



US00D515545S

(12) **United States Design Patent**  
**Griffin**

(10) **Patent No.:** **US D515,545 S**

(45) **Date of Patent:** **\*\* Feb. 21, 2006**

(54) **RADIO TRANSMITTER WHICH IS  
CONNECTABLE TO A COMPUTER OR AN  
MP3 PLAYER DEVICE**

D489,701 S \* 5/2004 Griffin ..... D14/155  
D501,192 S \* 1/2005 Griffin ..... D14/155  
D507,261 S \* 7/2005 Griffin ..... D14/226

(75) Inventor: **Paul Griffin**, Nashville, TN (US)

(73) Assignee: **Griffin Technology, Inc.**, Nashville, TN (US)

(\*\*) Term: **14 Years**

(21) Appl. No.: **29/205,144**

(22) Filed: **May 10, 2004**

(51) **LOC (8) Cl.** ..... **14-03**

(52) **U.S. Cl.** ..... **D14/155**

(58) **Field of Classification Search** ..... D14/358,  
D14/299, 248, 240, 218, 191, 188, 162, 155,  
D14/137; D13/168, 110, 144; D10/121, 104,  
D10/106; 439/851, 668, 490; 343/858; 455/353,  
455/351

See application file for complete search history.

(56) **References Cited**

**U.S. PATENT DOCUMENTS**

5,146,620 A \* 9/1992 Swikle et al. .... 455/351  
D415,123 S \* 10/1999 Murphy ..... D14/311  
D420,665 S \* 2/2000 Rosenberg et al. .... D14/188  
D445,705 S \* 7/2001 Kliegman et al. .... D10/104  
D446,143 S \* 8/2001 Kliegman et al. .... D10/104  
D446,499 S \* 8/2001 Andre et al. .... D13/110  
D464,959 S \* 10/2002 Do et al. .... D14/242  
D484,497 S \* 12/2003 Alviar et al. .... D14/240

**OTHER PUBLICATIONS**

Griffin Itrip Radio Transmitter [http://www.griffintechnology.com/products/itrip\\_mini/index.php](http://www.griffintechnology.com/products/itrip_mini/index.php) Aug. 11, 2005.\*

\* cited by examiner

*Primary Examiner*—Cathron C. Brooks

*Assistant Examiner*—Austin Murphy

(74) *Attorney, Agent, or Firm*—Michael E. McKee

(57) **CLAIM**

The ornamental design for a radio transmitter which is connectable to a computer or an MP3 player device, as shown and described.

**DESCRIPTION**

FIG. 1 is a perspective view of a radio transmitter showing my new design;

FIG. 2 is top view thereof;

FIG. 3 is a front elevational view thereof;

FIG. 4 is a side elevational view thereof as seen from the left in FIG. 3;

FIG. 5 is a side elevational view thereof as seen from the right in FIG. 3;

FIG. 6 is a back elevational view thereof; and,

FIG. 7 is a bottom view thereof as seen from below in FIG. 3.

**1 Claim, 2 Drawing Sheets**

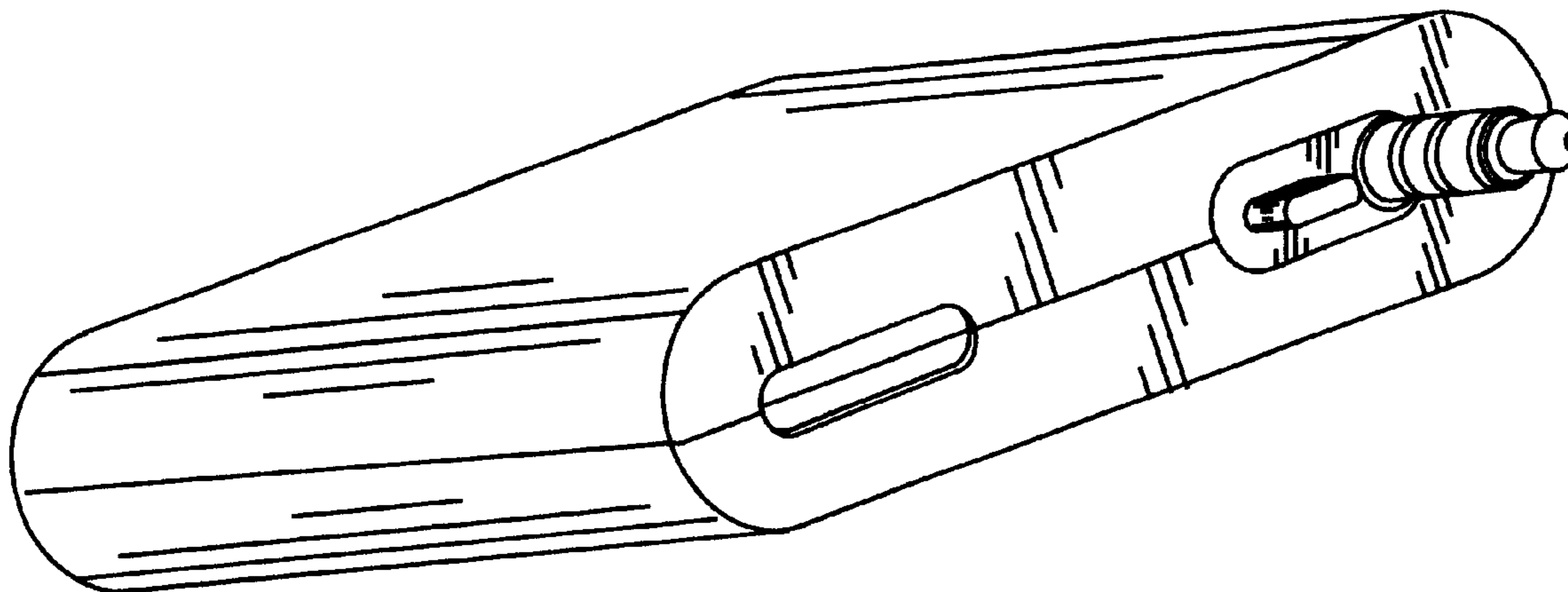


FIG. 1

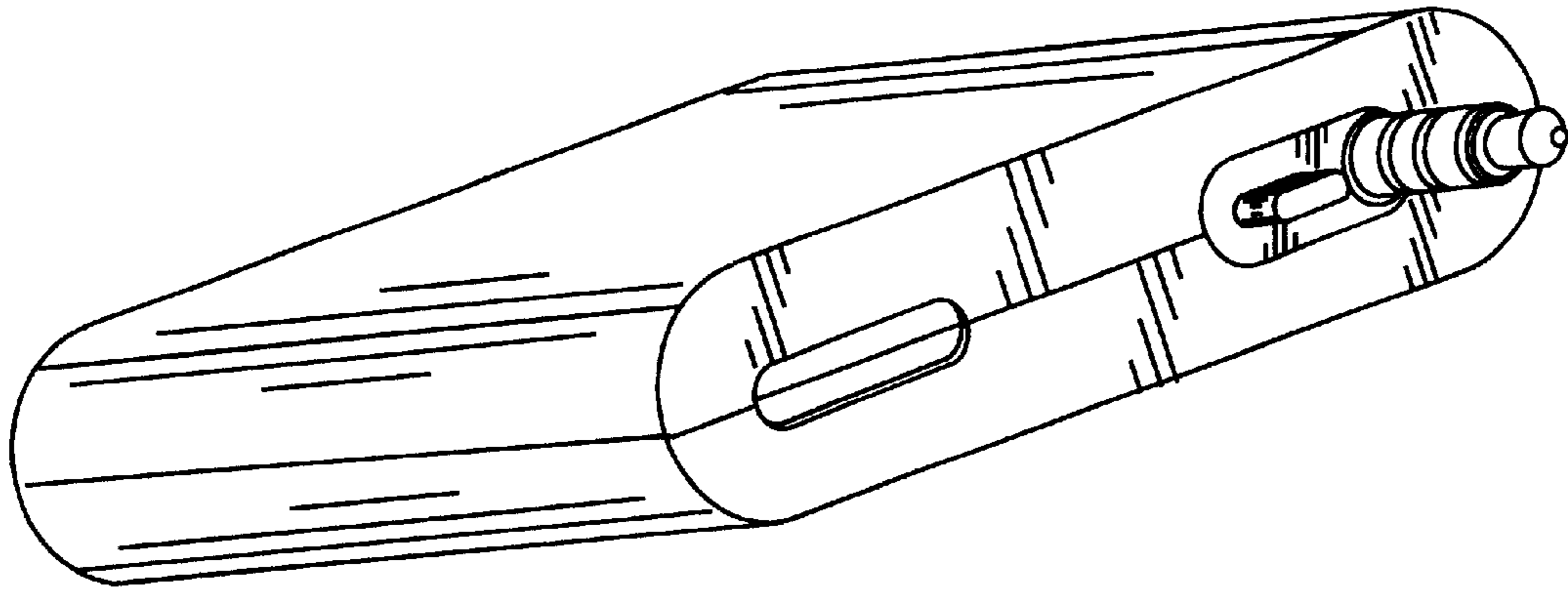


FIG. 2

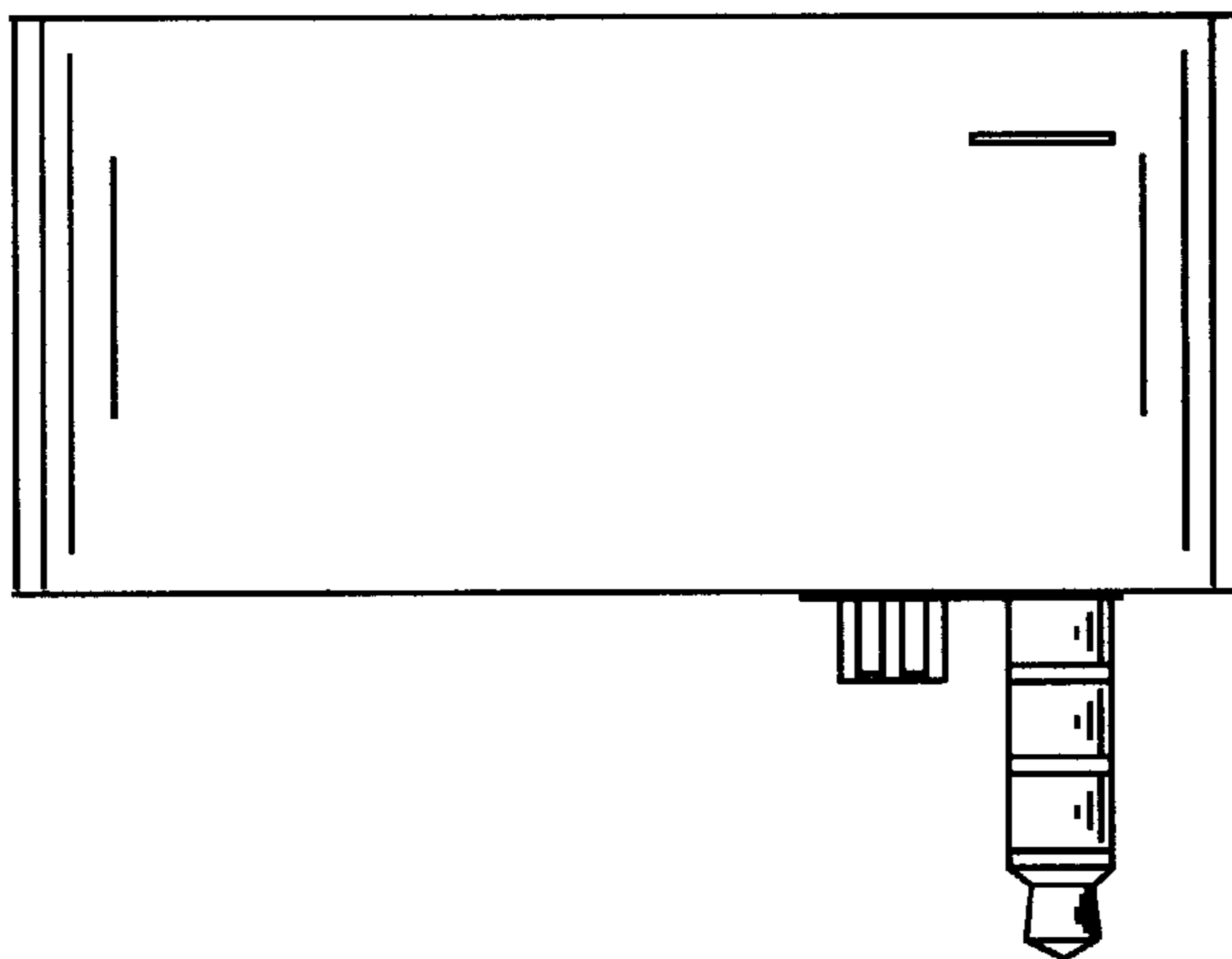


FIG. 3

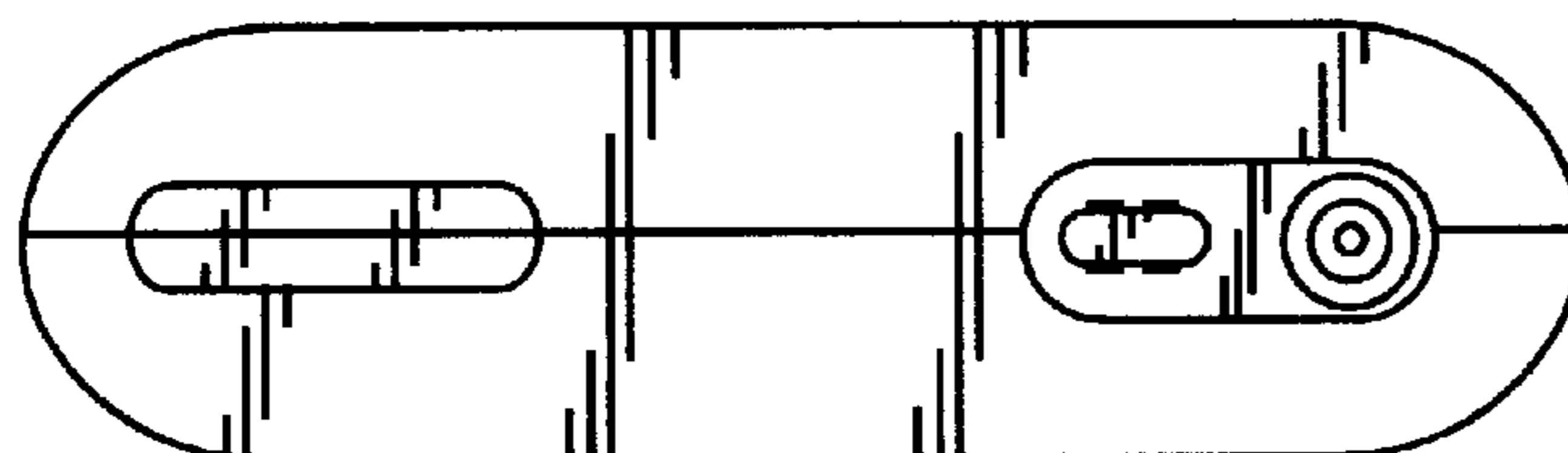


FIG. 4

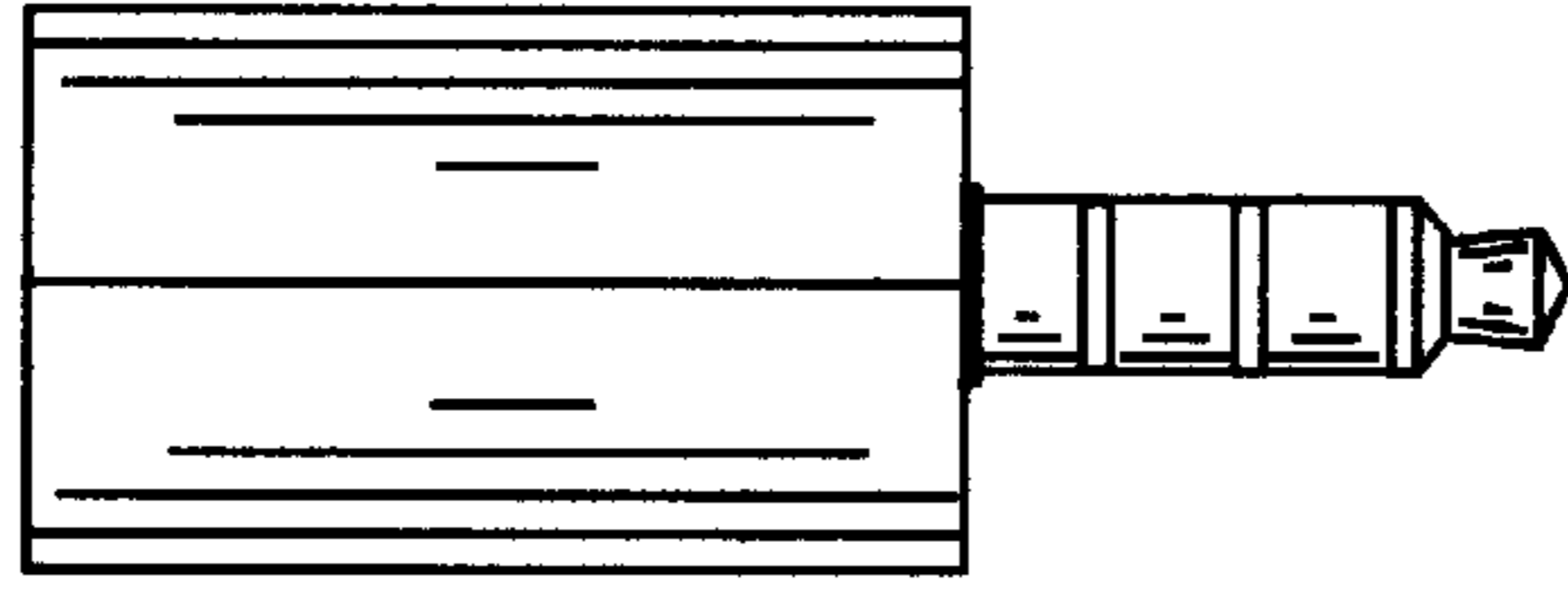


FIG. 5

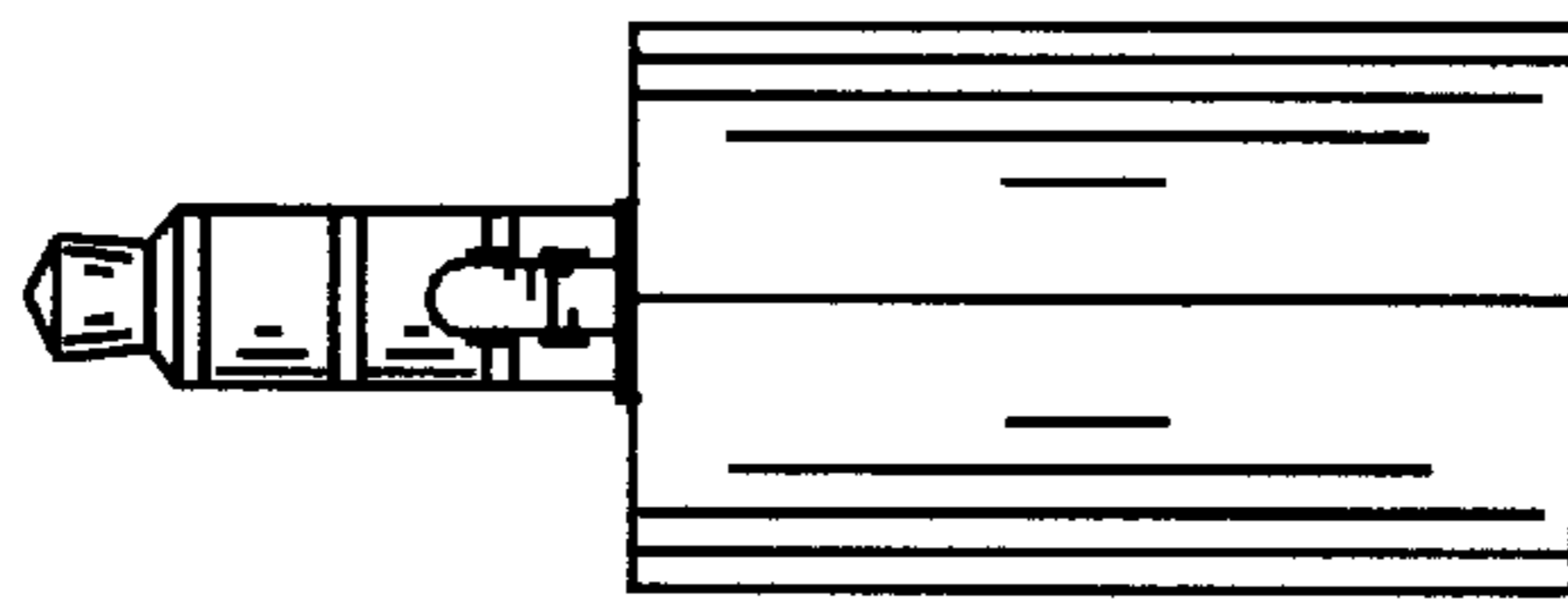


FIG. 6

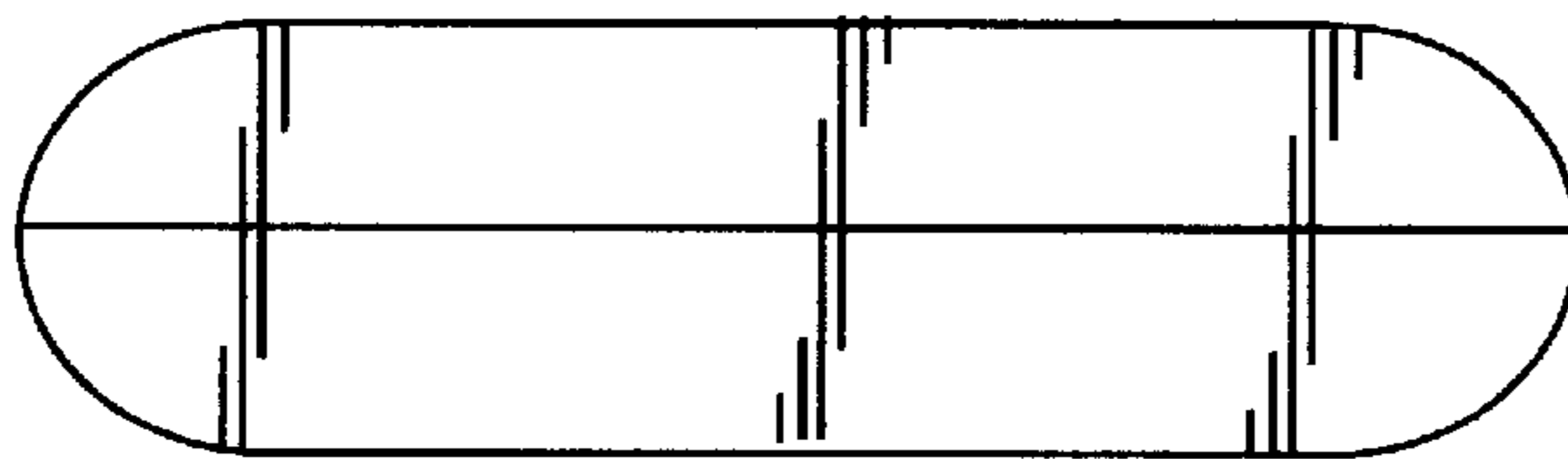


FIG. 7

