



US00D51528S

(12) **United States Design Patent**
Miyazawa et al.

(10) **Patent No.: US D515,528 S**
(45) **Date of Patent: ** Feb. 21, 2006**

(54) **MOBILE PHONE**

WO DM/065946 * 9/2004

(75) Inventors: **Takayuki Miyazawa**, Zushi (JP);
Mihoko Hotta, Kawasaki (JP)

OTHER PUBLICATIONS

(73) Assignee: **Matsushita Electric Industrial Co., Ltd.**, Osaka (JP)

Mobile Phone G60. Press release [online]. Panasonic, Mar. 10, 2003 [retrieved Jan. 14, 2004]. Retrieved from the internet: http://www.panasonic-europe.com/news/frame_press_detail.asp?i=81&PressID=100&srch=&view=&PressDate=20030310.

(**) Term: **14 Years**

Mobile Phone G50. Press release [online]. Panasonic, Mar. 11, 2003 [retrieved Jan. 14, 2004]. Retrieved from the internet: http://www.panasonic-europe.com/news/frame_press_detail.asp?i=03&PressID=65&srch=G50&view=live&PressDate=20030311.

(21) Appl. No.: **29/207,272**

(22) Filed: **Jun. 10, 2004**

(51) **LOC (8) Cl. 14-03**

(52) **U.S. Cl. D14/138**

(58) **Field of Classification Search** D14/137,
D14/138, 147-148, 247-248, 144, 341-347;
379/433.01-433.13, 434; 455/575.1, 566,
455/556.1; D21/517

Primary Examiner—Jeffrey Asch

(74) *Attorney, Agent, or Firm*—Brinks Hofer Gilson & Lione

See application file for complete search history.

(57) **CLAIM**

We claim the ornamental design for a mobile phone, as shown and described.

(56) **References Cited**

DESCRIPTION

U.S. PATENT DOCUMENTS

D321,184 S 10/1991 Colida
D374,872 S 10/1996 Scianna, Sr. et al.
D376,142 S 12/1996 Matsumoto
D393,857 S 4/1998 Park

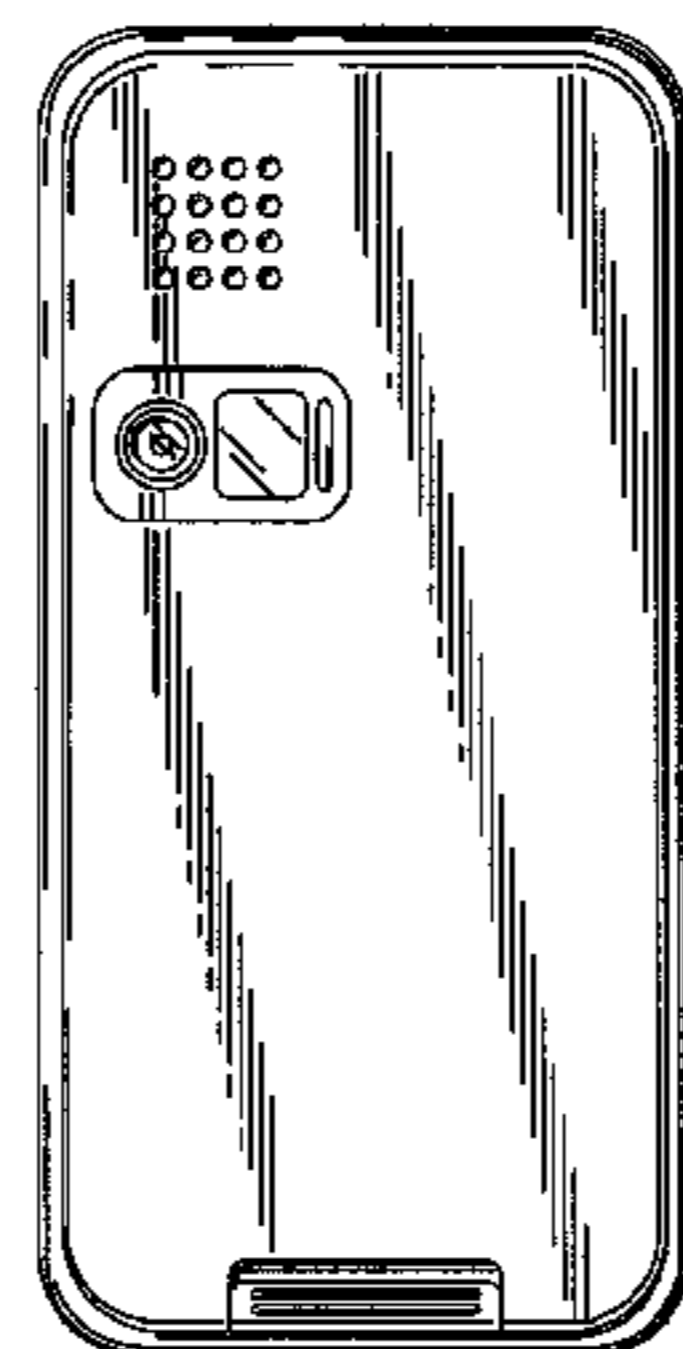
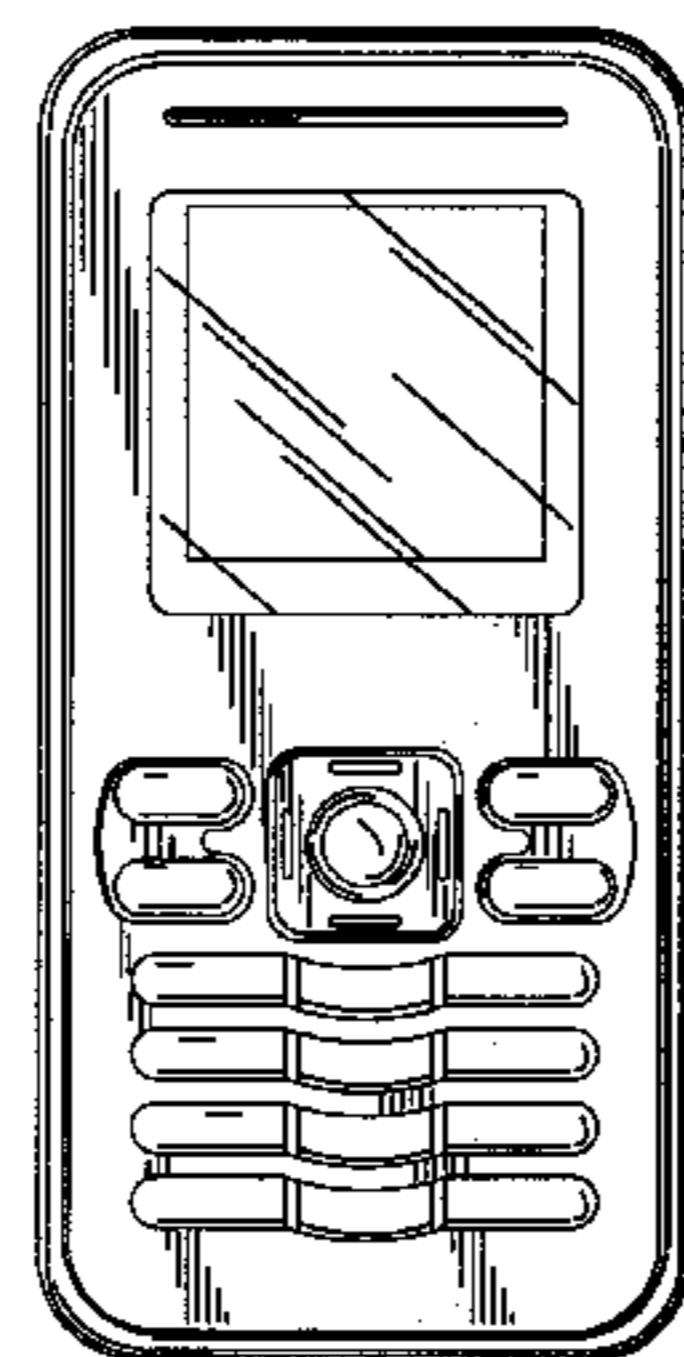
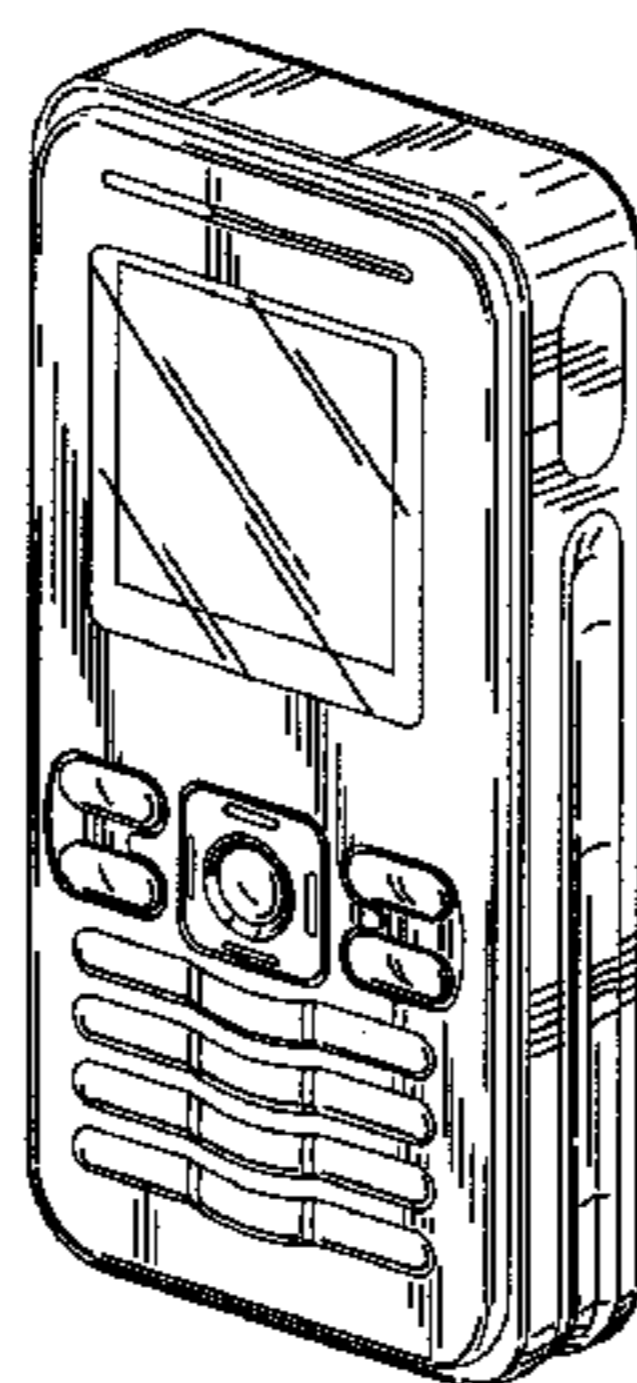
FIG. 1 is a top front perspective view of a mobile phone of the present invention;
FIG. 2 is a front elevation view thereof;
FIG. 3 is a top view thereof;
FIG. 4 is a first side elevation view thereof;
FIG. 5 is a bottom view thereof;
FIG. 6 is a second side elevation view thereof; and,
FIG. 7 is a rear elevation view thereof.

(Continued)

FOREIGN PATENT DOCUMENTS

JP D1155155 10/2002
WO DM/055620 * 4/2001
WO DM/060792 * 6/2002

1 Claim, 3 Drawing Sheets



US D515,528 S

Page 2

U.S. PATENT DOCUMENTS

6,006,074 A	12/1999	De Larminat et al.	D484,475 S	*	12/2003	Sheu	D14/138
6,014,552 A	1/2000	Aiken et al.	D485,819 S	*	1/2004	Ahlgren	D14/138
D425,057 S	5/2000	Finkbeiner	D487,069 S	*	2/2004	Thaler et al.	D14/138
6,084,962 A	7/2000	Plenge	D487,572 S		3/2004	Munstermann		
6,108,417 A	8/2000	Thomas et al.	D487,734 S		3/2004	Peng et al.		
D436,583 S	1/2001	Newby et al.	D488,789 S		4/2004	Lee		
D447,127 S	8/2001	Lee	D492,274 S	*	6/2004	Widiaman	D14/138
D448,355 S	9/2001	Higashi et al.	D496,645 S	*	9/2004	Yoo et al.	D14/138
D451,079 S	11/2001	Ali	D497,892 S	*	11/2004	Peng	D14/138
D455,134 S	4/2002	Kolinen	D500,992 S	*	1/2005	Shen et al.	D14/138
D458,595 S	6/2002	Yin et al.	D502,158 S	*	2/2005	Miyazawa et al.	D14/138
D459,324 S	6/2002	Ahlgren	D502,160 S	*	2/2005	Chen et al.	D14/138
D459,327 S	6/2002	Ali	D505,932 S	*	6/2005	Eckholm et al.	D14/138
D469,748 S	2/2003	Ribeiro et al.	2003/0181225 A1	*	9/2003	Hasegawa et al.	455/566
D470,467 S	2/2003	Maruska et al.	2003/0216150 A1	*	11/2003	Ueda	455/552.1
D476,300 S	6/2003	Pottie et al.	2004/0023682 A1	*	2/2004	Lee et al.	455/550.1
D478,883 S	*	8/2003	2004/0087346 A1		5/2004	Johannsen et al.		
D479,216 S		9/2003	2004/0162118 A1	*	8/2004	Park et al.	455/575.1
D479,514 S	*	9/2003	2004/0204060 A1	*	10/2004	Makinouchi et al.	455/556.1
D480,057 S		9/2003	2005/0014537 A1	*	1/2005	Gammon et al.	455/575.1
D481,691 S		11/2003	2005/0119031 A1	*	6/2005	Spalink et al.	455/566

* cited by examiner

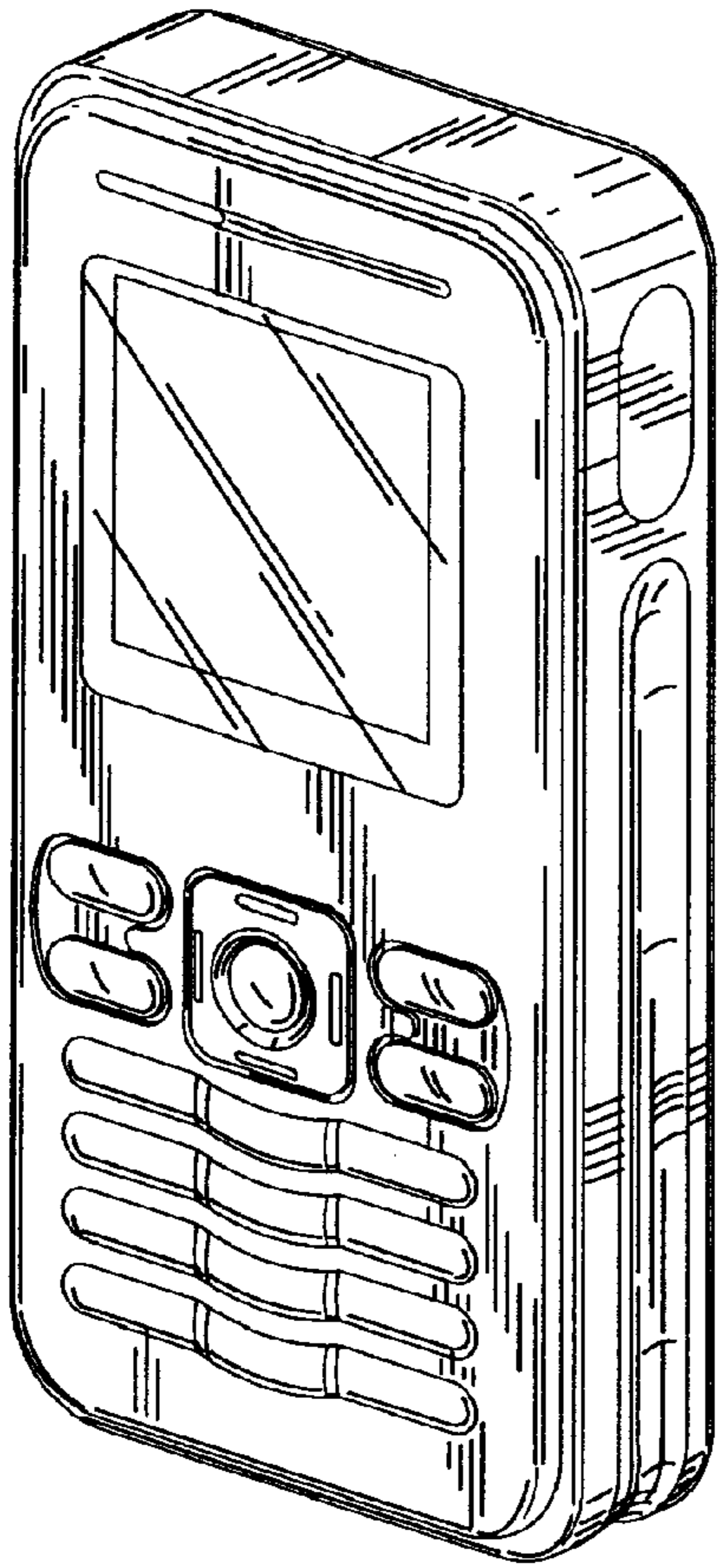


FIG. 1

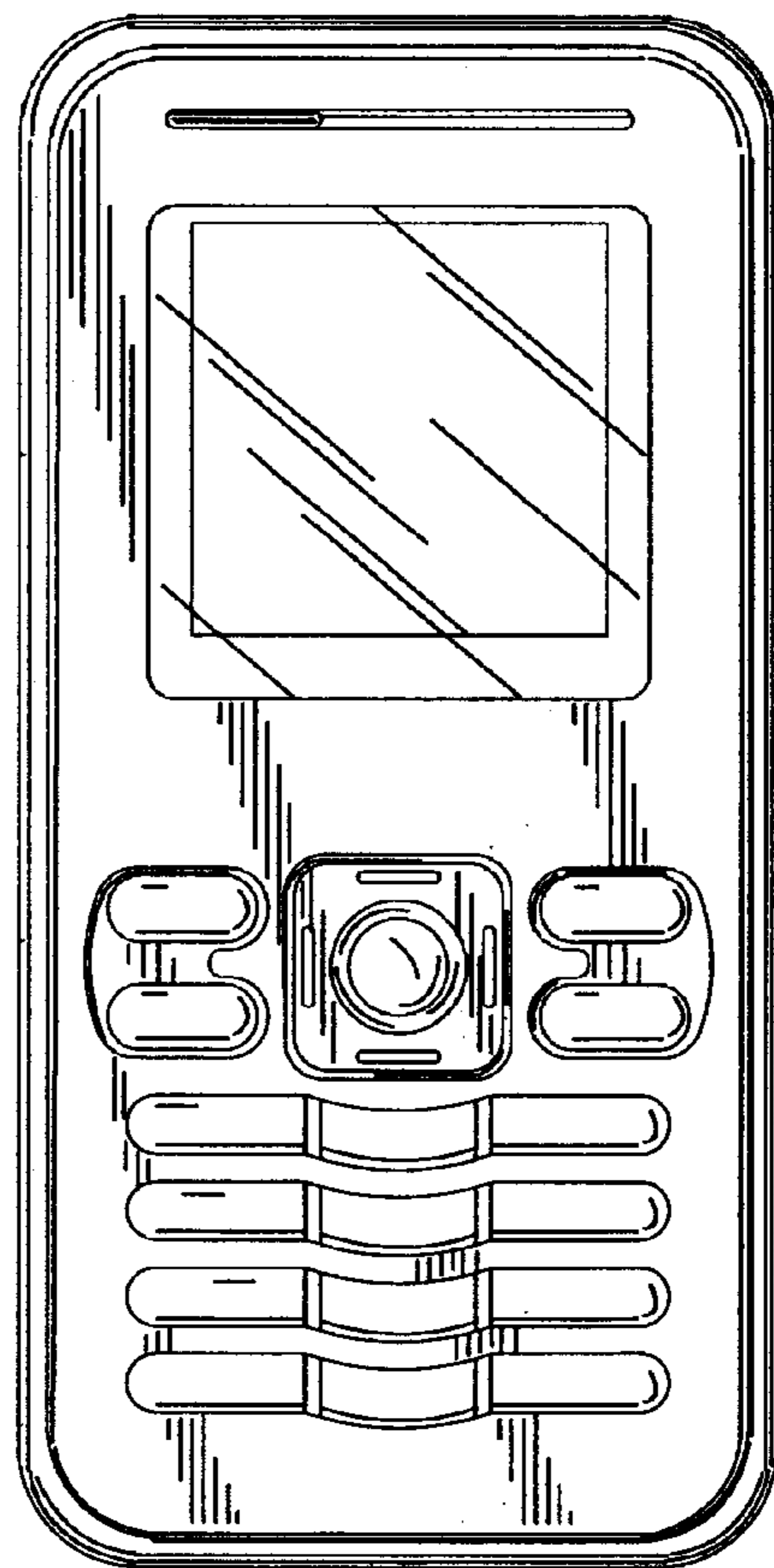


FIG. 2

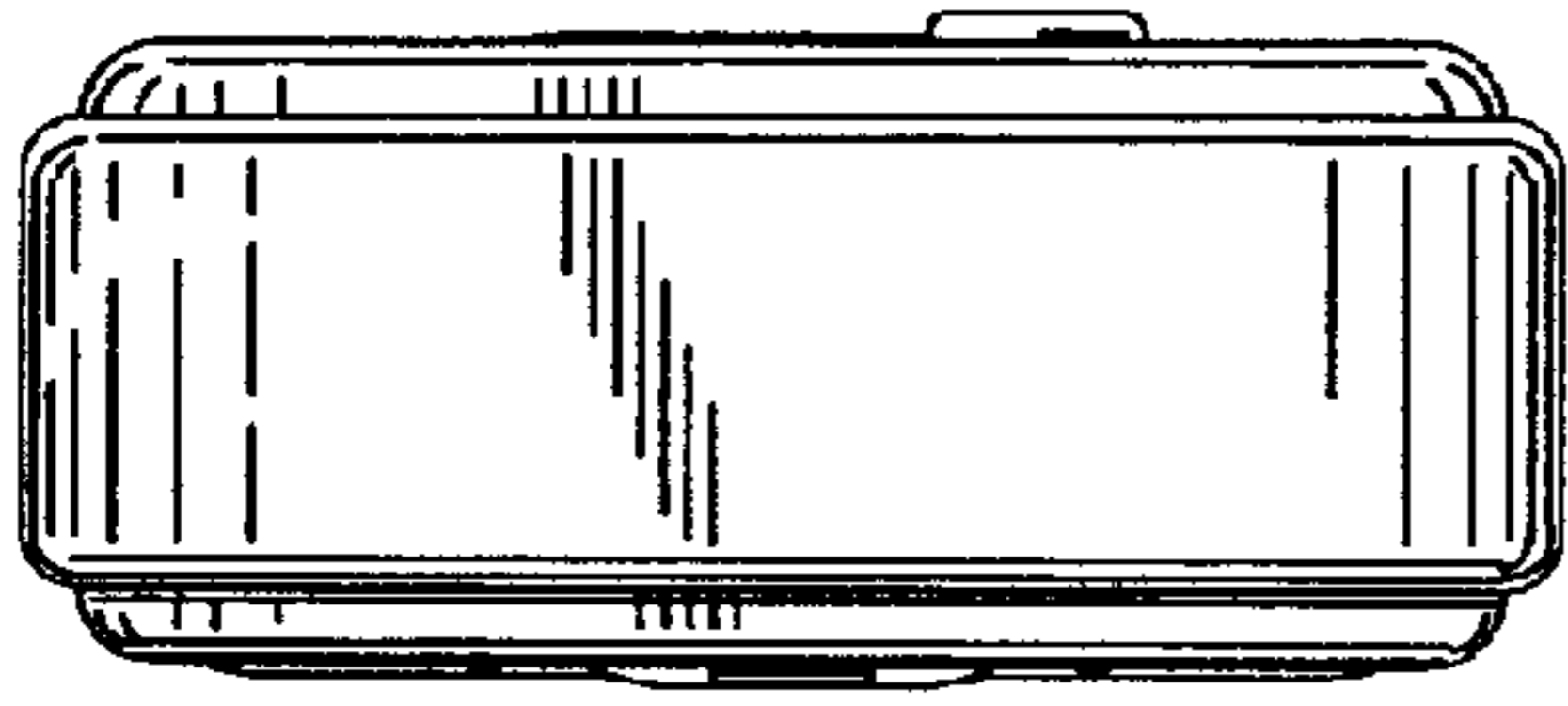


FIG. 3

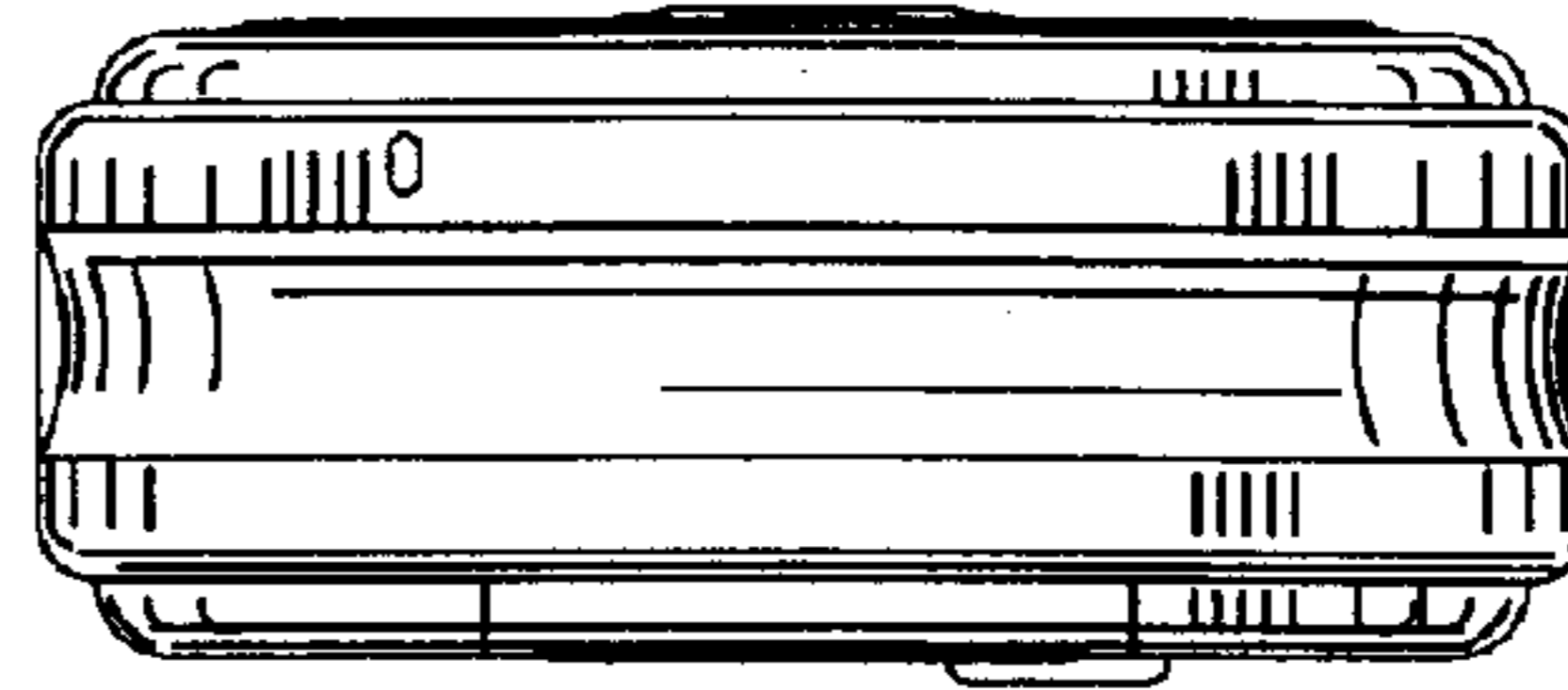


FIG. 5

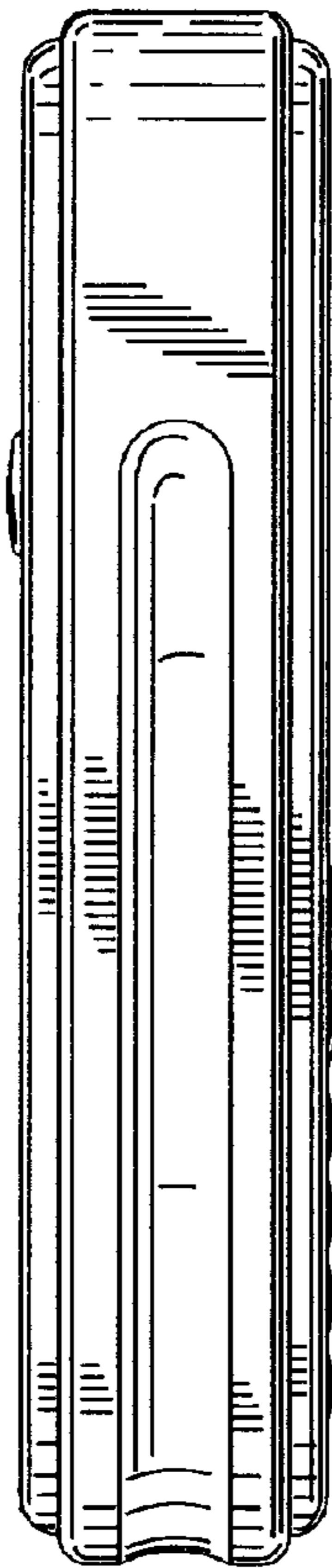


FIG. 4



FIG. 6

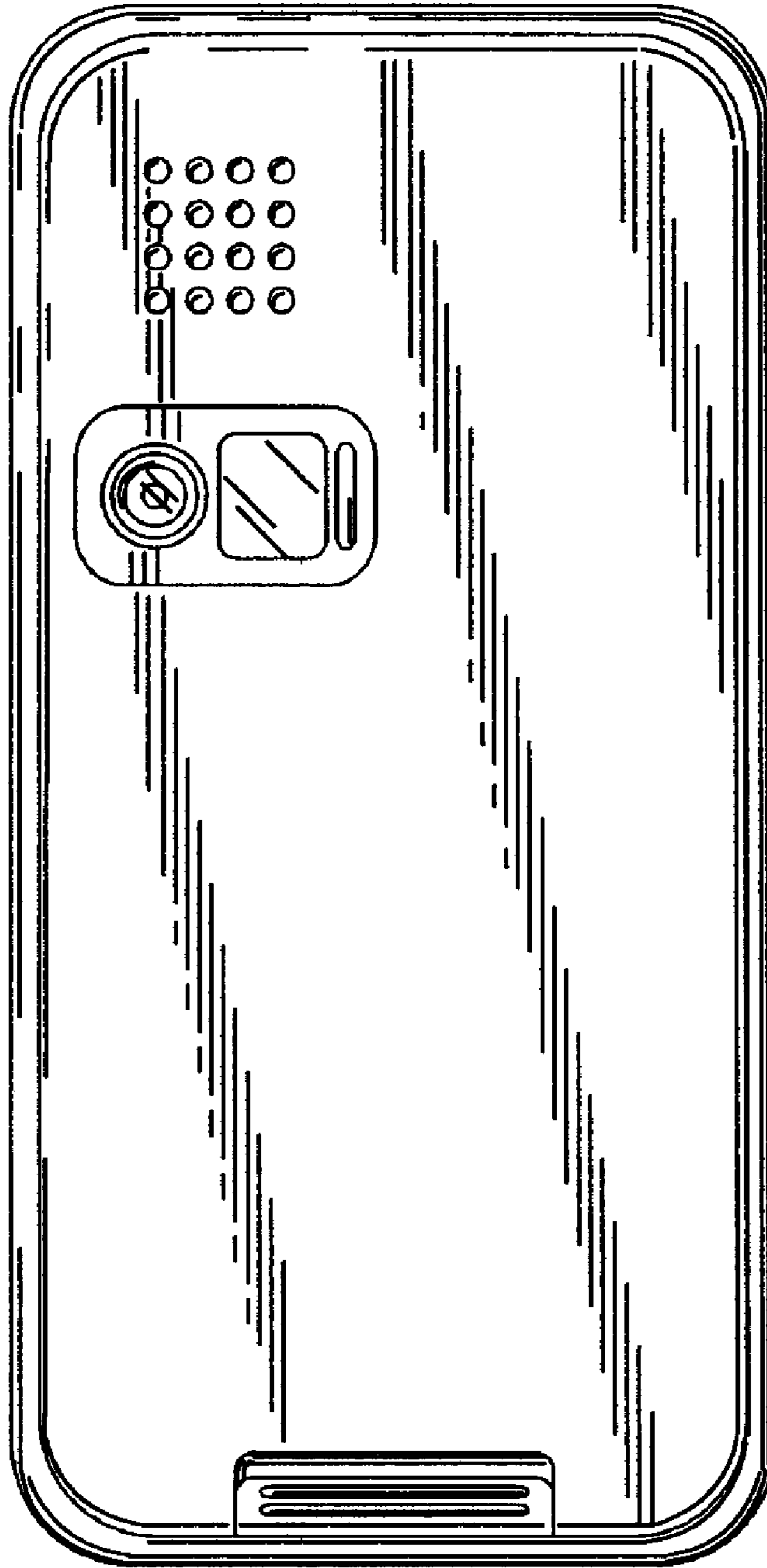


FIG. 7