



US00D515527S

(12) **United States Design Patent**
Swallow

(10) **Patent No.: US D515,527 S**
(45) **Date of Patent: ** Feb. 21, 2006**

- (54) **PERSONAL ELECTRONIC COMMUNICATIONS DEVICE**
- (75) Inventor: **Craig Swallow, Penn (GB)**
- (73) Assignee: **Connexion2 Limited, Sheffield (GB)**
- (**) Term: **14 Years**

D379,098 S	*	5/1997	Lin	D18/2
D380,694 S	*	7/1997	Seki et al.	D10/104
D382,558 S	*	8/1997	Flick	D14/191
D391,878 S	*	3/1998	Alleyne	D10/104
D392,202 S	*	3/1998	Nitzberg	D10/106
D399,844 S	*	10/1998	Scheid et al.	D14/191

(Continued)

FOREIGN PATENT DOCUMENTS

WO DM/048682 * 5/1999

OTHER PUBLICATIONS

www.connexion2.com, identicom device shown therein, ©2005, site visited Mar. 22 and Mar. 28, 2005, 1. pg.*

Primary Examiner—Jeffrey Asch
(74) *Attorney, Agent, or Firm*—Robert W. J. Usher

(57) **CLAIM**

The ornamental design for a personal electronic communications device, as shown and described.

DESCRIPTION

The personal electronic communications device is carried or worn, attached by a lanyard in portrait or landscape positions, or by a lapel clip, by an individual such as a guard, doctor or social worker in a potentially hazardous/risky situation. An identification card can be inserted through a slot in the right side to extend across the front.

FIG. 1 is a top front and right side perspective view of a personal electronic communications device showing my new design;

FIG. 2 is a front view thereof;

FIG. 3 is a rear view thereof;

FIG. 4 is a top view thereof;

FIG. 5 is a bottom view thereof;

FIG. 6 is a left side view thereof; and,

FIG. 7 is a right side view thereof.

1 Claim, 7 Drawing Sheets

- (21) Appl. No.: **29/189,472**
- (22) Filed: **Sep. 4, 2003**
- (30) **Foreign Application Priority Data**

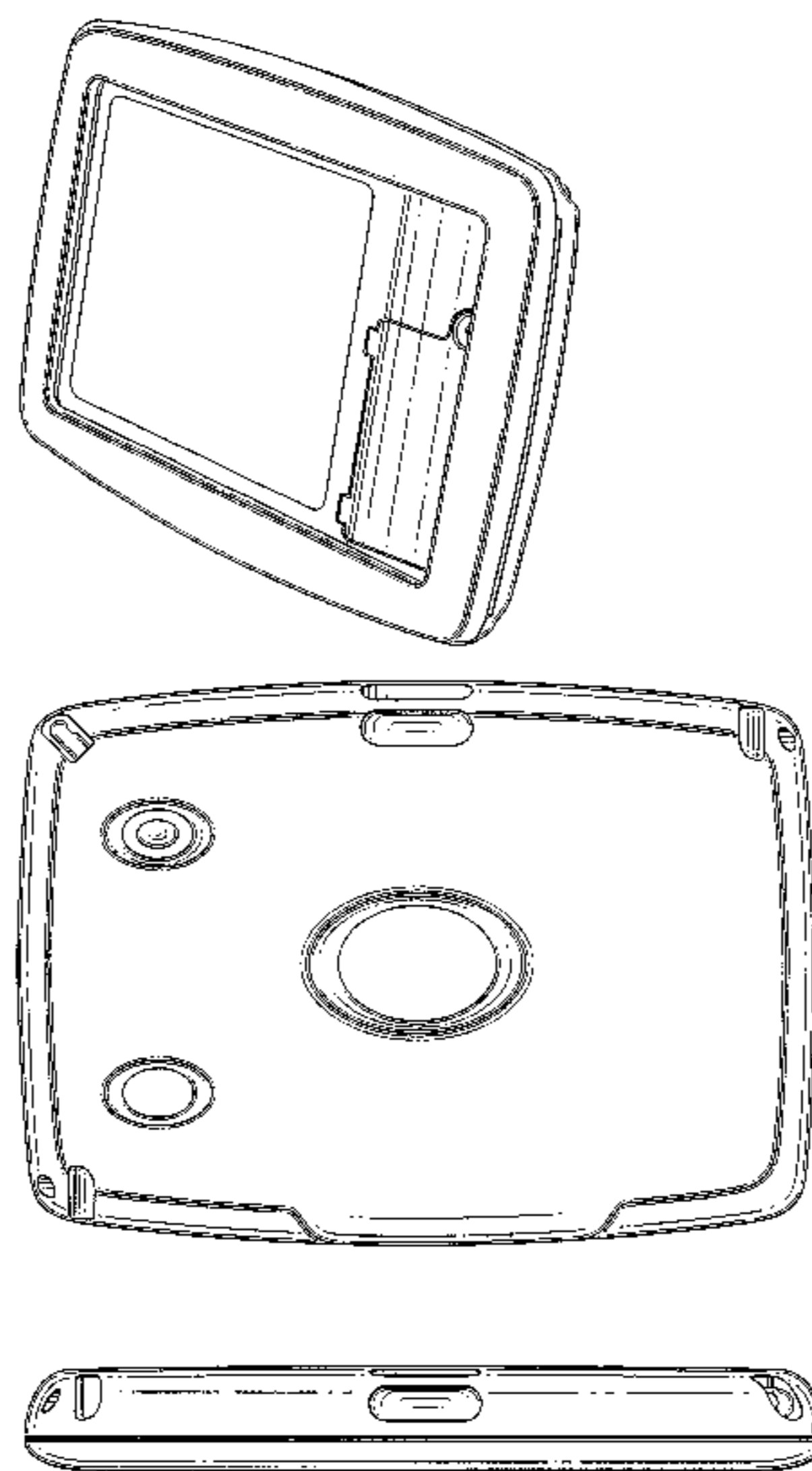
Mar. 7, 2003	(GB)	3011426
Aug. 9, 2003	(GB)	3014012

- (51) **LOC (8) Cl.** **14-03**
- (52) **U.S. Cl.** **D14/137; D10/104; D14/191**
- (58) **Field of Classification Search** **D14/137, D14/191, 383-385, 496, 188, 240, 192, 194, D14/197, 198, 225, 159, 155, 436; 340/539.11, 340/573.3, 573.4, 573.1; 361/814; 455/90.3, 455/575.1, 347-349, 351, 90.2; D3/247, D3/249; D10/104, 106**
See application file for complete search history.

(56) **References Cited**

U.S. PATENT DOCUMENTS

D274,065 S	*	5/1984	Goutchat	D19/78
D303,529 S	*	9/1989	Scheid et al.	D14/191
D310,082 S	*	8/1990	Kehl et al.	D14/227
D314,865 S	*	2/1991	Tuisku	D3/247
D332,274 S	*	1/1993	Peersmann	D18/2
D352,504 S	*	11/1994	Scheid et al.	D14/191
5,365,217 A	*	11/1994	Toner	340/539.11
D358,153 S	*	5/1995	Jackson	D14/245
5,457,440 A	*	10/1995	Daddono	340/573.4
D369,807 S	*	5/1996	Lloyd et al.	D14/191
D373,358 S	*	9/1996	Sherwood	D14/191
D377,458 S	*	1/1997	Tsui	D10/104
D378,369 S	*	3/1997	Behlke	D14/137



US D515,527 S

Page 2

U.S. PATENT DOCUMENTS

D403,858 S	*	1/1999	Wicks	D3/249	D486,806 S	*	2/2004	Takayama et al.	D14/137
5,898,367 A	*	4/1999	Berube	340/505	D486,807 S	*	2/2004	Takayama et al.	D14/137
D412,455 S	*	8/1999	Greene	D10/104	D491,157 S	*	6/2004	Terashima et al.	D14/138
D415,704 S	*	10/1999	Carroll	D10/104	D494,489 S	*	8/2004	Tulloch	D10/106
D431,486 S	*	10/2000	Iseli et al.	D10/106	D496,031 S	*	9/2004	Ma et al.	D14/240
D431,719 S	*	10/2000	Mucarquer	D3/247	D496,345 S	*	9/2004	Shively	D14/188
D435,472 S	*	12/2000	Dixon	D10/106	D501,208 S	*	1/2005	Ozolins et al.	D14/383
D453,515 S	*	2/2002	Brewer et al.	D14/436	2003/0045279 A1	*	3/2003	Shostak	455/422
D470,657 S	*	2/2003	Kawamura	D3/247						

* cited by examiner

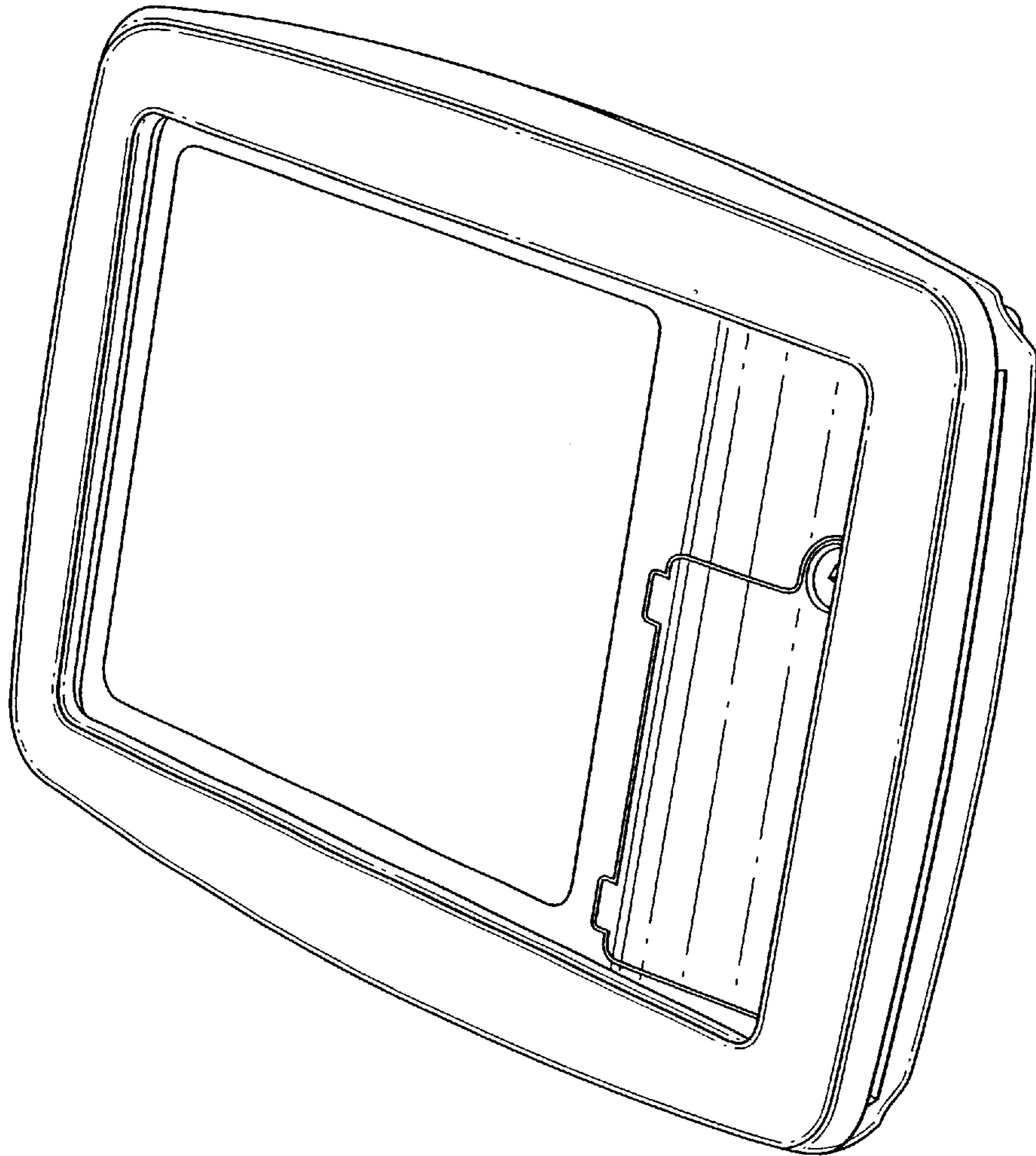


FIG. 1

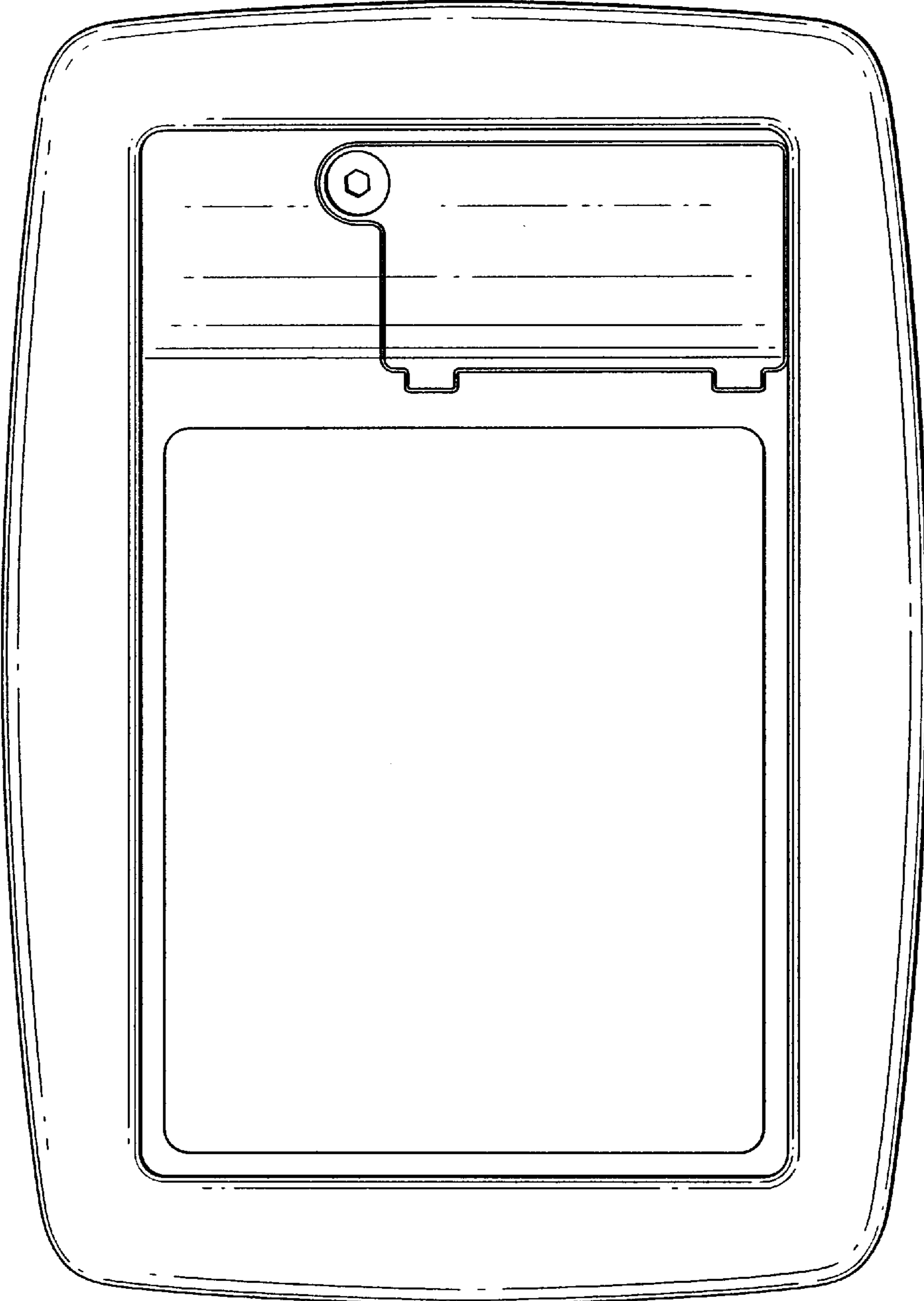


FIG. 2

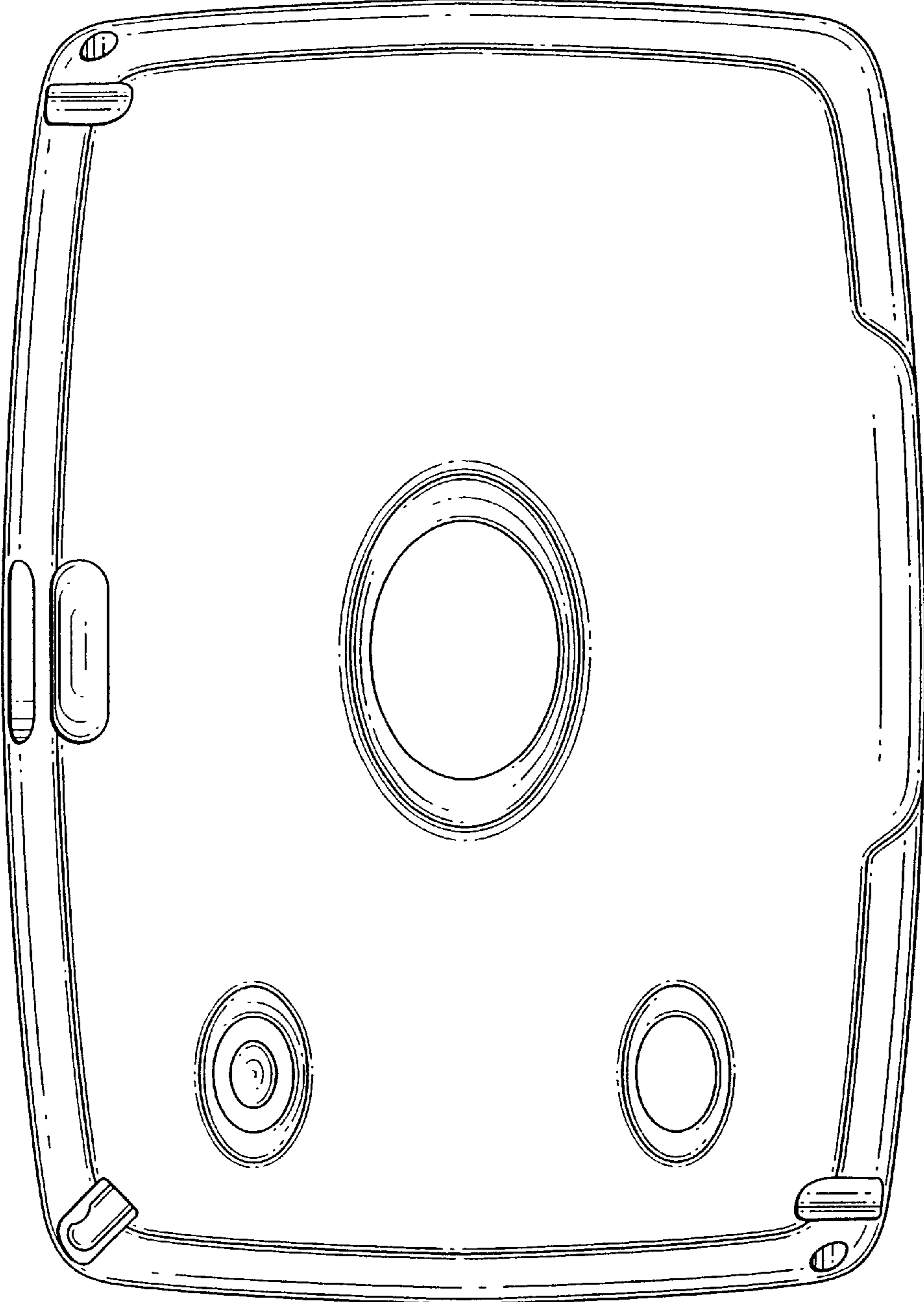


FIG. 3

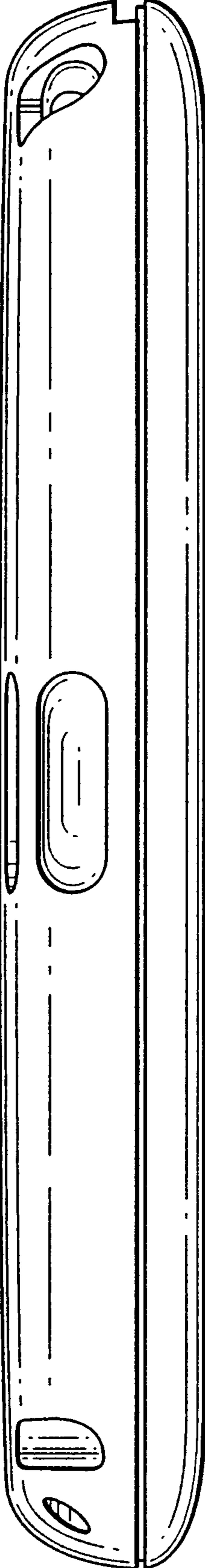


FIG. 4

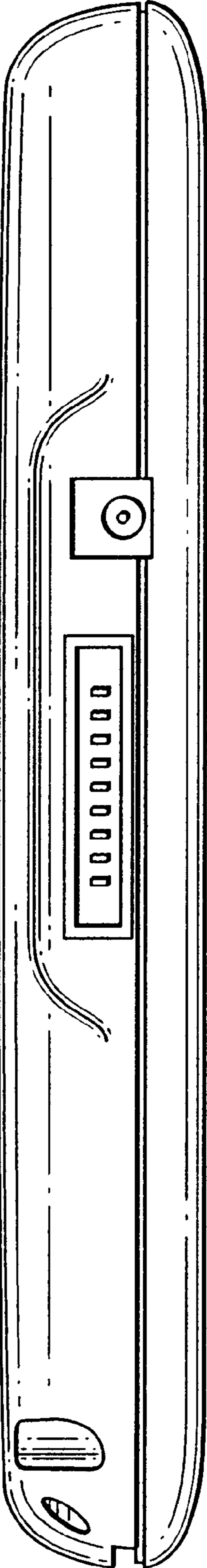


FIG. 5

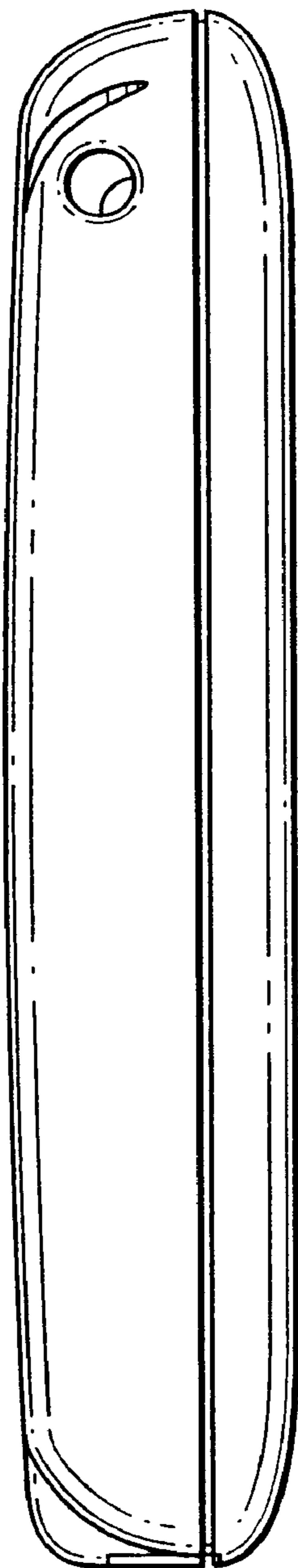


FIG. 6

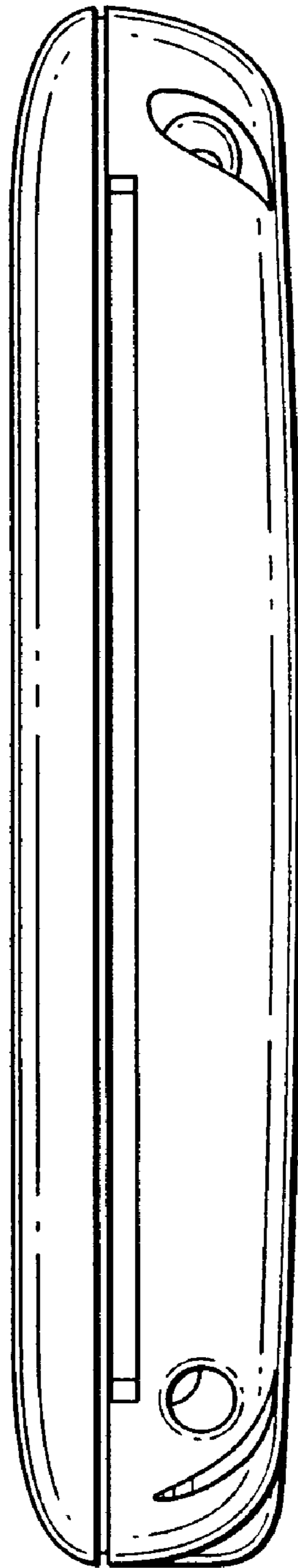


FIG. 7