



US00D515525S

(12) **United States Design Patent**
Bao

(10) **Patent No.:** **US D515,525 S**

(45) **Date of Patent:** **** Feb. 21, 2006**

(54) **VIDEO DISC PLAYER**

(75) **Inventor:** **Wen-Jie Bao**, Shenzhen (CN)

(73) **Assignee:** **Hon Hai Precision Ind. Co., Ltd.**,
Taipei Hsien (TW)

(**) **Term:** **14 Years**

(21) **Appl. No.:** **29/212,460**

(22) **Filed:** **Aug. 31, 2004**

(30) **Foreign Application Priority Data**

Apr. 7, 2004 (CN) 2004300381212

(51) **LOC (8) Cl.** **14-01**

(52) **U.S. Cl.** **D14/136**

(58) **Field of Classification Search** D14/135-136,
D14/156-157, 160-165, 167-168, 192-198,
D14/188, 217, 257, 258, 445; 360/99.02,
360/99.07; 369/75.11, 75.21, 77.21, 77.11;
720/612, 619, 647, 655; 455/344, 347-351

See application file for complete search history.

(56) **References Cited**

U.S. PATENT DOCUMENTS

D313,799 S * 1/1991 Shim D14/135

D327,676 S * 7/1992 Yang D14/135

5,859,828 A * 1/1999 Ishibashi 720/655

D459,709 S * 7/2002 Kojima et al. D14/136

D466,876 S * 12/2002 Usami et al. D14/136

D475,036 S * 5/2003 Tejima D14/168

D480,693 S * 10/2003 Johansson et al. D14/136

D483,728 S * 12/2003 Kim D14/136

* cited by examiner

Primary Examiner—Nanda Bondade

(74) *Attorney, Agent, or Firm*—Wei Te Chung

(57) **CLAIM**

The ornamental design for a video disc player, as shown.

DESCRIPTION

FIG. 1 is a top, front and right side perspective view of a video disc player showing my new design;

FIG. 2 is a front elevational view thereof;

FIG. 3 is a rear elevational view thereof;

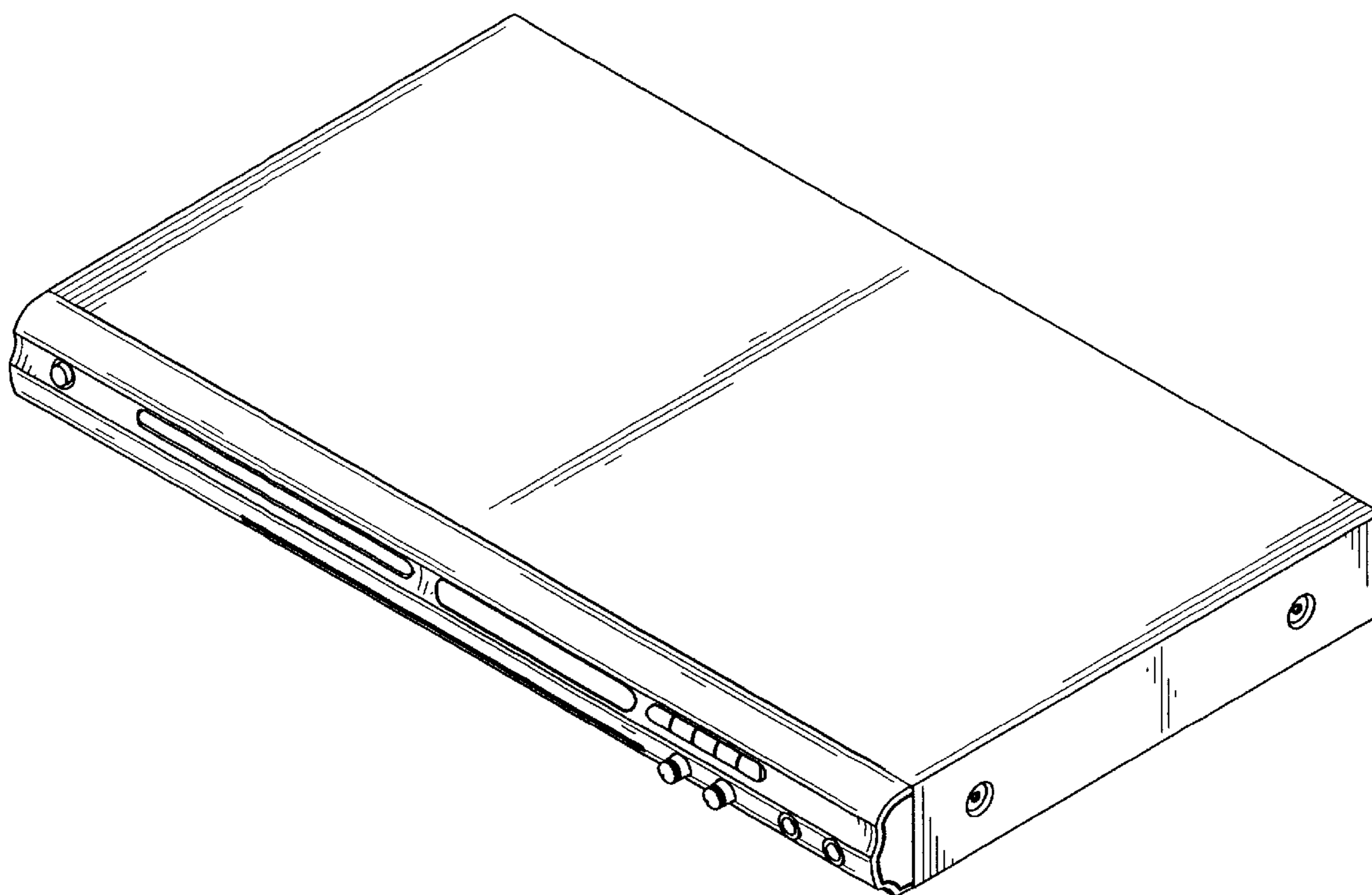
FIG. 4 is a left side elevational view thereof;

FIG. 5 is a right side elevational view thereof;

FIG. 6 is a top plan view thereof; and,

FIG. 7 is a bottom plan view thereof.

1 Claim, 5 Drawing Sheets



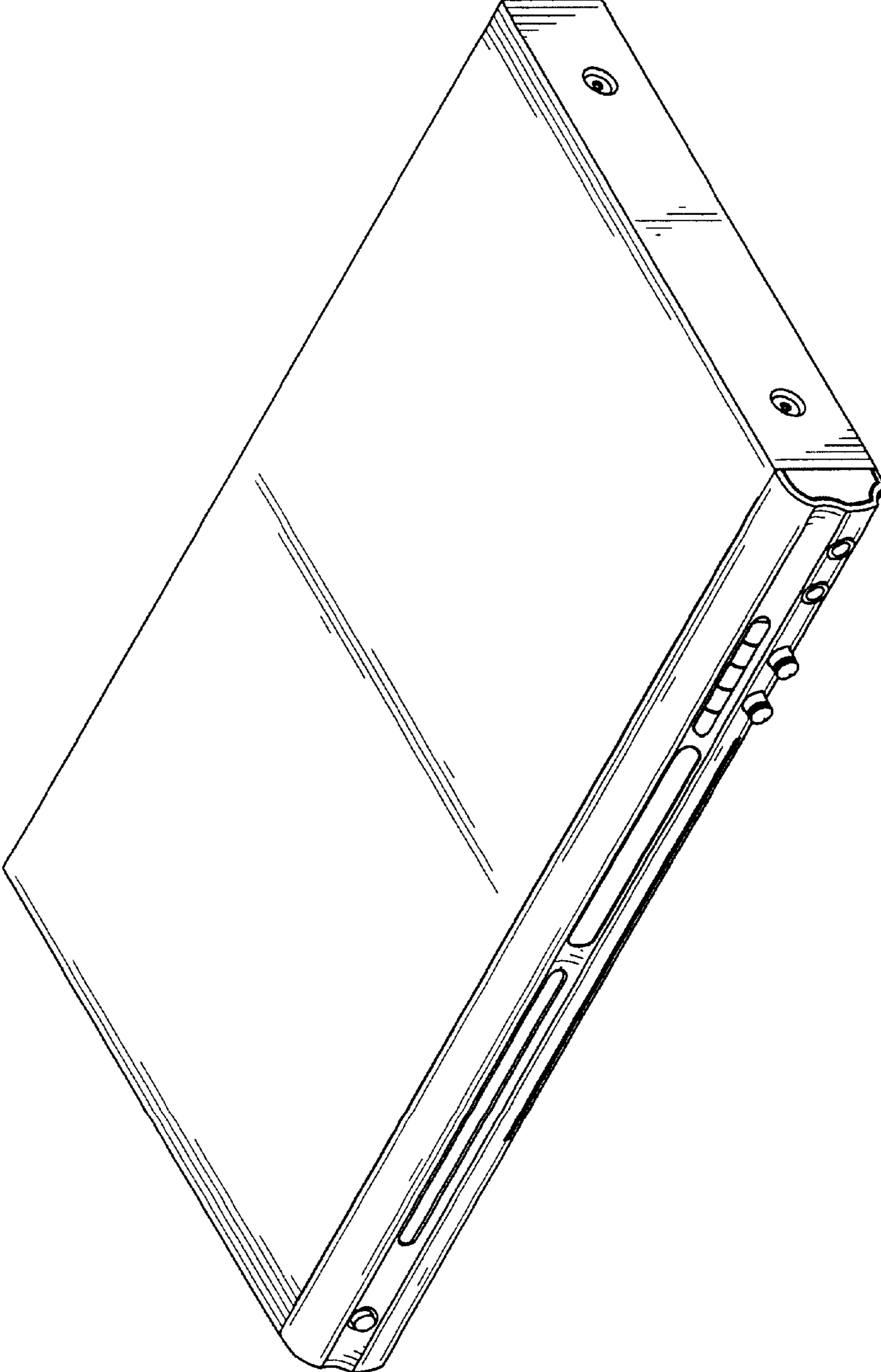


FIG. 1

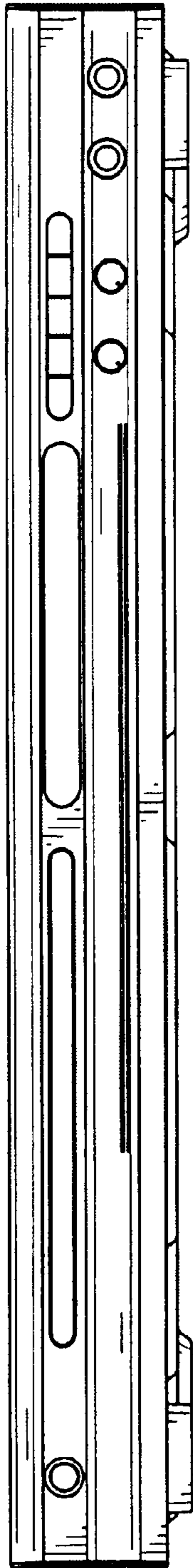


FIG. 2

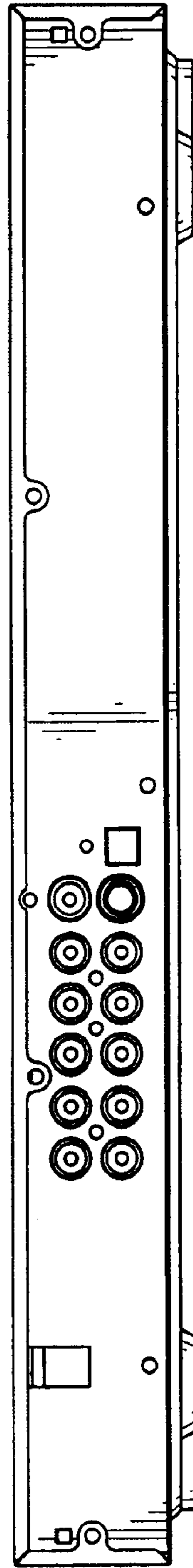


FIG. 3

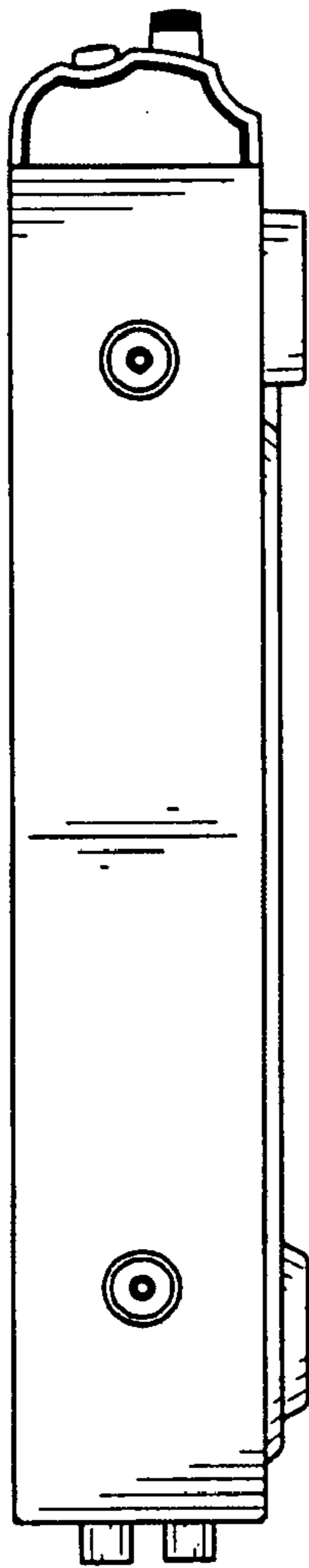


FIG. 4

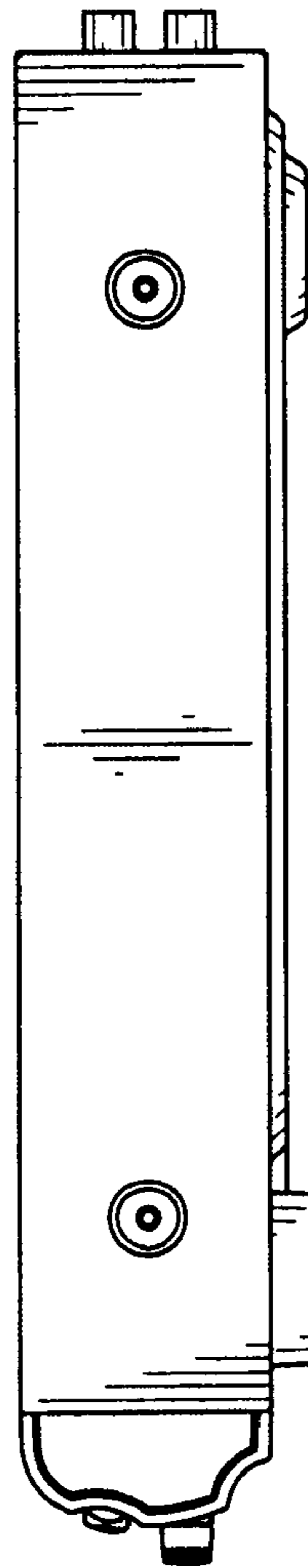


FIG. 5

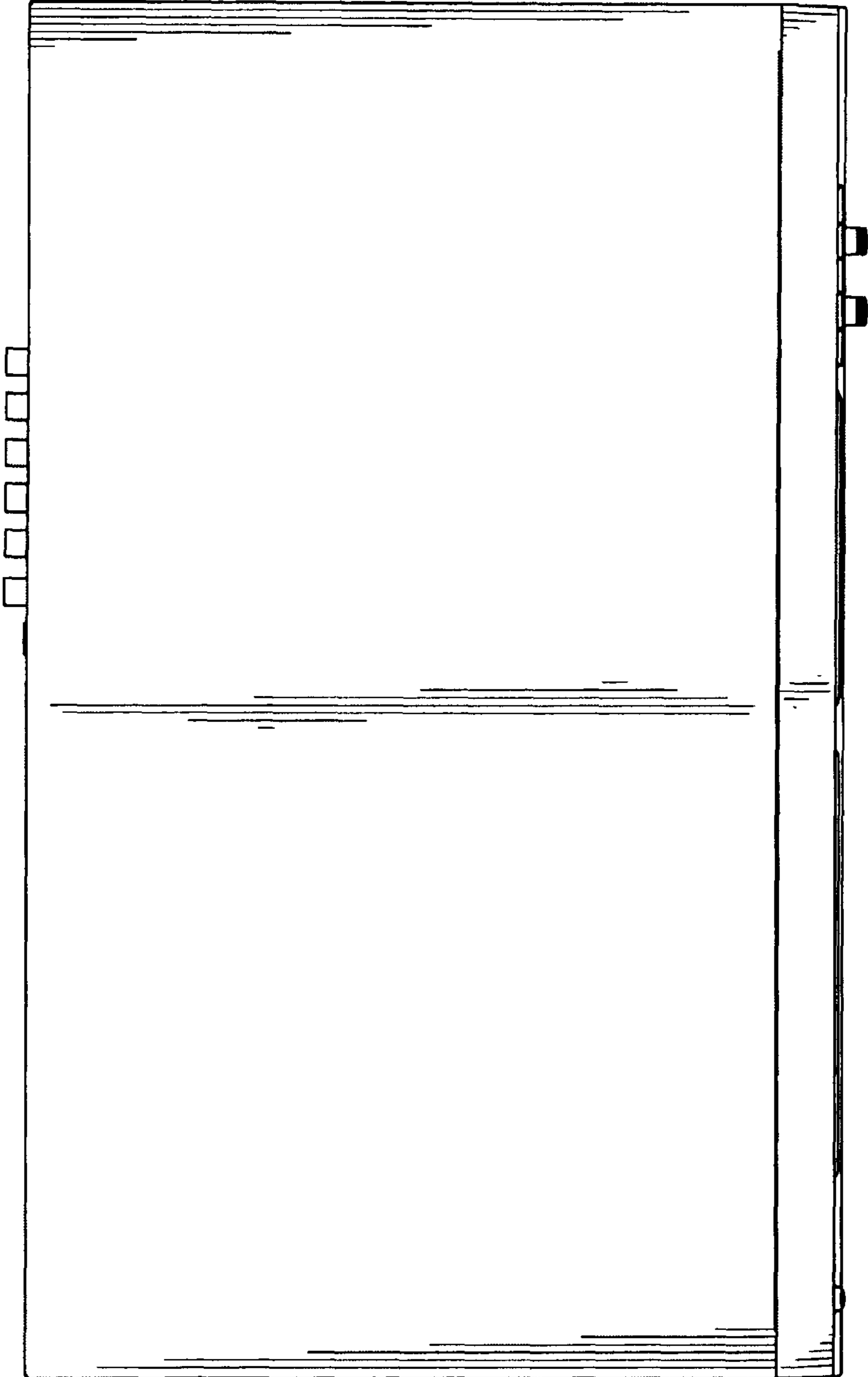


FIG. 6

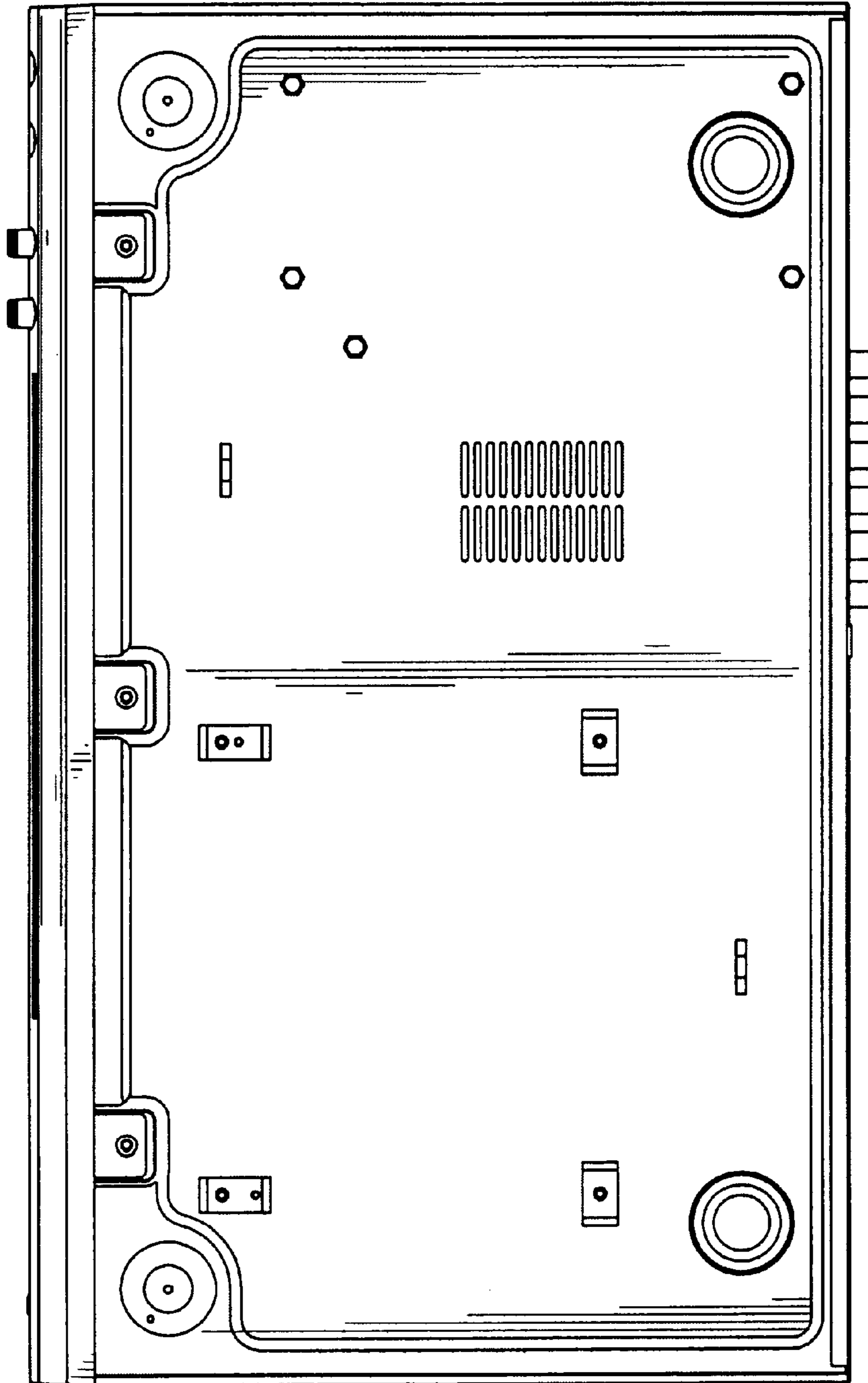


FIG. 7