



US00D515524S

(12) **United States Design Patent**
Kim et al.

(10) **Patent No.:** **US D515,524 S**
(45) **Date of Patent:** **** Feb. 21, 2006**

(54) **OPTICAL DISC PLAYER**

(75) Inventors: **Jeong Youb Kim**, Seoul (KR); **Chae Joo Son**, Seoul (KR)

(73) Assignee: **Bluetek Co., Ltd.**, Suwon-si (KR)

(**) Term: **14 Years**

(21) Appl. No.: **29/207,470**

(22) Filed: **Jun. 14, 2004**

(30) **Foreign Application Priority Data**

Dec. 15, 2003 (KR) 30-2003-0035678

(51) **LOC (8) Cl.** **14-01**

(52) **U.S. Cl.** **D14/136**; D14/156

(58) **Field of Classification Search** D14/135-136,
D14/156-157, 160-165, 167-168, 211, 258,
D14/445; 360/99.02, 99.07; 369/75.11, 75.21,
369/77.21, 77.11; 720/612, 619, 647, 655;
455/344, 347-351

See application file for complete search history.

(56) **References Cited**

U.S. PATENT DOCUMENTS

D396,860 S * 8/1998 Yasutomi D14/168

D431,815 S * 10/2000 Masui D14/156
D434,026 S * 11/2000 Lewis D14/211
D457,875 S * 5/2002 Joe D14/211
D475,991 S * 6/2003 Hisatsune D14/211

* cited by examiner

Primary Examiner—Nanda Bondade
(74) *Attorney, Agent, or Firm*—Alston & Bird LLP

(57) **CLAIM**

The ornamental design for an optical disc player, as shown and described.

DESCRIPTION

FIG. 1 is a perspective view of an optical disc player showing our new design;
FIG. 2 is a front elevational view thereof;
FIG. 3 is a rear elevational view thereof;
FIG. 4 is a left side elevational view thereof;
FIG. 5 is a right side elevational view thereof;
FIG. 6 is a top plan view thereof; and,
FIG. 7 is a bottom plan view thereof.

1 Claim, 6 Drawing Sheets

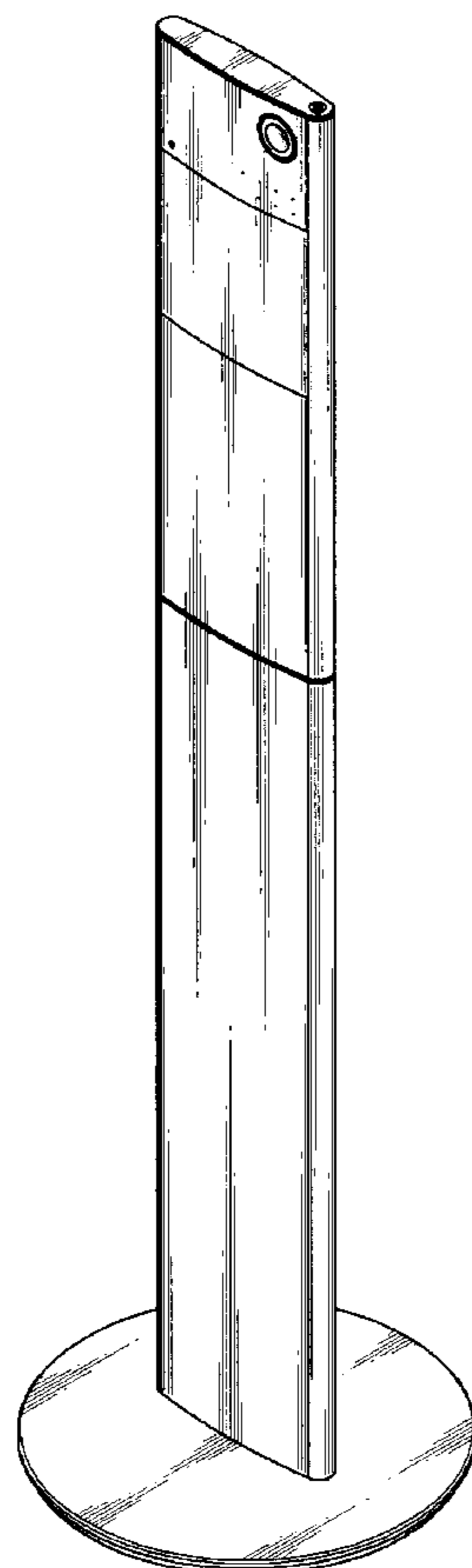


FIG. 1

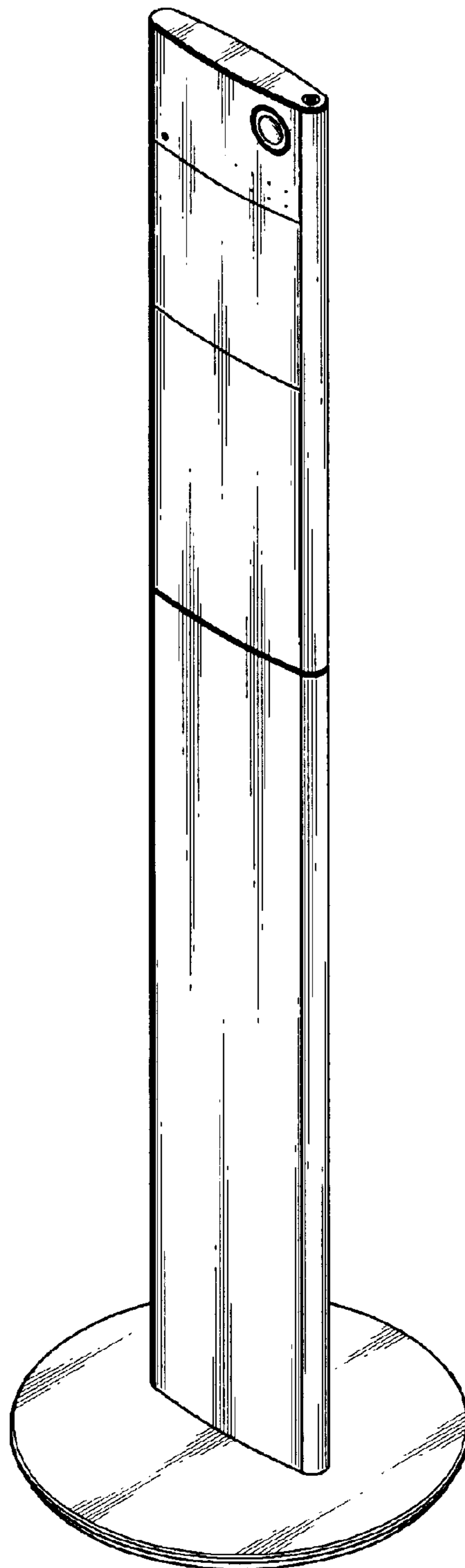


FIG. 2

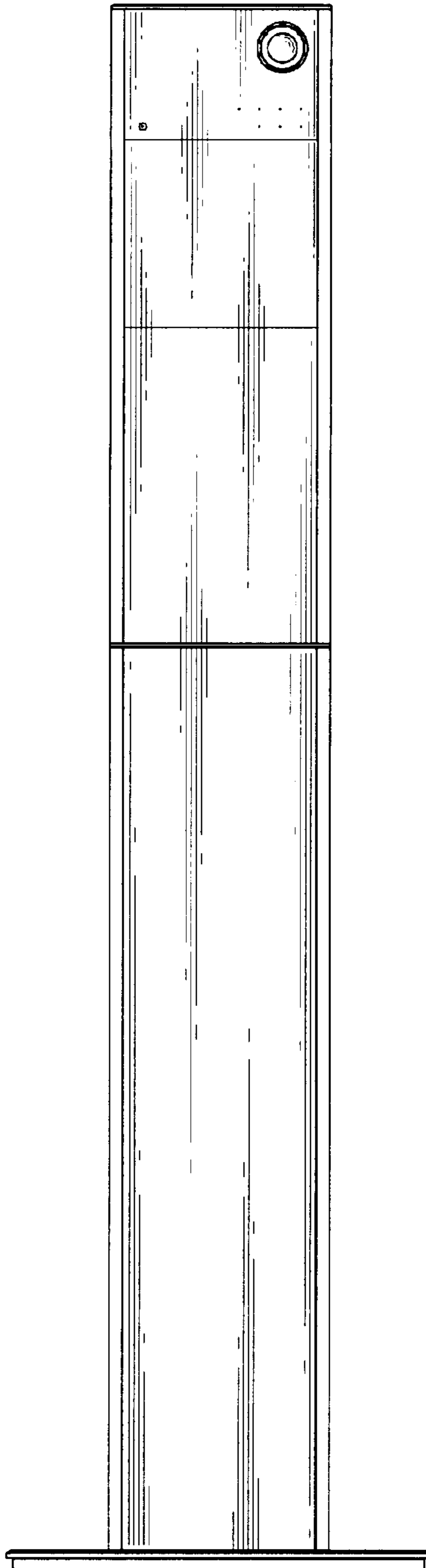


FIG. 3

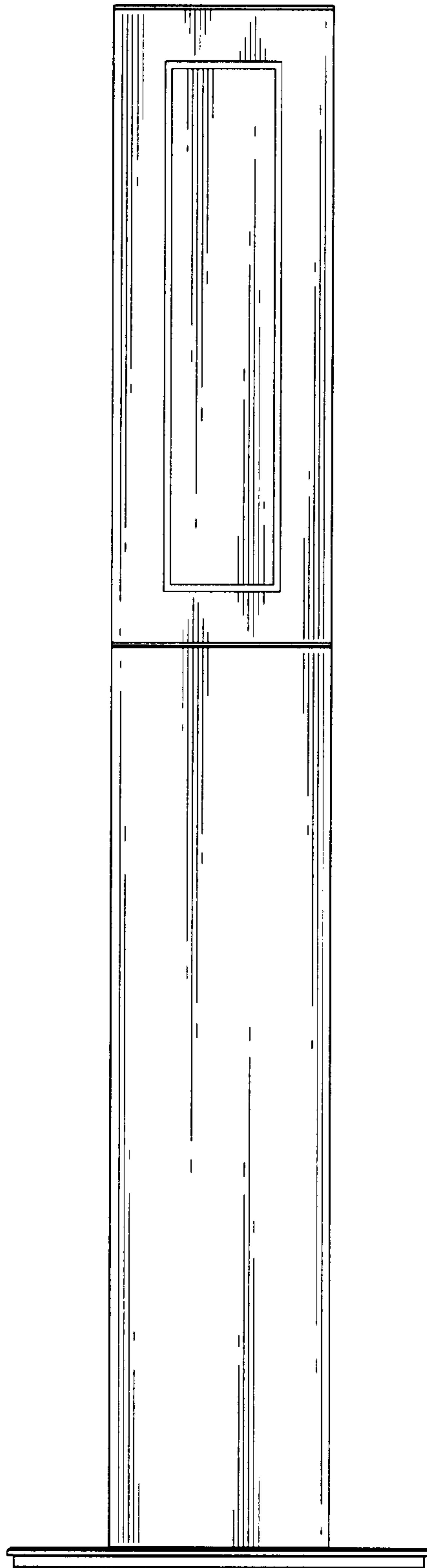


FIG. 4

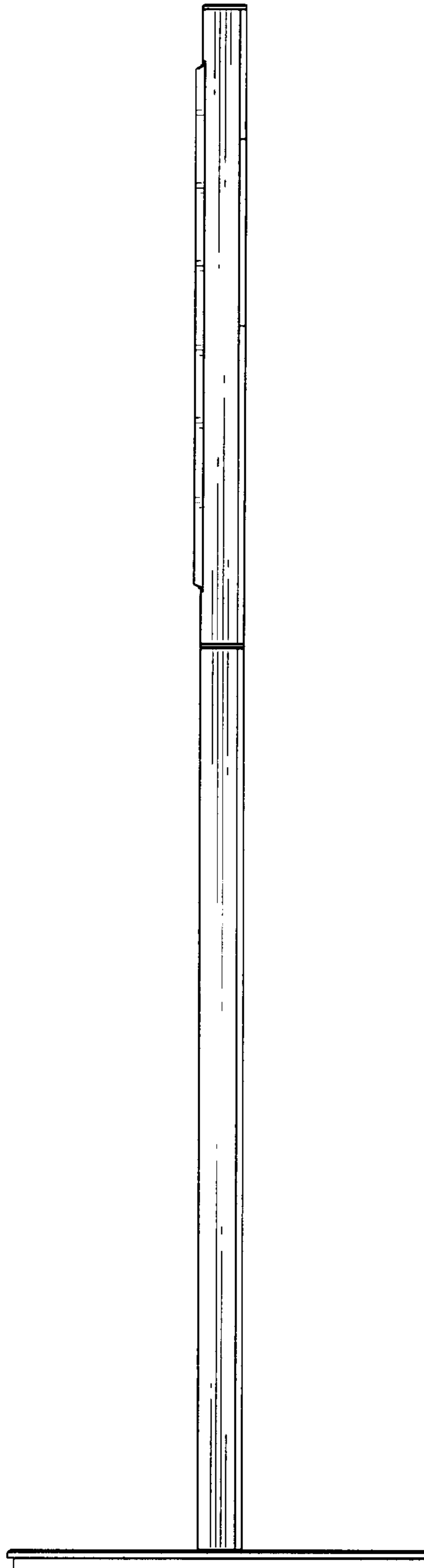


FIG. 5

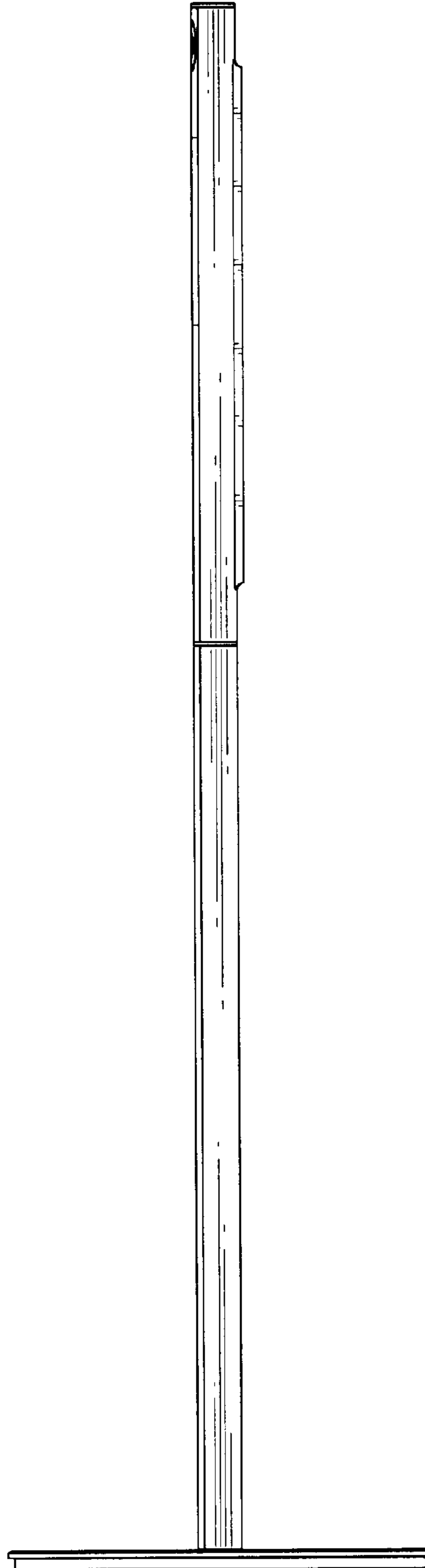


FIG. 6

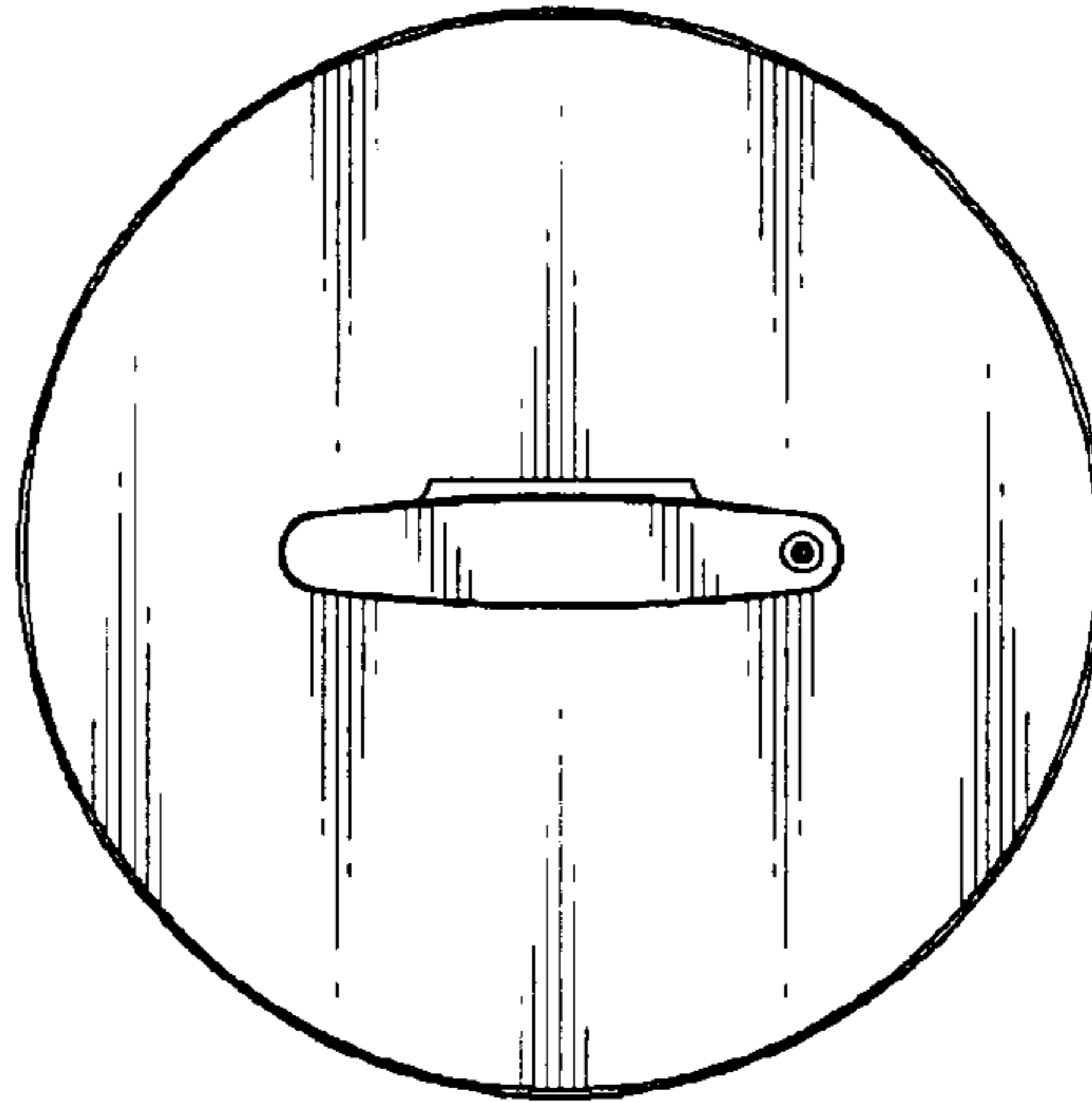


FIG. 7

