



US00D515523S

(12) **United States Design Patent**
Asanuma et al.

(10) **Patent No.:** **US D515,523 S**

(45) **Date of Patent:** **** Feb. 21, 2006**

(54) **TELEVISION RECEIVER**

(75) Inventors: **Toshikazu Asanuma**, Ibaraki (JP);
Koichi Matsumoto, Osaka (JP);
Kiyoshi Nakata, Ibaraki (JP)

(73) Assignee: **Matsushita Electric Industrial Co., Ltd.**, Osaka (JP)

(**) Term: **14 Years**

(21) Appl. No.: **29/211,479**

(22) Filed: **Aug. 17, 2004**

(30) **Foreign Application Priority Data**

Feb. 27, 2004 (JP) 2004-005931

(51) **LOC (8) Cl.** **14-03**

(52) **U.S. Cl.** **D14/129; D14/126**

(58) **Field of Classification Search** D14/125-134,
D14/239, 371, 374-376; 312/7.2; 348/836,
348/838, 180, 184, 325, 739, 333.01; 341/12;
248/917-924, 447, 278.1; 345/104, 133,
345/156, 168, 87, 173; 353/74; D10/106;
D13/164; D6/477-479, 630, 481, 466
See application file for complete search history.

(56) **References Cited**

U.S. PATENT DOCUMENTS

D373,584 S * 9/1996 Anand D14/126
D410,906 S * 6/1999 Chen D14/375
5,941,488 A * 8/1999 Rosen 248/278.1
D413,594 S * 9/1999 Renk D14/126
D416,549 S * 11/1999 Coster et al. D14/375
D416,876 S * 11/1999 Yin D14/375
D423,822 S * 5/2000 Takemasa D6/466

D434,738 S 12/2000 Takemasa
D455,131 S * 4/2002 Reynaga et al. D14/126
D460,055 S * 7/2002 Rosen D14/126
6,672,556 B1 * 1/2004 Hsia 248/447
D488,139 S 4/2004 Takami et al.
2003/0058372 A1 * 3/2003 Williams et al. 348/836
2004/0189847 A1 * 9/2004 Hoglebe et al. 348/333.01

FOREIGN PATENT DOCUMENTS

JP D1066090 4/2000
JP D1076470 6/2000
JP D1135703 3/2002
JP D1145507 7/2002

* cited by examiner

Primary Examiner—Raphael Barkai

(74) *Attorney, Agent, or Firm*—Brinks Hofer Gilson & Lione

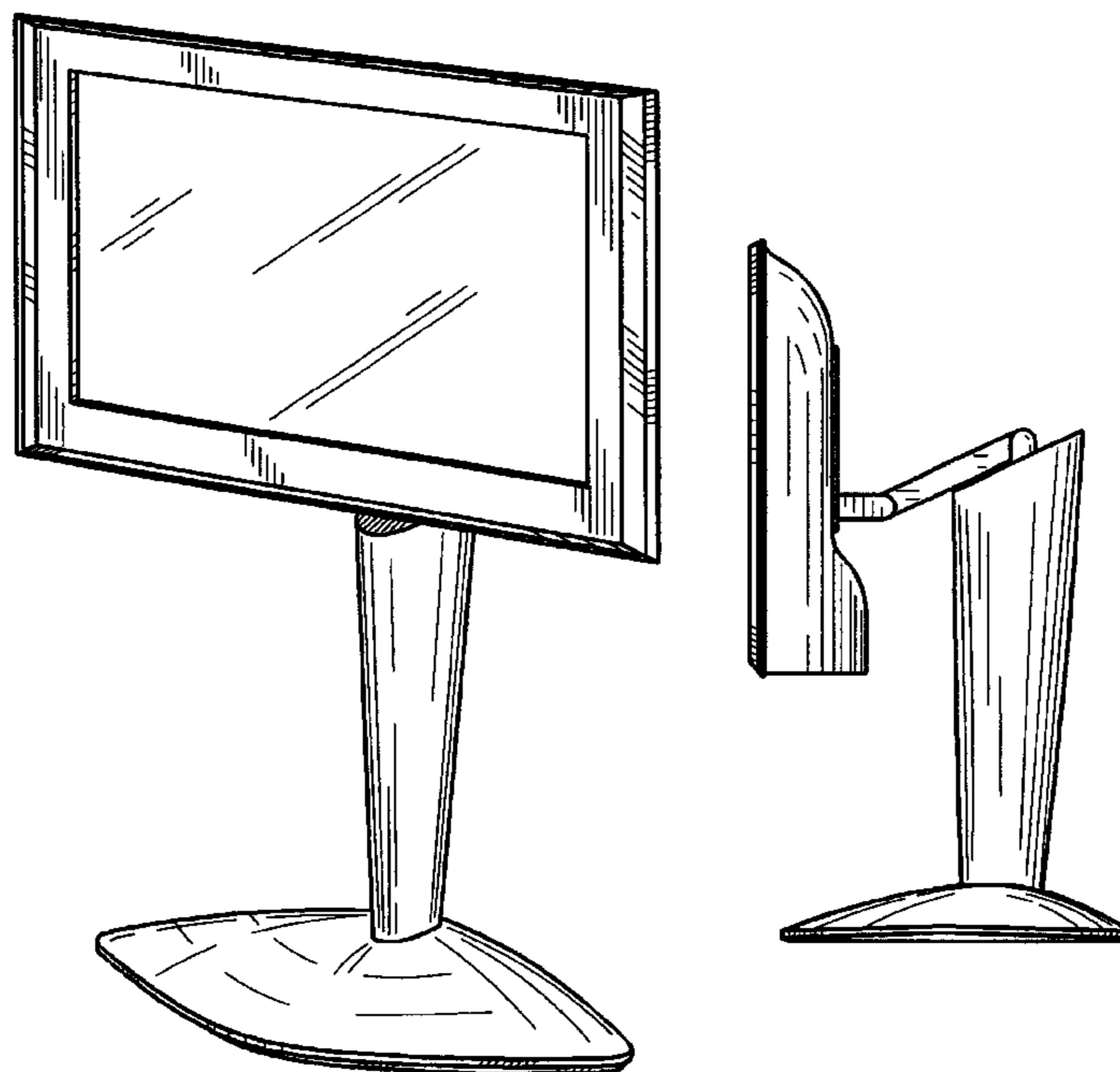
(57) **CLAIM**

We claim the ornamental design for a television receiver, as shown and described.

DESCRIPTION

FIG. 1 is a top perspective view of a television receiver of the present invention;
FIG. 2 is a front view thereof;
FIG. 3 is a rear view thereof;
FIG. 4 is a first side view thereof, wherein the second side view is a mirror image thereof;
FIG. 5 is a top view thereof;
FIG. 6 is a bottom view thereof; and,
FIG. 7 is a first side view thereof, wherein the television receiver is in a first alternative position.

1 Claim, 7 Drawing Sheets



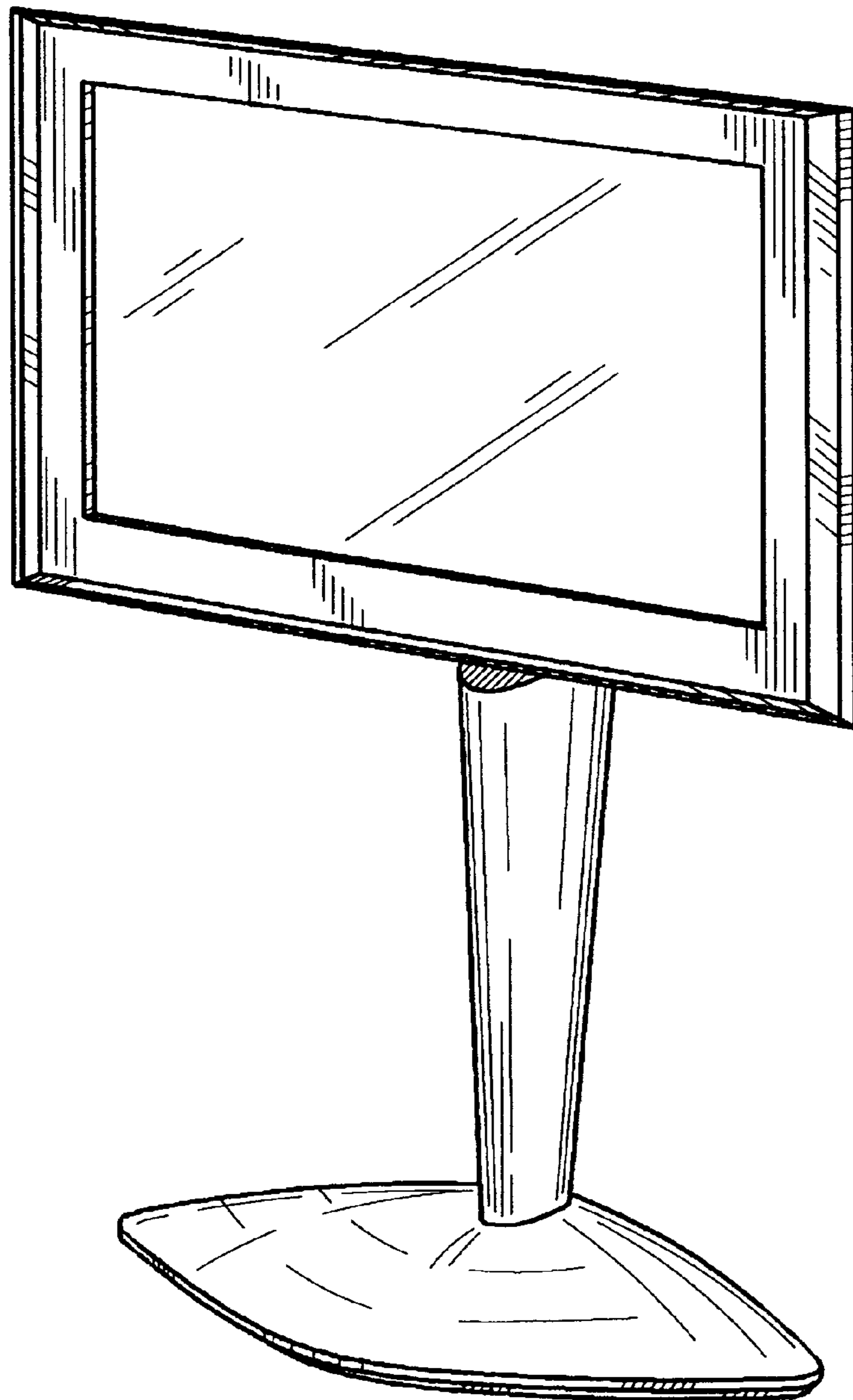


FIG. 1

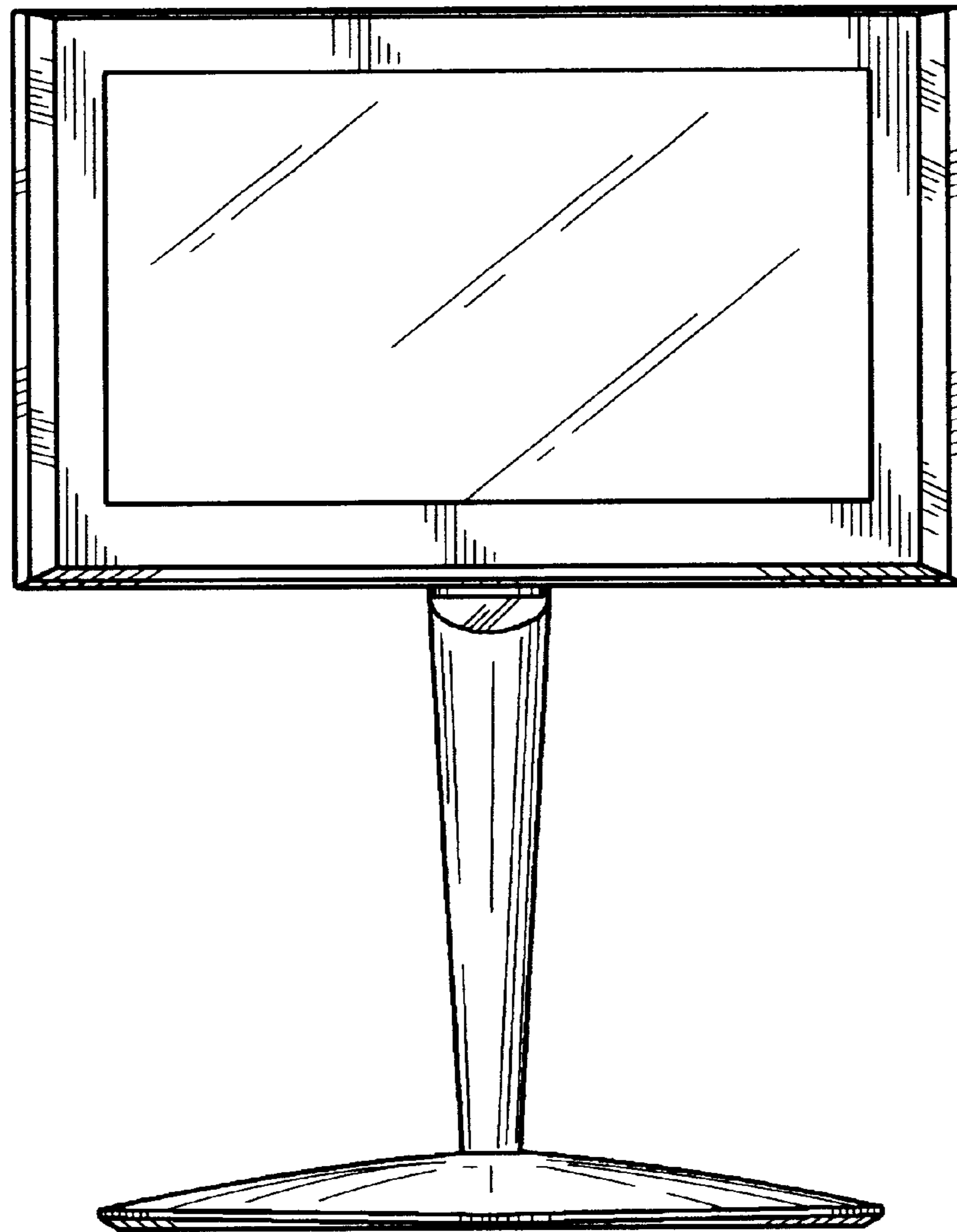


FIG. 2

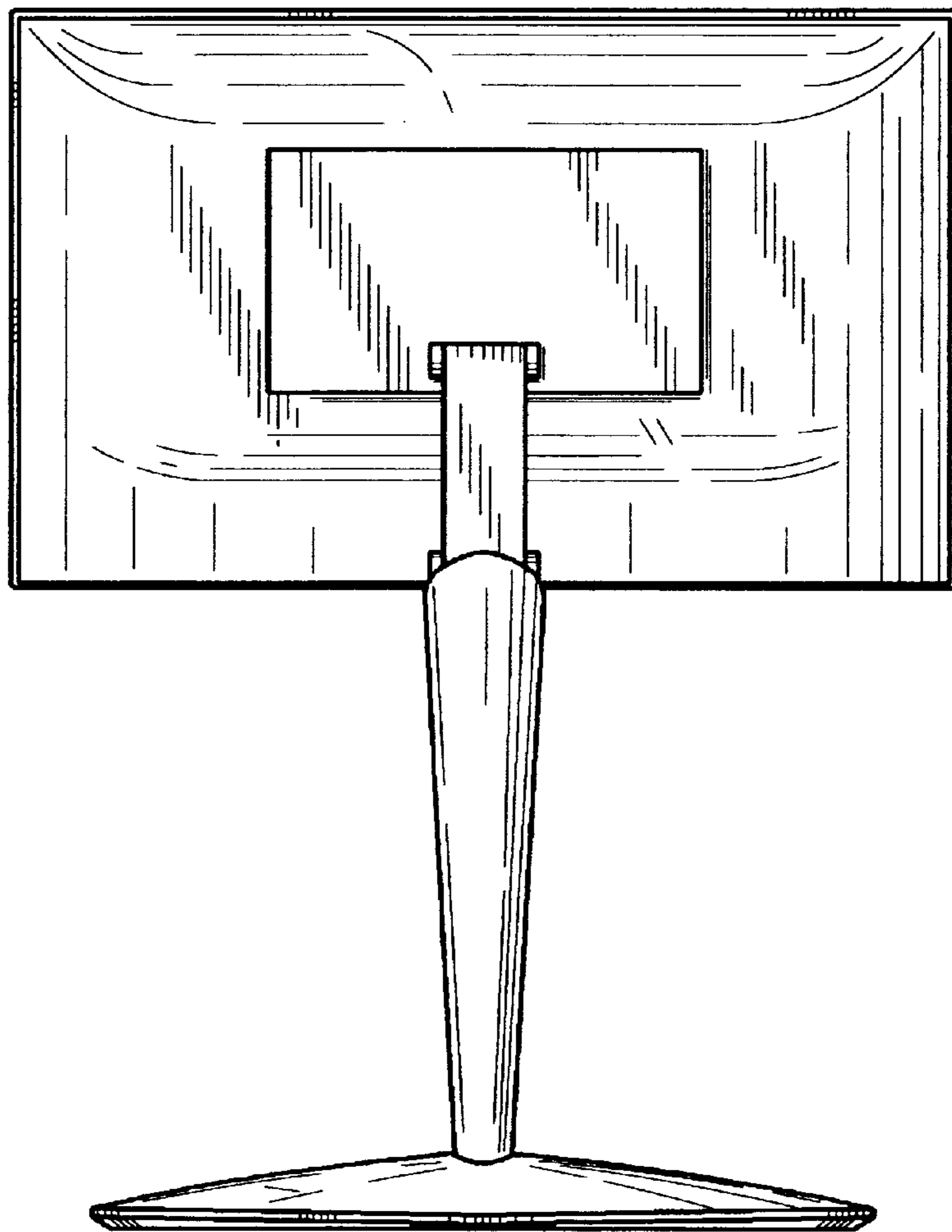


FIG. 3

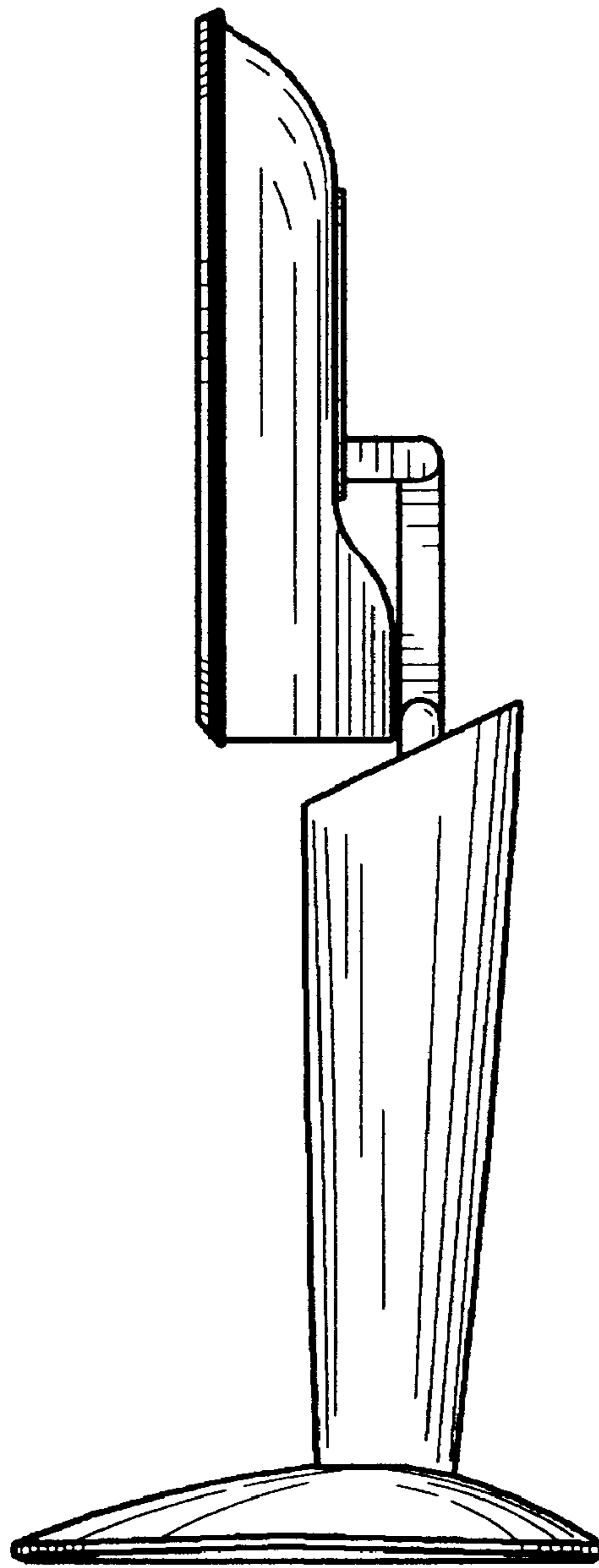


FIG. 4

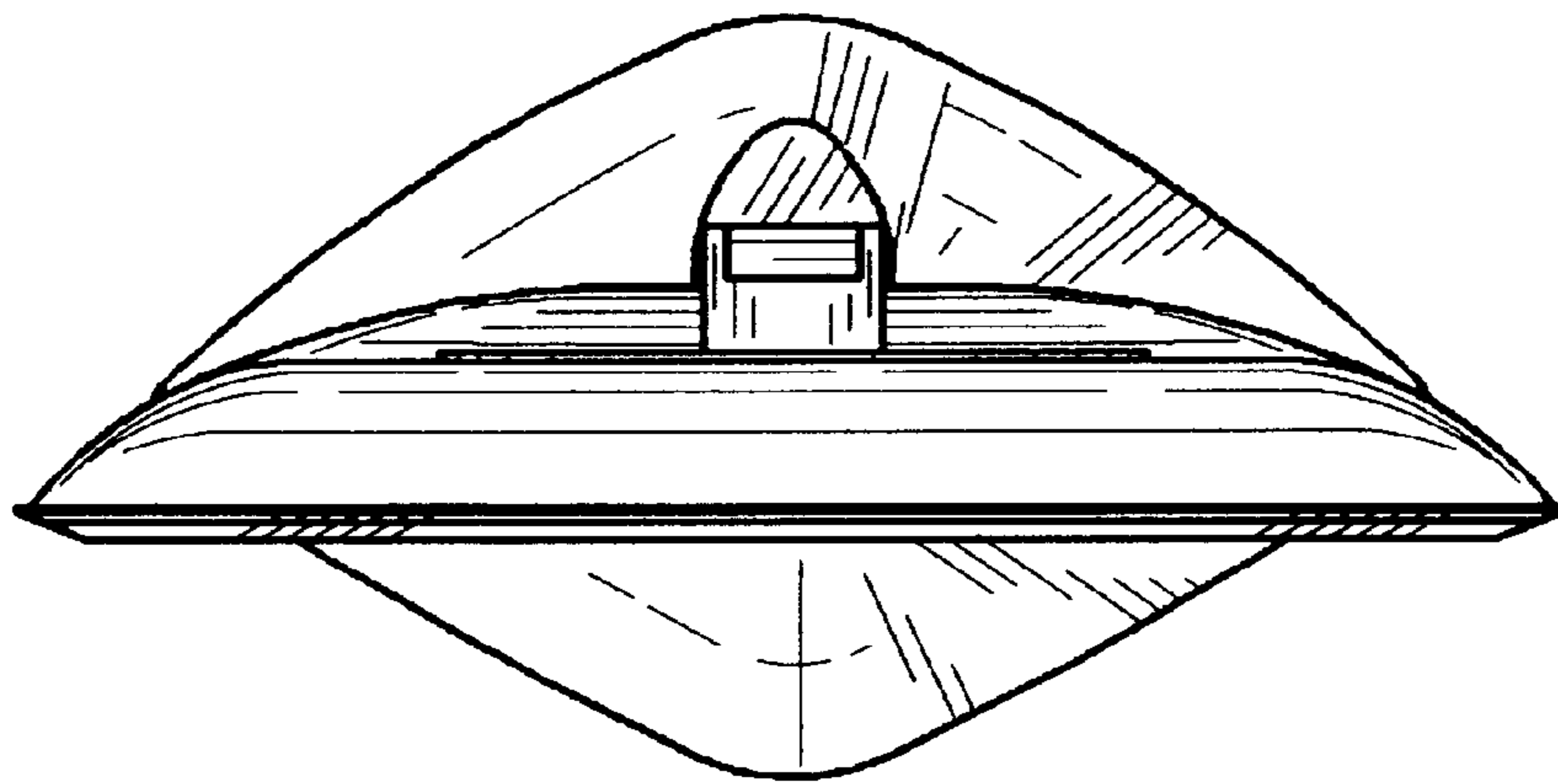


FIG. 5

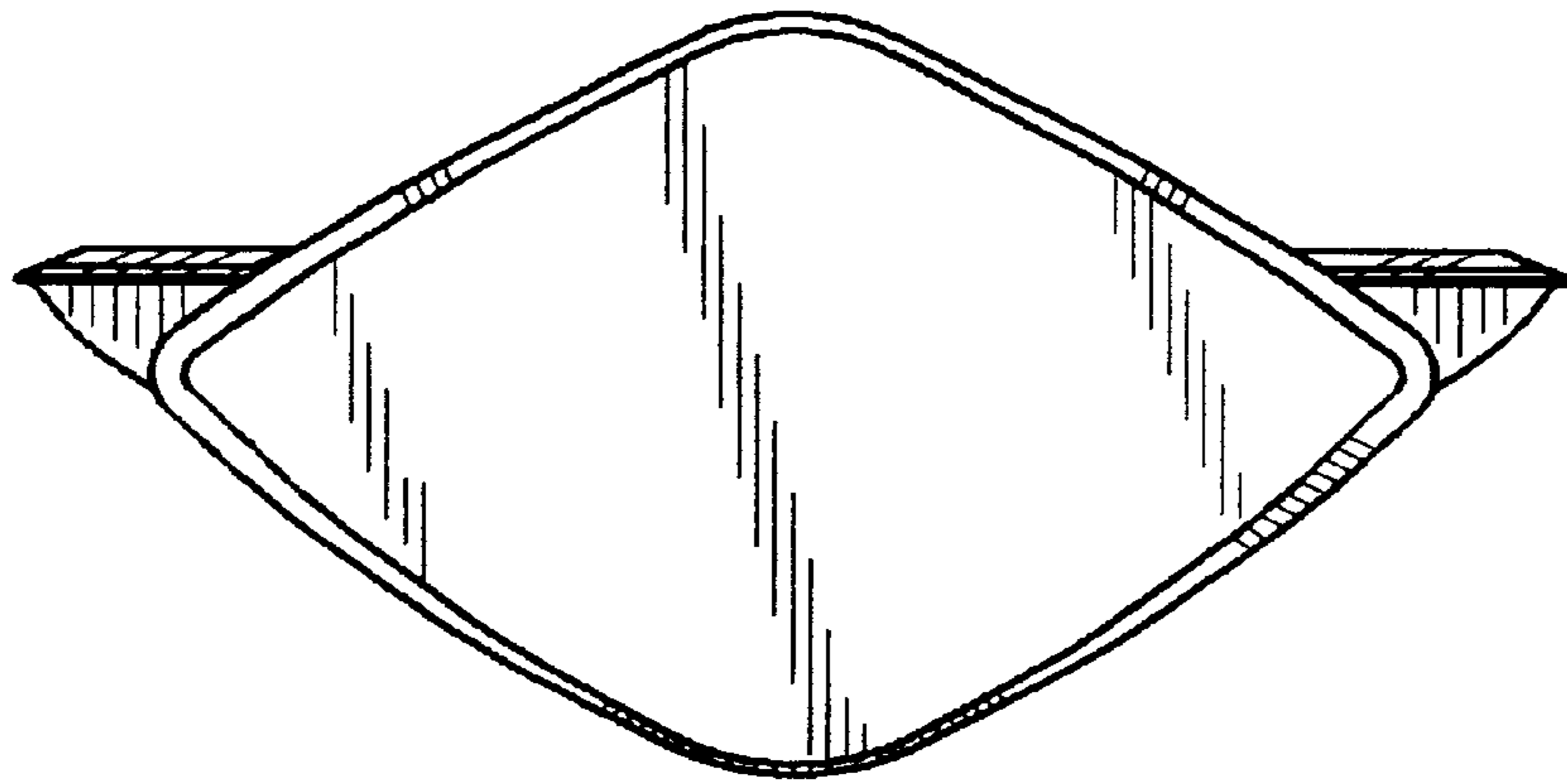


FIG. 6

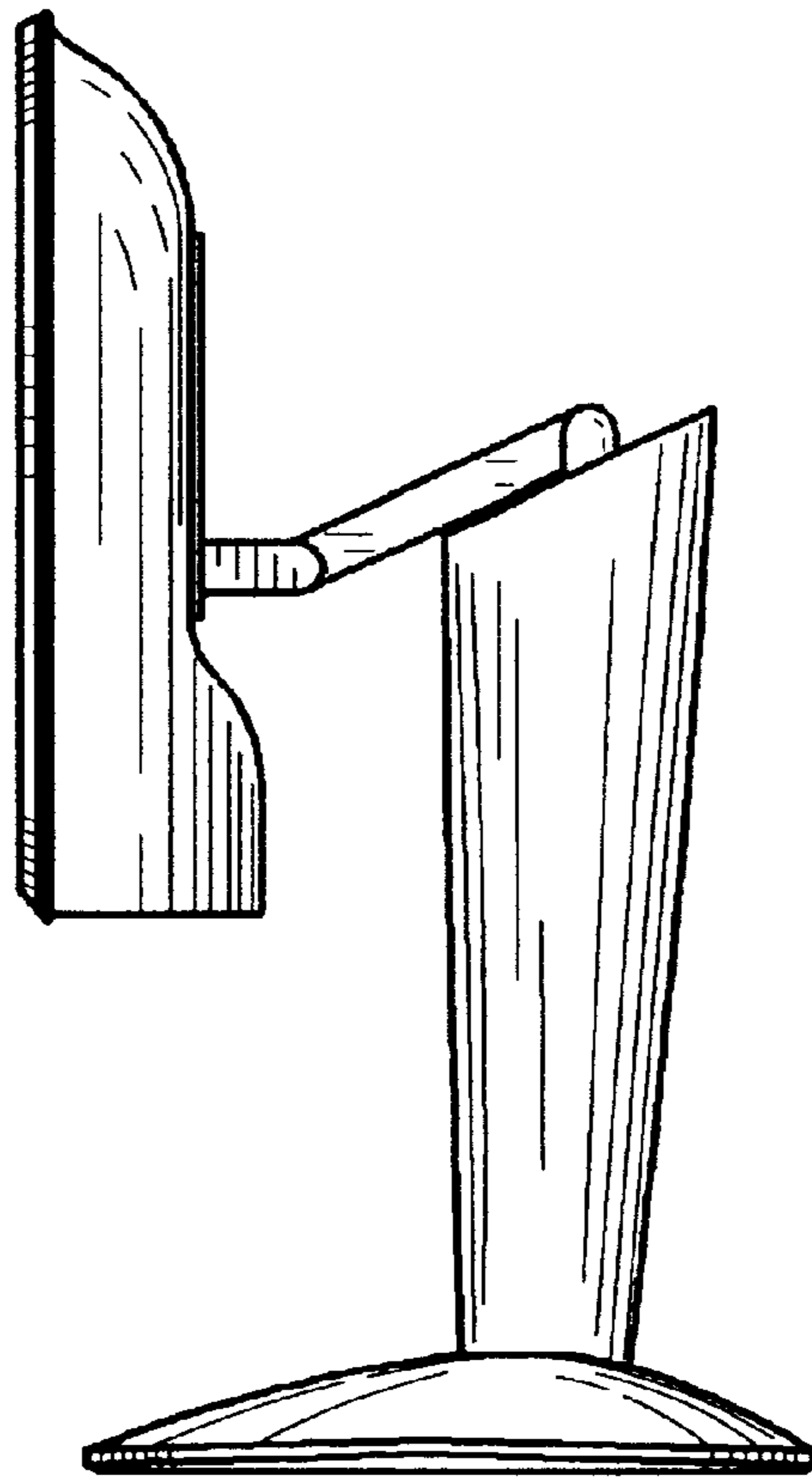


FIG. 7