

US00D515519S

(12) **United States Design Patent**  
Egoshi et al.

(10) **Patent No.:** US D515,519 S  
(45) **Date of Patent:** \*\* Feb. 21, 2006

(54) **LIGHT EMITTING SEMICONDUCTOR DEVICE**

(75) Inventors: **Hidenori Egoshi, Kitakyusyu (JP); Hiroaki Oshio, Kitakyusyu (JP)**

(73) Assignee: **Kabushiki Kaisha Toshiba (JP)**

(\*\*) Term: **14 Years**

(21) Appl. No.: **29/226,916**

(22) Filed: **Apr. 5, 2005**

(30) **Foreign Application Priority Data**

Feb. 16, 2005 (JP) ..... 2005-004005

(51) **LOC (8) Cl.** ..... **13-03**

(52) **U.S. Cl.** ..... **D13/180**

(58) **Field of Classification Search** ..... D13/180;  
D26/2; 257/79, 80, 81, 82, 88, 89, 95, 98,  
257/99, 100, 433, 434, 666; 313/483, 498,  
313/500; 361/820; 362/235, 555, 800; 372/45  
See application file for complete search history.

(56) **References Cited**

**U.S. PATENT DOCUMENTS**

|           |    |   |         |                  |       |         |
|-----------|----|---|---------|------------------|-------|---------|
| 4,959,761 | A  | * | 9/1990  | Critelli et al.  | ..... | 362/646 |
| D432,095  | S  |   | 10/2000 | Seeger et al.    |       |         |
| D437,798  | S  |   | 2/2001  | Kiba et al.      |       |         |
| D439,351  | S  |   | 3/2001  | Kiba et al.      |       |         |
| 6,486,543 | B1 | * | 11/2002 | Sano et al.      | ..... | 257/684 |
| 6,501,103 | B1 | * | 12/2002 | Jory et al.      | ..... | 257/100 |
| D471,166  | S  |   | 3/2003  | Oshio et al.     |       |         |
| 6,582,100 | B1 | * | 6/2003  | Hochstein et al. | ..... | 362/294 |

|              |    |   |        |                |       |         |
|--------------|----|---|--------|----------------|-------|---------|
| D491,898     | S  | * | 6/2004 | Kamada         | ..... | D13/180 |
| 2003/0168720 | A1 | * | 9/2003 | Kamada         | ..... | 257/666 |
| 2004/0079957 | A1 | * | 4/2004 | Andrews et al. | ..... | 257/100 |
| 2005/0073018 | A1 | * | 4/2005 | Yano et al.    | ..... | 257/433 |

**FOREIGN PATENT DOCUMENTS**

|    |           |        |
|----|-----------|--------|
| JP | 1066159-1 | 4/2000 |
| JP | 1077712   | 7/2000 |
| JP | 1095961   | 1/2001 |
| JP | 1166651   | 3/2003 |
| JP | 1171201   | 4/2003 |
| JP | 1171203   | 4/2003 |

\* cited by examiner

*Primary Examiner*—Stella Reid  
*Assistant Examiner*—Selina Sikder

(74) *Attorney, Agent, or Firm*—Banner & Witcoff, Ltd.

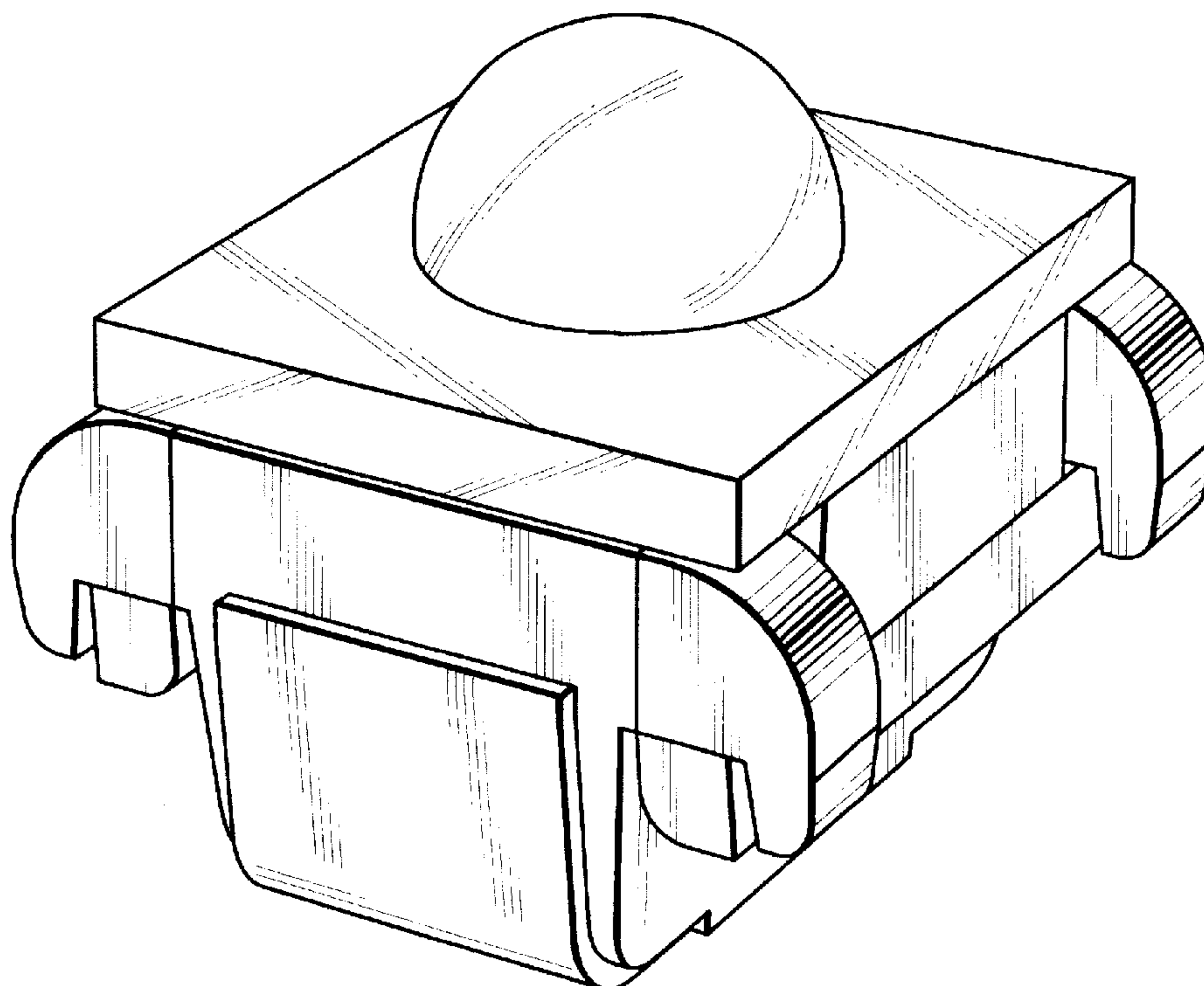
(57) **CLAIM**

The ornamental design for a light emitting semiconductor device, as shown and described.

**DESCRIPTION**

FIG. 1 is a front, top and right side perspective view of a light emitting semiconductor device, showing our new design;  
FIG. 2 is a front elevational view thereof; the opposite side being identical thereof;  
FIG. 3 is a top plan view thereof;  
FIG. 4 is a bottom plan view thereof; and,  
FIG. 5 is a right side elevational view thereof; the opposite side being identical thereof.

**1 Claim, 3 Drawing Sheets**



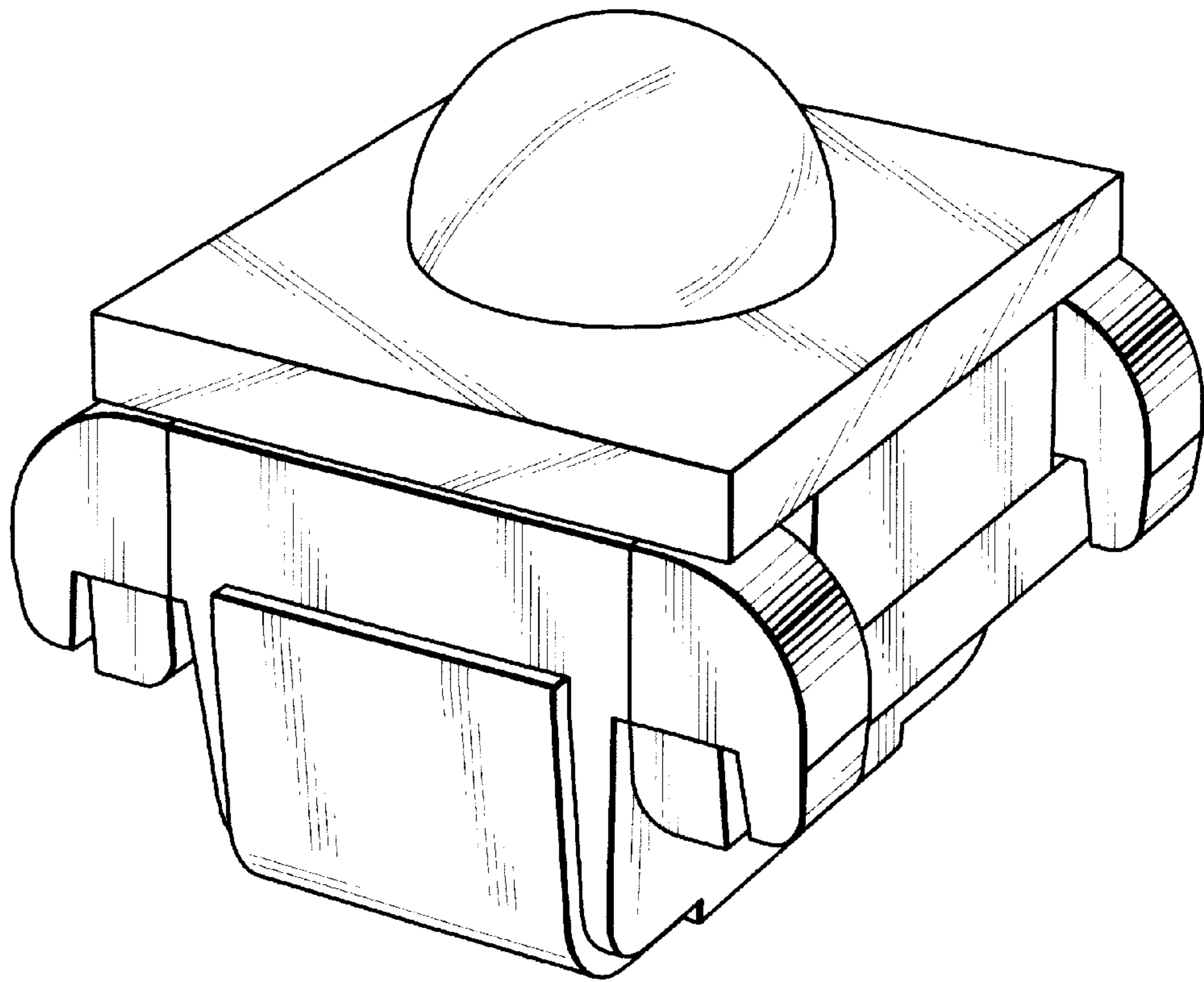


FIG. 1

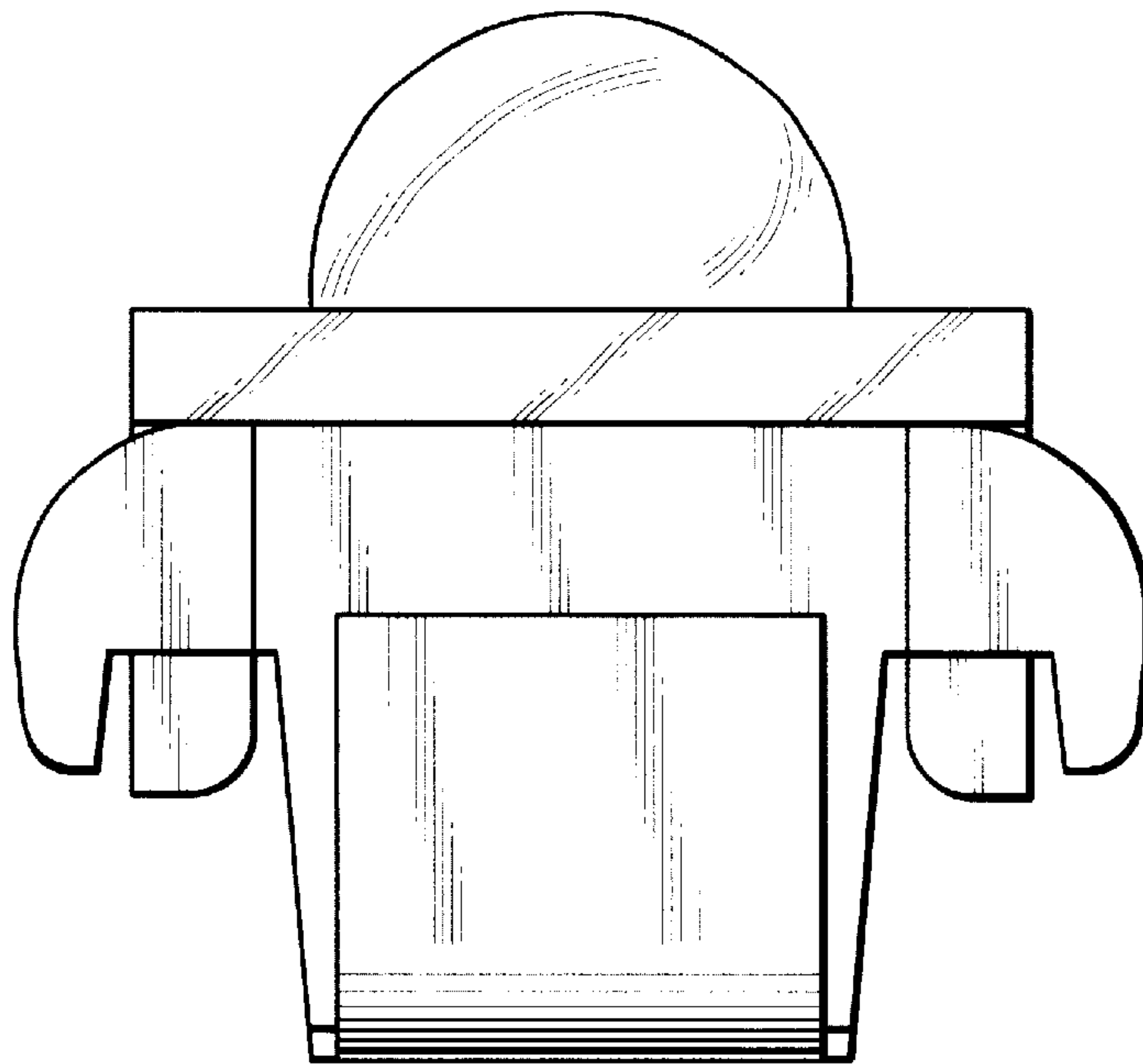


FIG. 2

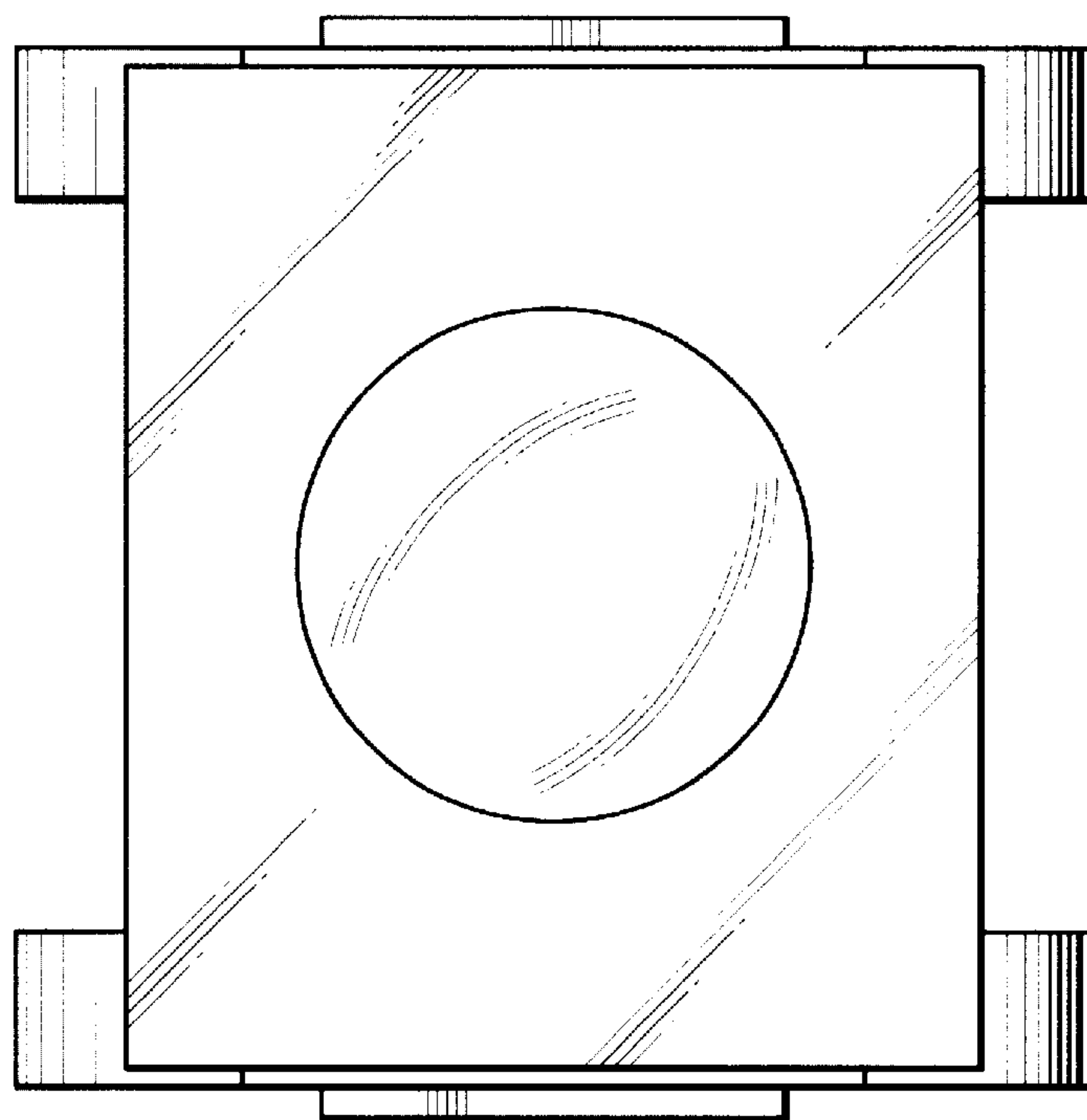


FIG. 3

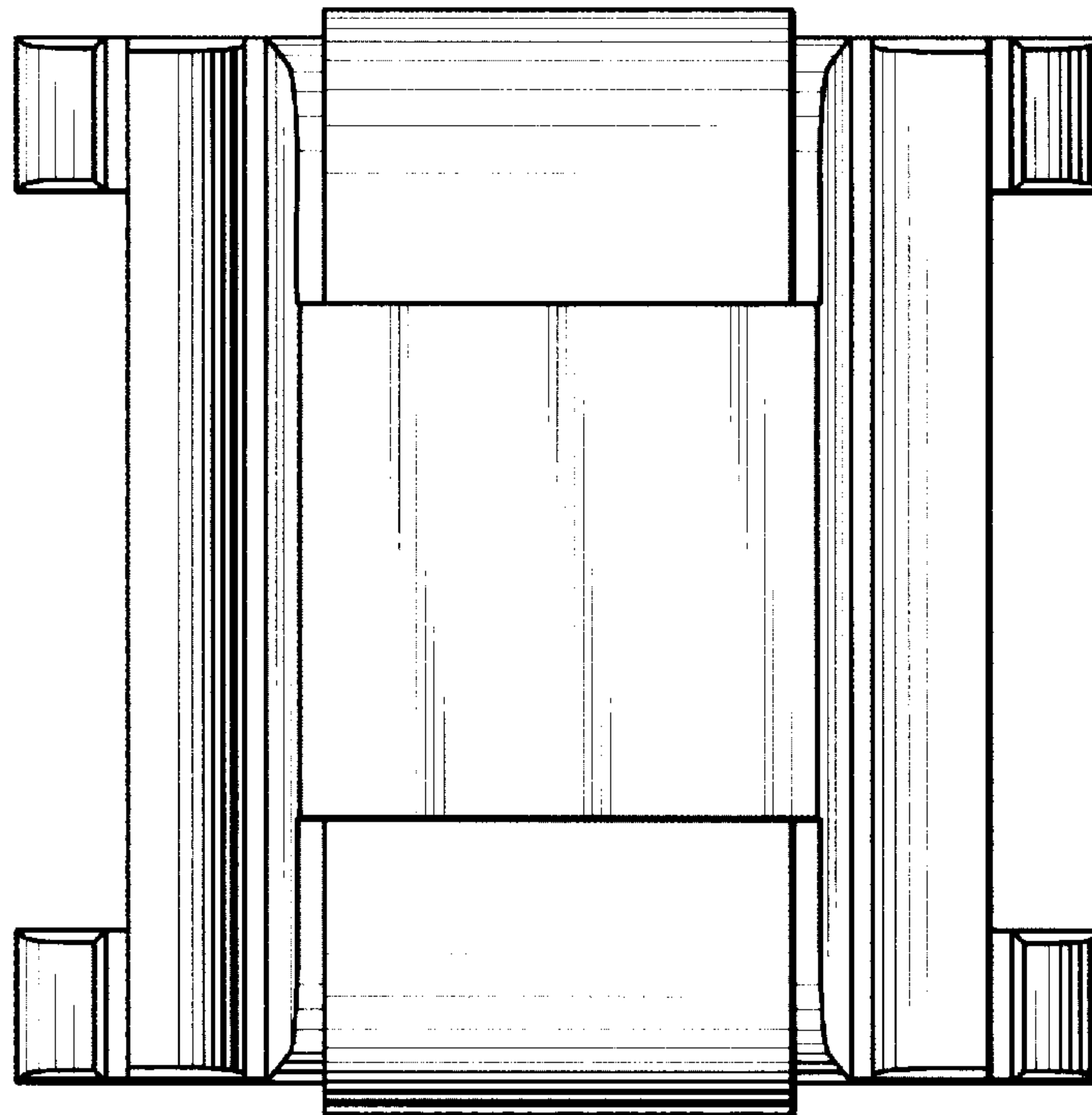


FIG. 4

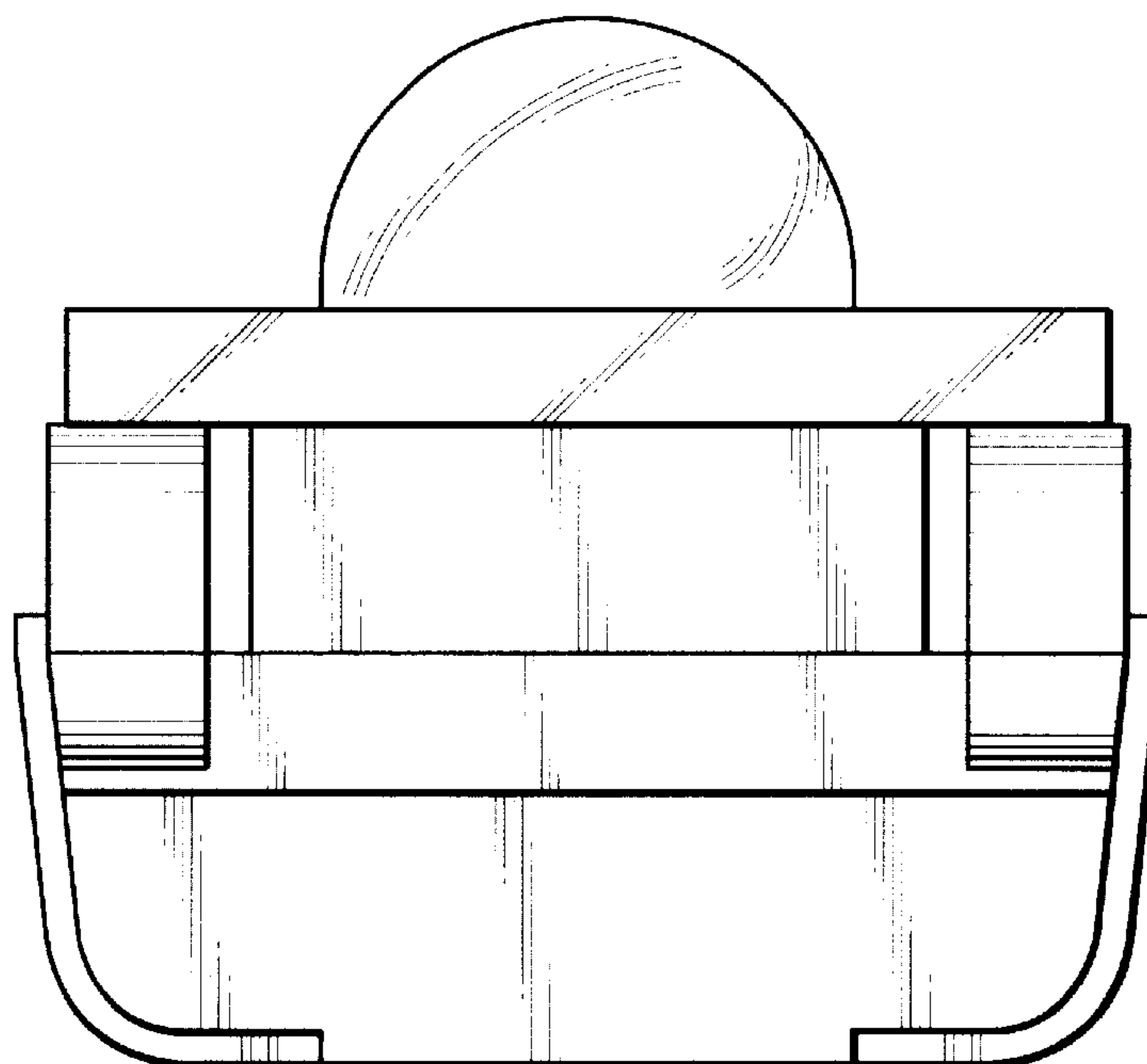


FIG. 5