



US00D515516S

(12) **United States Design Patent** (10) **Patent No.:** **US D515,516 S**
Mayo et al. (45) **Date of Patent:** **** Feb. 21, 2006**

(54) **TABLE-TOP DIMMER**

Primary Examiner—Stella Reid
Assistant Examiner—Selina Sikder

(75) Inventors: **Noel Mayo**, Philadelphia, PA (US);
Elliot G. Jacoby, Glenside, PA (US);
Joel S. Spira, Coopersburg, PA (US)

(74) *Attorney, Agent, or Firm*—Drinker Biddle & Reath
LLP

(73) Assignee: **Lutron Electronics Co., Inc.**,
Coopersburg, PA (US)

(57) **CLAIM**

(**) Term: **14 Years**

The ornamental design for a table-top dimmer, as shown and
described.

(21) Appl. No.: **29/214,757**

(22) Filed: **Oct. 7, 2004**

(51) **LOC (8) Cl.** **13-03**

(52) **U.S. Cl.** **D13/171**

(58) **Field of Classification Search** D13/162,
D13/171; D8/353; 174/66; 200/5 A, 412,
200/513, 520, 530, 537, 552, 237, 275, 276.1,
200/296, 297, 310, 302.1–302.3, 314, 329,
200/333, 341; 220/241; 315/129, 291–296;
D3/203.2; D9/428; D10/40; D28/82, 91
See application file for complete search history.

DESCRIPTION

FIG. 1 is a perspective view of a table-top dimmer switch
showing a first embodiment of our new design.
FIG. 2 is a top plan view thereof.
FIG. 3 is a bottom plan view thereof.
FIG. 4 is a front elevation view thereof.
FIG. 5 is a rear elevation view thereof.
FIG. 6 is a right side elevation view thereof, the left side
elevation being a mirror image.
FIG. 7 is a perspective view of a table-top dimmer according
to a second embodiment of the design shown in FIG. 1.
FIG. 8 is a top plan view thereof.
FIG. 9 is a bottom plan view thereof.
FIG. 10 is a front elevation view thereof.
FIG. 11 is a rear elevation view thereof; and,
FIG. 12 is a right side elevation view thereof, the left side
elevation view being a mirror image.
The portions of the drawings appearing in broken line are for
environment only and do not form a part of the design.

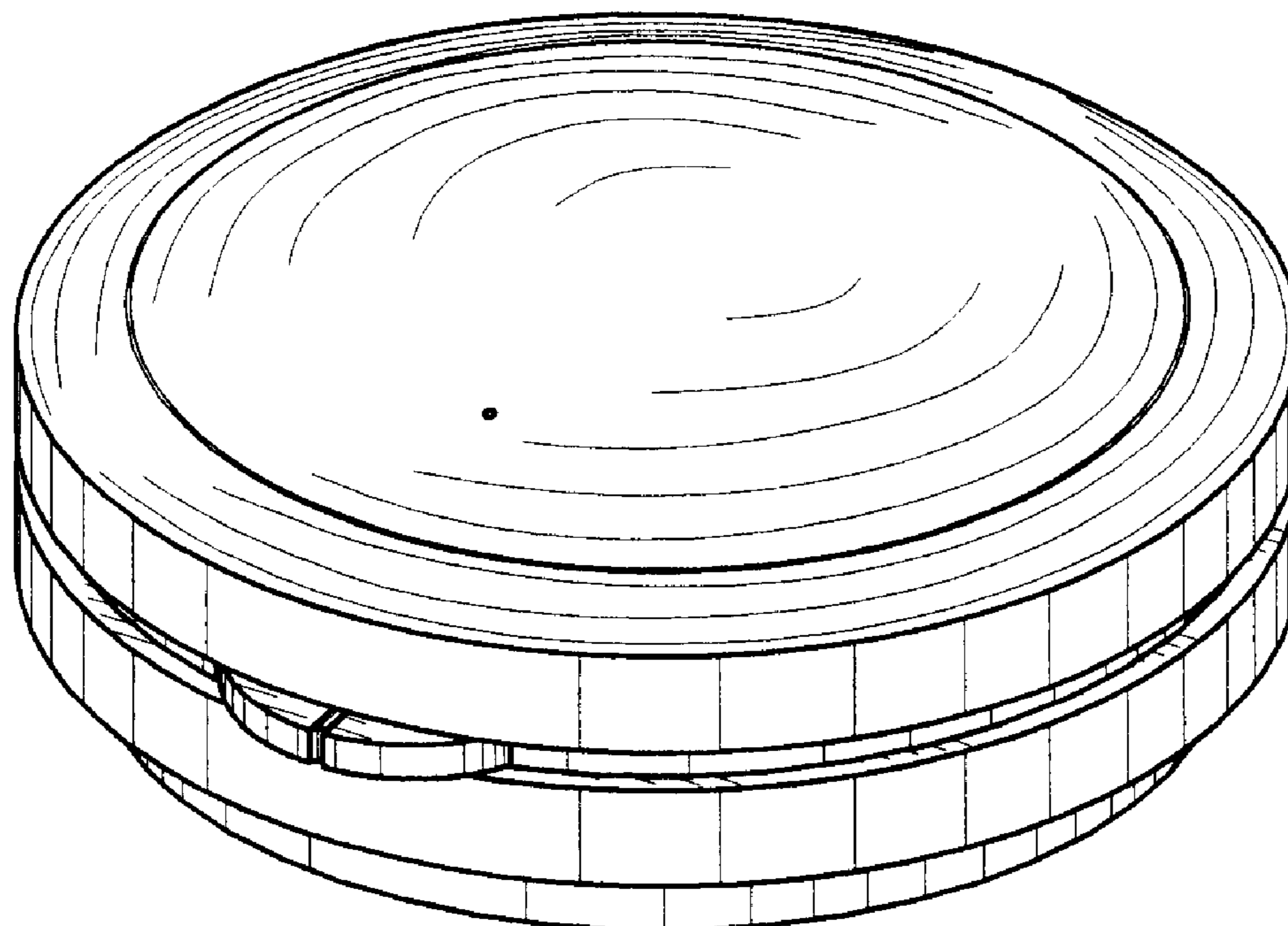
(56) **References Cited**

U.S. PATENT DOCUMENTS

- D303,584 S * 9/1989 Bakic D28/91
- D404,719 S * 1/1999 Suzuki D13/171
- 6,107,583 A * 8/2000 Berfield 200/302.2
- D431,458 S * 10/2000 Bried et al. D3/203.2
- D464,630 S * 10/2002 Woodworth D13/171
- D507,078 S * 7/2005 Greenfield D28/82

* cited by examiner

1 Claim, 8 Drawing Sheets



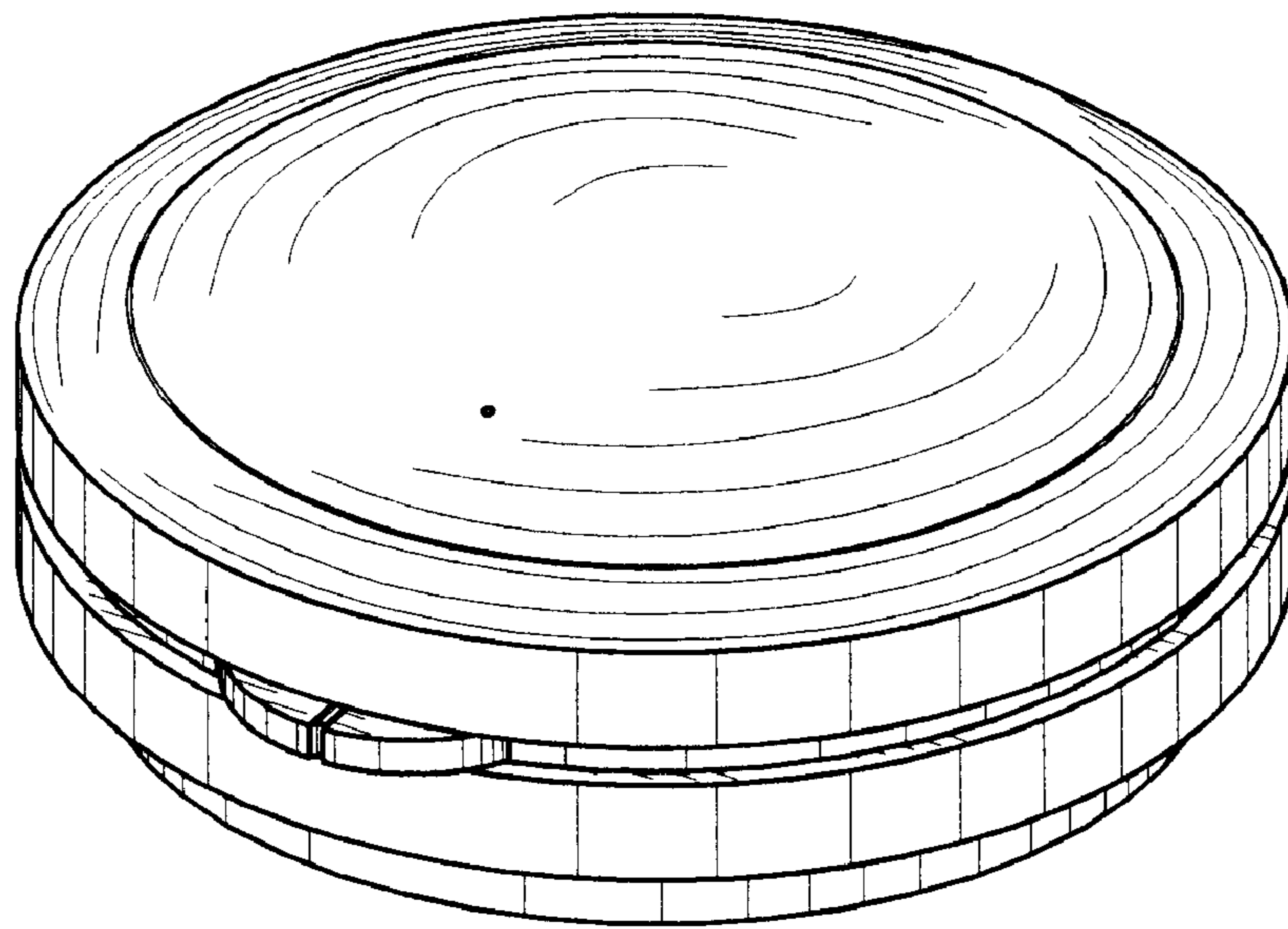


FIG. 1

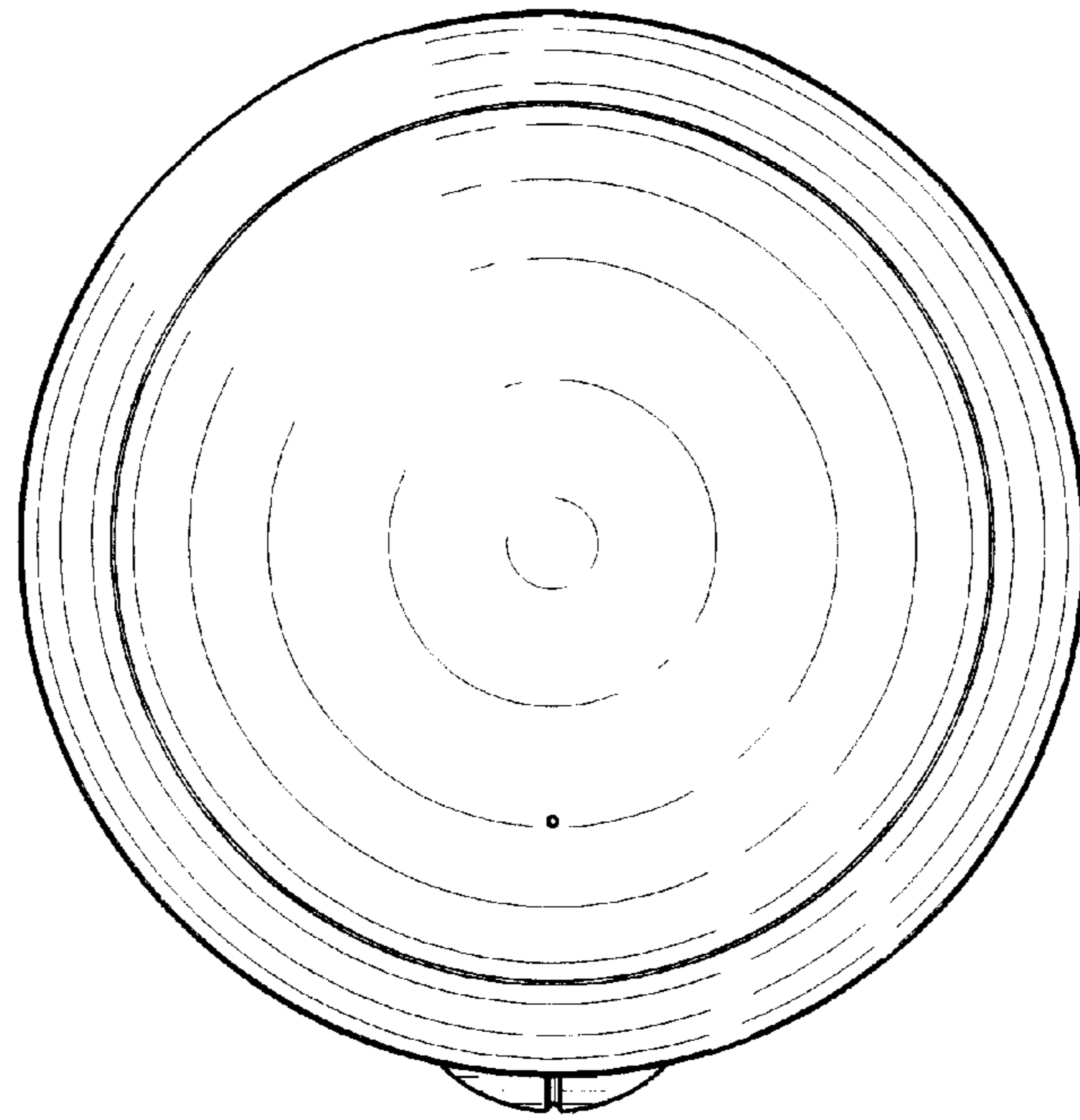


FIG. 2

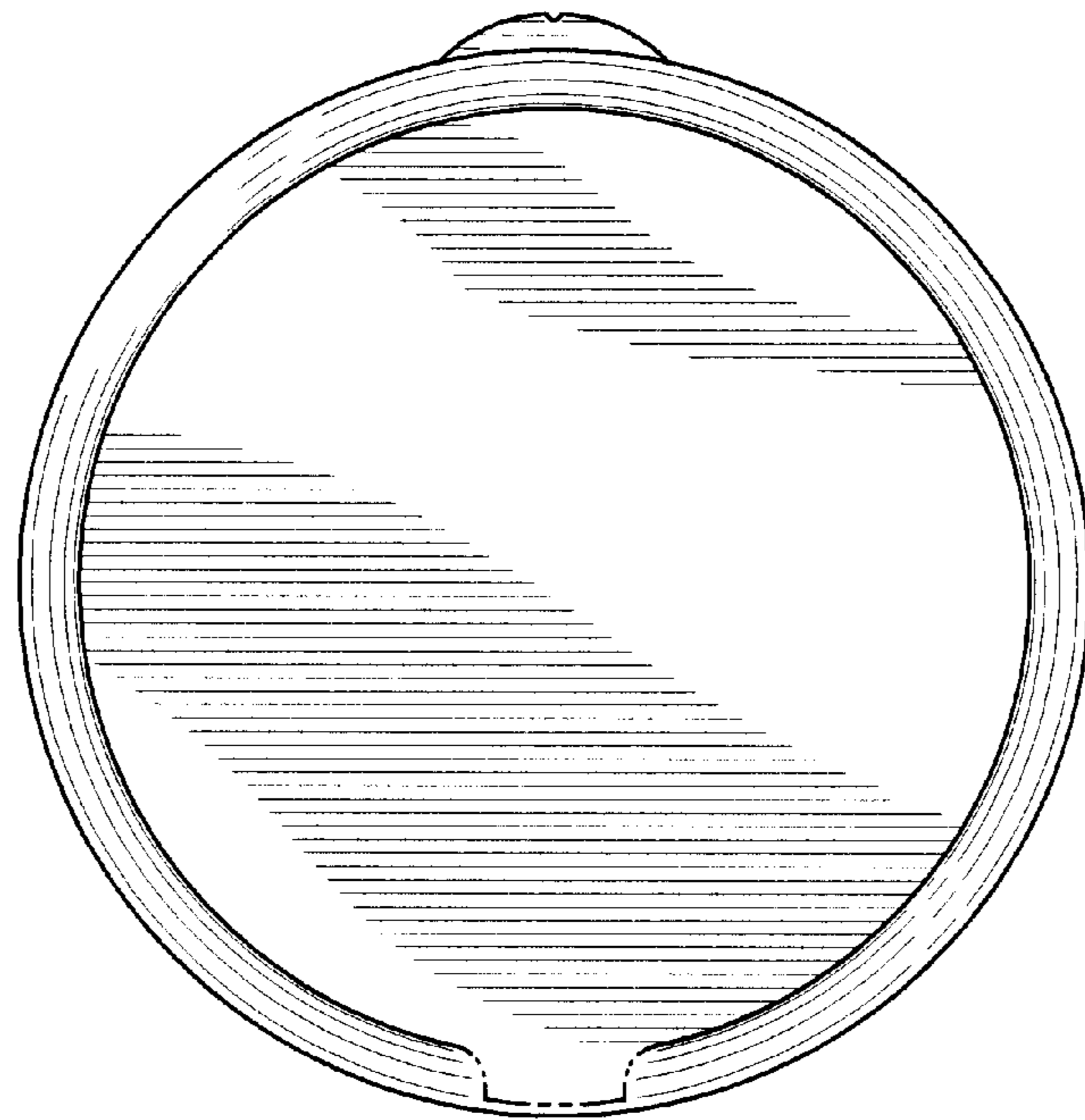


FIG. 3

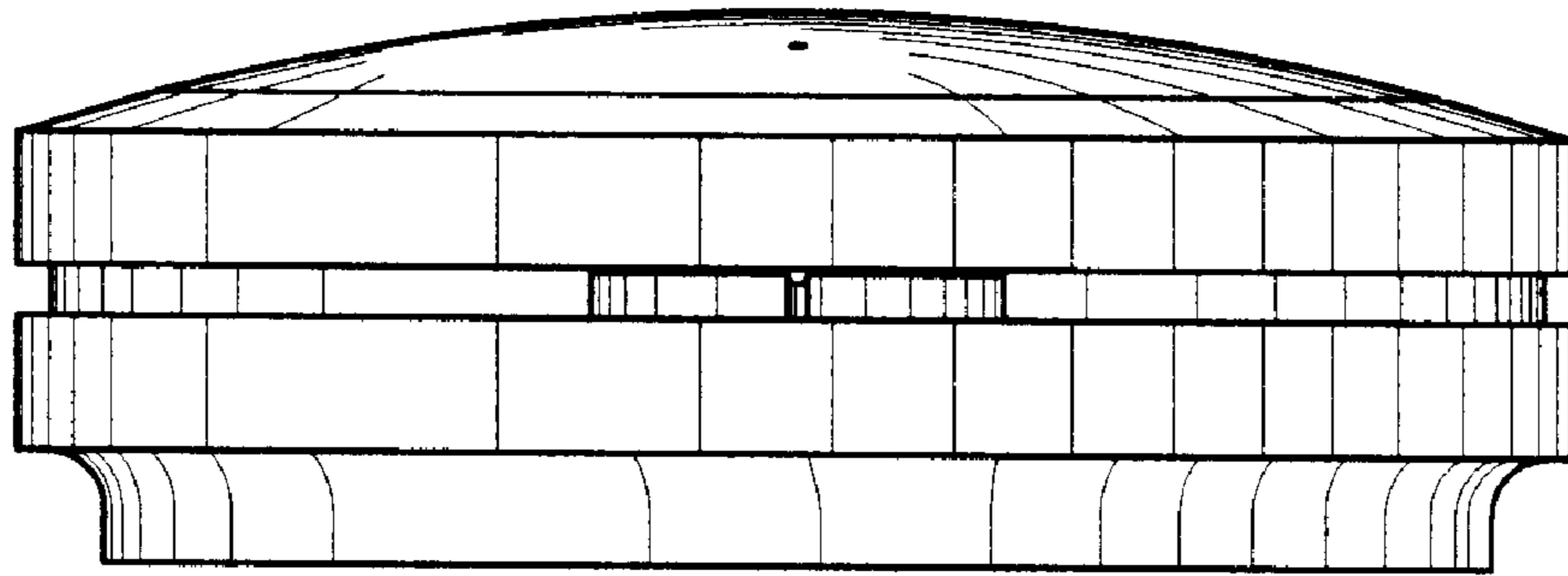


FIG. 4

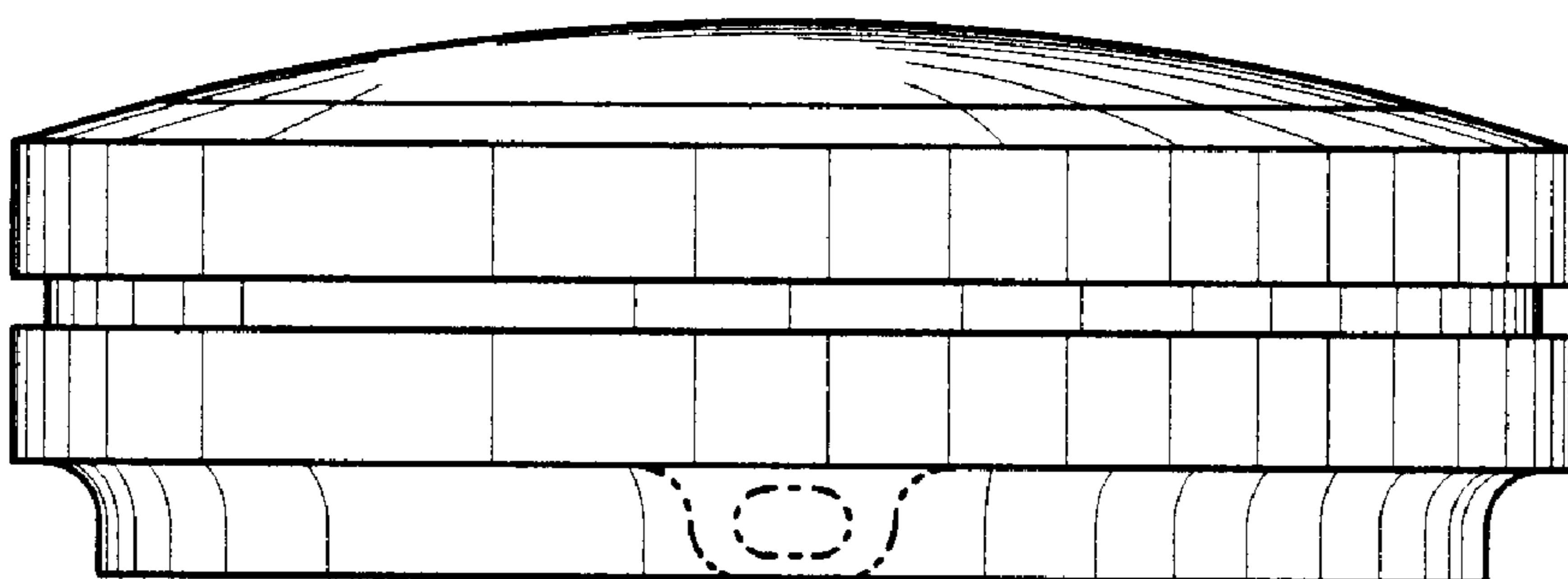


FIG. 5

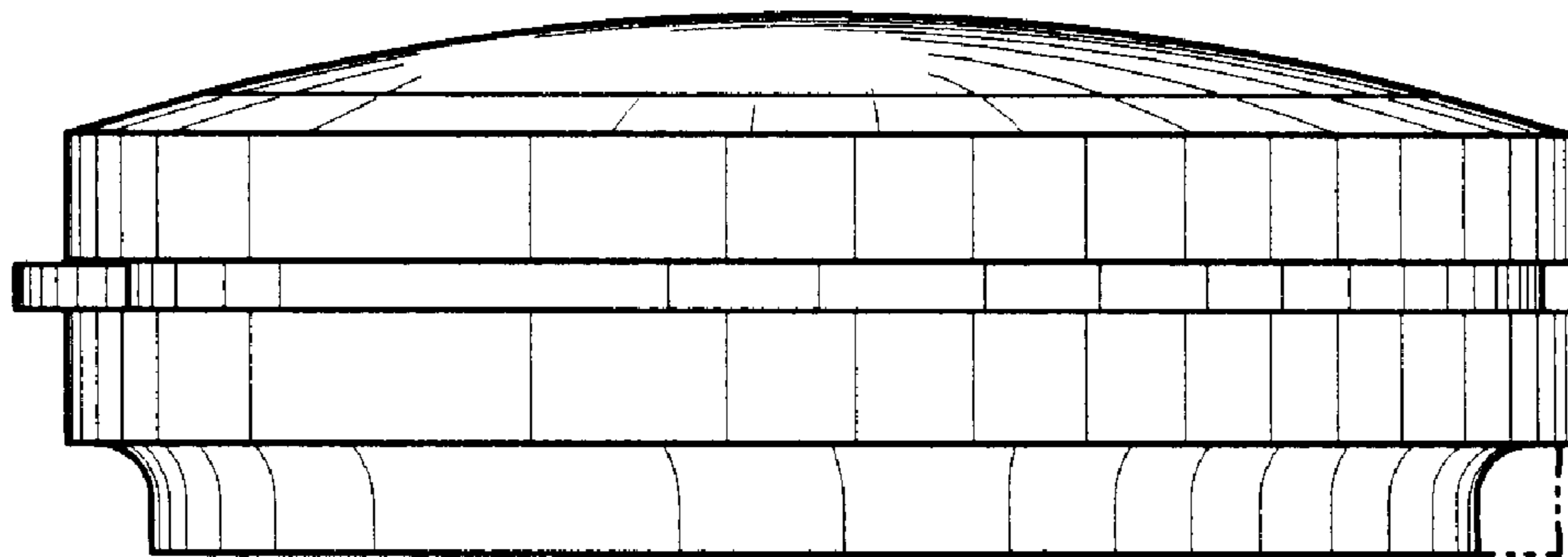


FIG. 6

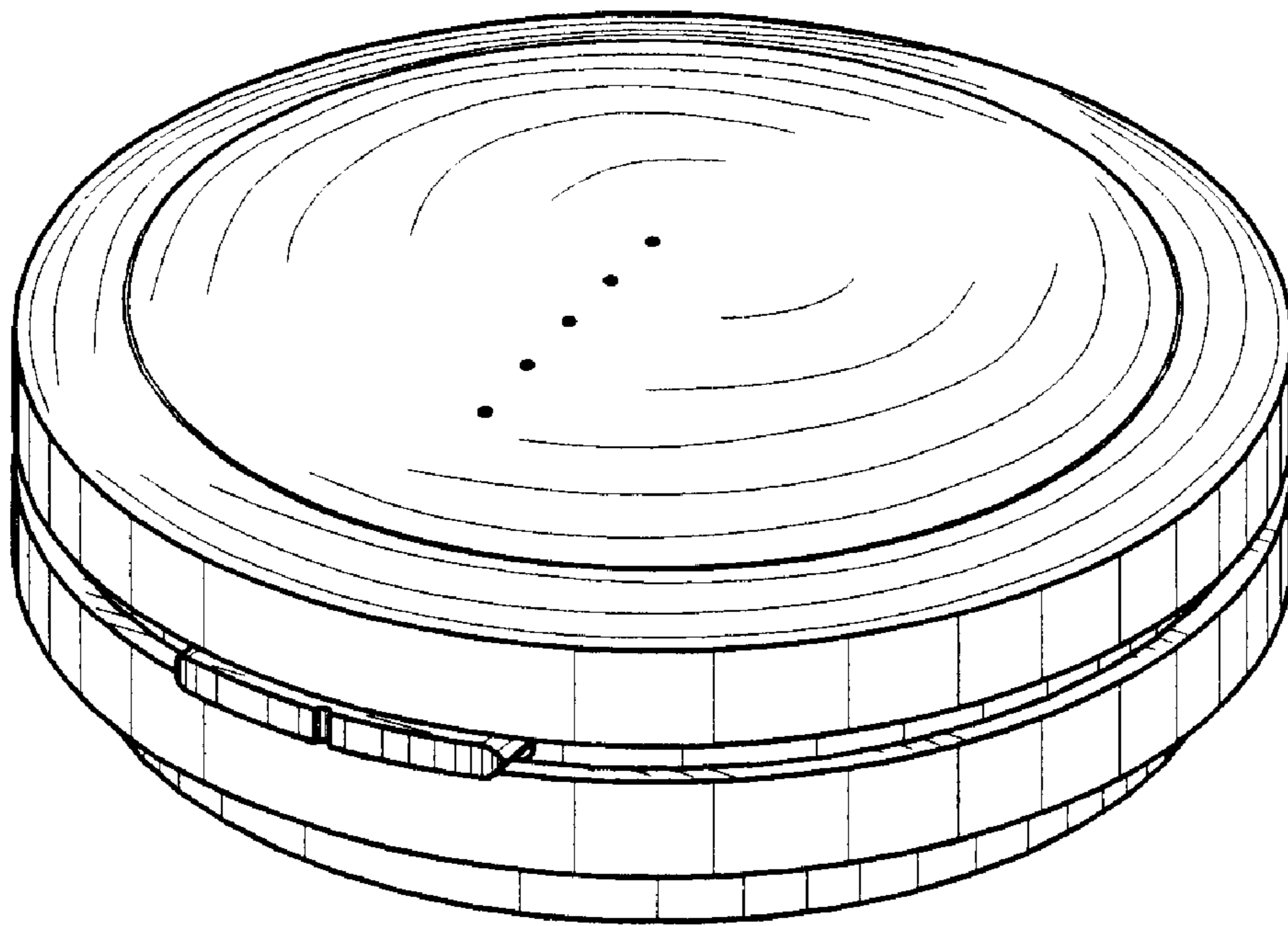


FIG. 7

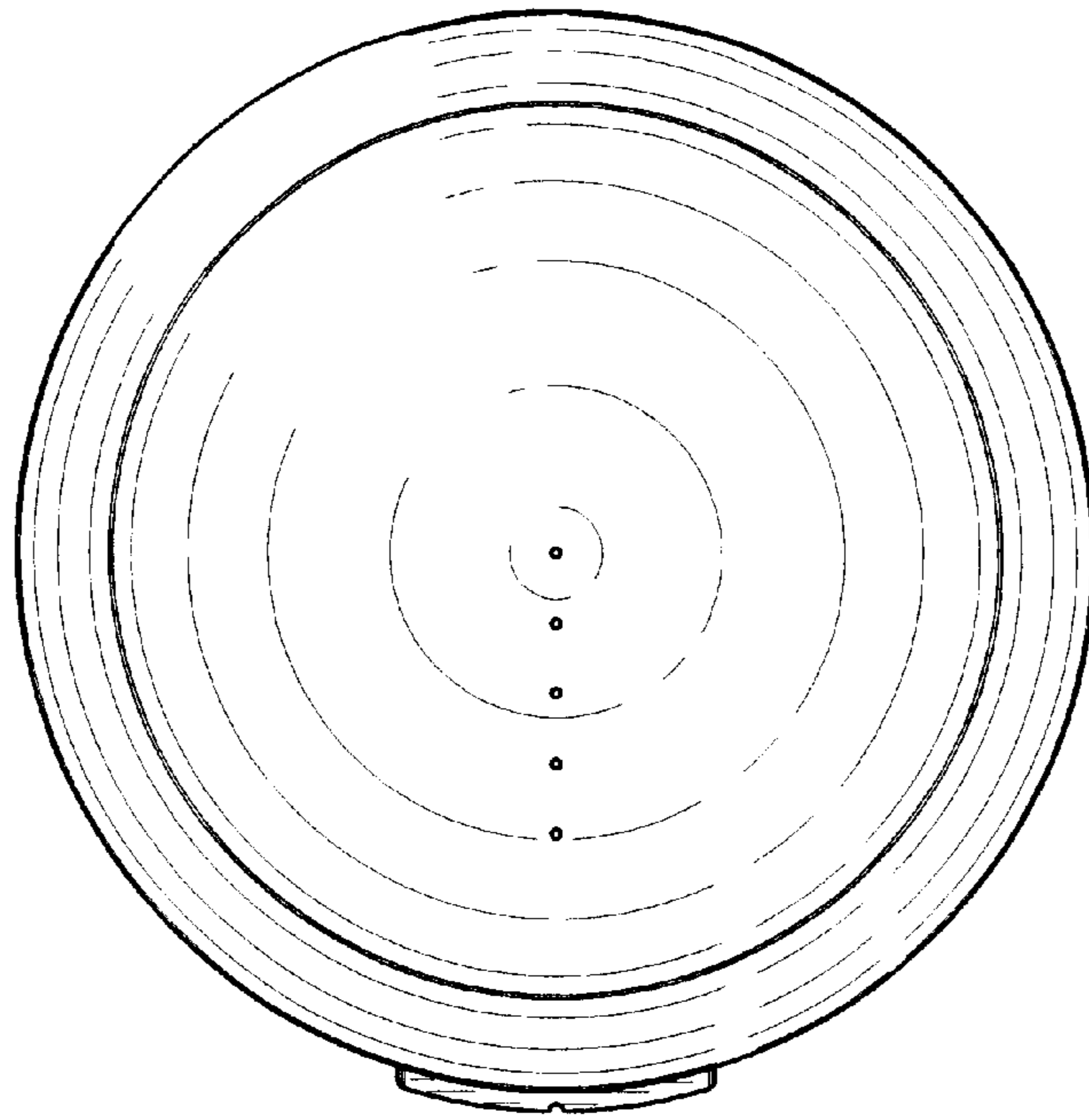


FIG. 8

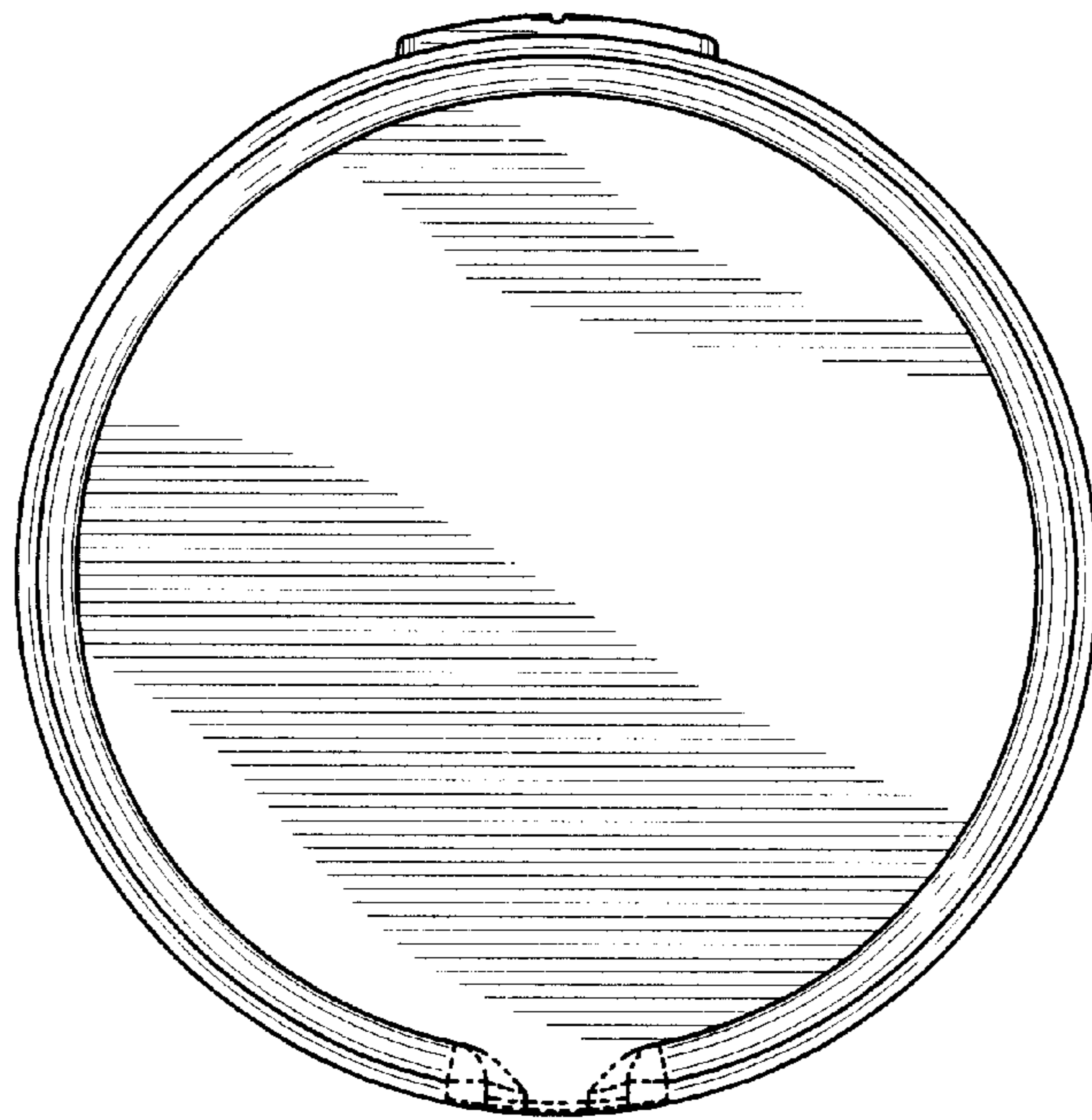


FIG. 9

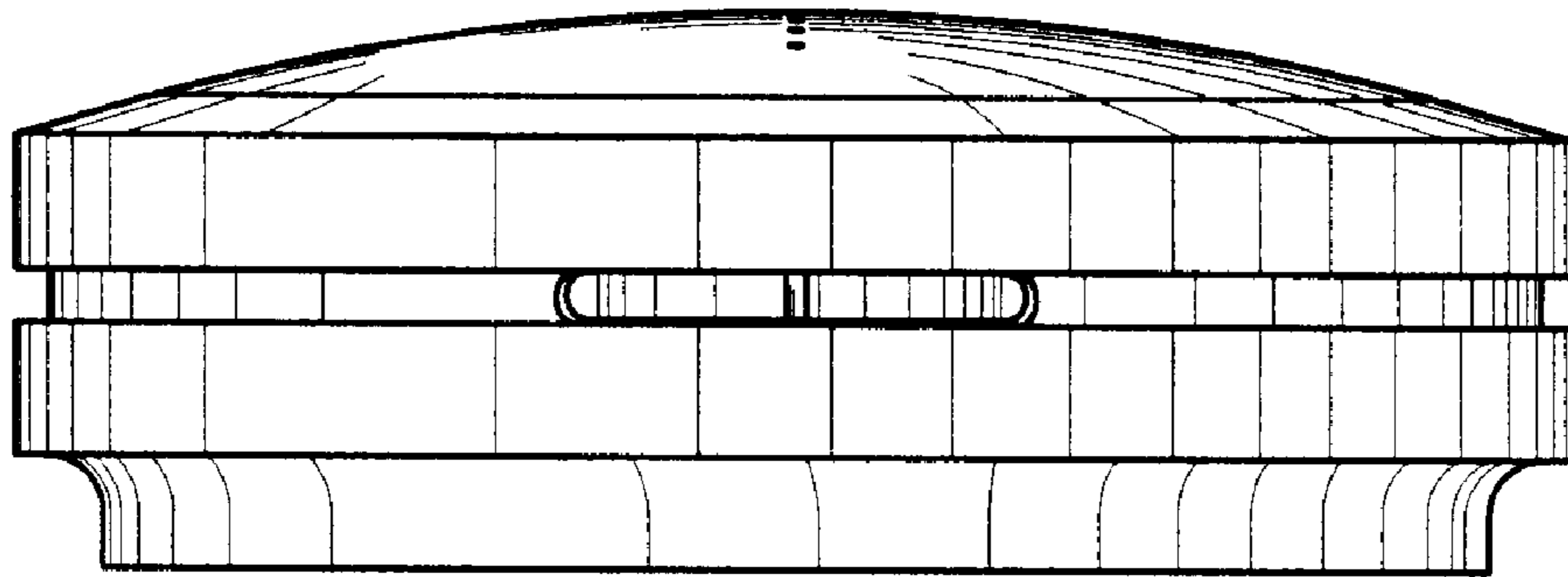


FIG. 10

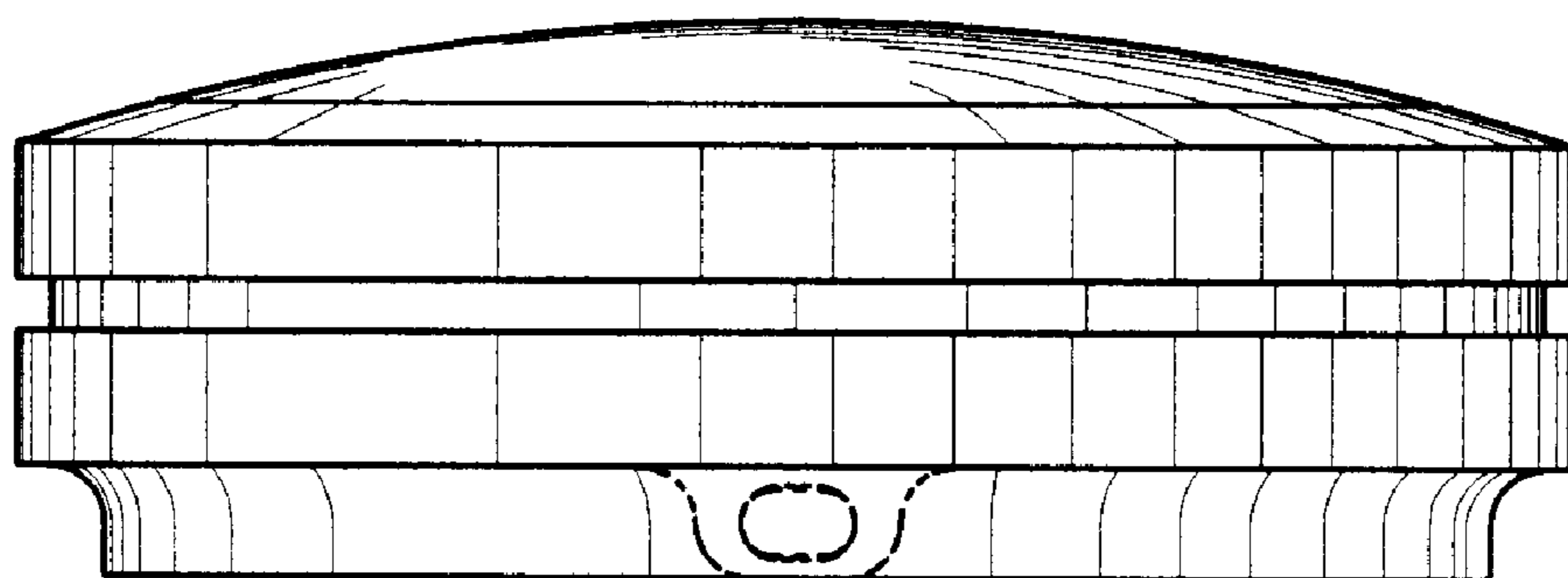


FIG. 11

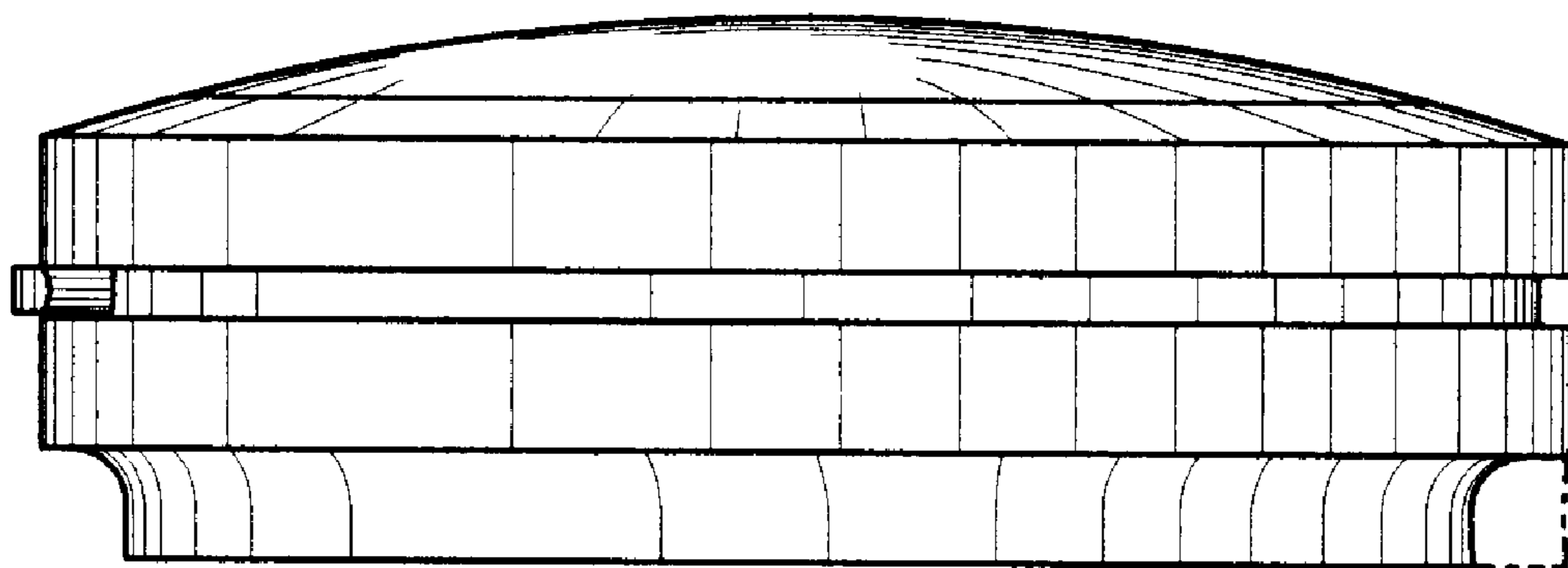


FIG. 12