



US00D515514S

(12) **United States Design Patent** (10) **Patent No.:** **US D515,514 S**  
**Butler et al.** (45) **Date of Patent:** **\*\* \*Feb. 21, 2006**

(54) **WALL-MOUNTABLE CONTROL PANEL**

(75) Inventors: **Nathan J. Butler**, Harleysville, PA (US); **Elliot G. Jacoby**, Glenside, PA (US); **Timothy S. Majewski**, New Tripoli, PA (US); **Noel Mayo**, Philadelphia, PA (US); **Stephen S. Thompson**, London (GB); **Joel S. Spira**, Coopersburg, PA (US)

(73) Assignee: **Lutron Electronics Co., Inc.**, Coopersburg, PA (US)

(\*) Notice: This patent is subject to a terminal disclaimer.

(\*\*) Term: **14 Years**

(21) Appl. No.: **29/214,144**

(22) Filed: **Sep. 28, 2004**

**Related U.S. Application Data**

(63) Continuation-in-part of application No. 29/209,920, filed on Jul. 23, 2004.

(51) **LOC (8) Cl.** ..... **13-03**

(52) **U.S. Cl.** ..... **D13/164**

(58) **Field of Classification Search** ..... D13/162, D13/164, 170, 171, 177; D8/350, 353; 174/66, 174/67; 200/5 A, 5 R, 237, 293, 308, 310, 200/313, 314, 329, 341; 315/291, 295, 320; 338/184, 226

See application file for complete search history.

(56) **References Cited**

**U.S. PATENT DOCUMENTS**

D287,242 S	*	12/1986	Liss et al.	.....	D13/177
D313,738 S	*	1/1991	Mayo et al.	.....	D8/353
5,030,893 A	*	7/1991	Spira et al.	.....	315/294
5,463,286 A	*	10/1995	D'Aleo et al.	.....	315/295
5,848,054 A	*	12/1998	Mosebrook et al.	.....	370/226
D436,930 S	*	1/2001	Butler	.....	D13/162
D453,742 S	*	2/2002	Butler et al.	.....	D13/164
D456,783 S	*	5/2002	Mayo et al.	.....	D13/164
D490,061 S	*	5/2004	Bennett et al.	.....	D13/169

\* cited by examiner

*Primary Examiner*—Stella Reid

*Assistant Examiner*—Selina Sikder

(74) *Attorney, Agent, or Firm*—Drinker Biddle & Reath LLP

(57) **CLAIM**

The ornamental design for a wall-mountable control panel, as shown and described.

**DESCRIPTION**

FIG. 1 is a front perspective view of a wall-mountable control panel showing a first embodiment of our new design.

FIG. 2 is a front elevation view thereof.

FIG. 3 is a bottom view thereof.

FIG. 4 is a top view thereof.

FIG. 5 is a left side view thereof.

FIG. 6 is a right side view thereof.

FIG. 7 is a front perspective view of a wall-mountable control panel according to a second embodiment of our new design.

FIG. 8 is a front elevation view thereof, the bottom, top, left side, and right side views being identical to those of the first embodiment.

FIG. 9 is a front perspective view of a wall-mountable control panel according to a third embodiment of our new design.

FIG. 10 is a front elevation view thereof, the bottom, top, left side, and right side views being identical to those of the first embodiment.

FIG. 11 is a front perspective view of a wall-mountable control panel according to a fourth embodiment of our new design.

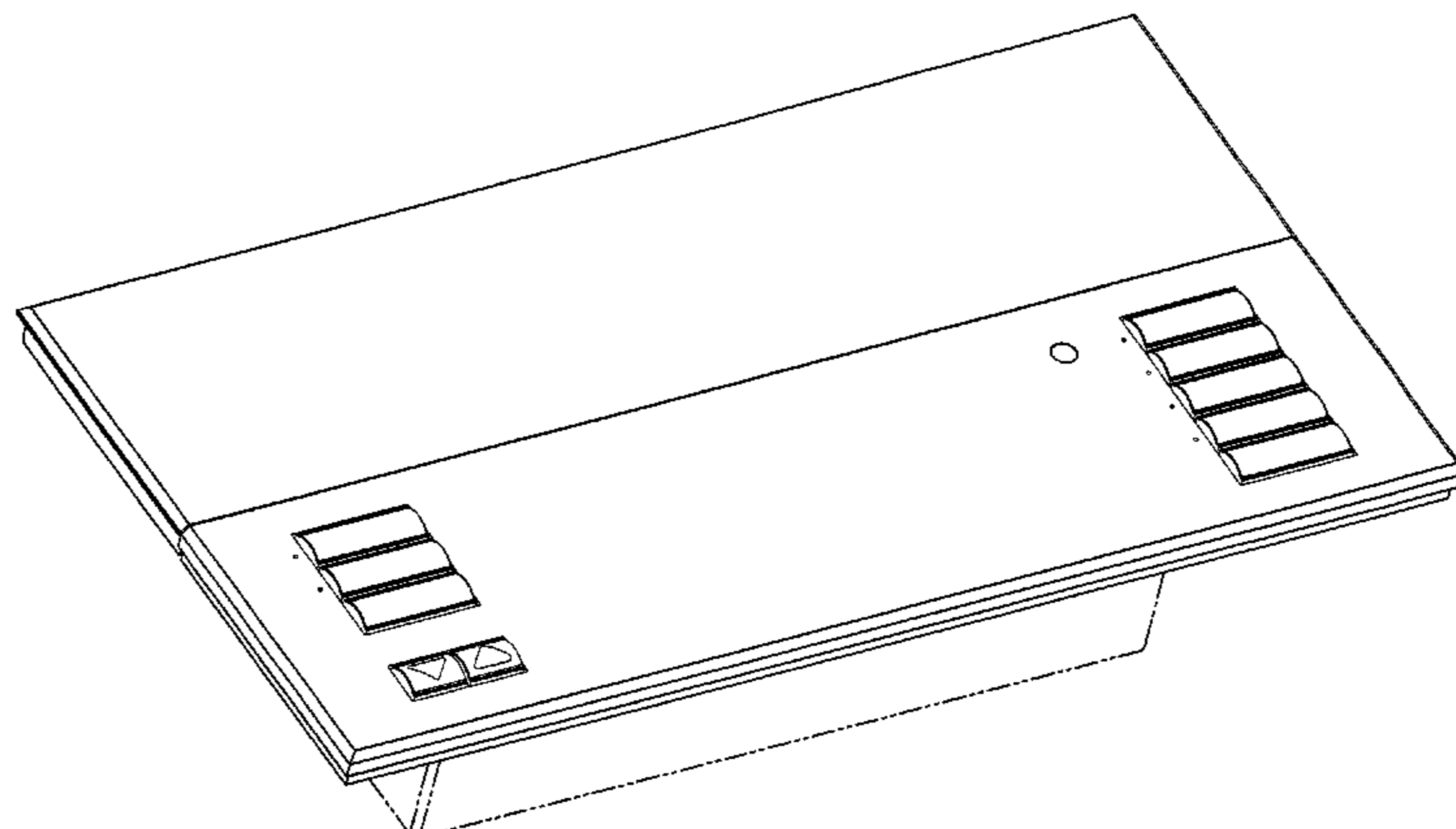
FIG. 12 is a front elevation view thereof, the bottom, top, left side, and right side views being identical to those of the first embodiment.

FIG. 13 is a front perspective view of a wall-mountable control panel according to a fifth embodiment of our new design; and,

FIG. 14 is a front elevation view thereof, the bottom, top, left side, and right side views being identical to those of the first embodiment.

The portions of the drawings appearing in broken line are for environment only and do not form a part of the design.

**1 Claim, 13 Drawing Sheets**



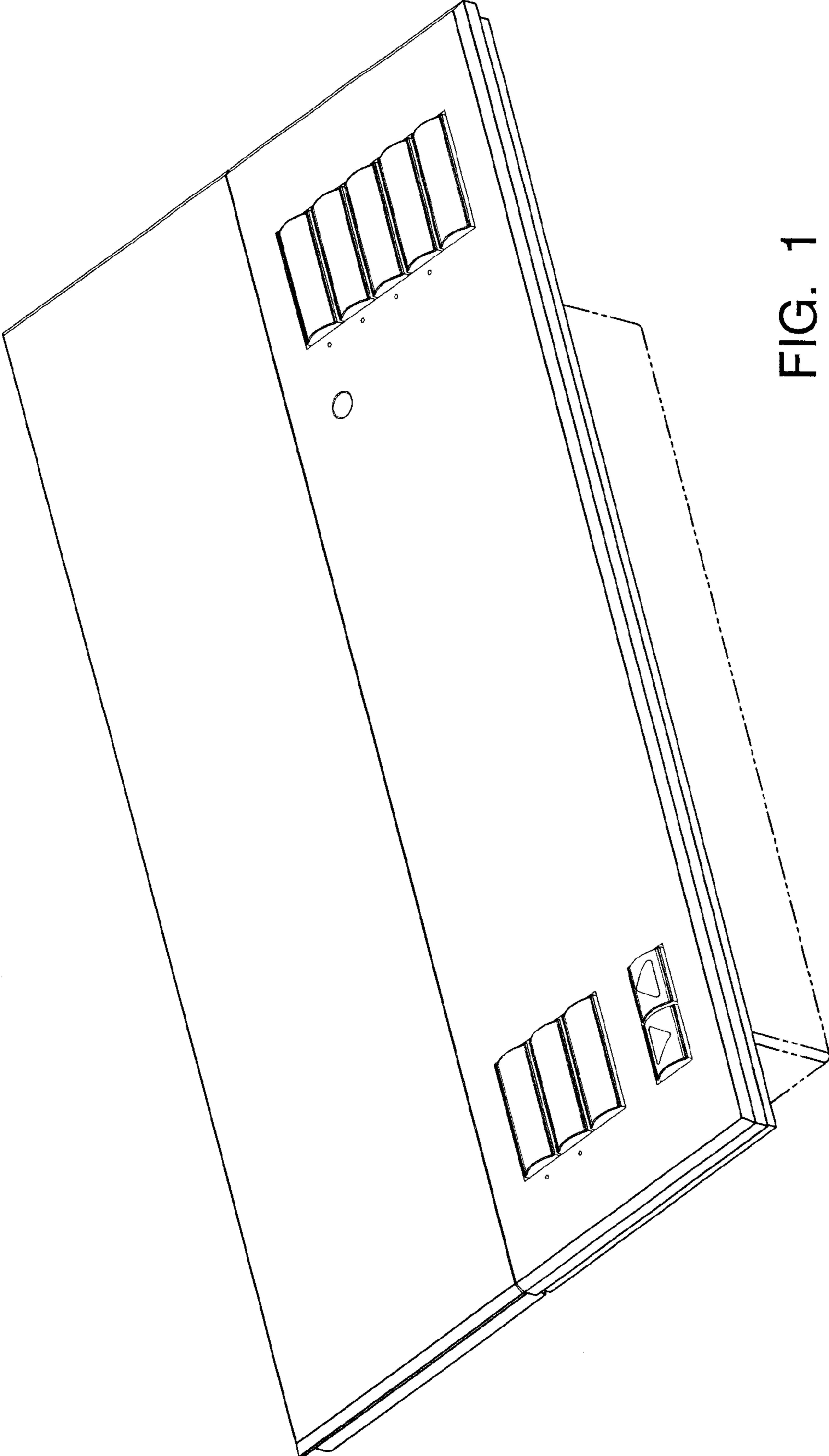


FIG. 1

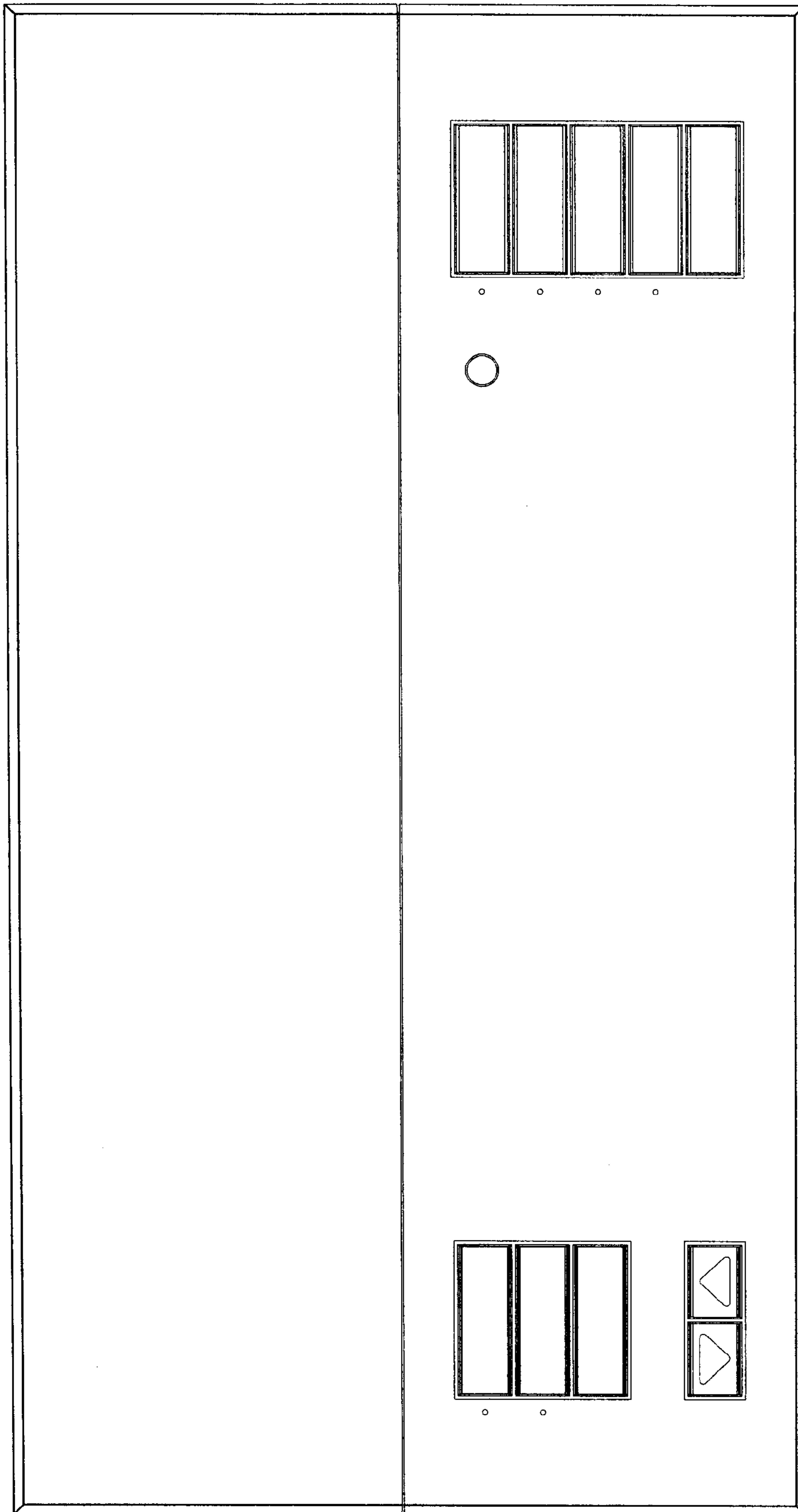


FIG. 2

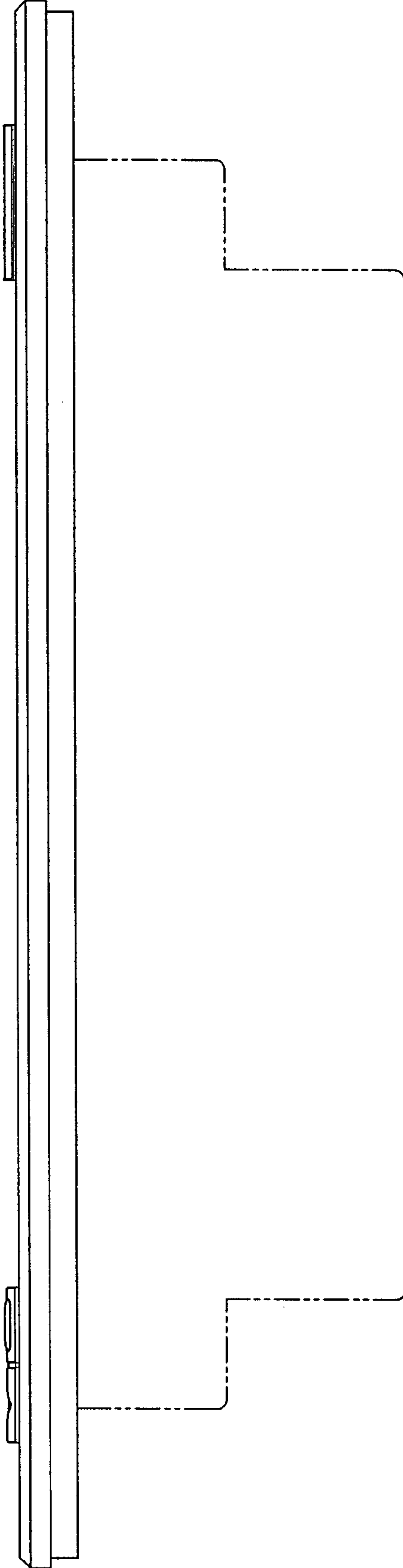


FIG. 3

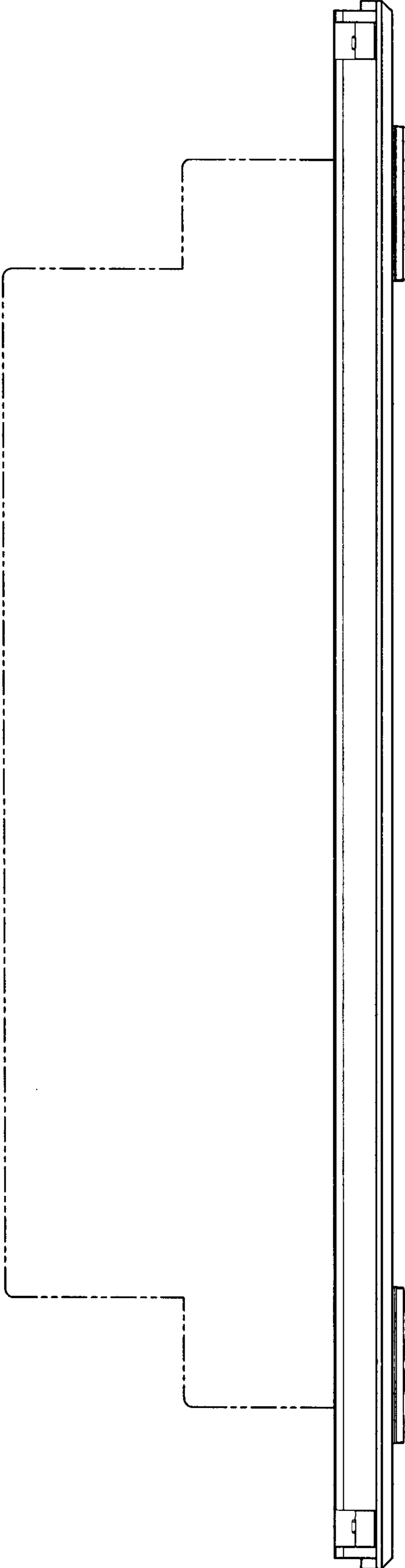


FIG. 4

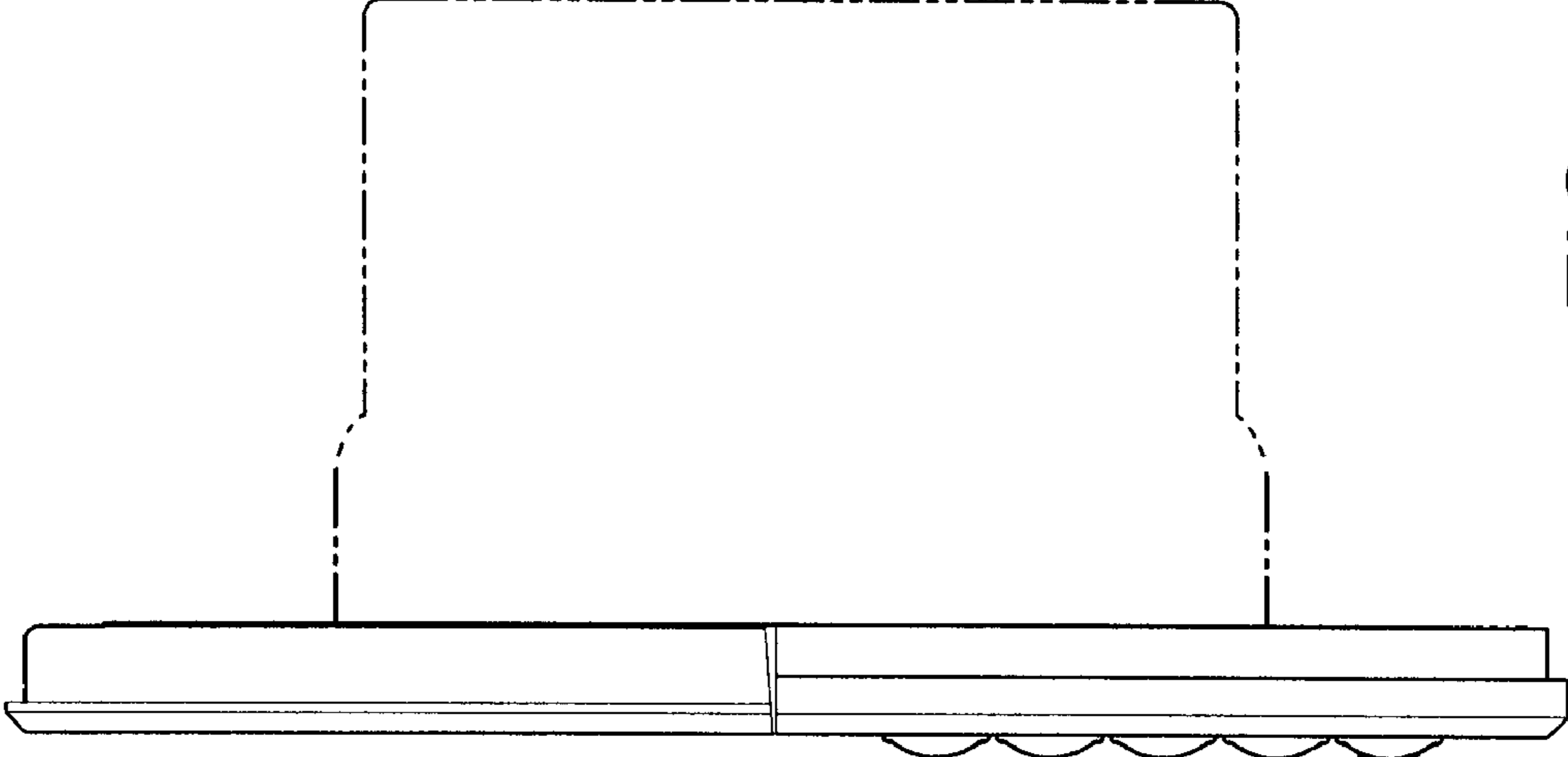


FIG. 5

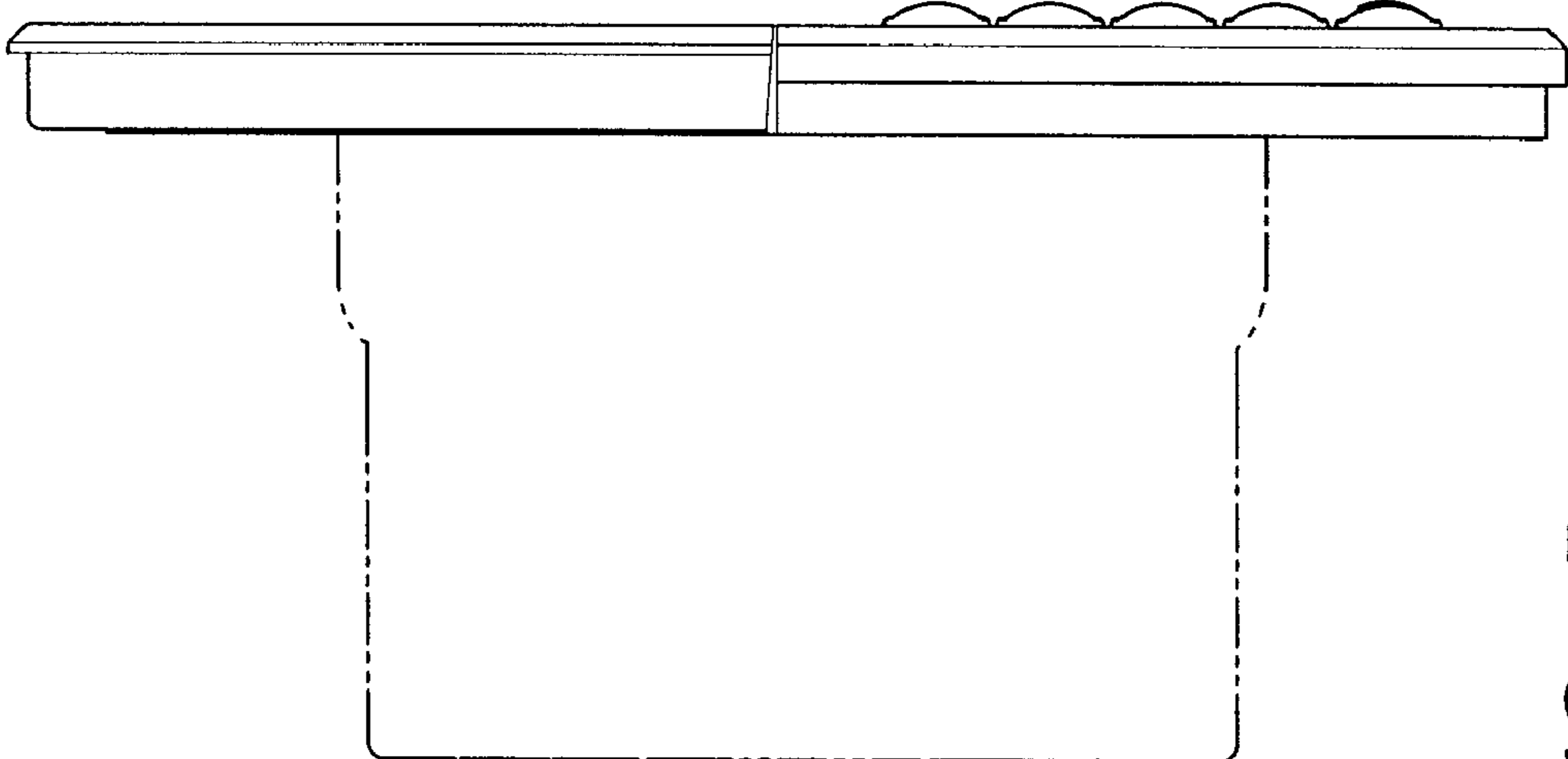


FIG. 6

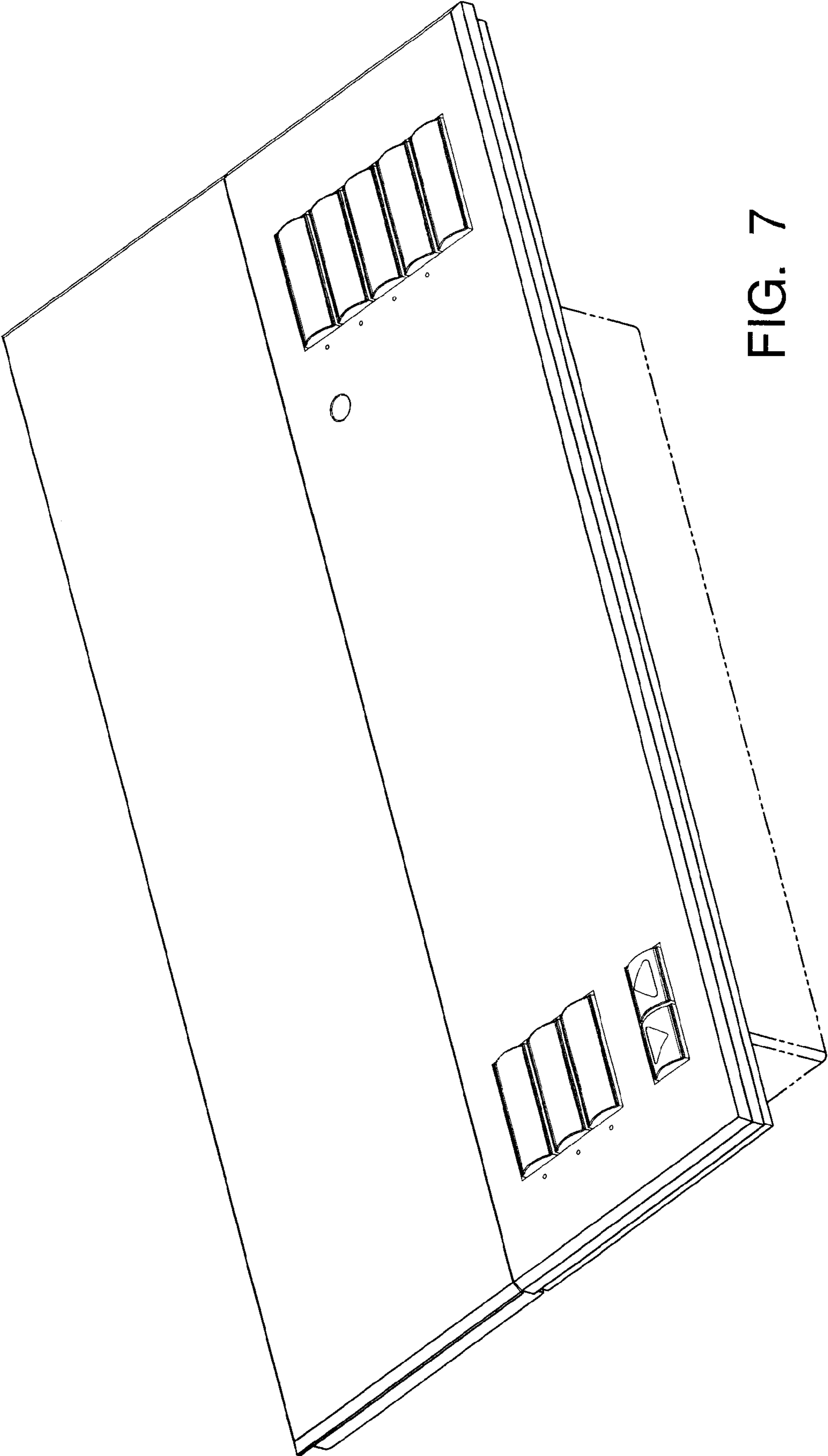


FIG. 7

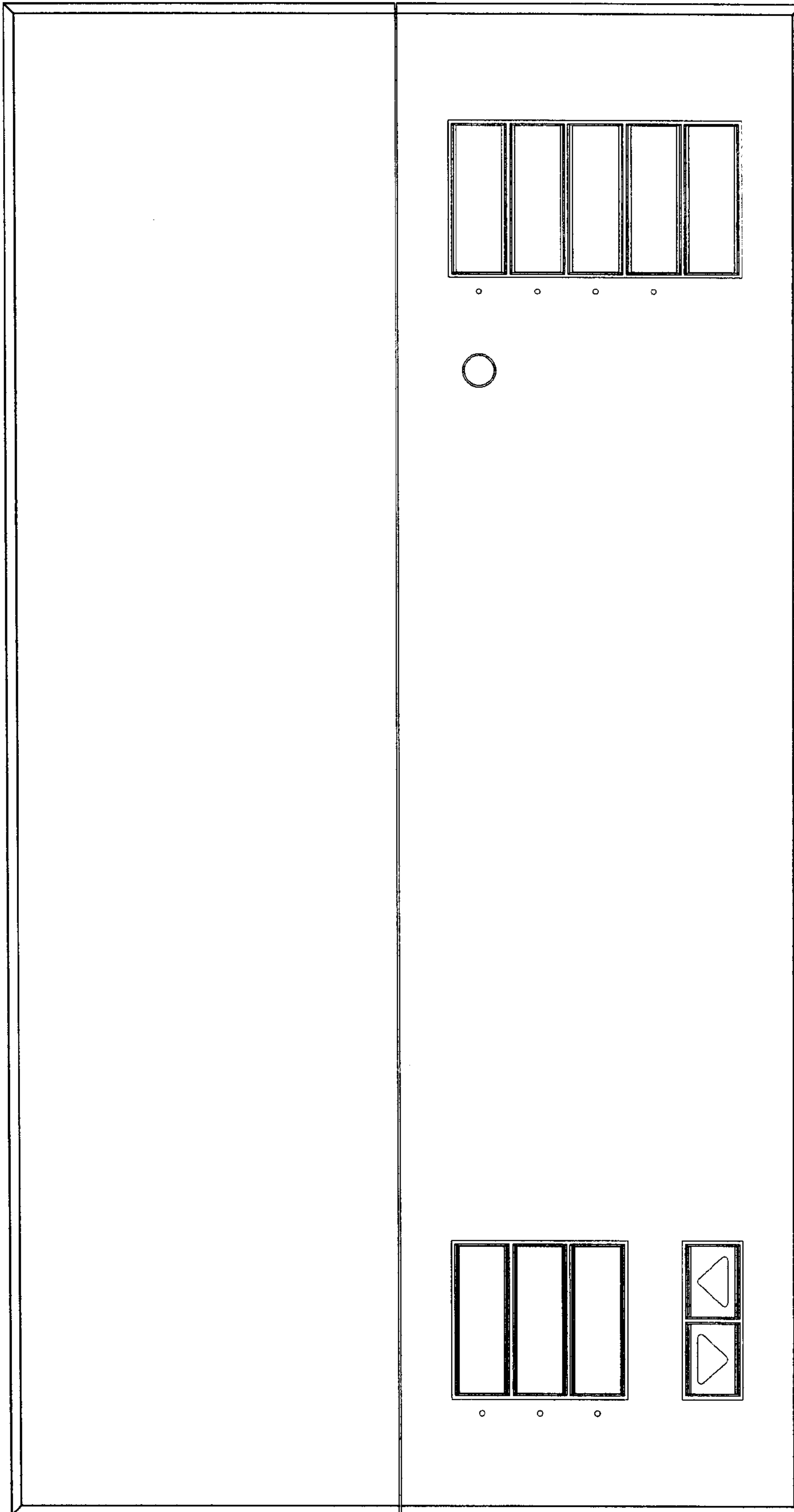


FIG. 8



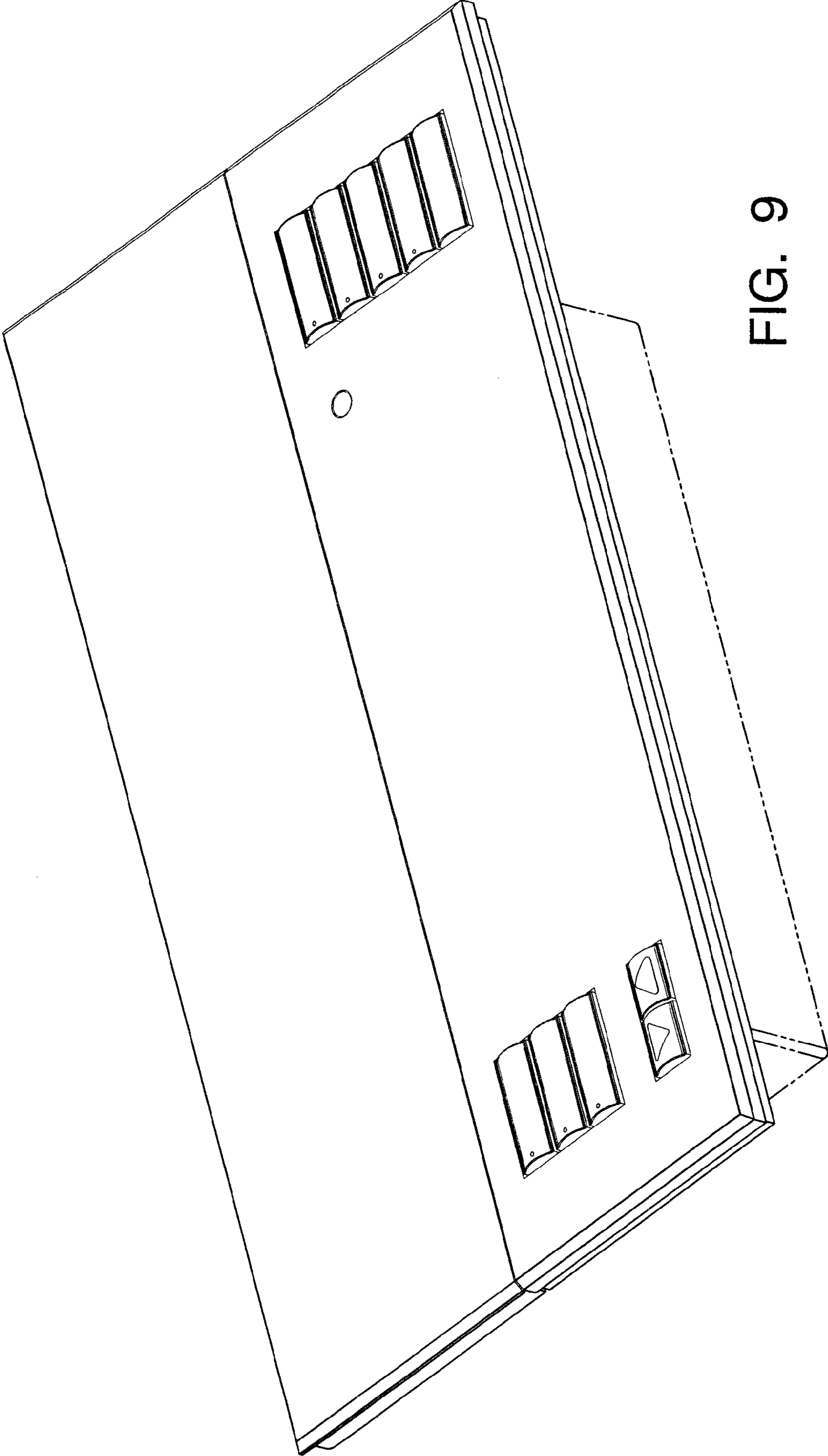


FIG. 9

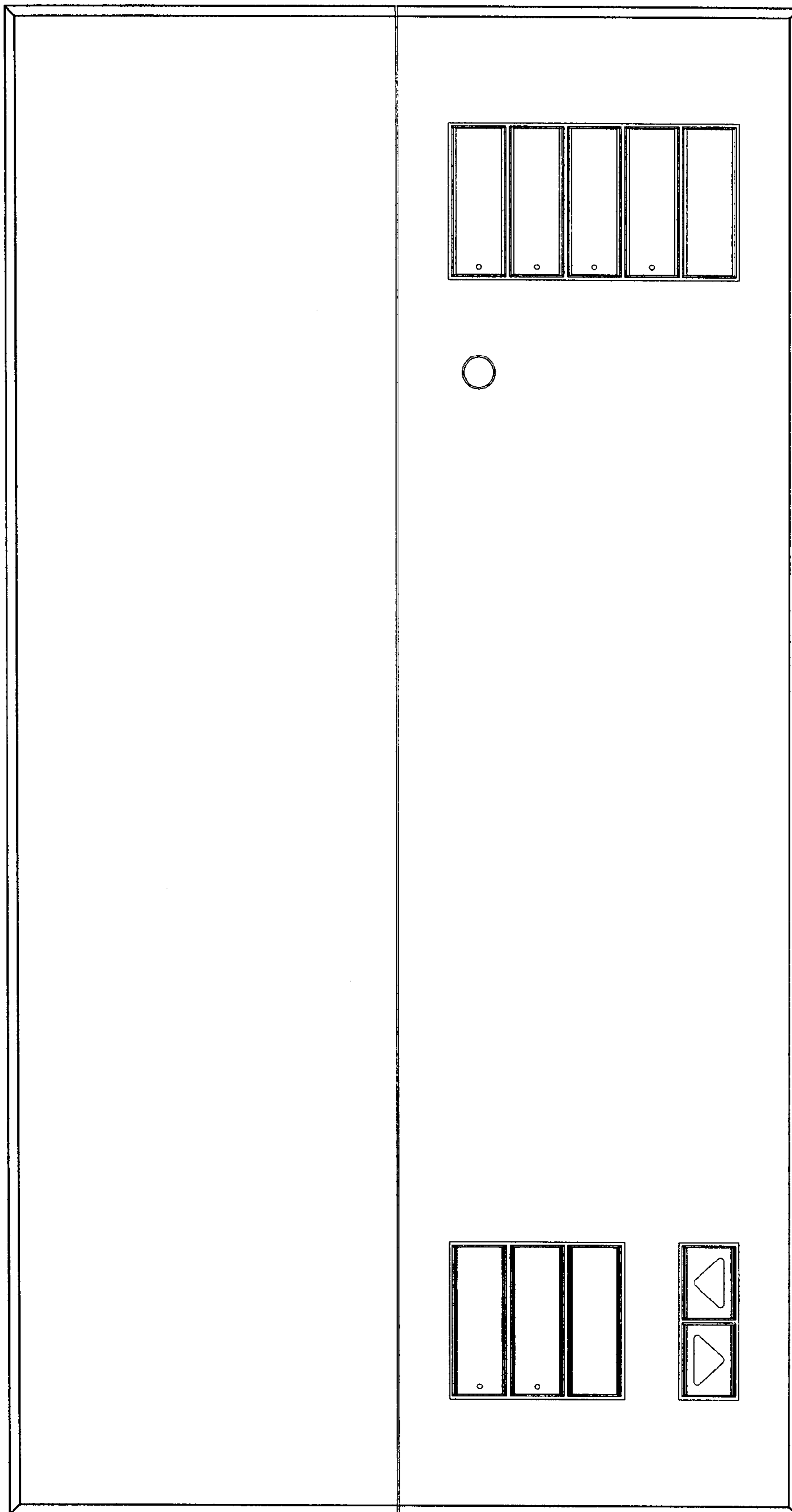


FIG. 10

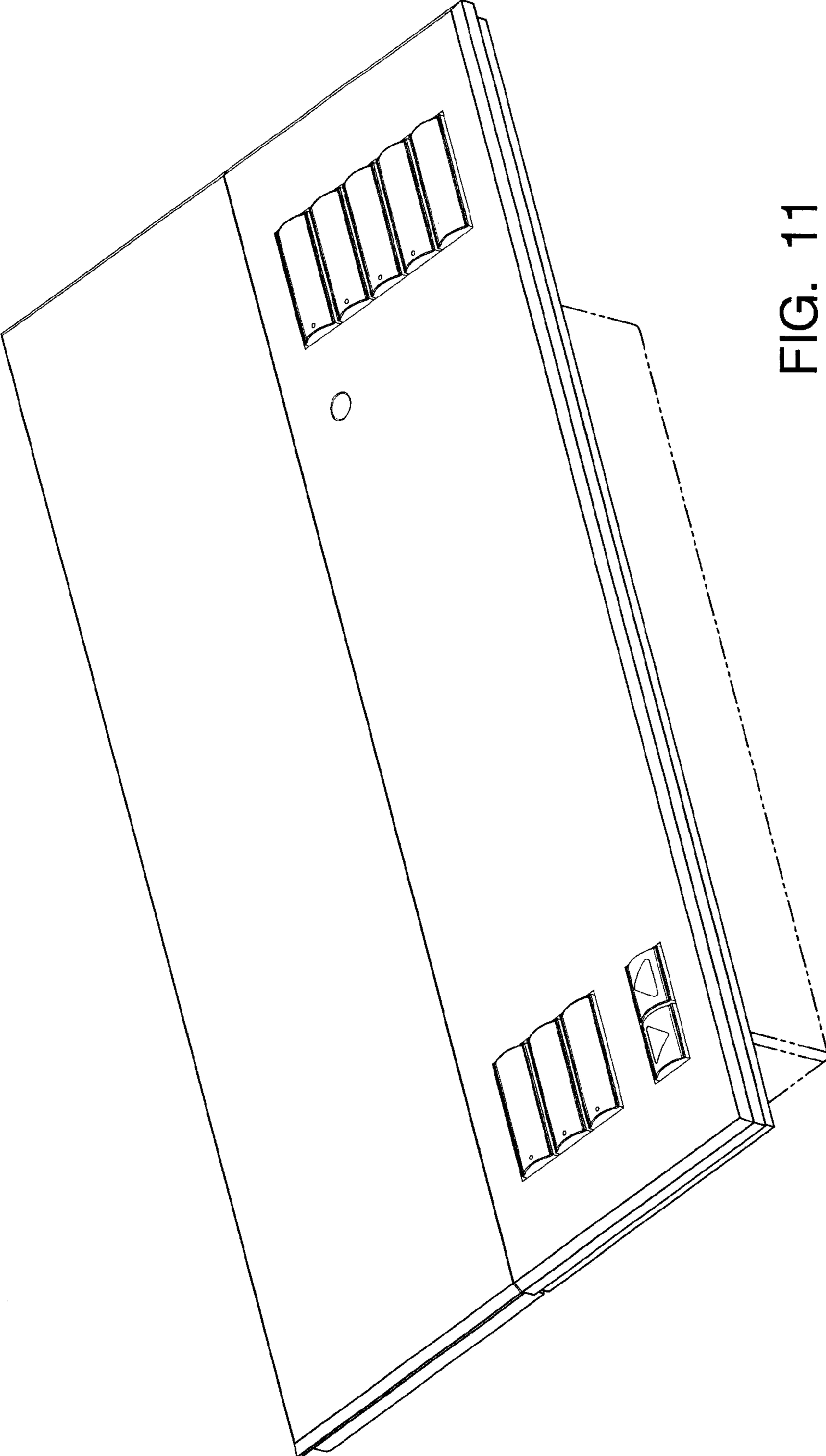


FIG. 11

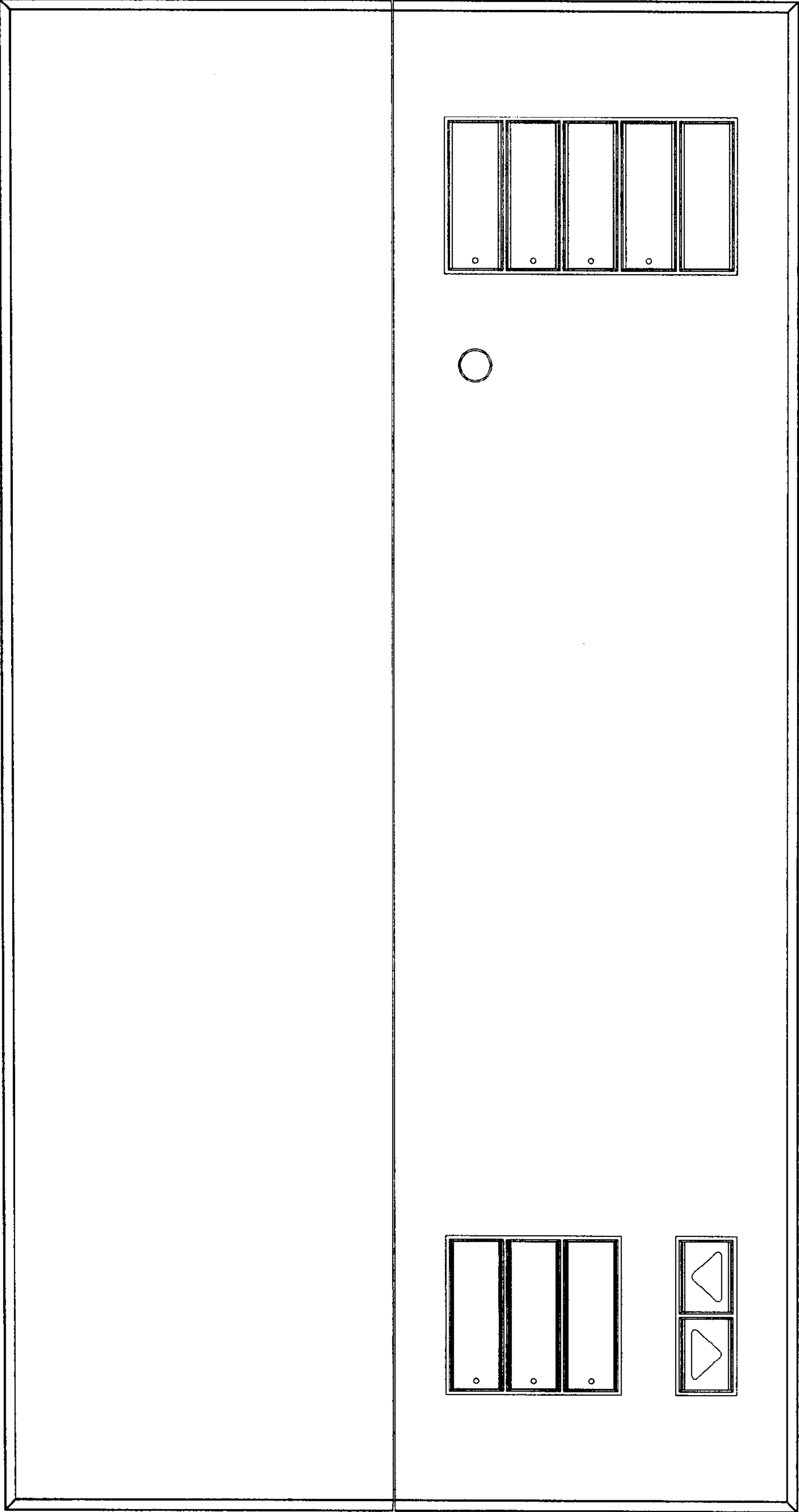


FIG. 12

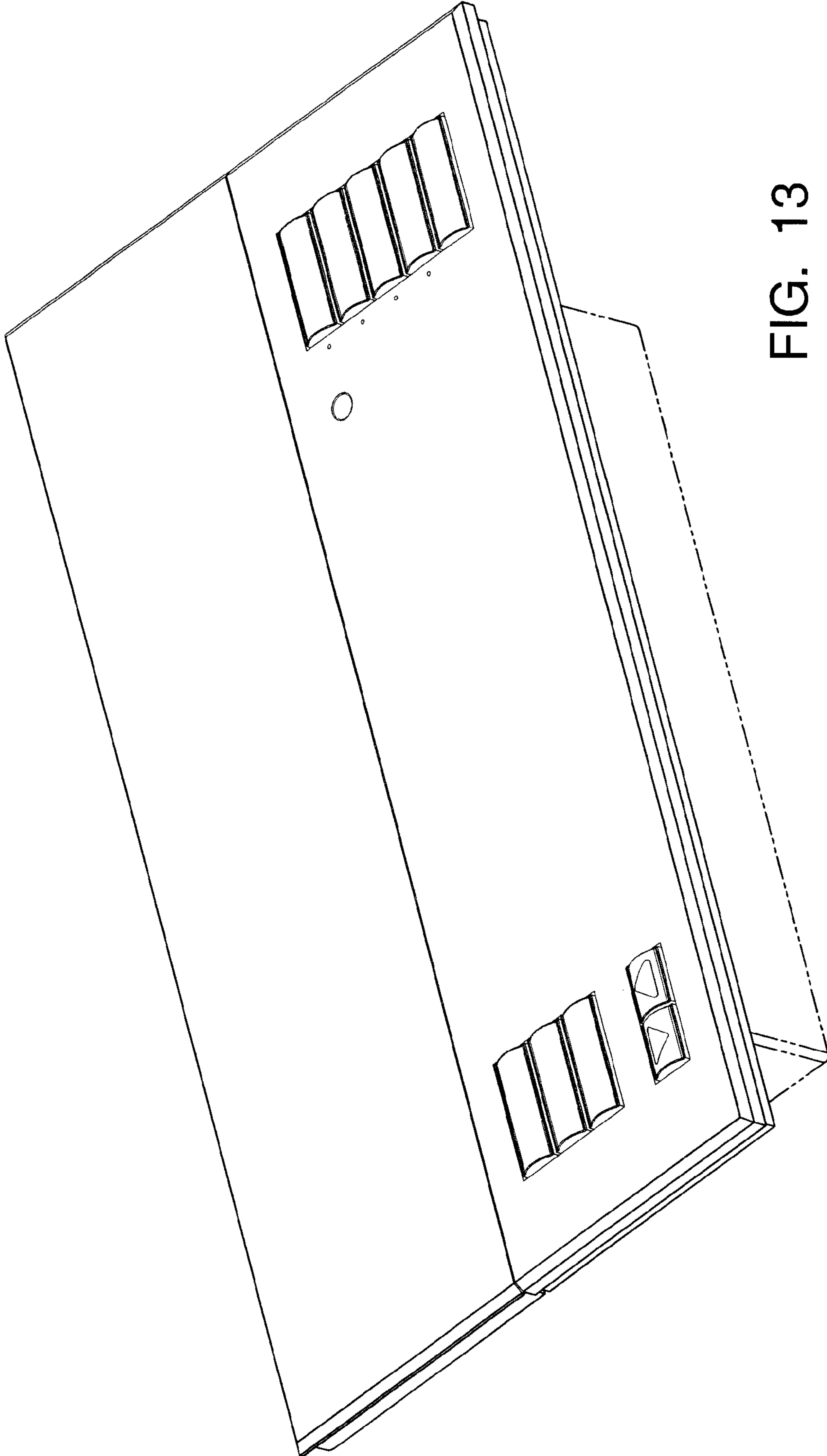


FIG. 13

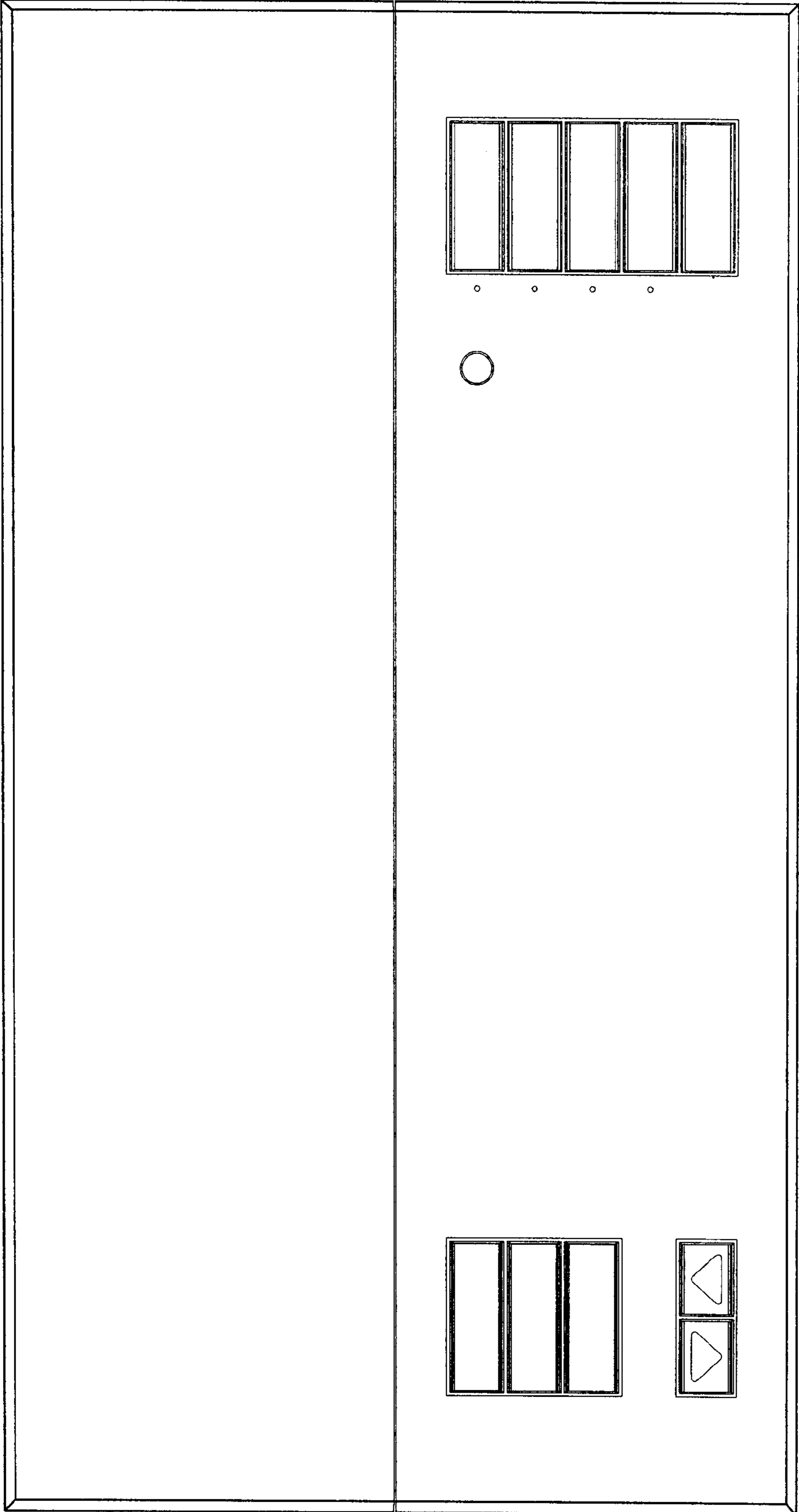


FIG. 14