



US00D515513S

(12) **United States Design Patent** (10) **Patent No.:** **US D515,513 S**
Butler et al. (45) **Date of Patent:** **** *Feb. 21, 2006**

(54) **WALL-MOUNTABLE CONTROL PANEL**

(56) **References Cited**

(75) Inventors: **Nathan J. Butler**, Harleysville, PA (US); **Elliot G. Jacoby**, Glenside, PA (US); **Timothy S. Majewski**, New Tripoli, PA (US); **Noel Mayo**, Philadelphia, PA (US); **Stephen S. Thompson**, London (GB); **Joel S. Spira**, Coopersburg, PA (US)

U.S. PATENT DOCUMENTS

D287,242 S	*	12/1986	Liss et al.	D13/177
D313,738 S	*	1/1991	Mayo et al.	D8/353
5,030,893 A	*	7/1991	Spira et al.	178/18.08
5,463,286 A	*	10/1995	D'Aleo et al.	315/295
D436,930 S	*	1/2001	Butler	D13/162
D453,742 S	*	2/2002	Butler et al.	D13/164
D456,783 S	*	5/2002	Mayo et al.	D13/164
D490,061 S	*	5/2004	Bennett et al.	D13/169

(73) Assignee: **Lutron Electronics Co., Inc.**, Coopersburg, PA (US)

* cited by examiner

(*) Notice: This patent is subject to a terminal disclaimer.

Primary Examiner—Stella Reid
Assistant Examiner—Selina Sikder
(74) *Attorney, Agent, or Firm*—Drinker Biddle & Reath LLP

(**) Term: **14 Years**

(21) Appl. No.: **29/214,122**

(57) **CLAIM**

(22) Filed: **Sep. 28, 2004**

The ornamental design for a wall-mountable control panel, as shown and described.

Related U.S. Application Data

DESCRIPTION

(63) Continuation-in-part of application No. 29/209,996, filed on Jul. 23, 2004.

(51) **LOC (8) Cl.** **13-03**

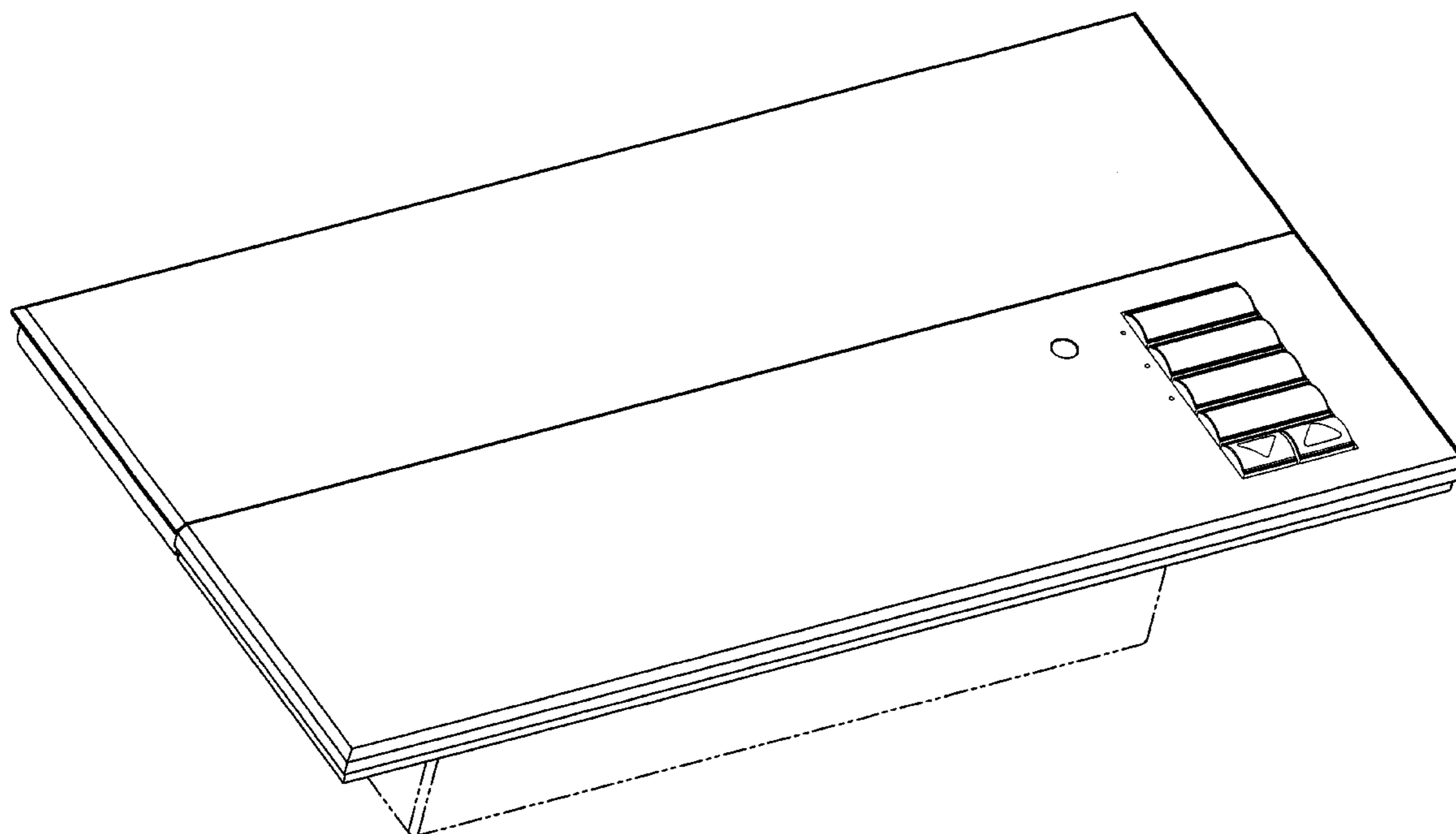
(52) **U.S. Cl.** **D13/164**

(58) **Field of Classification Search** D13/162, D13/164, 170, 171, 177; D8/350, 353; 174/66, 174/67; 200/5 A, 5 R, 237, 293, 308, 310, 200/313, 314, 329, 341; 315/291, 295, 320; 338/184, 226

FIG. 1 is a front perspective view of a wall-mountable control panel showing our new design. FIG. 2 is a front elevation view thereof. FIG. 3 is a bottom view thereof. FIG. 4 is a top view thereof. FIG. 5 is a left side view thereof; and, FIG. 6 is a right side view thereof. The portions of the drawings appearing in broken line are for environment only and do not form a part of the design.

See application file for complete search history.

1 Claim, 5 Drawing Sheets



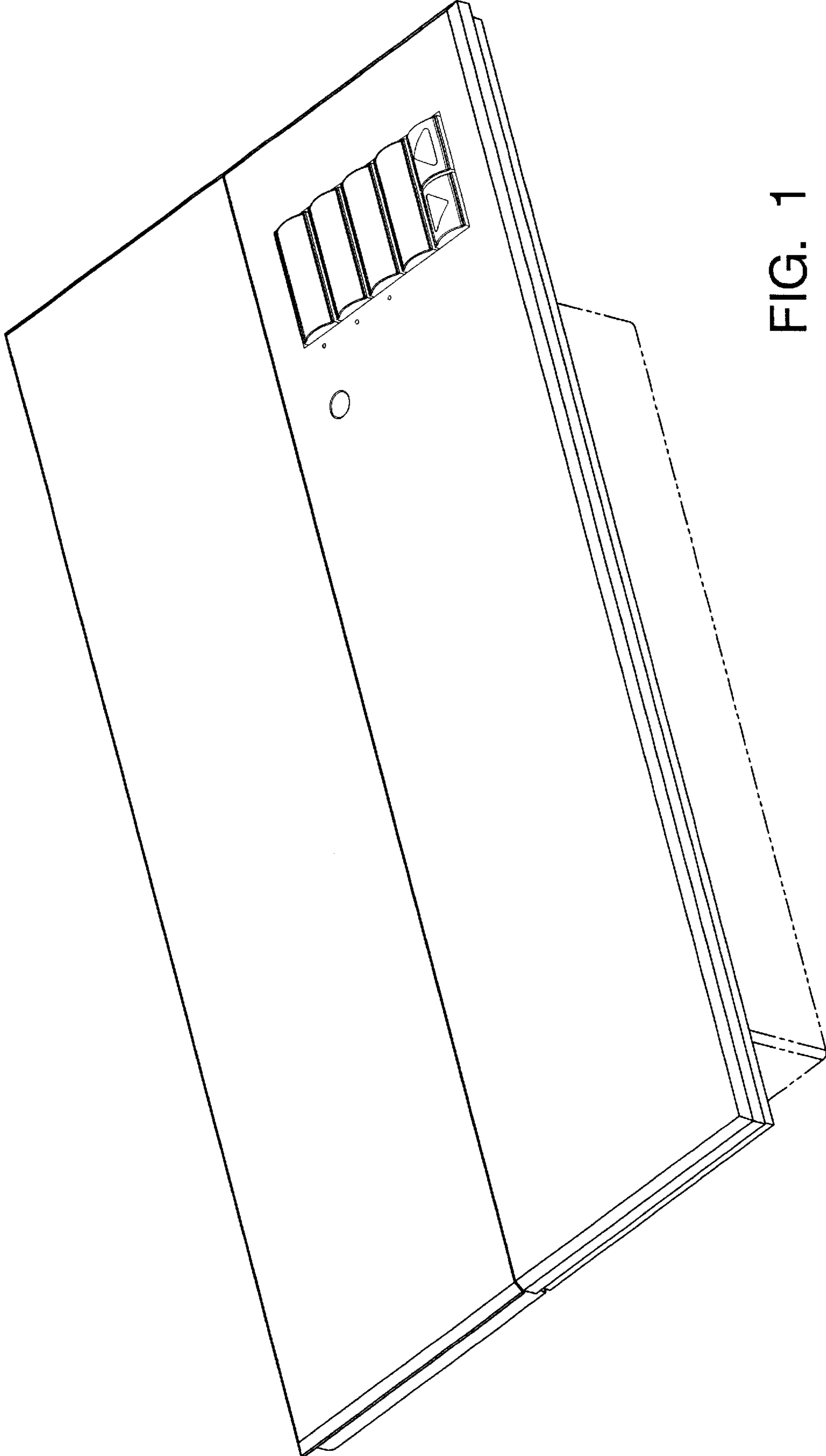


FIG. 1

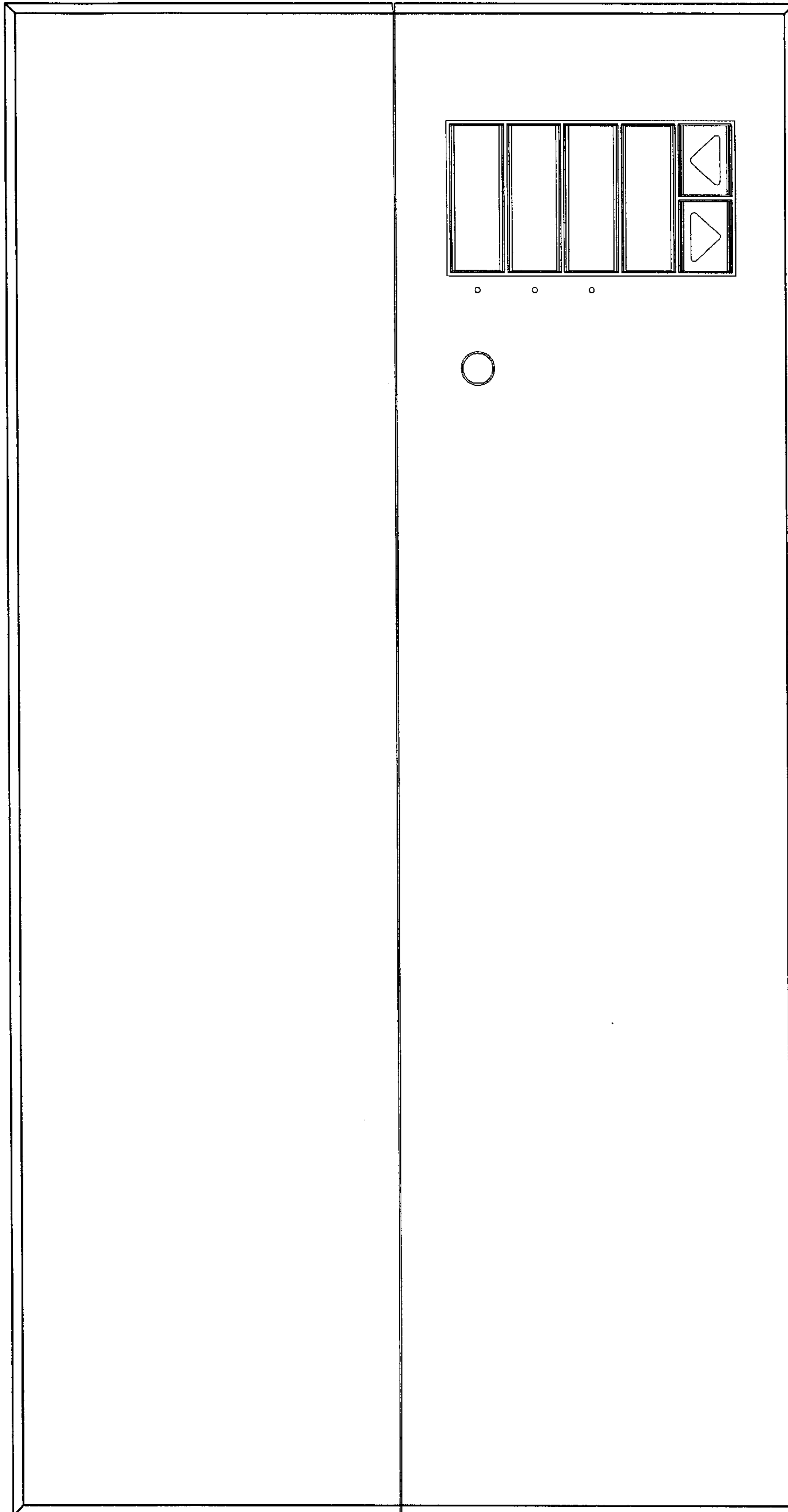


FIG. 2

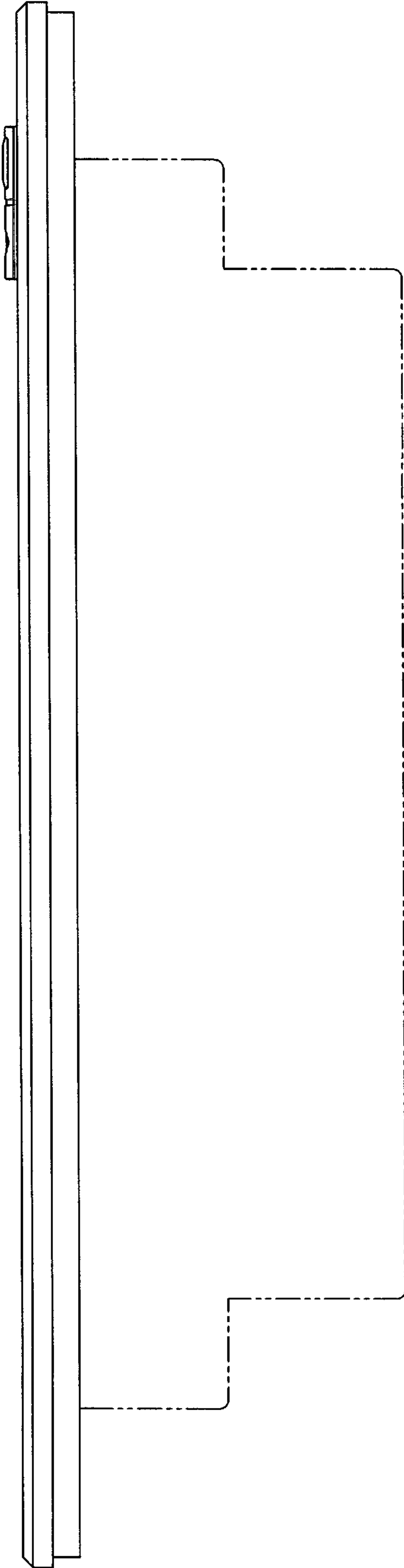


FIG. 3

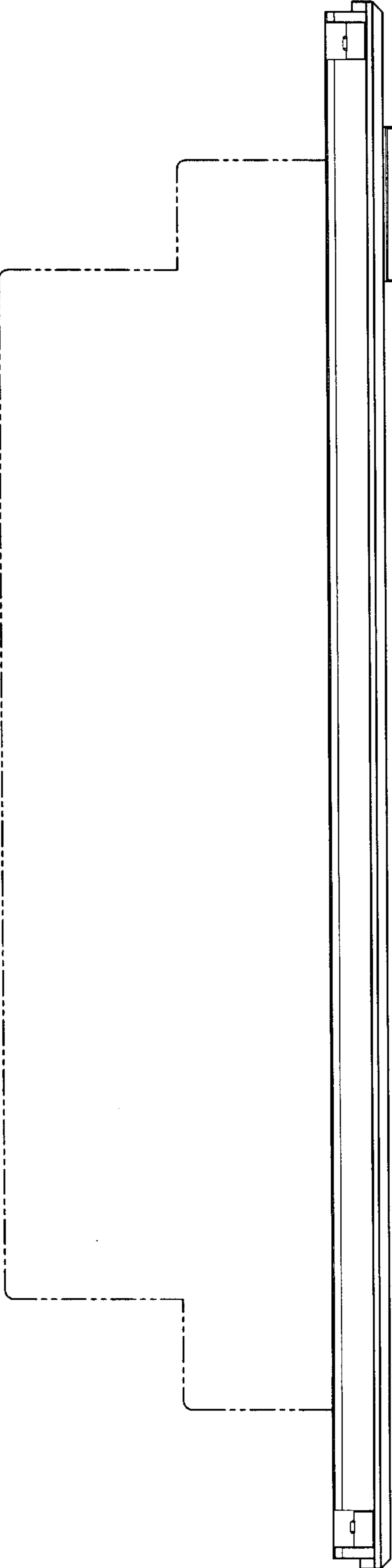


FIG. 4



FIG. 6

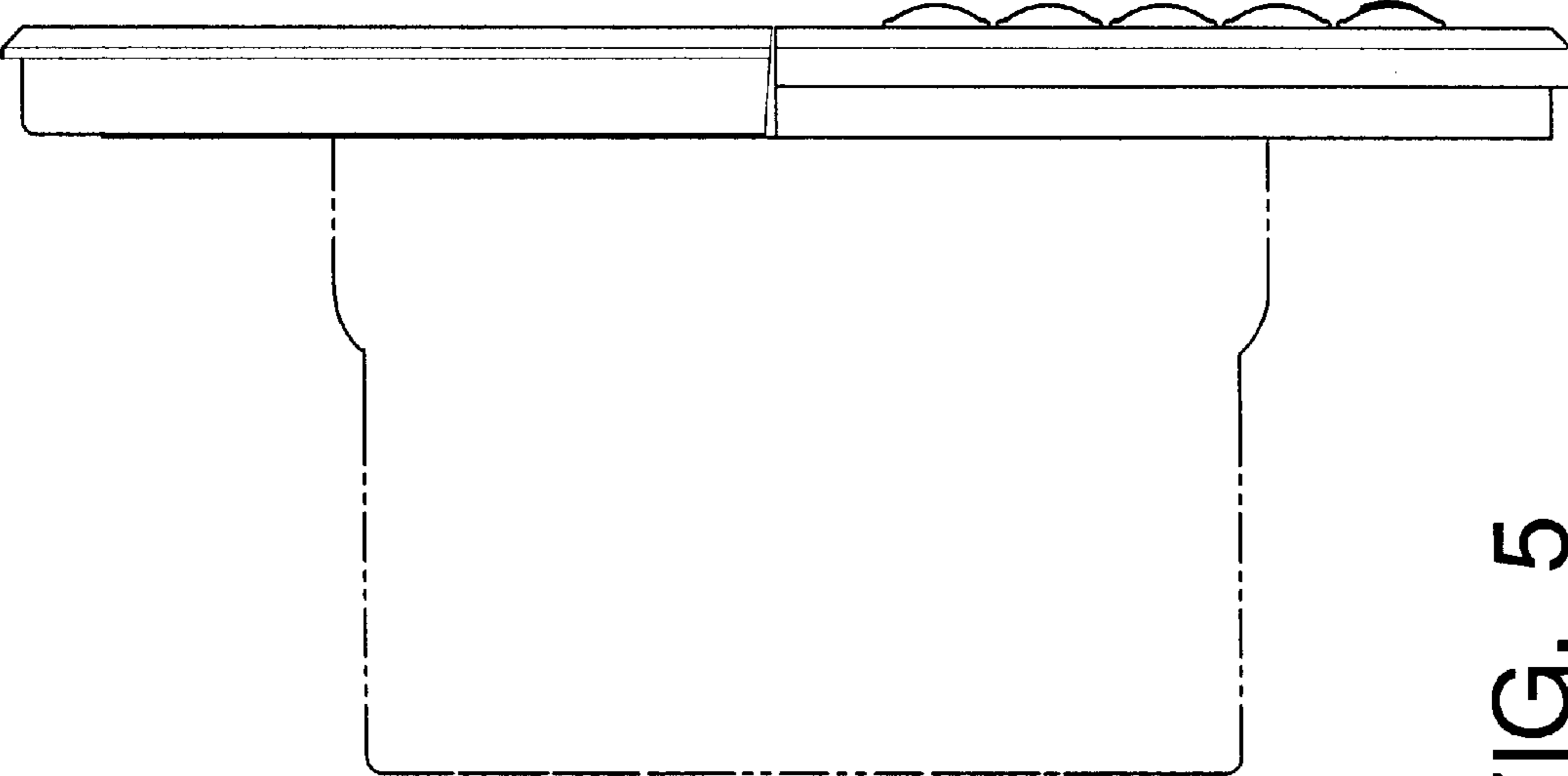


FIG. 5