



US00D515510S

(12) **United States Design Patent**
Huang

(10) **Patent No.:** **US D515,510 S**

(45) **Date of Patent:** **** Feb. 21, 2006**

(54) **ELECTRICAL CONNECTOR**

(76) **Inventor:** **George Ying-Liang Huang, 9**
Studebaker, Irvine, CA (US) 92618

(**) **Term:** **14 Years**

(21) **Appl. No.:** **29/222,569**

(22) **Filed:** **Feb. 1, 2005**

(51) **LOC (8) Cl.** **13-03**

(52) **U.S. Cl.** **D13/147**

(58) **Field of Classification Search** D13/133,
D13/146, 147, 153-154, 184, 199; 439/352,
439/359, 362, 607-610, 680, 686
See application file for complete search history.

(56) **References Cited**

U.S. PATENT DOCUMENTS

4,722,022	A	*	1/1988	Myers et al.	361/818
4,846,724	A	*	7/1989	Sasaki et al.	439/610
5,358,428	A	*	10/1994	Bixler et al.	439/607
D406,819	S	*	3/1999	Taguchi	D13/154
5,989,051	A	*	11/1999	Zelno et al.	439/362
6,116,942	A	*	9/2000	Chen et al.	439/362
6,200,168	B1	*	3/2001	Ko	439/677

D443,862	S	*	6/2001	Milan	D13/154
D460,050	S	*	7/2002	Haines et al.	D13/147
D468,266	S	*	1/2003	Huang	D13/147
D473,848	S	*	4/2003	Zheng et al.	D13/147
6,848,926	B2	*	2/2005	Ling et al.	439/304

* cited by examiner

Primary Examiner—Stella Reid
Assistant Examiner—Daniel Bui
(74) *Attorney, Agent, or Firm*—Darby & Darby

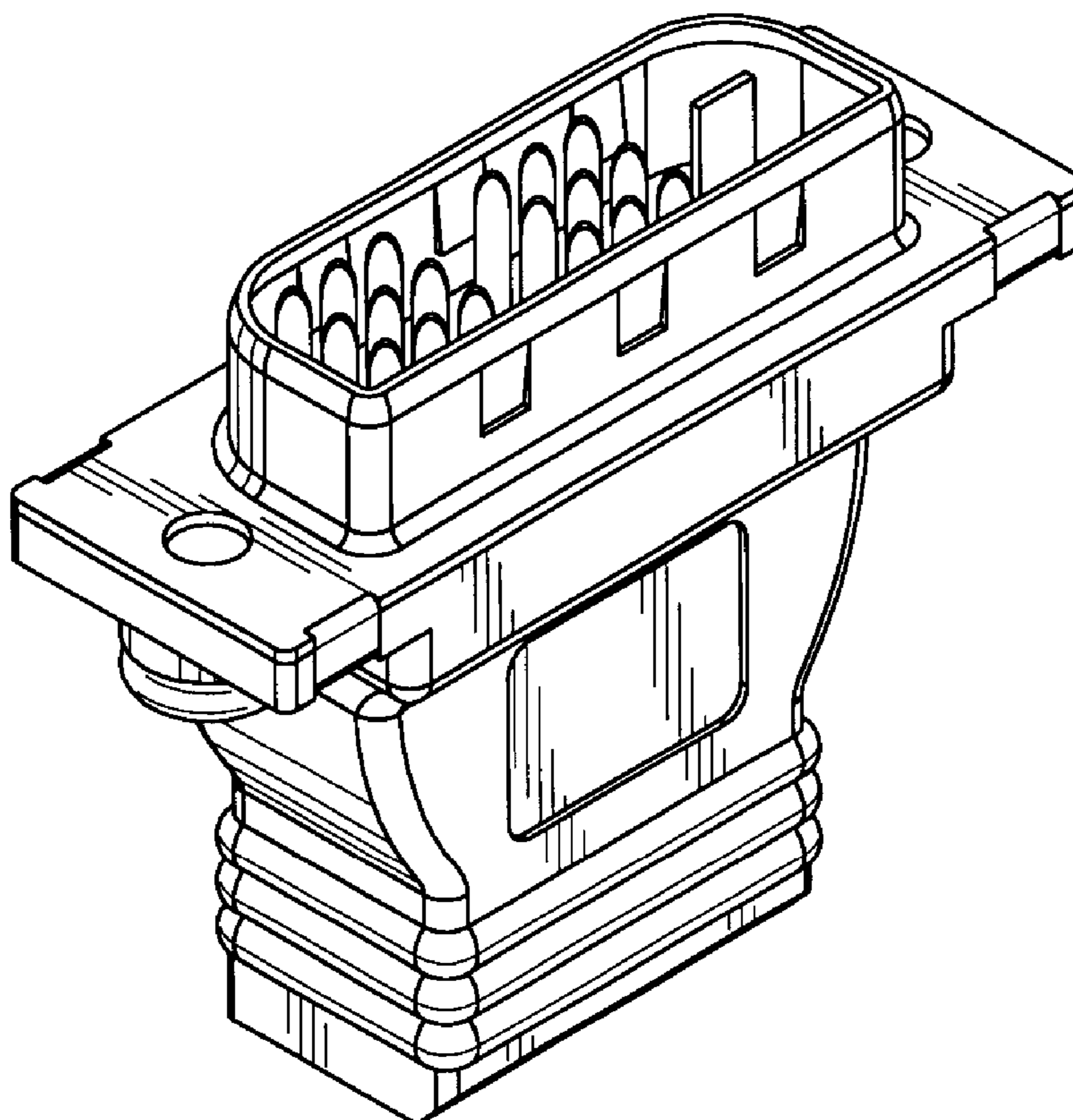
(57) **CLAIM**

The ornamental design for an electrical connector, as shown and described.

DESCRIPTION

FIG. 1 is a perspective view of an electrical connector showing my new design;
FIG. 2 is a front elevational view thereof;
FIG. 3 is a rear elevational view thereof;
FIG. 4 is a left side elevational view thereof;
FIG. 5 is a right side elevational view thereof;
FIG. 6 is a top plan view thereof; and,
FIG. 7 is a bottom plan view thereof.

1 Claim, 3 Drawing Sheets



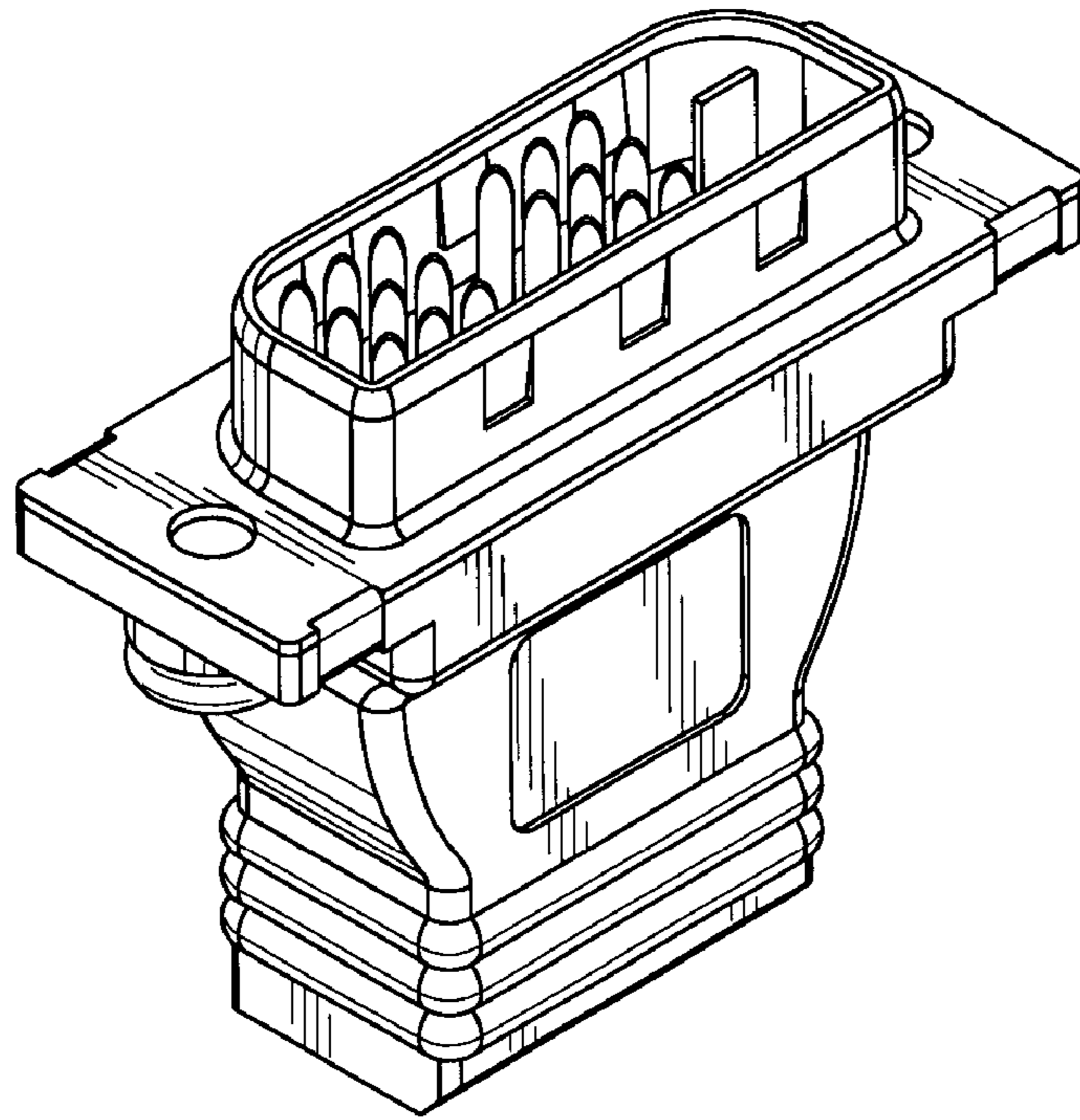


FIG. 1

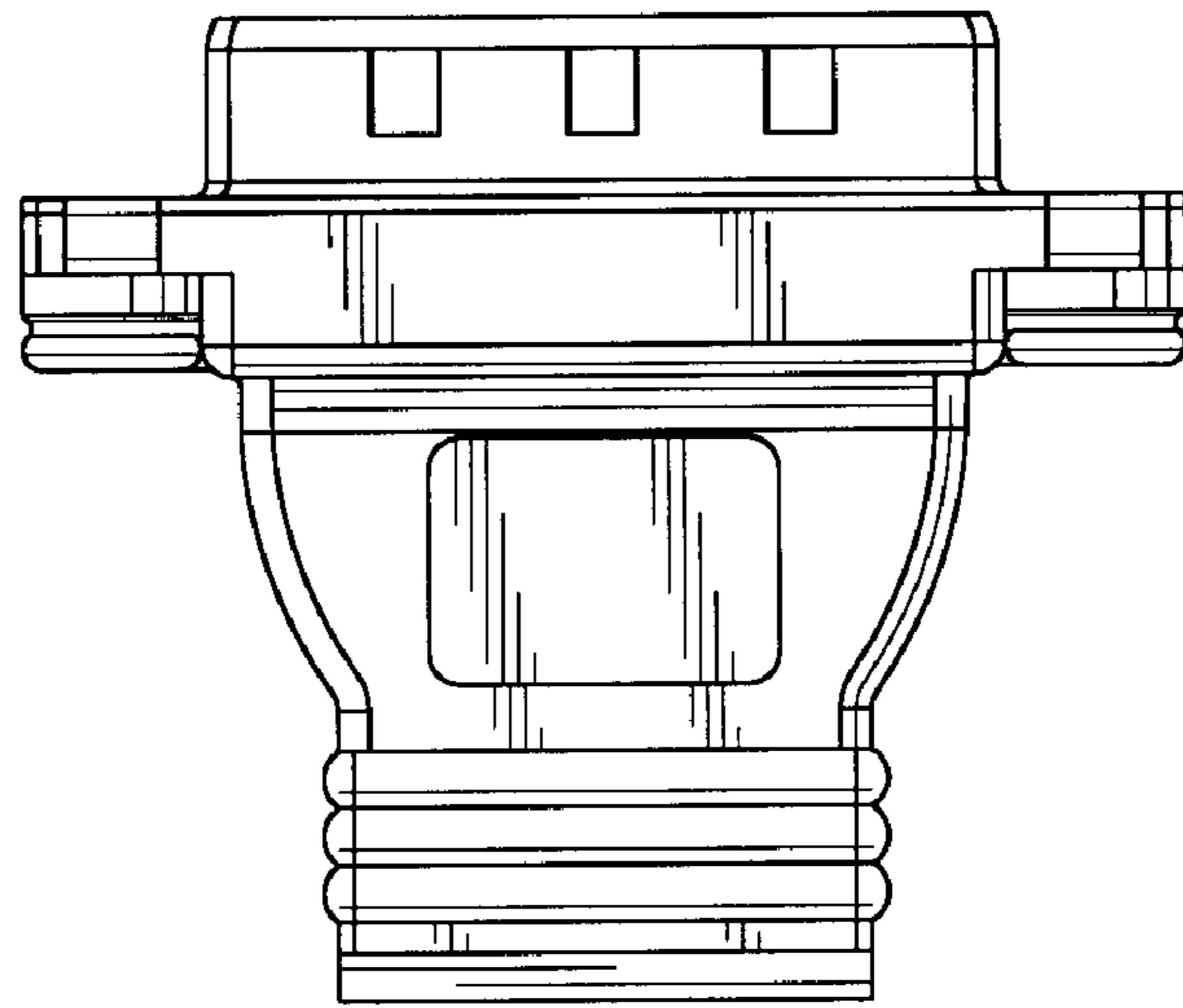


FIG. 2

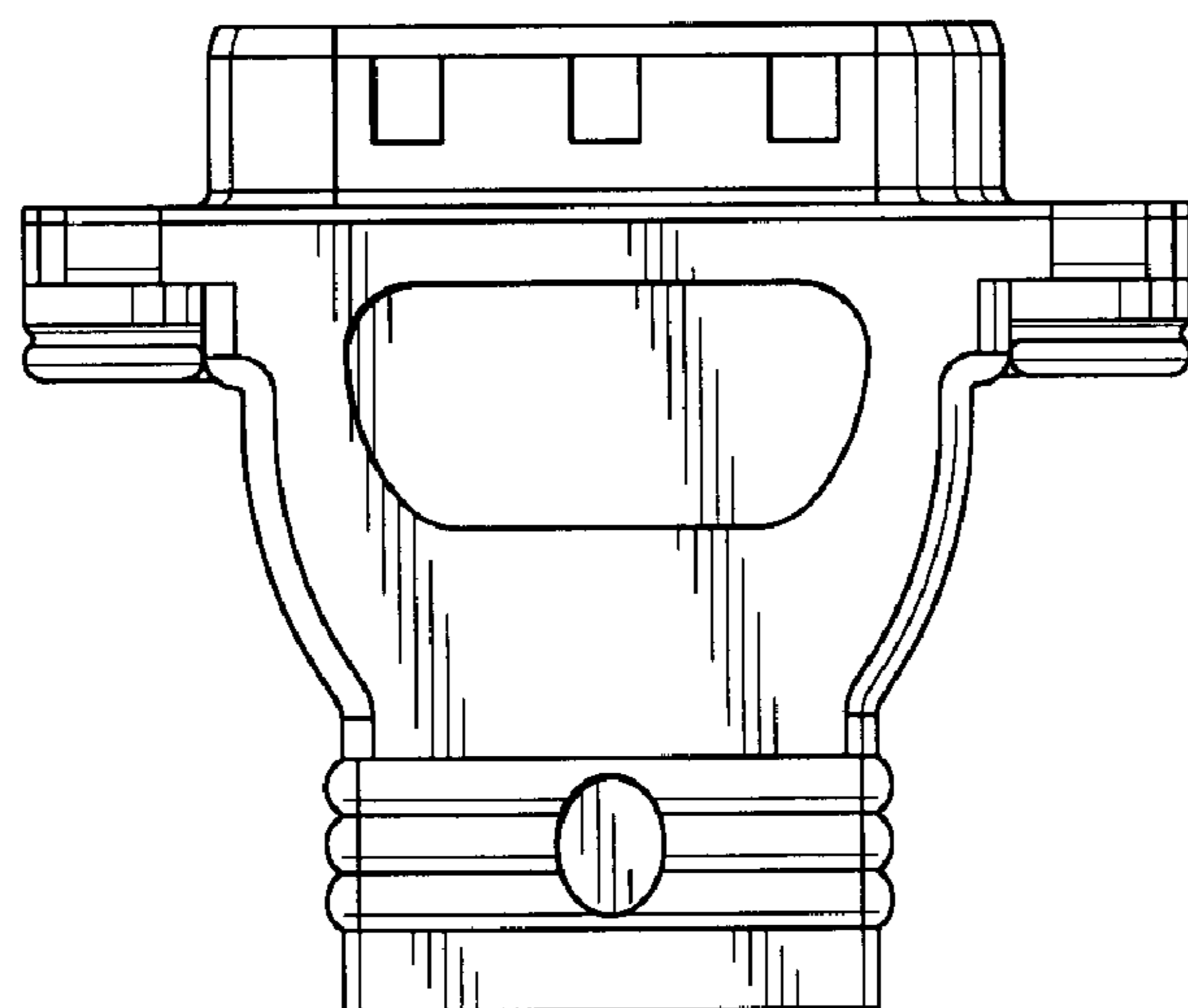


FIG. 3

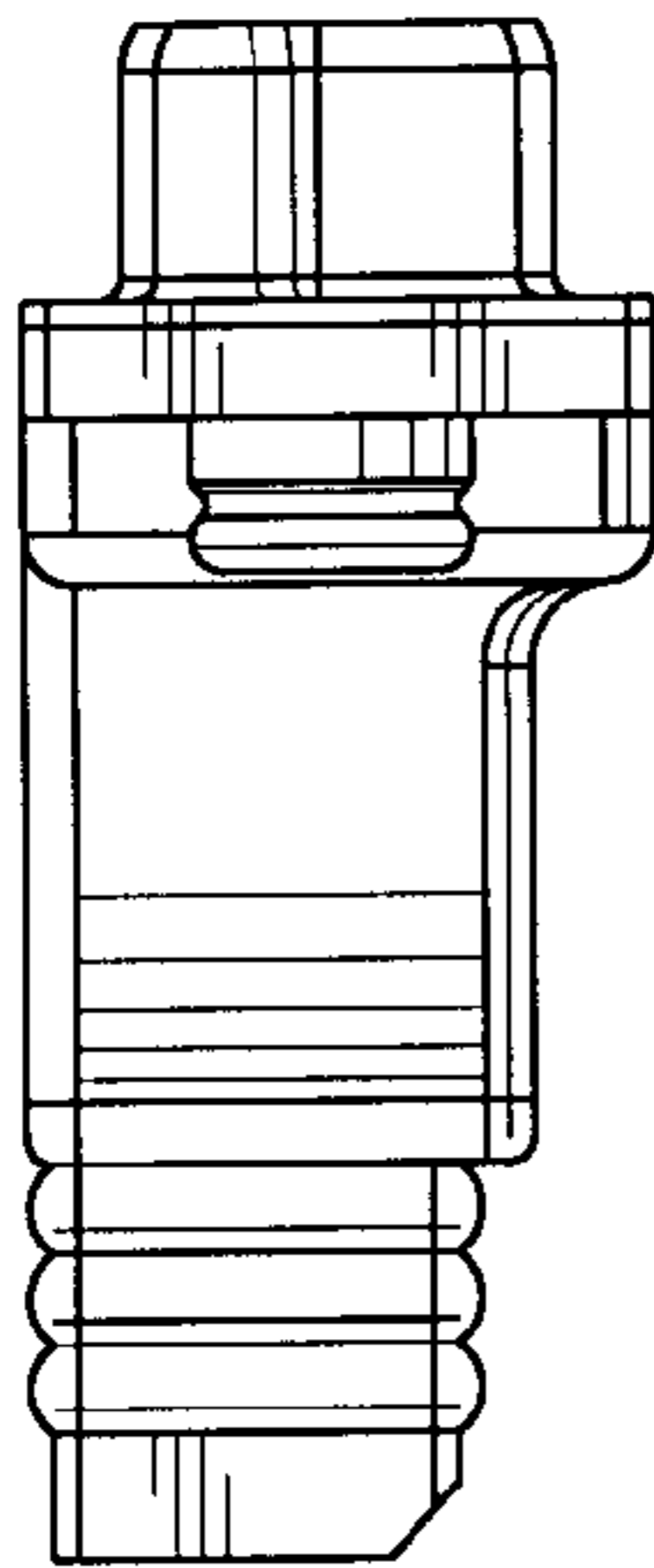


FIG. 4

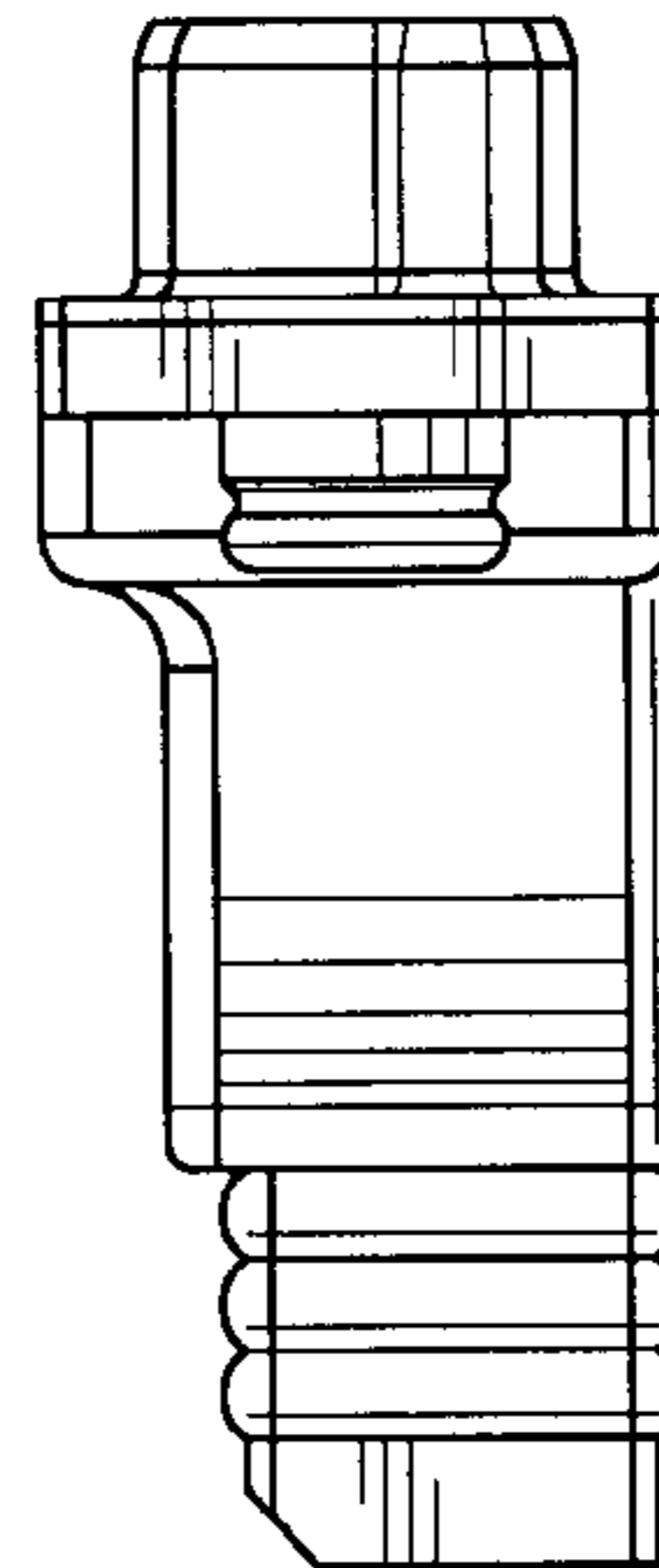


FIG. 5

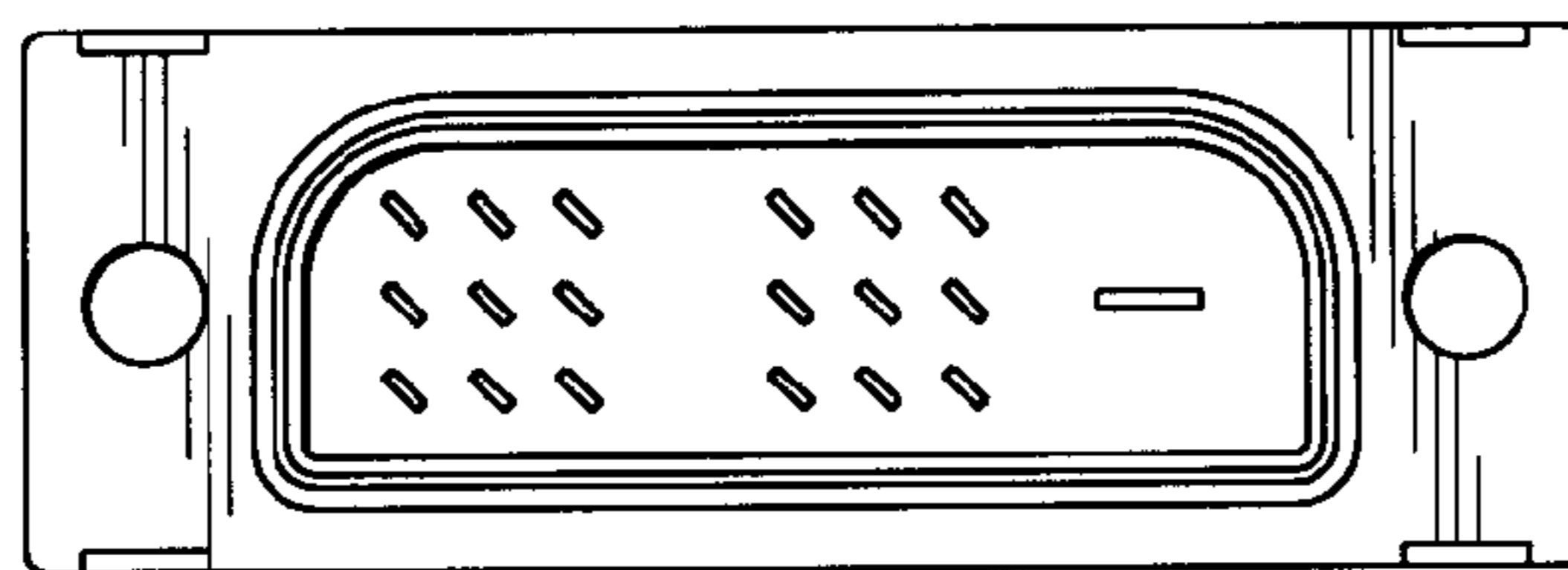


FIG. 6

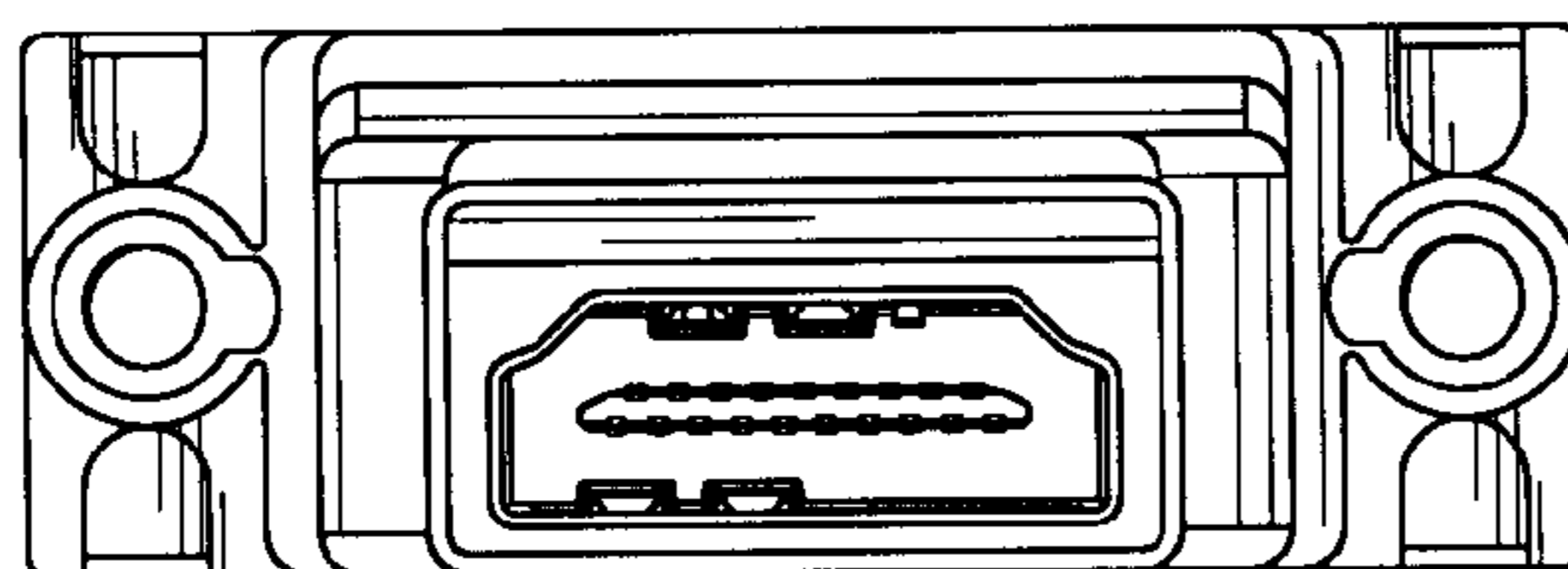


FIG. 7