



US00D515507S

(12) **United States Design Patent**
Byrne

(10) **Patent No.:** **US D515,507 S**
(45) **Date of Patent:** **** Feb. 21, 2006**

(54) **ELECTRICAL CONNECTOR KEYING ARRANGEMENT**

(76) Inventor: **Norman R. Byrne**, 2736 Honey Creek, NE., Ada, MI (US) 49301

(**) Term: **14 Years**

(21) Appl. No.: **29/182,694**

(22) Filed: **May 30, 2003**

(51) **LOC (8) Cl.** **13-03**

(52) **U.S. Cl.** **D13/147**

(58) **Field of Classification Search** D13/146, D13/147; 385/53, 58, 71, 76, 77, 78; 439/171, 439/221, 284, 353, 354, 357, 358, 680, 681
See application file for complete search history.

(56) **References Cited**

U.S. PATENT DOCUMENTS

D252,269 S	*	7/1979	Jonsson	D13/147
4,345,813 A	*	8/1982	Hatch	439/681
4,990,099 A	*	2/1991	Marin et al.	439/284
5,289,554 A	*	2/1994	Cubukciyan et al.	385/76
5,521,997 A	*	5/1996	Rovenolt et al.	385/77
D474,746 S	*	5/2003	Rupert	D13/147

* cited by examiner

Primary Examiner—Stella Reid

Assistant Examiner—Selina Sikder

(74) *Attorney, Agent, or Firm*—Varnum, Riddering, Schmidt & Howlett

(57) **CLAIM**

I claim, the ornamental design for an electrical connector keying arrangement, as shown and described.

DESCRIPTION

FIG. 1 is a perspective view of a first embodiment of my electrical connector keying arrangement in accordance with the invention;

FIG. 2 is an end view of the embodiment of my electrical connector keying arrangement illustrated in FIG. 1;

FIG. 3 is a left-side elevation view of the first embodiment of my electrical connector keying arrangement illustrated in FIG. 1;

FIG. 4 is a plan view of the first embodiment of my electrical connector keying arrangement illustrated in FIG. 1;

FIG. 5 is a perspective view of a second embodiment of my electrical connector keying arrangement in accordance with the invention;

FIG. 6 is an end view of the second embodiment of my electrical connector keying arrangement illustrated in FIG. 5;

FIG. 7 is a left-side elevation view of the second embodiment of my electrical connector keying arrangement illustrated in FIG. 5;

FIG. 8 is a plan view of the second embodiment of my electrical connector keying arrangement illustrated in FIG. 5;

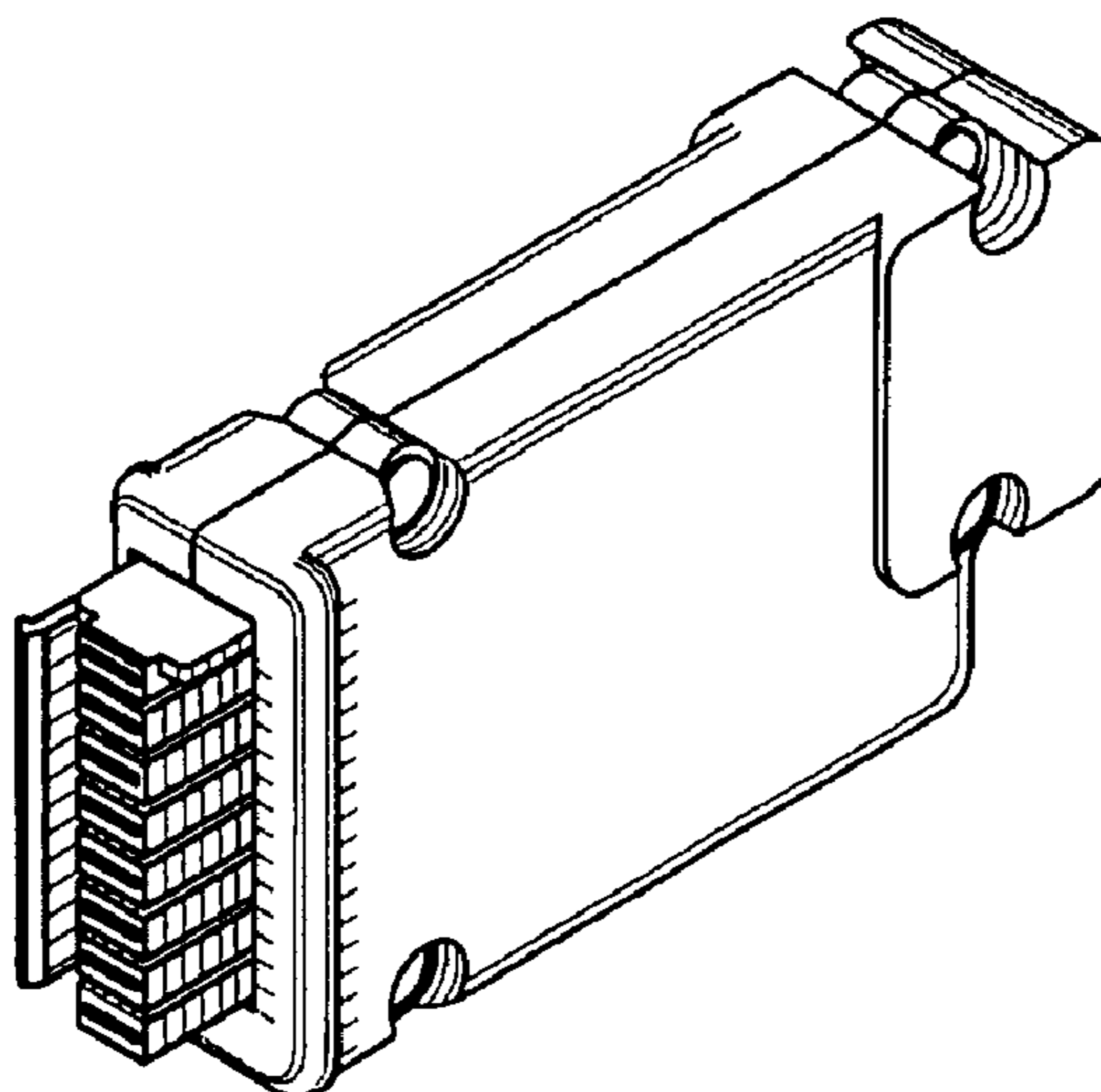
FIG. 9 is a perspective view of a third embodiment of my electrical connector keying arrangement in accordance with the invention;

FIG. 10 is an end view of the third embodiment of my electrical connector keying arrangement illustrated in FIG. 9;

FIG. 11 is a left-side elevation view of the third embodiment of my electrical connector keying arrangement illustrated in FIG. 9; and,

FIG. 12 is a plan view of the third embodiment of my electrical connector keying arrangement illustrated in FIG. 9.

1 Claim, 3 Drawing Sheets



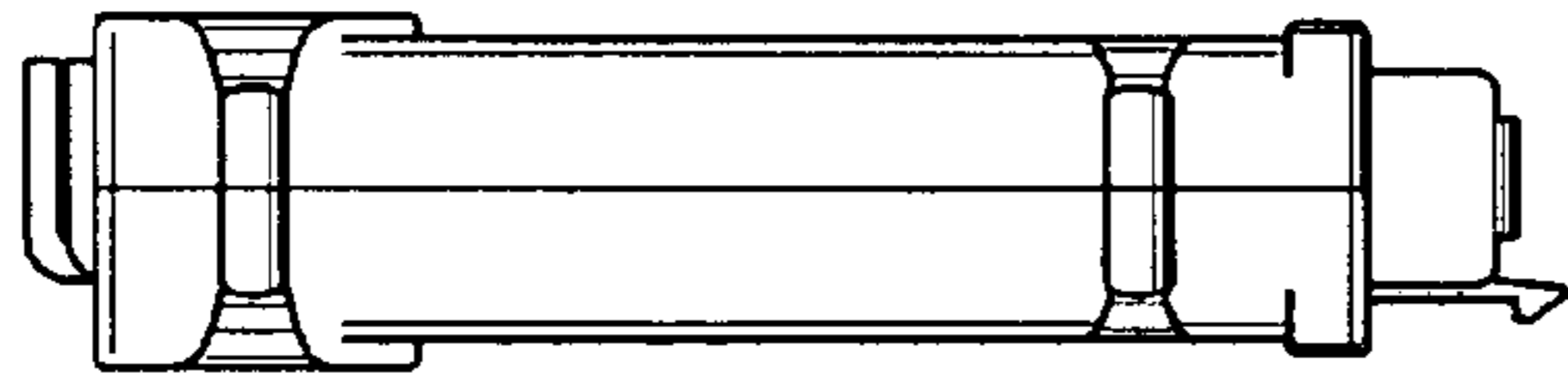


Fig. 4

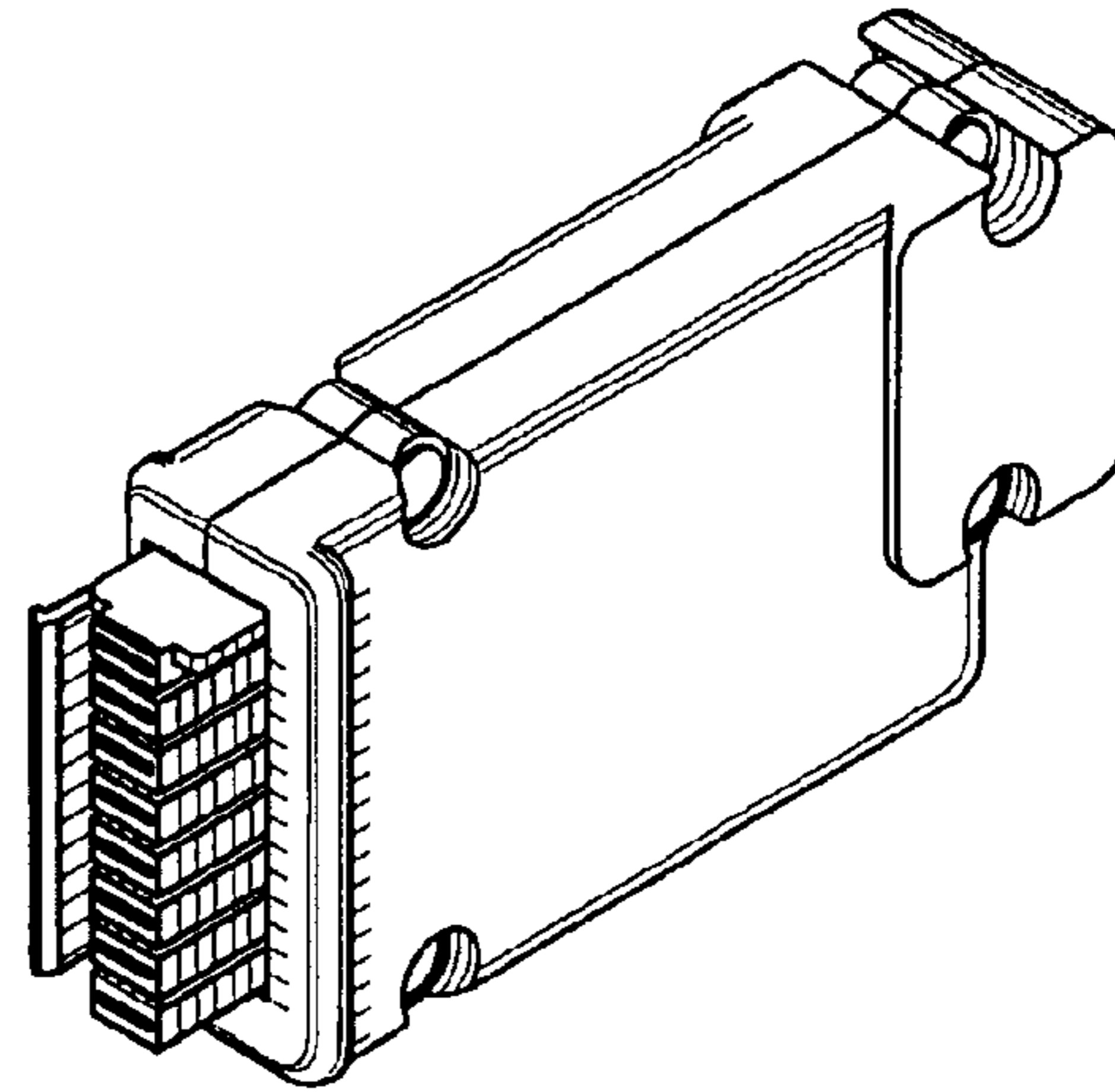


Fig. 1

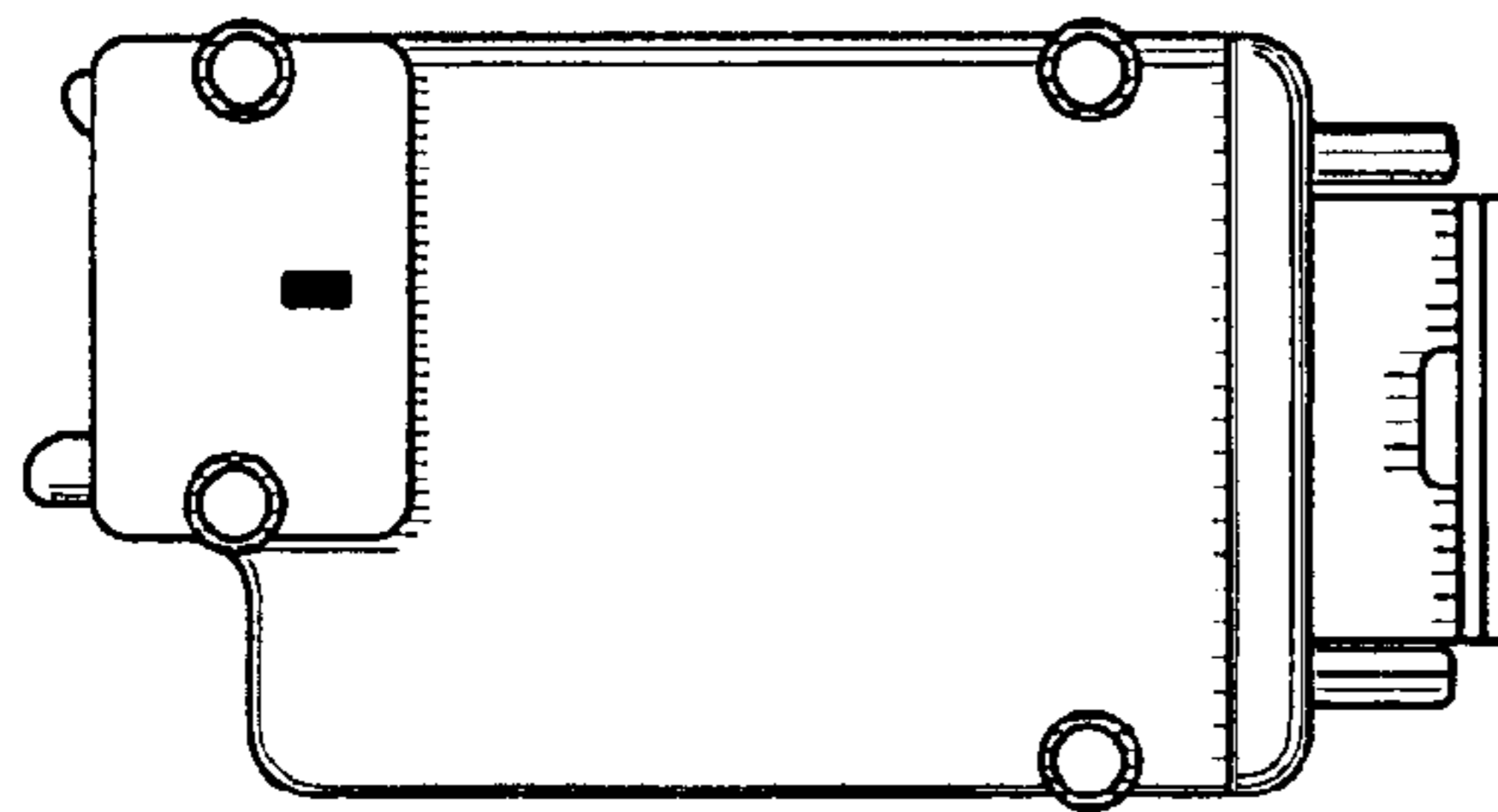


Fig. 3

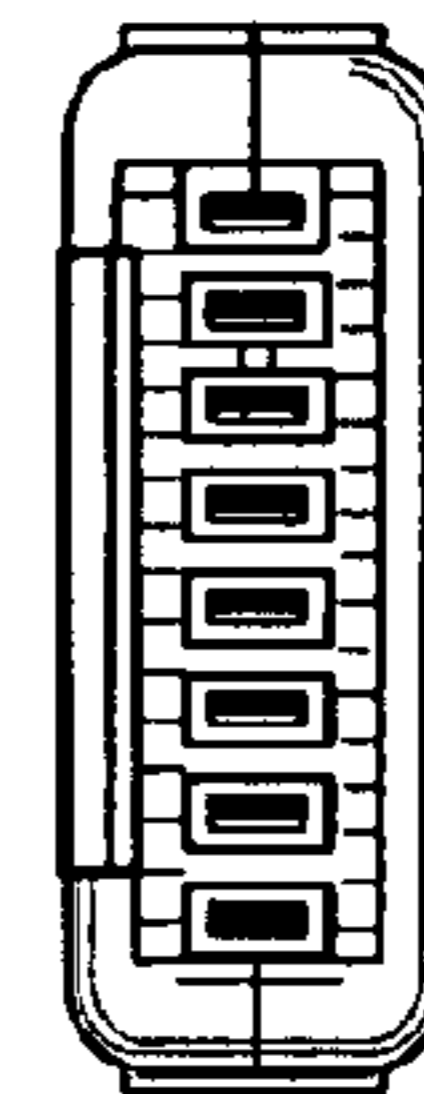


Fig. 2

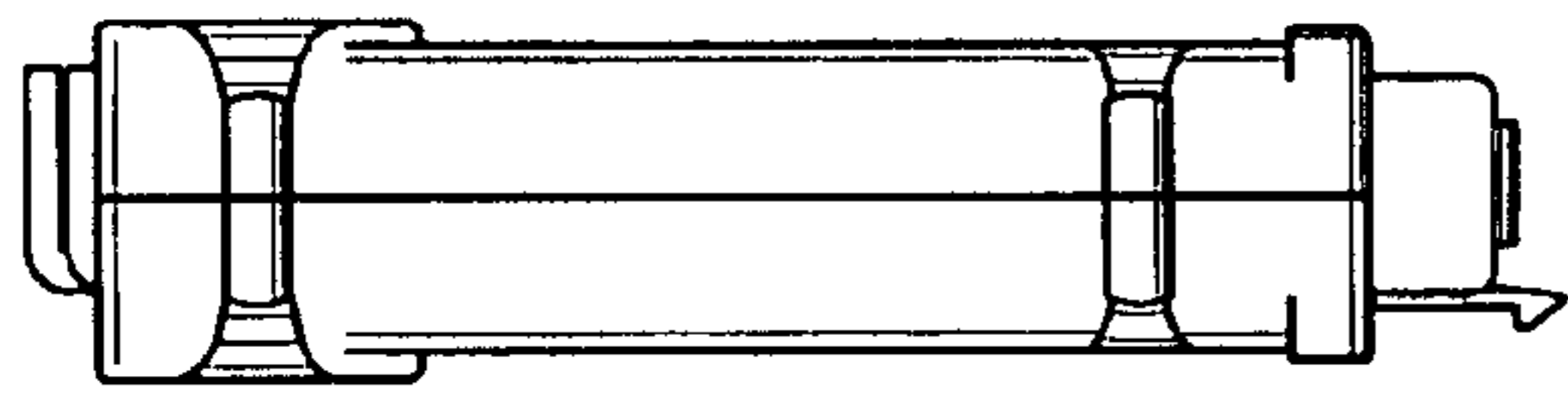


Fig. 8

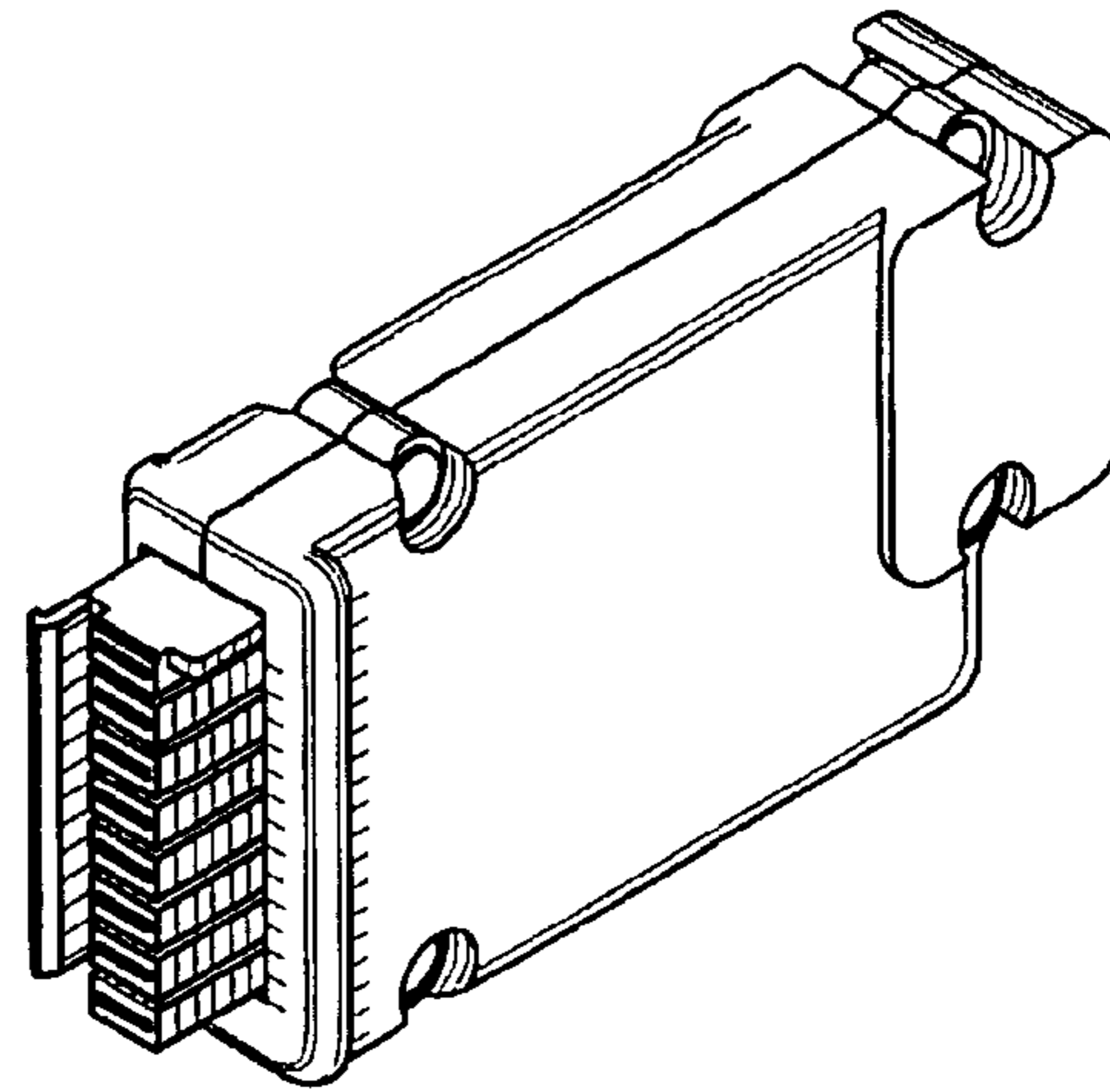


Fig. 5

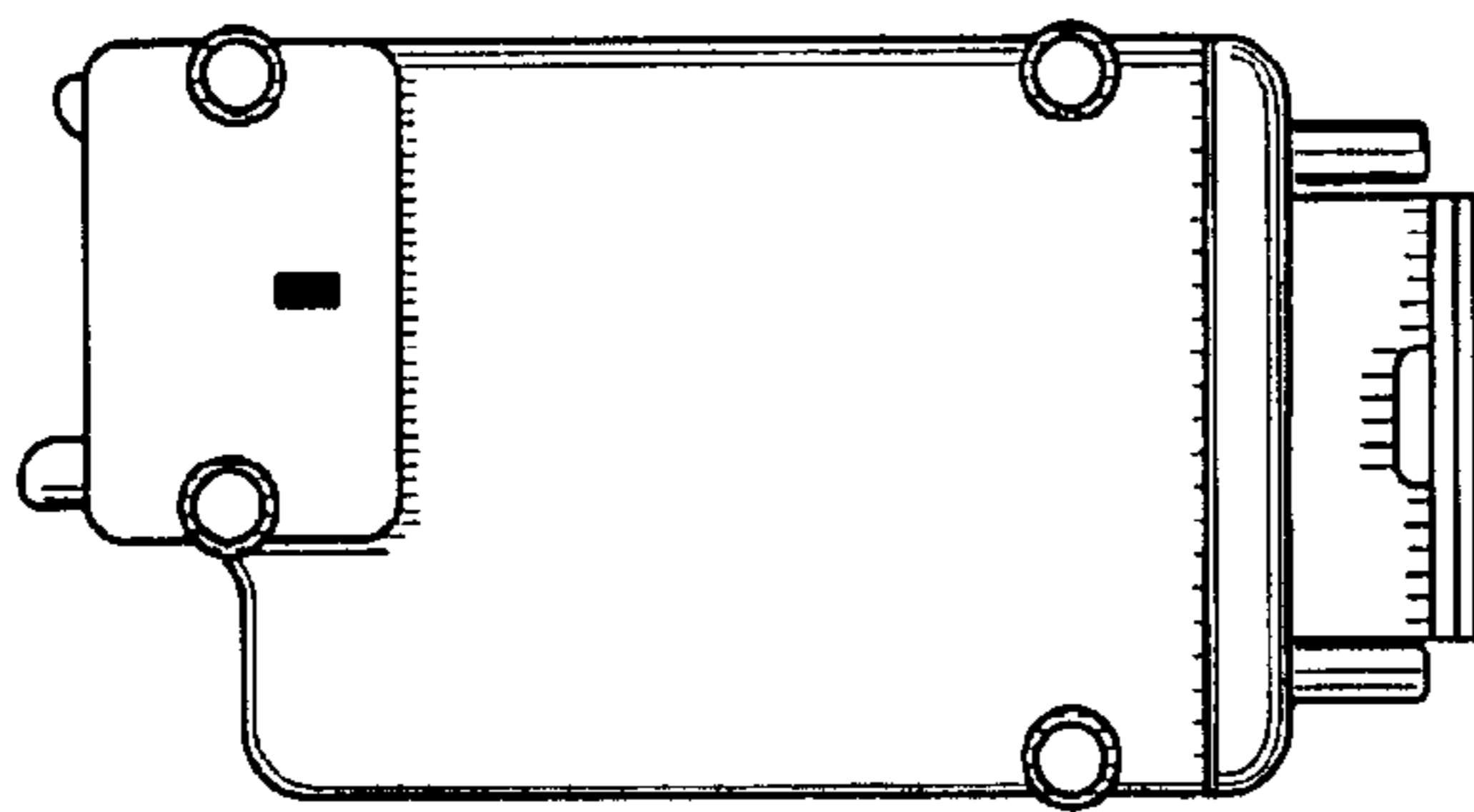


Fig. 7

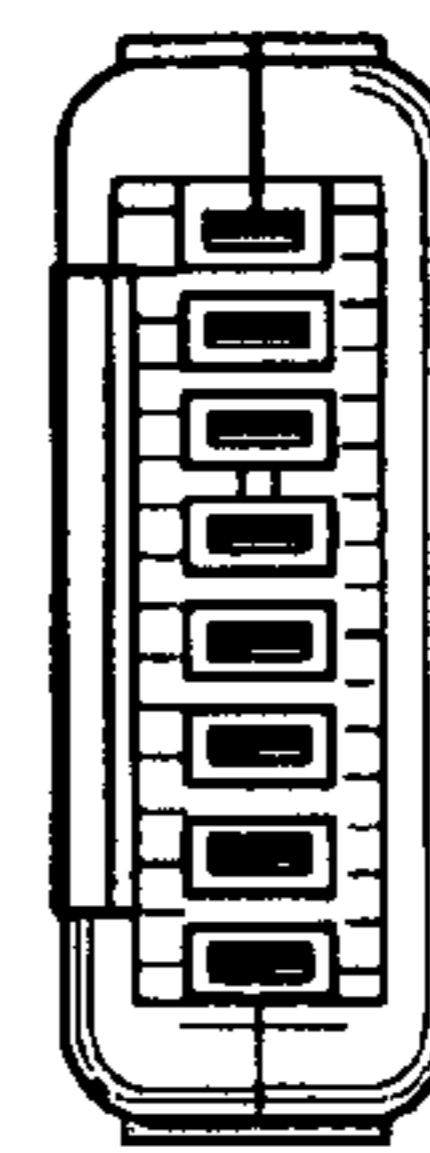


Fig. 6

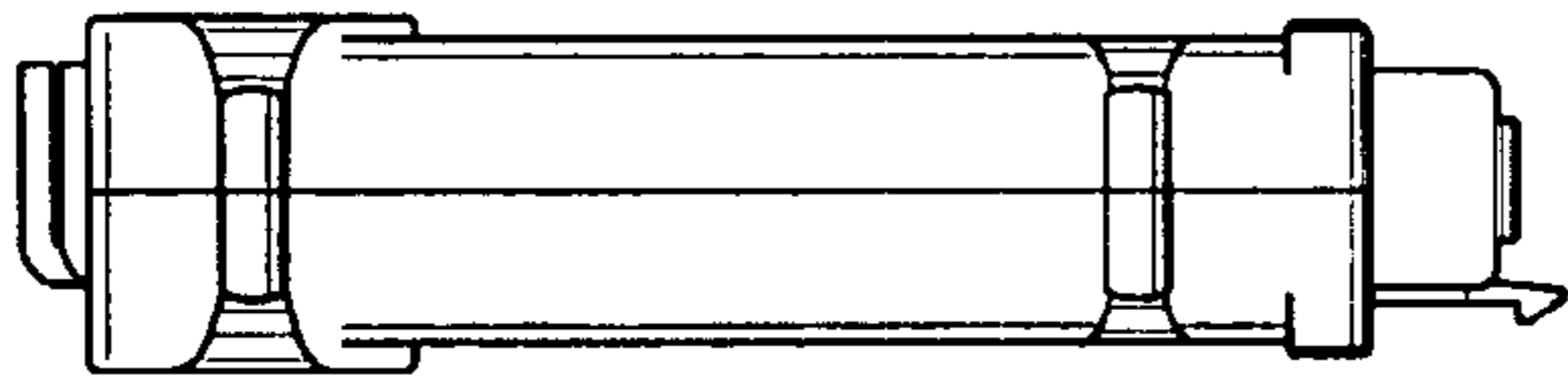


Fig. 12

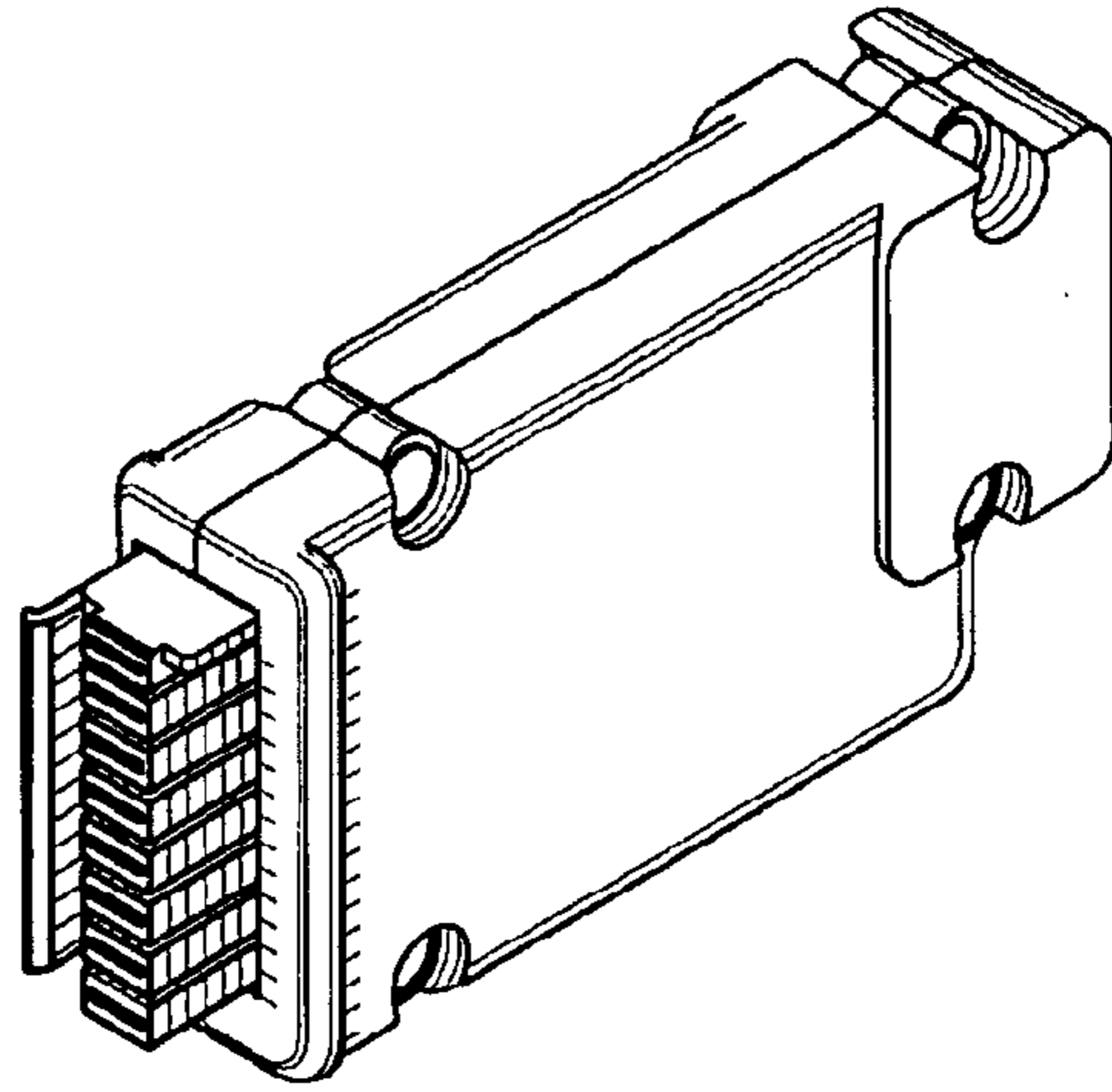


Fig. 9

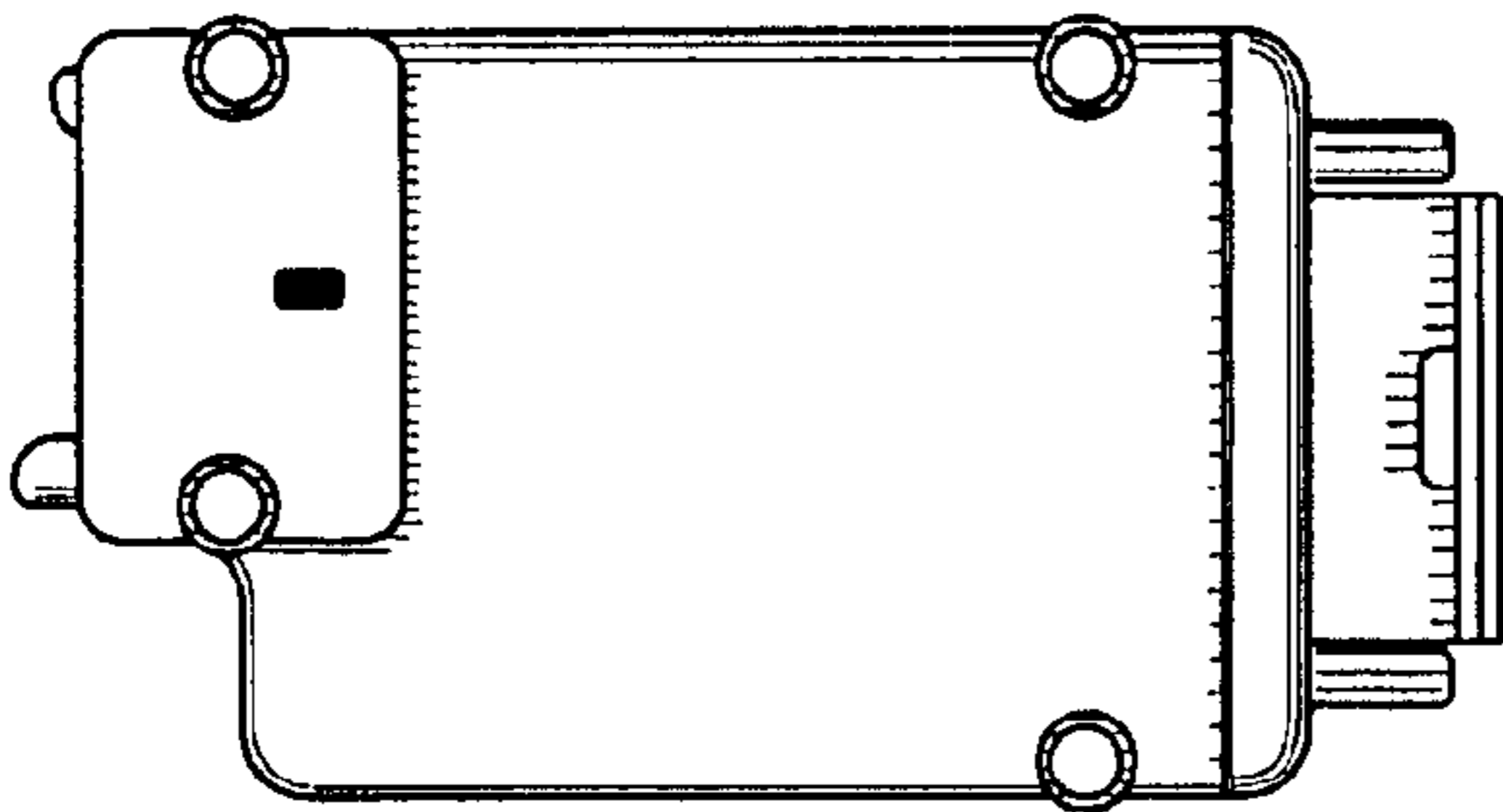


Fig. 11

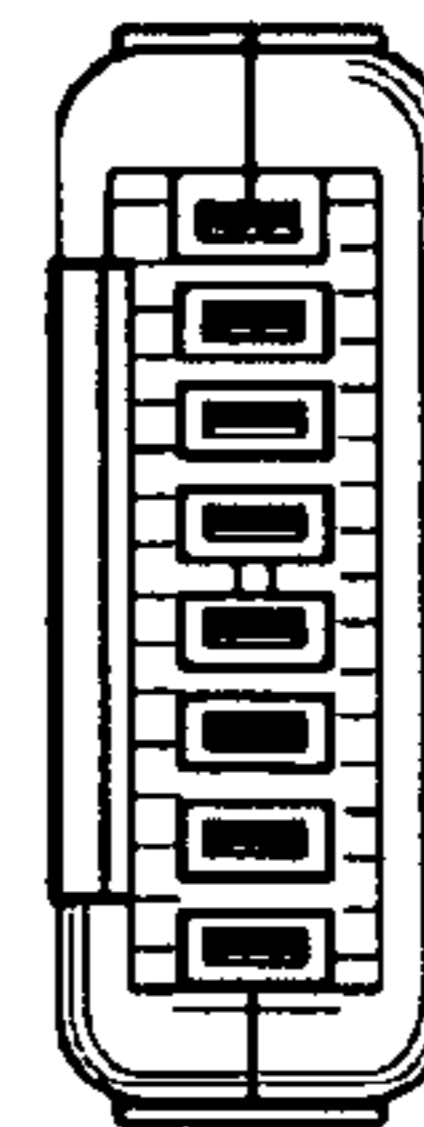


Fig. 10