



US00D515504S

(12) **United States Design Patent**
Jackson, Jr.

(10) **Patent No.: US D515,504 S**

(45) **Date of Patent: ** Feb. 21, 2006**

(54) **TEMPORARY SERVICE POLE**

(76) **Inventor: Elmer E. Jackson, Jr.**, 1842 Garland Rd., Sardinia, SC (US) 29413

(**) **Term: 14 Years**

(21) **Appl. No.: 29/196,548**

(22) **Filed: Dec. 30, 2003**

(51) **LOC (8) Cl. 13-03**

(52) **U.S. Cl. D13/139.5**

(58) **Field of Classification Search** D13/123,
D13/133, 139.1, 139.2, 139.4, 139.5, 152;
D24/129; D25/127; D8/1; 174/40 R, 45 R;
52/220.1, 220.2; 362/102, 276

See application file for complete search history.

(56) **References Cited**

U.S. PATENT DOCUMENTS

253,643 A	*	2/1882	Turner	174/45 R
297,182 A	*	4/1884	Shelbourne	174/45 R
D197,648 S	*	3/1964	Dreyfuss	D25/127
D204,269 S	*	4/1966	Naudus	D13/139.4
RE27,400 E	*	6/1972	Nickola	361/601

D235,555 S	*	6/1975	Plummer	D13/152
5,605,017 A	*	2/1997	Fingerson et al.	52/40
D426,520 S	*	6/2000	Goins	D13/139.2
D448,346 S	*	9/2001	Hellwig et al.	D13/139.5
2003/0126794 A1	*	7/2003	Wisniewski	47/47

* cited by examiner

Primary Examiner—Alan P. Douglas

Assistant Examiner—Rosemary K. Tarcza

(74) *Attorney, Agent, or Firm*—Harleston Law Firm, LLC;
Kathleen M. Harleston

(57) **CLAIM**

The ornamental design for a temporary service pole, as shown and described.

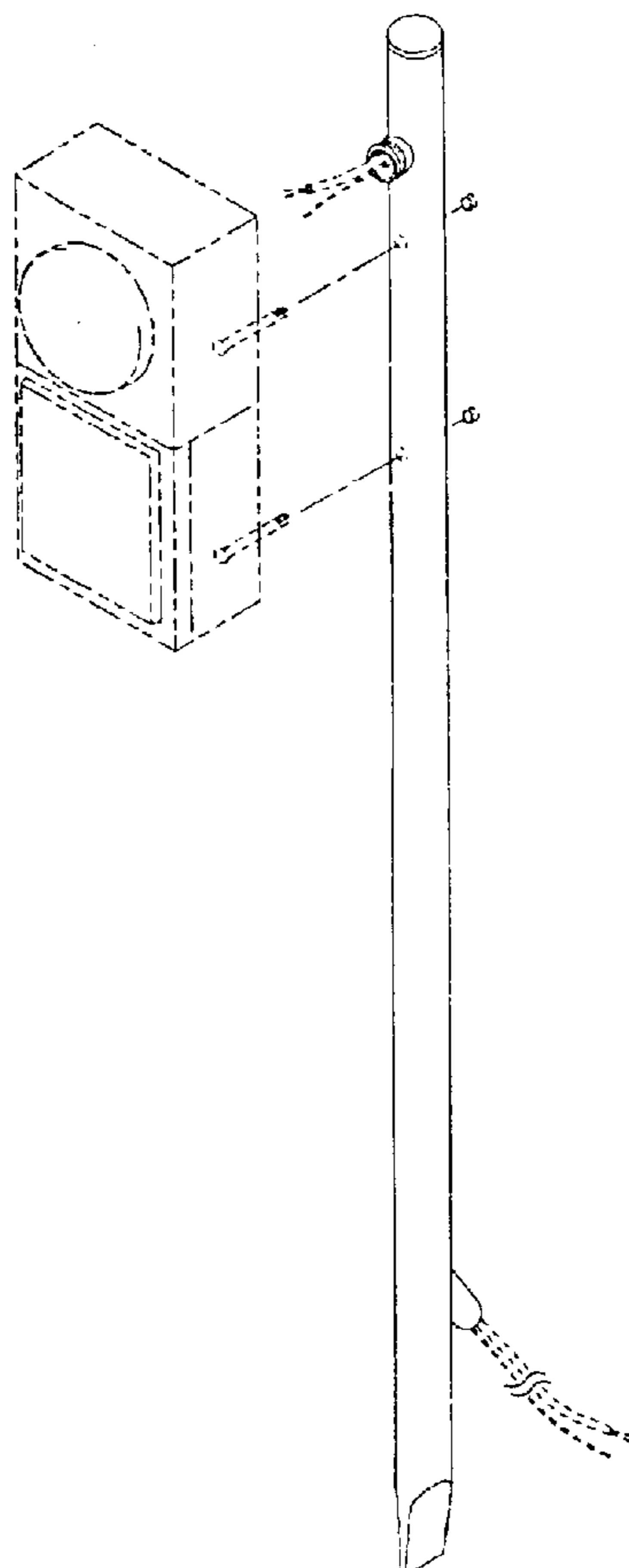
DESCRIPTION

FIG. 1 is a perspective view of a temporary service pole, showing my new design; and,

FIG. 2 is a perspective view of an opposite side of the temporary service pole shown in FIG. 1.

The broken line showing of a service box, wires, and attachment means is for illustrative purposes only and forms no part of the claimed design.

1 Claim, 1 Drawing Sheet



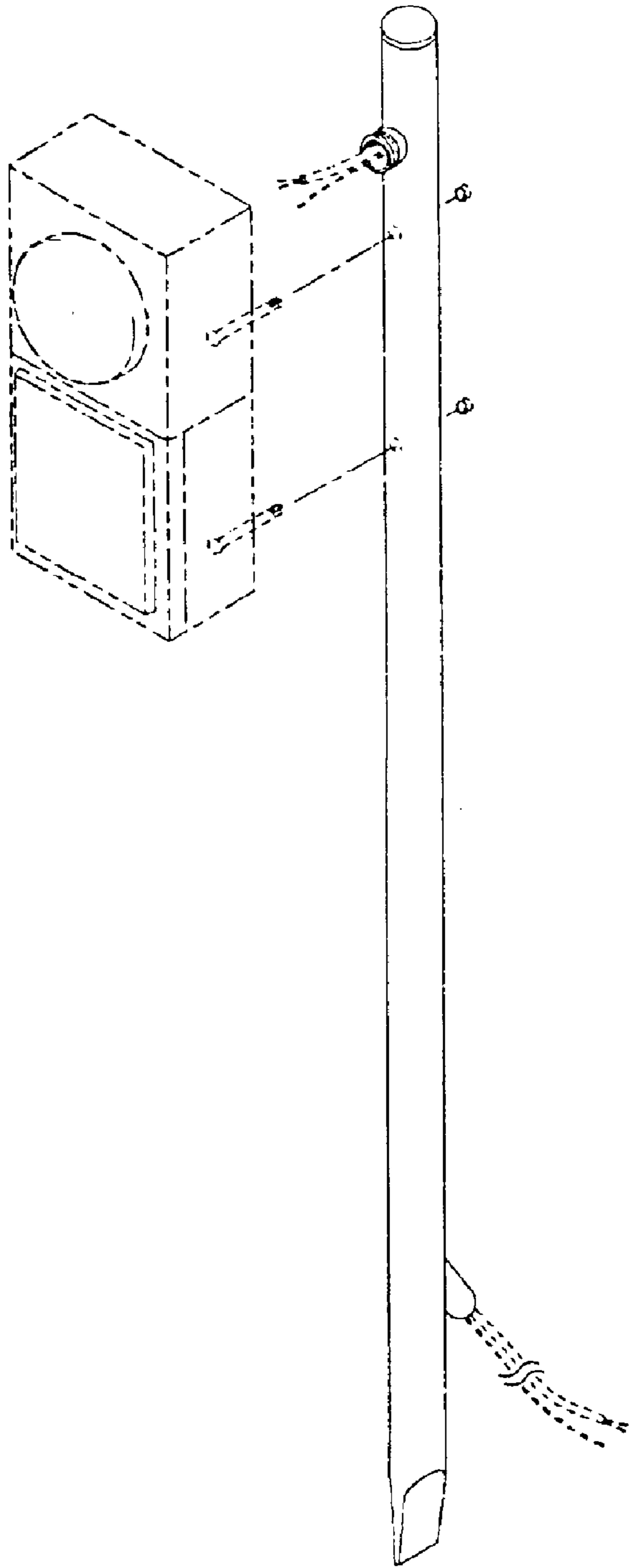


Fig. 1

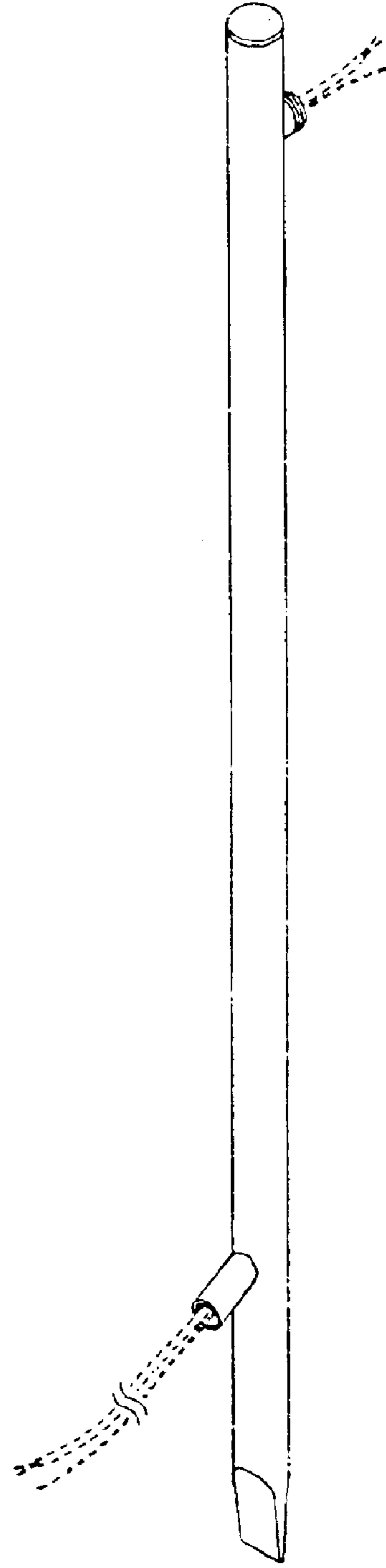


Fig. 2