



US00D515503S

(12) **United States Design Patent** (10) **Patent No.:** **US D515,503 S**
Lee (45) **Date of Patent:** **** Feb. 21, 2006**

(54) **OUTDOOR ELECTRIC RECEPTACLE**

(57) **CLAIM**

(76) **Inventor:** **Dominic K. Lee**, Apartment 1C, Duke Garden, #2 Duke Street, Kowloon (HK)

The ornamental design for an outdoor electric receptacle, as shown and described.

(**) **Term:** **14 Years**

DESCRIPTION

(21) **Appl. No.:** **29/211,911**

FIG. 1 presents a pictorial view of the first embodiment of my new outdoor electric receptacle design.

(22) **Filed:** **Aug. 24, 2004**

FIG. 2 presents a front elevational view of the outdoor electric receptacle illustrated in FIG. 1.

(51) **LOC (8) Cl.** **13-03**

FIG. 3 presents a left side elevational view of the outdoor electric receptacle illustrated in FIG. 1.

(52) **U.S. Cl.** **D13/139.4**

FIG. 4 presents a rear elevational view of the outdoor electric receptacle illustrated in FIG. 1.

(58) **Field of Classification Search** D13/123, D13/133, 139.1, 139.2, 139.4, 139.5, 152; D24/129; D25/129; D8/1; 174/40 R, 45 R; 52/220.1, 220.2, 165; 362/102, 276

FIG. 5 presents a top view of the outdoor electric receptacle illustrated in FIG. 1.

See application file for complete search history.

FIG. 6 presents a bottom view of the outdoor electric receptacle illustrated in FIG. 1.

(56) **References Cited**

FIG. 7 presents a pictorial view of an alternate embodiment of the outdoor electric receptacle illustrated in FIG. 1 showing the outlet covers in a closed position.

U.S. PATENT DOCUMENTS

D126,590 S	*	4/1941	Lewin	D13/139.4
D179,081 S	*	10/1956	Hudson	D13/152
D237,718 S	*	11/1975	Bozich	D13/139.5
D325,723 S	*	4/1992	Gary et al.	D13/139.4
D389,459 S	*	1/1998	Byrne	D13/139.5
D408,355 S	*	4/1999	Welsh et al.	D13/139.4
D435,518 S	*	12/2000	Stekelenburg	D13/139.8
D450,037 S	*	11/2001	Yu	D13/139.4
D450,038 S	*	11/2001	Yu	D13/139.4
D452,215 S	*	12/2001	Stekelenburg	D13/139.4
D473,516 S	*	4/2003	Gresham et al.	D13/139.4
D484,099 S	*	12/2003	Bettencourt	D13/139.8
D493,426 S	*	7/2004	Strayer	D13/139.4

FIG. 8 presents a front elevational view of the outdoor electric receptacle illustrated in FIG. 7; and,

FIG. 9 presents a left side elevational view of the outdoor electric receptacle illustrated in FIG. 7.

* cited by examiner

The right side elevational view of the embodiment shown in FIG. 1 is a reverse image of the view shown in FIG. 3.

The right side elevational view of the alternate embodiment shown in FIG. 7 is a reverse image of the view shown in FIG. 9.

Primary Examiner—Alan P. Douglas

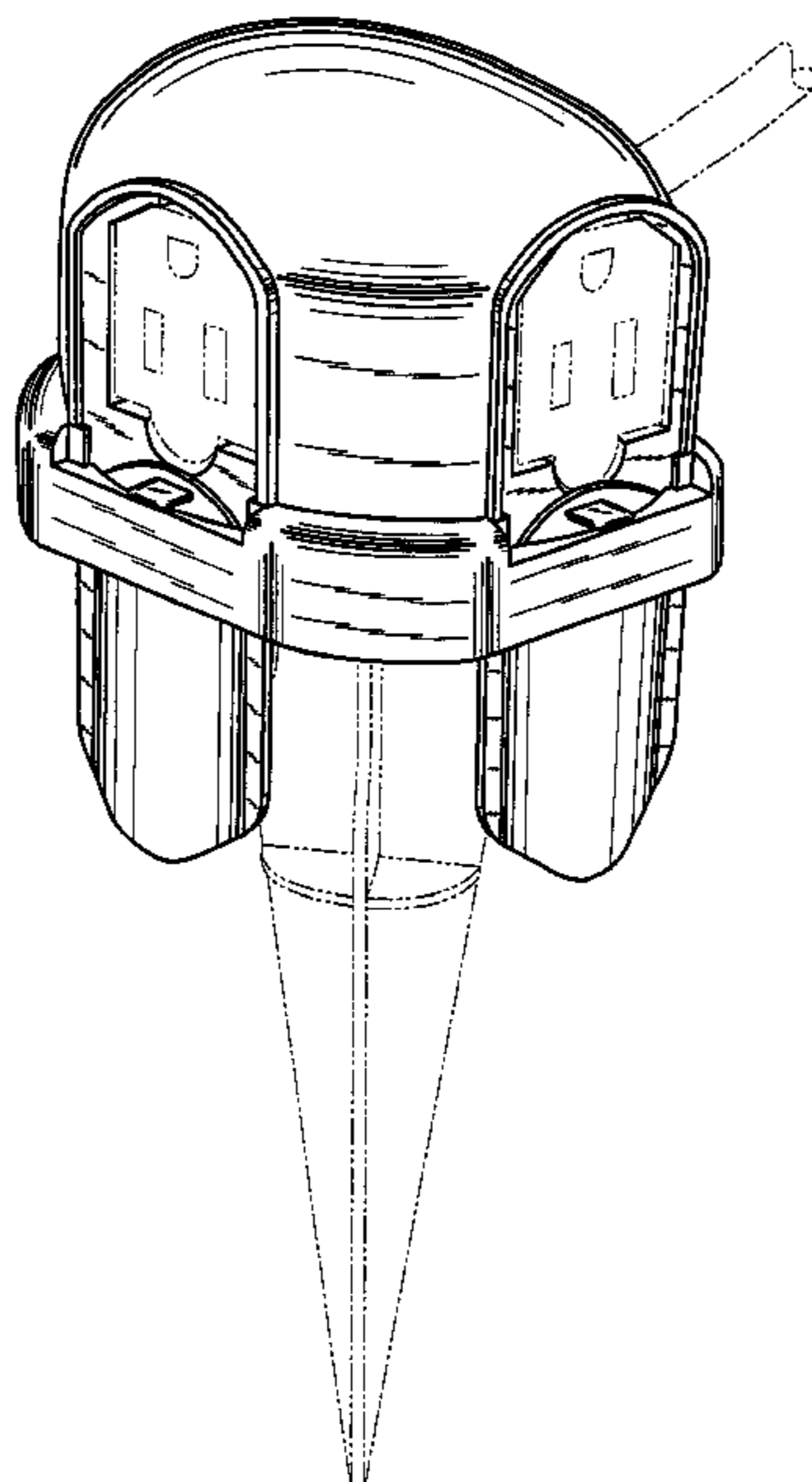
The top and bottom views of the alternate embodiment, shown in FIG. 7 are the same as the respective views shown in FIGS. 5 and 6.

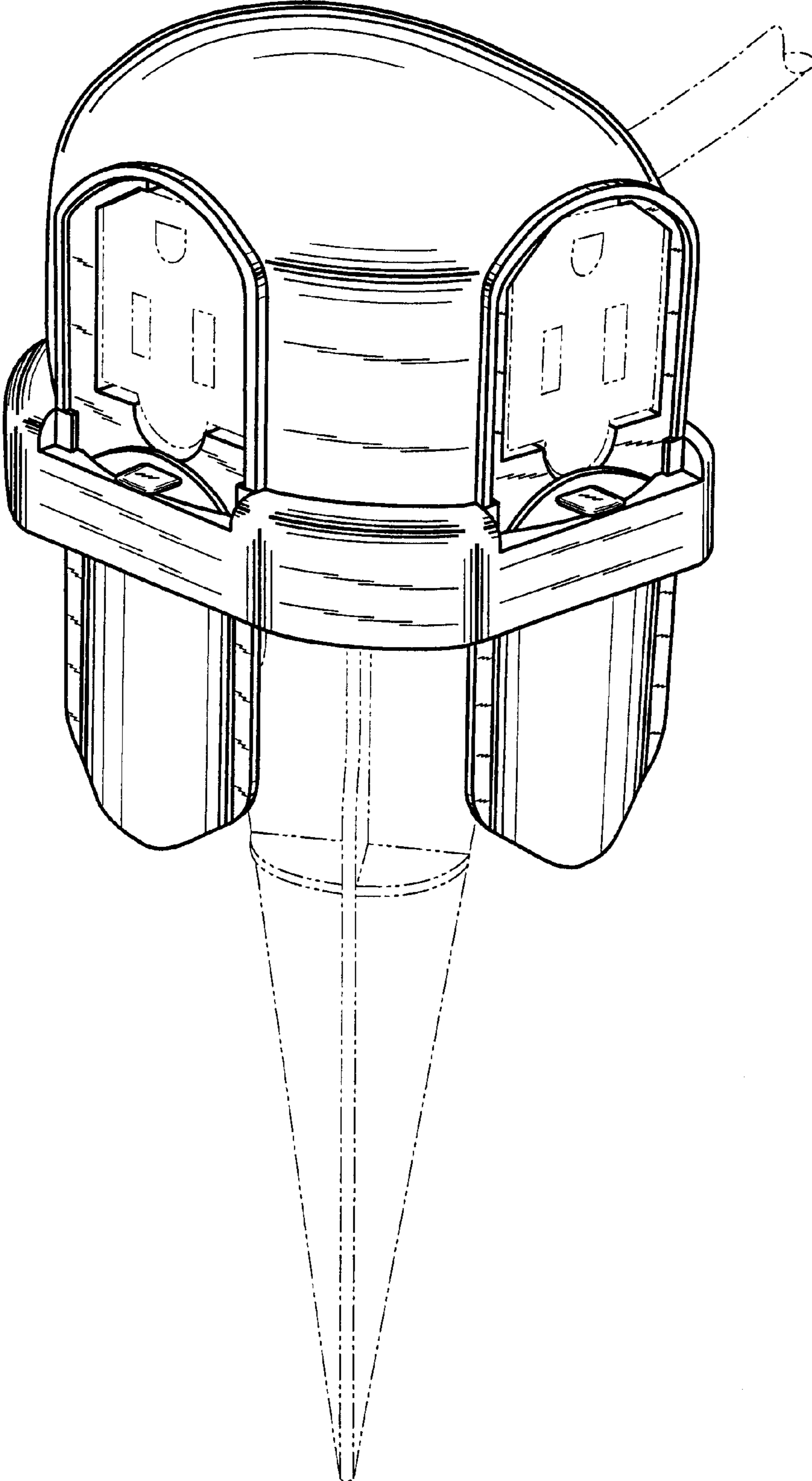
Assistant Examiner—Rosemary K. Tarca

The broken lines in the drawings are for illustrative purposes only and form no part of the claimed design.

(74) *Attorney, Agent, or Firm*—Frost Brown Todd LLC

1 Claim, 8 Drawing Sheets





—FIG. 1

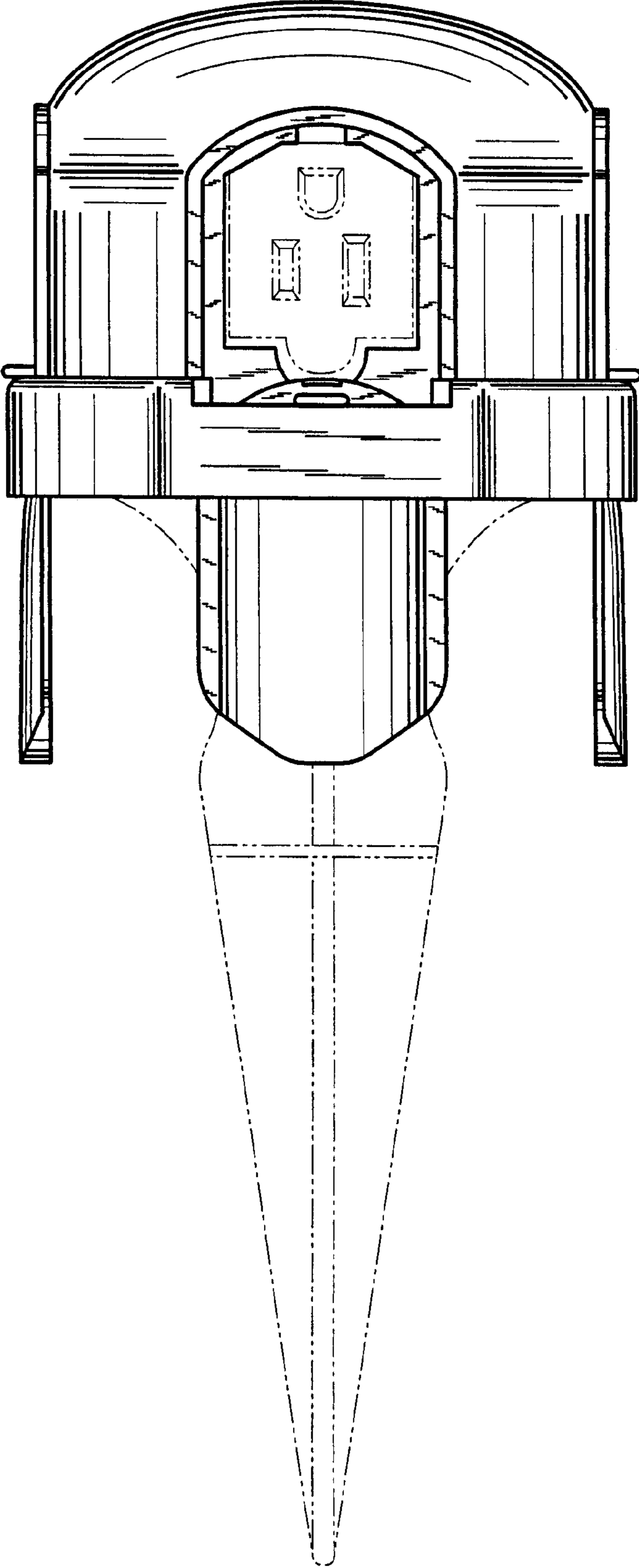
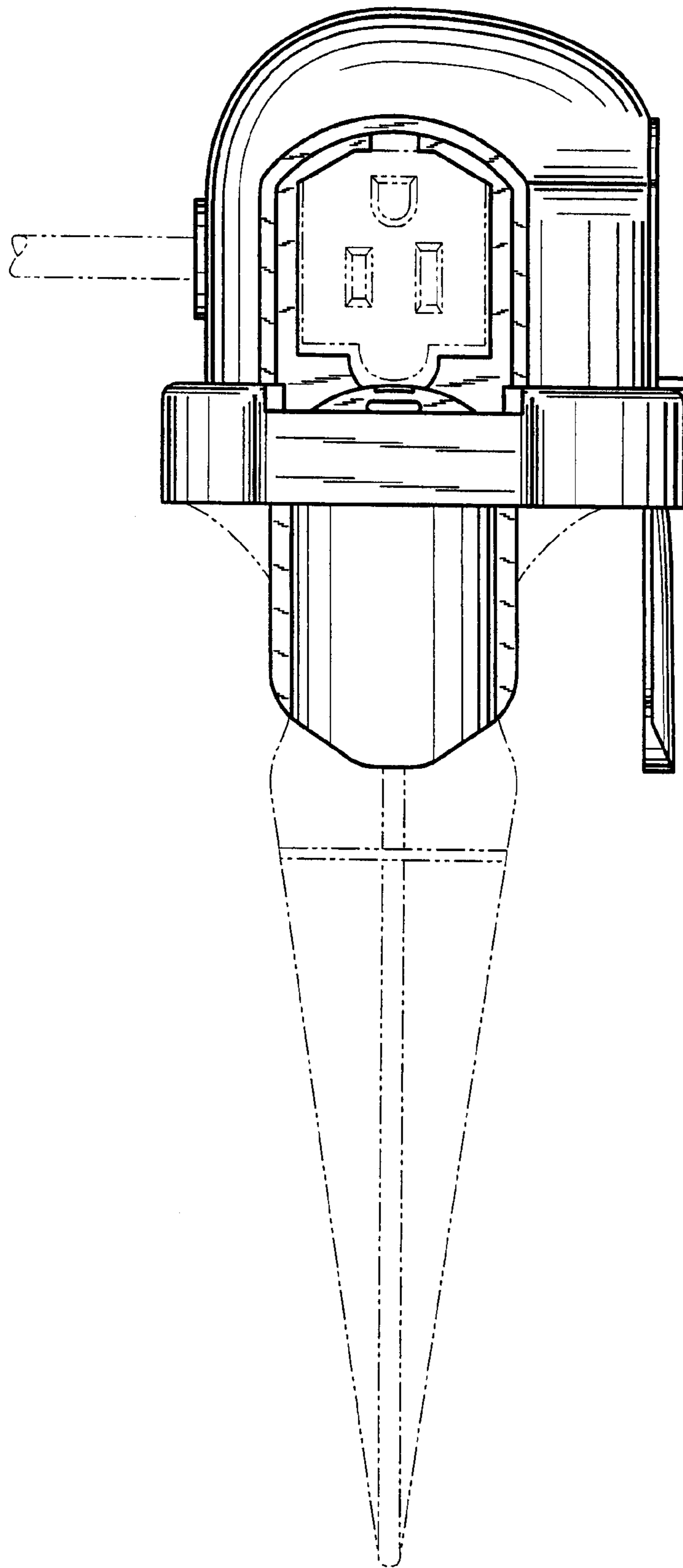
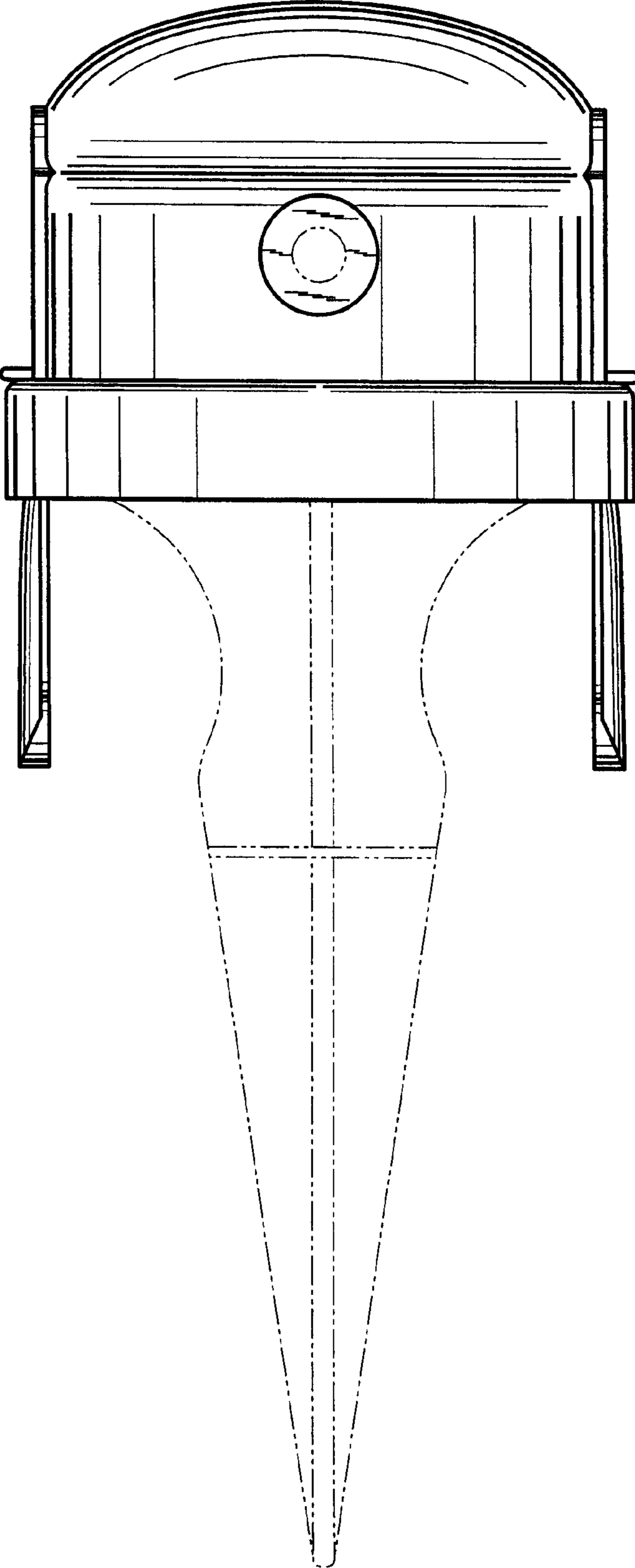


FIG. 2



—FIG. 3



— FIG. 4

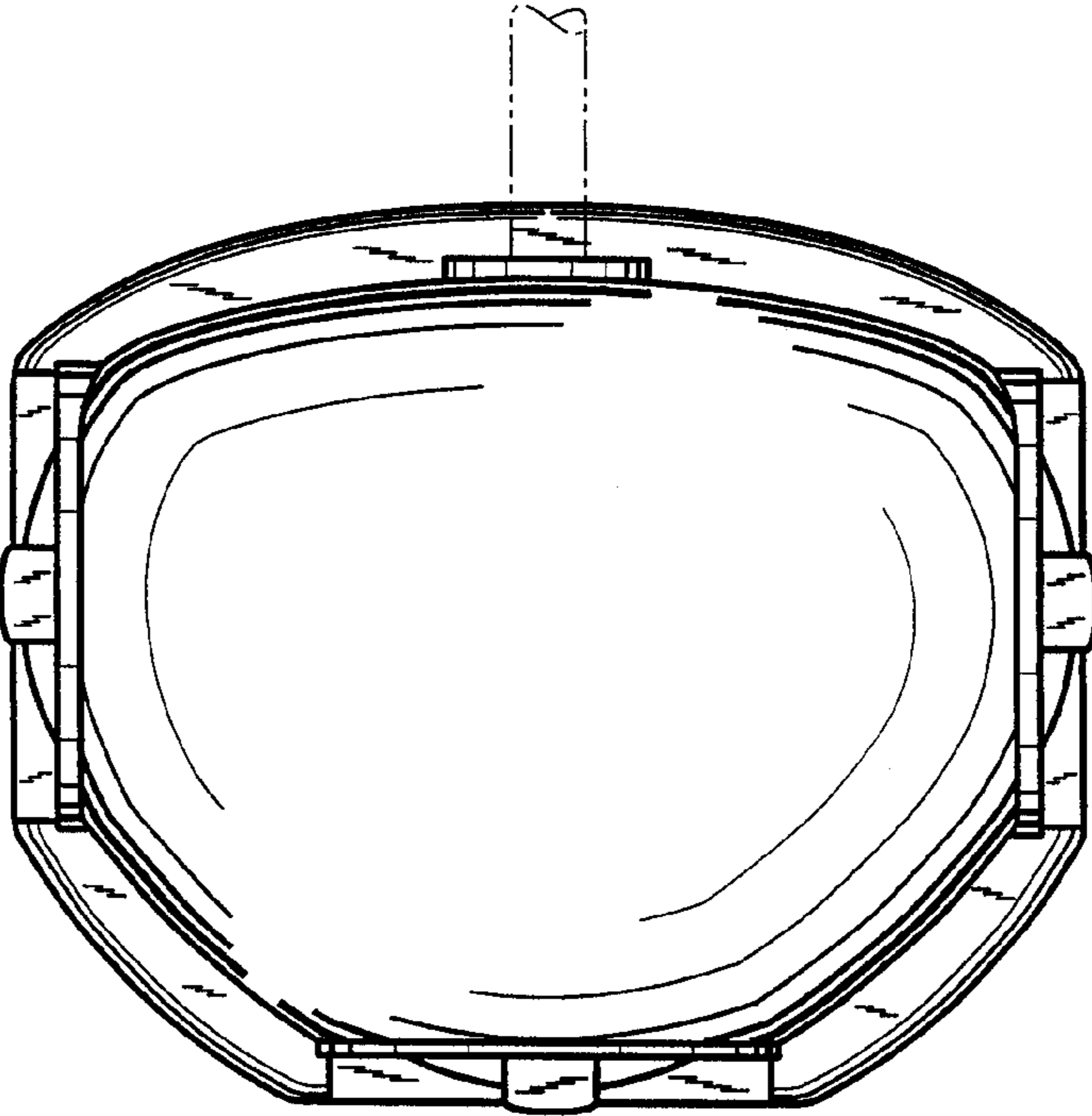


FIG. 5

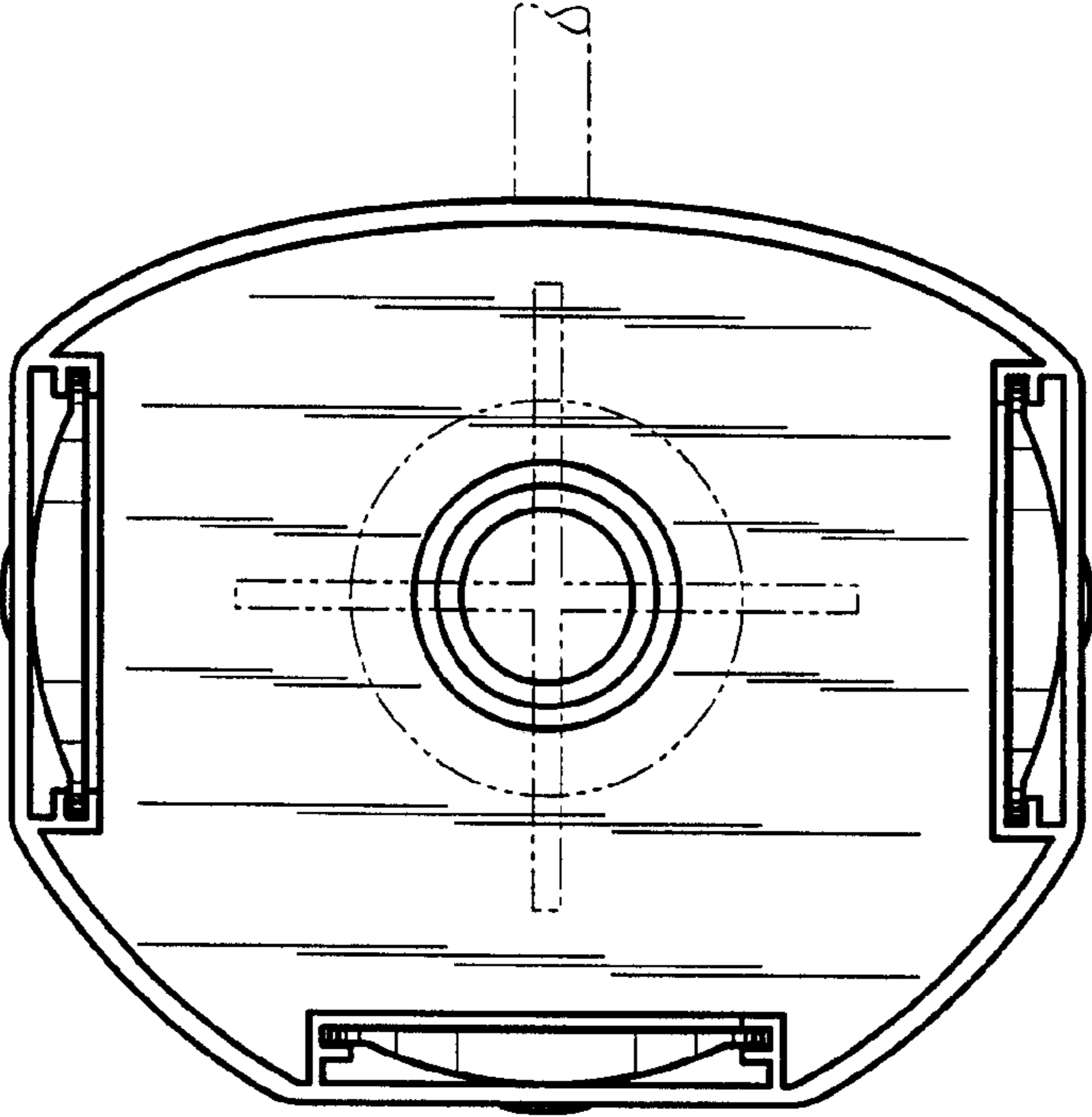
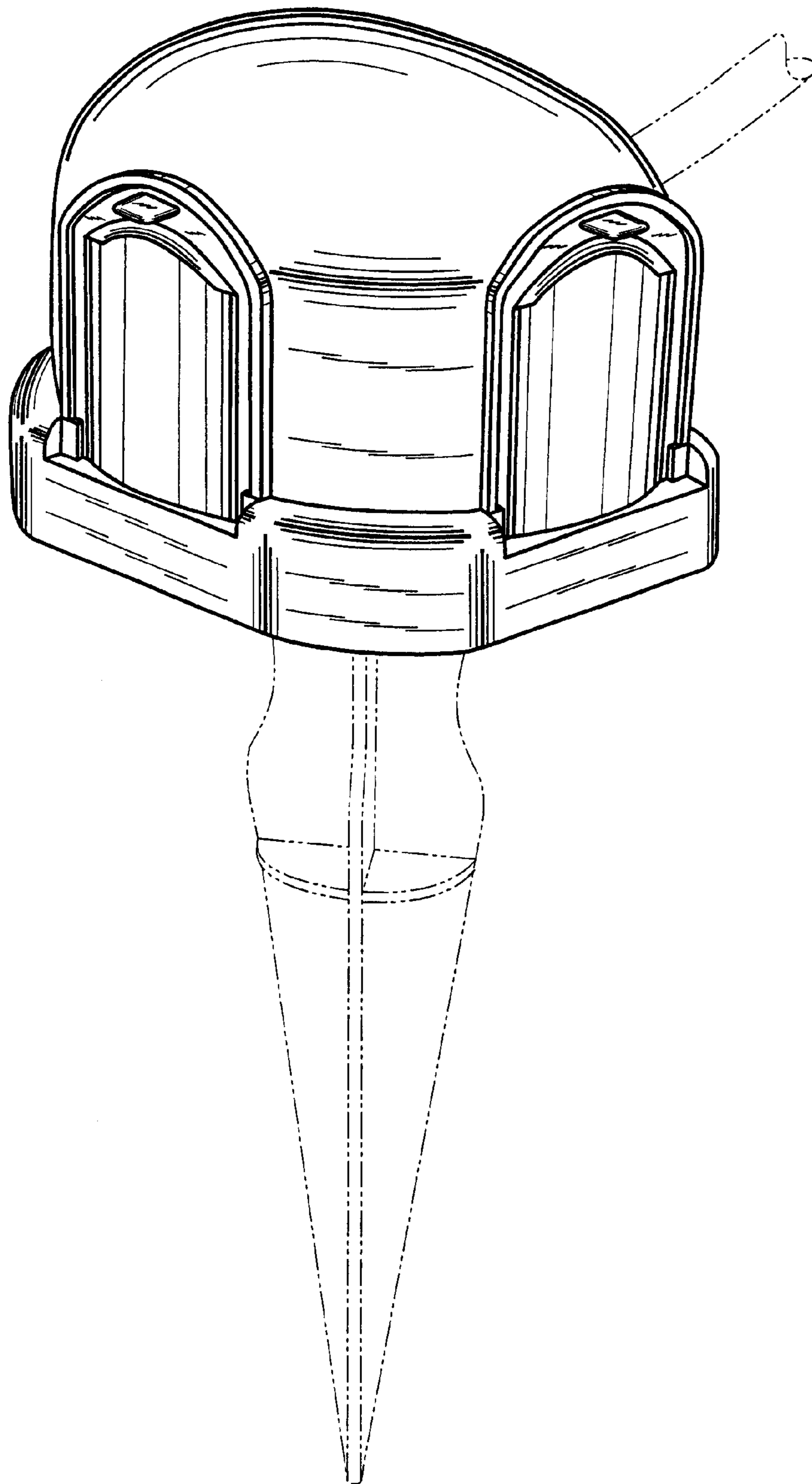
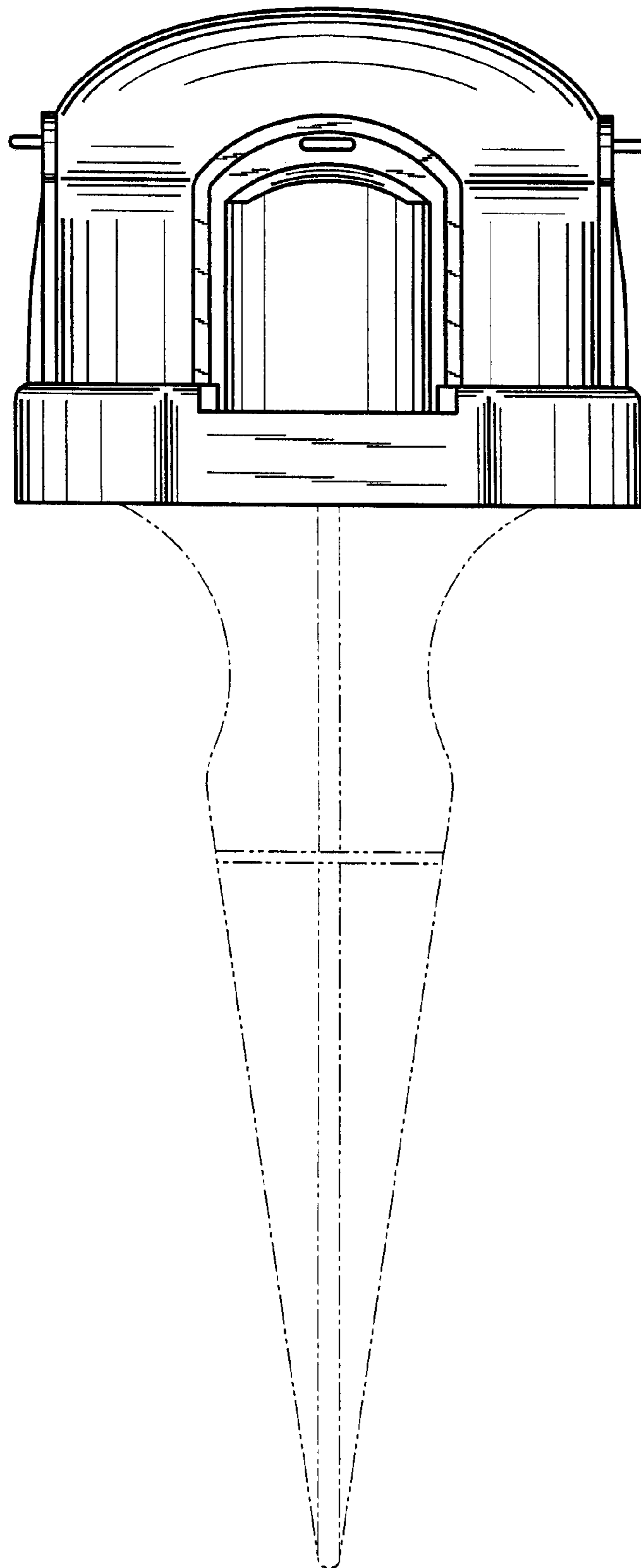


FIG. 6



—FIG. 7



—FIG. 8

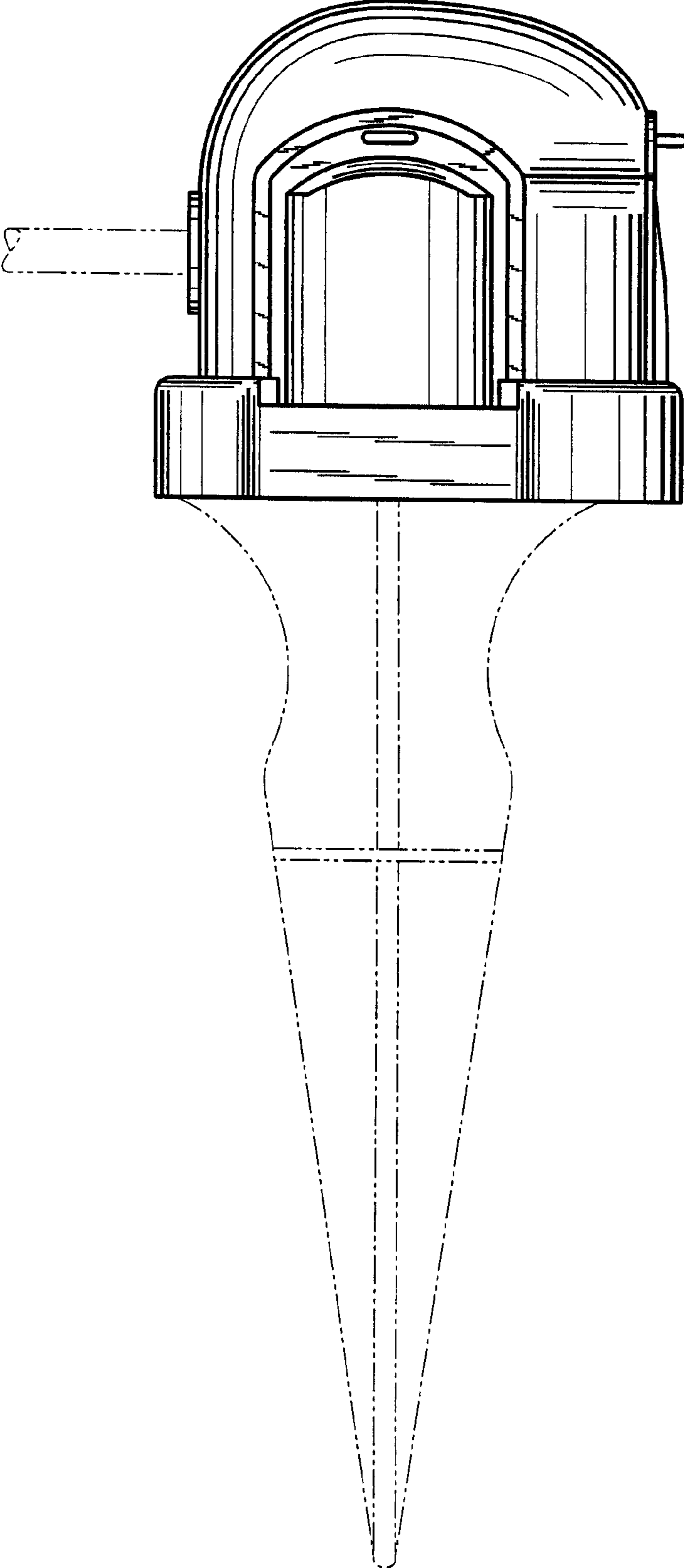


FIG. 9