



US00D515501S

(12) **United States Design Patent**
Kawasaki

(10) **Patent No.:** **US D515,501 S**

(45) **Date of Patent:** **** Feb. 21, 2006**

(54) **BATTERY CHARGER**

(75) **Inventor:** **Masato Kawasaki**, Tokyo (JP)

(73) **Assignee:** **Sony Corporation**, Tokyo (JP)

(**) **Term:** **14 Years**

(21) **Appl. No.:** **29/216,541**

(22) **Filed:** **Nov. 5, 2004**

(51) **LOC (8) Cl.** **13-02**

(52) **U.S. Cl.** **D13/107**

(58) **Field of Classification Search** D13/107-110,
D13/118-119, 184; D14/251, 253; 320/107-115
See application file for complete search history.

(56) **References Cited**

U.S. PATENT DOCUMENTS

D331,220 S	*	11/1992	Tsuchiya	D13/107
D339,563 S	*	9/1993	Usami	D13/107
D411,823 S	*	7/1999	Jacobs et al.	D13/107
D421,443 S	*	3/2000	Nagele et al.	D14/253
D456,004 S	*	4/2002	Lie	D13/107
6,384,575 B1	*	5/2002	Chen et al.	320/110
D462,318 S	*	9/2002	Mujica	D13/107
D463,360 S	*	9/2002	Lie	D13/107
D465,452 S	*	11/2002	Lie	D13/107
D466,075 S	*	11/2002	Lie	D13/107

D486,785 S	2/2004	Shindo	
6,876,172 B2	*	4/2005	Lam et al. 320/110
2002/0063550 A1	*	5/2002	Chen et al. 320/110

OTHER PUBLICATIONS

Webpage "Sanyo Charger," http://www.sanyo.co.jp/energy/con/charger_html/charger.html, 1 sheet (Sep. 2004).

* cited by examiner

Primary Examiner—Alan P. Douglas

Assistant Examiner—Rosemary Tarcza

(74) *Attorney, Agent, or Firm*—Rader, Fishman & Grauer PLLC

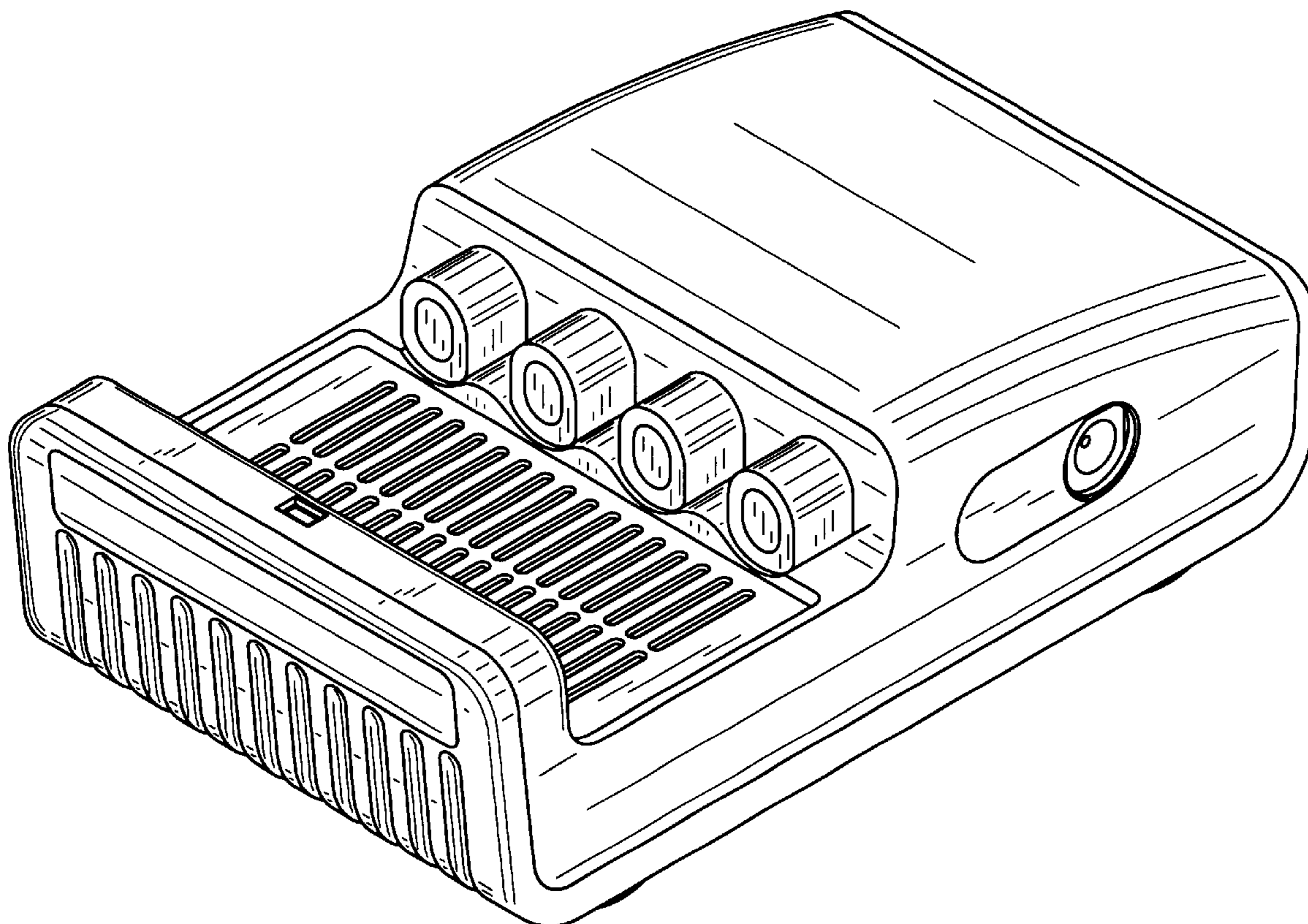
(57) **CLAIM**

The ornamental design for a battery charger, as shown.

DESCRIPTION

FIG. 1 is a perspective view of a battery charger showing my new design;
FIG. 2 is a front elevational view thereof;
FIG. 3 is a rear elevational view thereof;
FIG. 4 is a left side elevational view thereof;
FIG. 5 is a right side elevational view thereof;
FIG. 6 is a top plan view thereof; and,
FIG. 7 is a bottom plan view thereof.

1 Claim, 4 Drawing Sheets



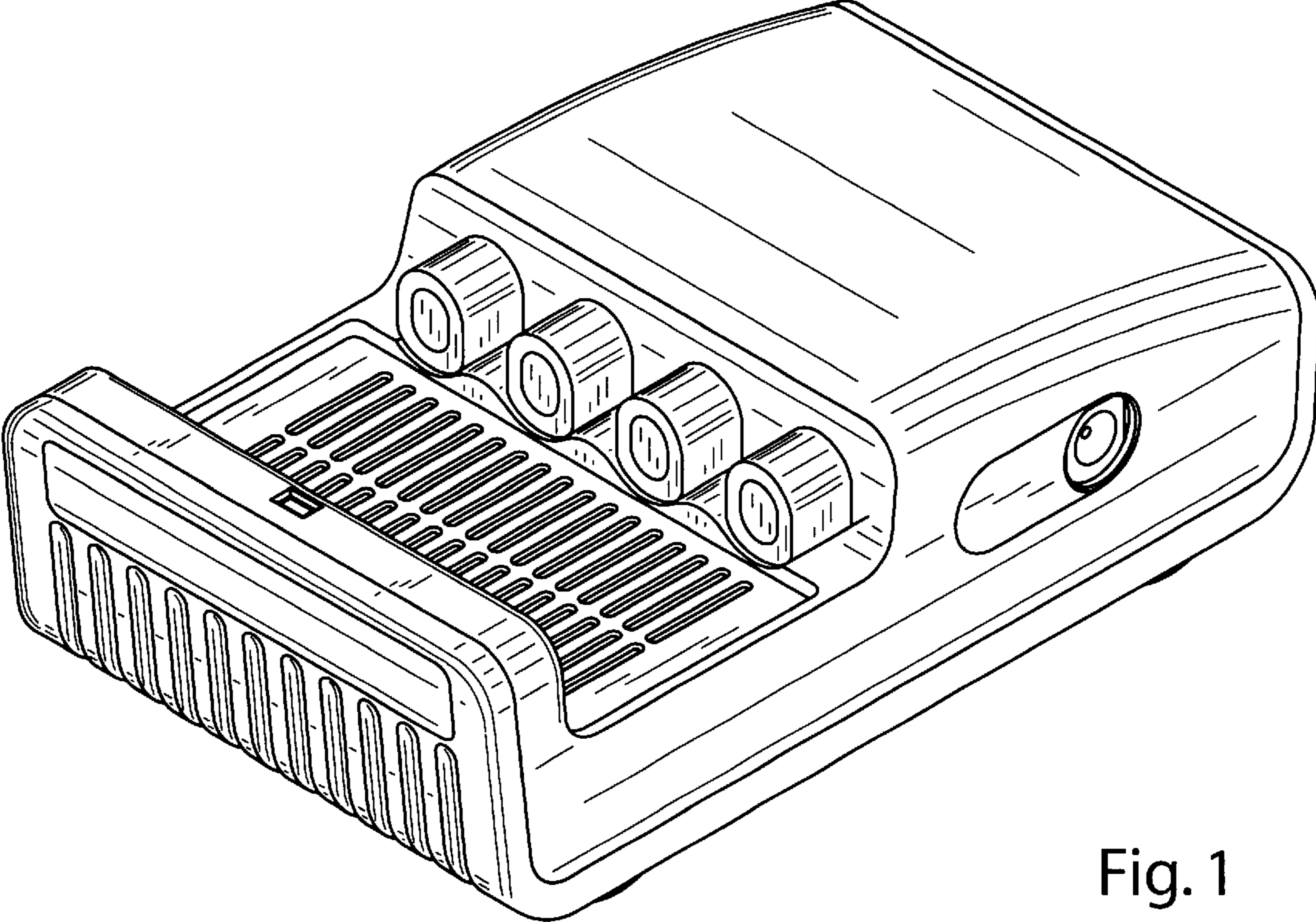


Fig. 1

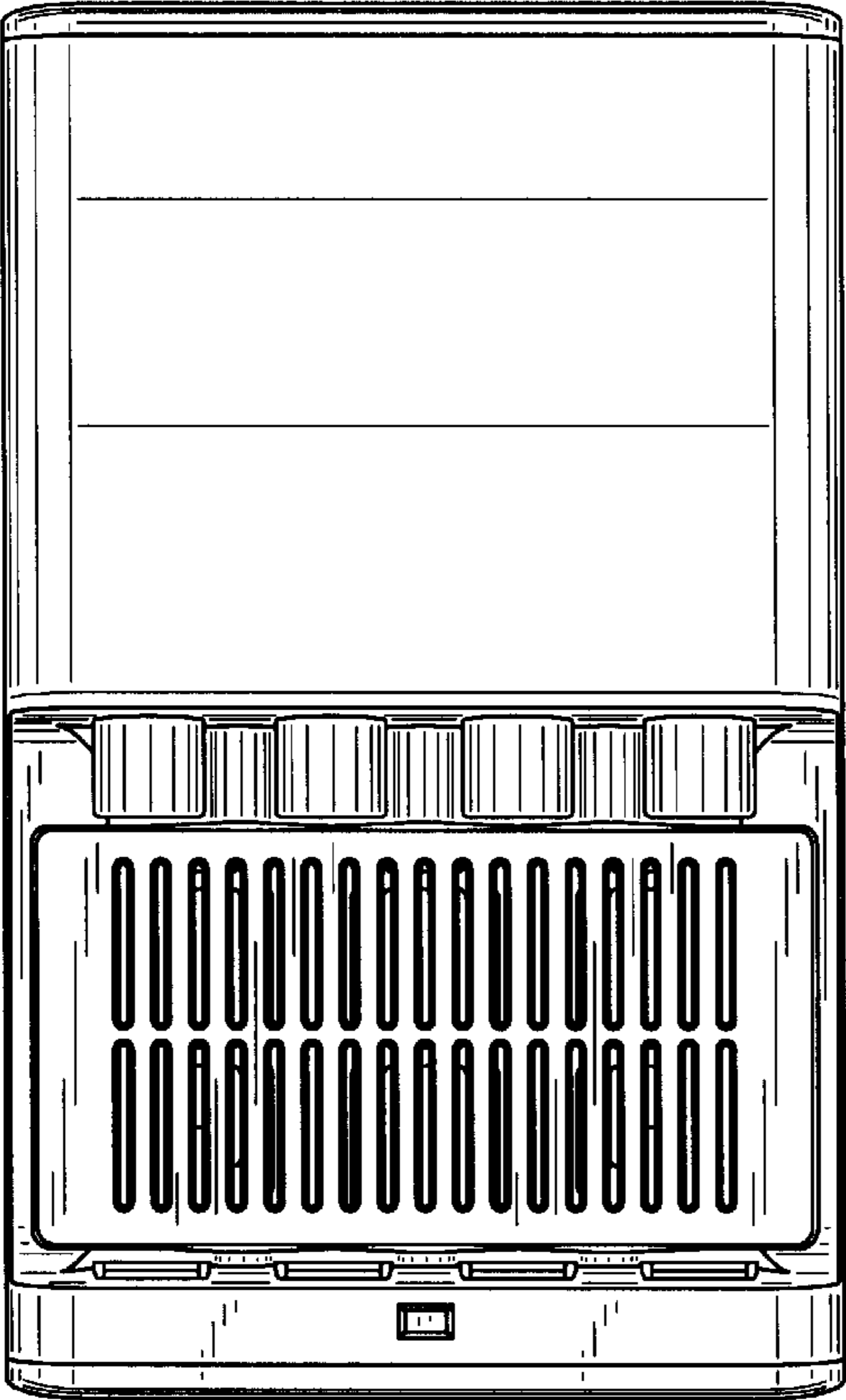


Fig. 2

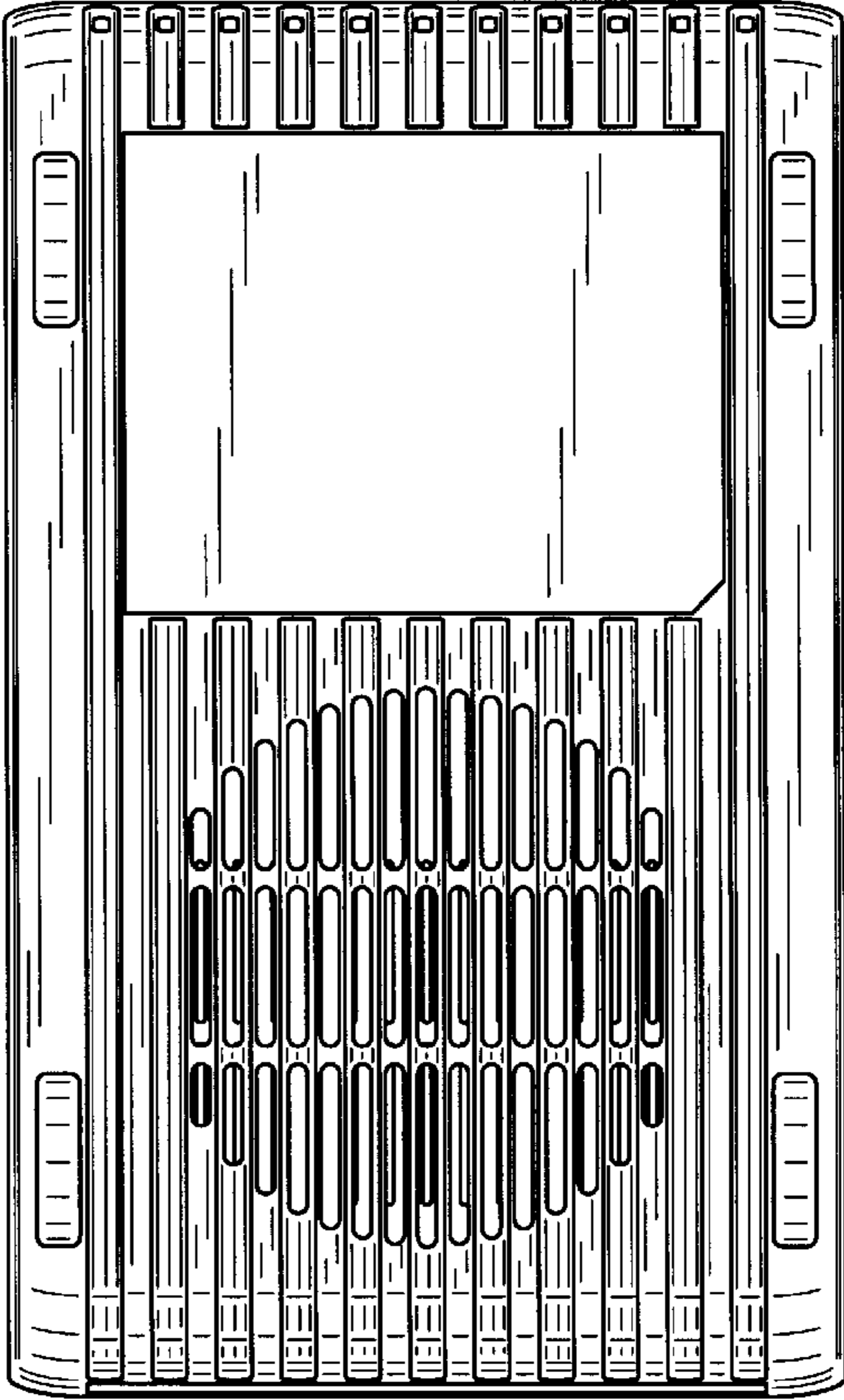


Fig. 3

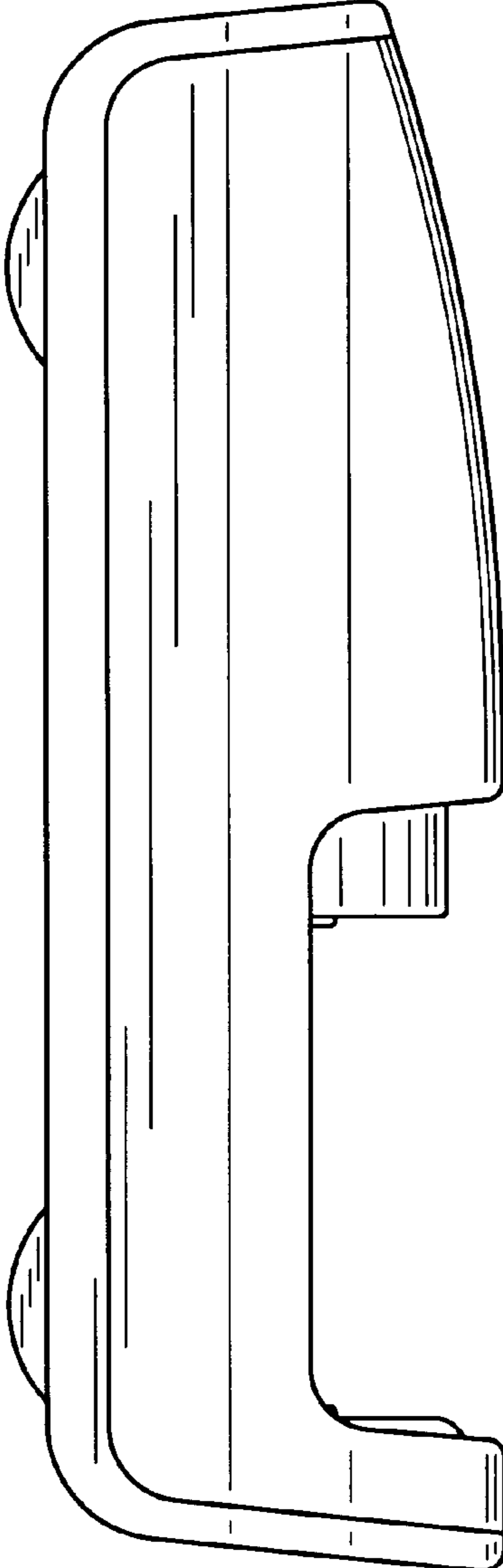


Fig. 4

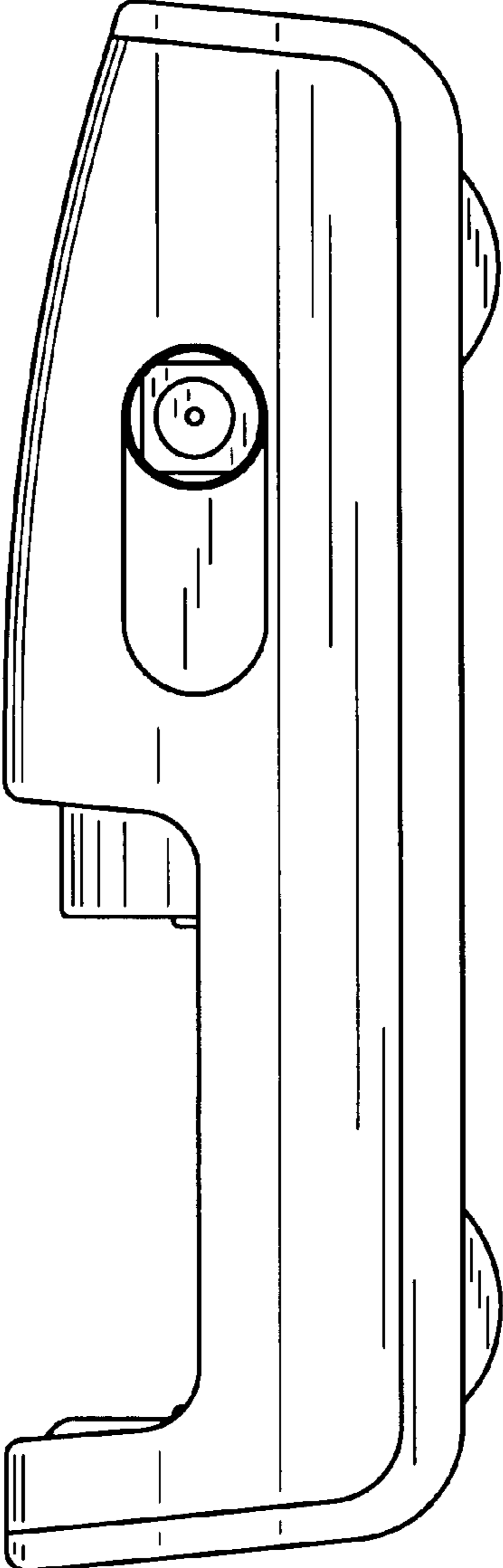


Fig. 5

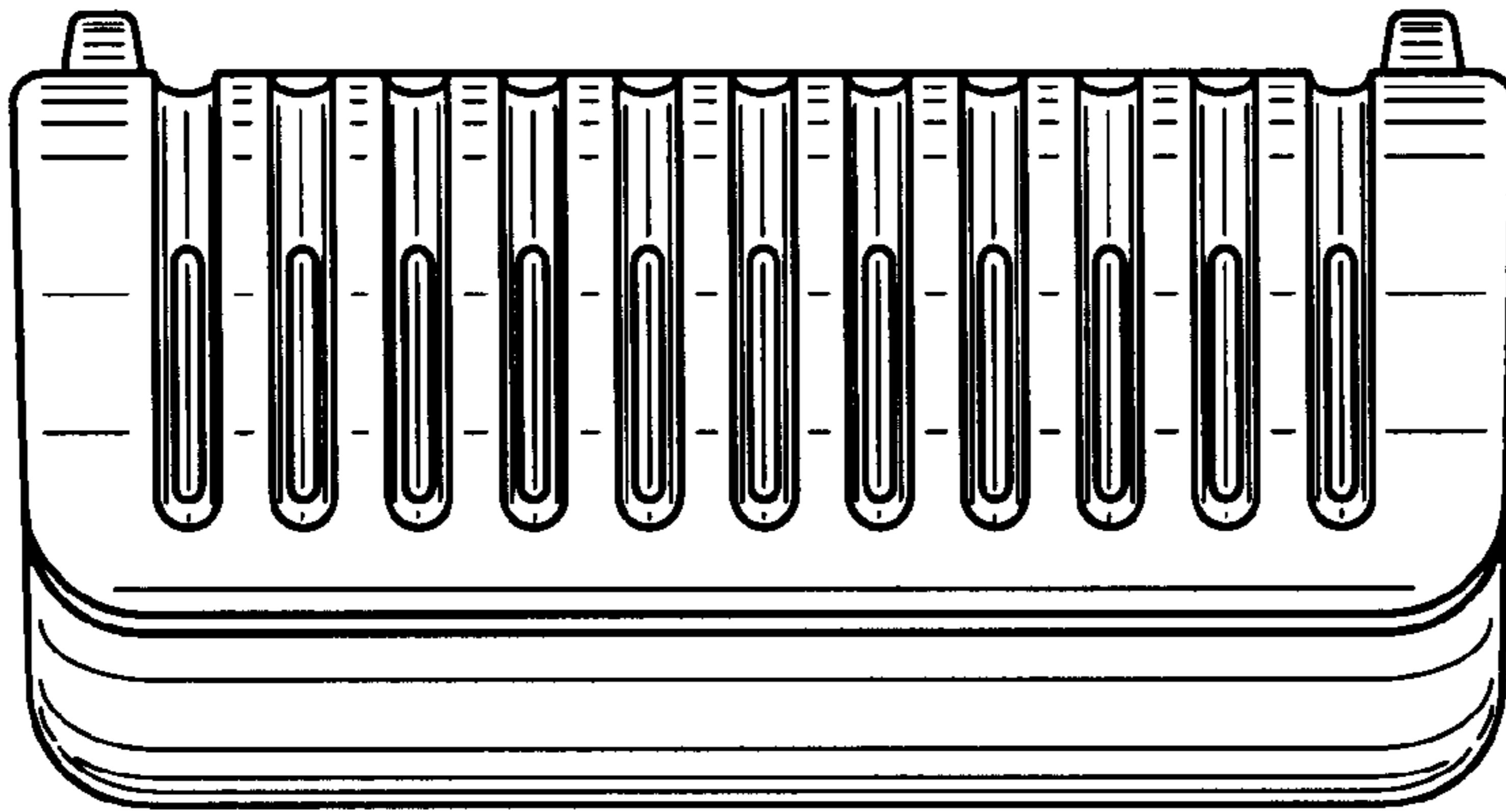


Fig. 6

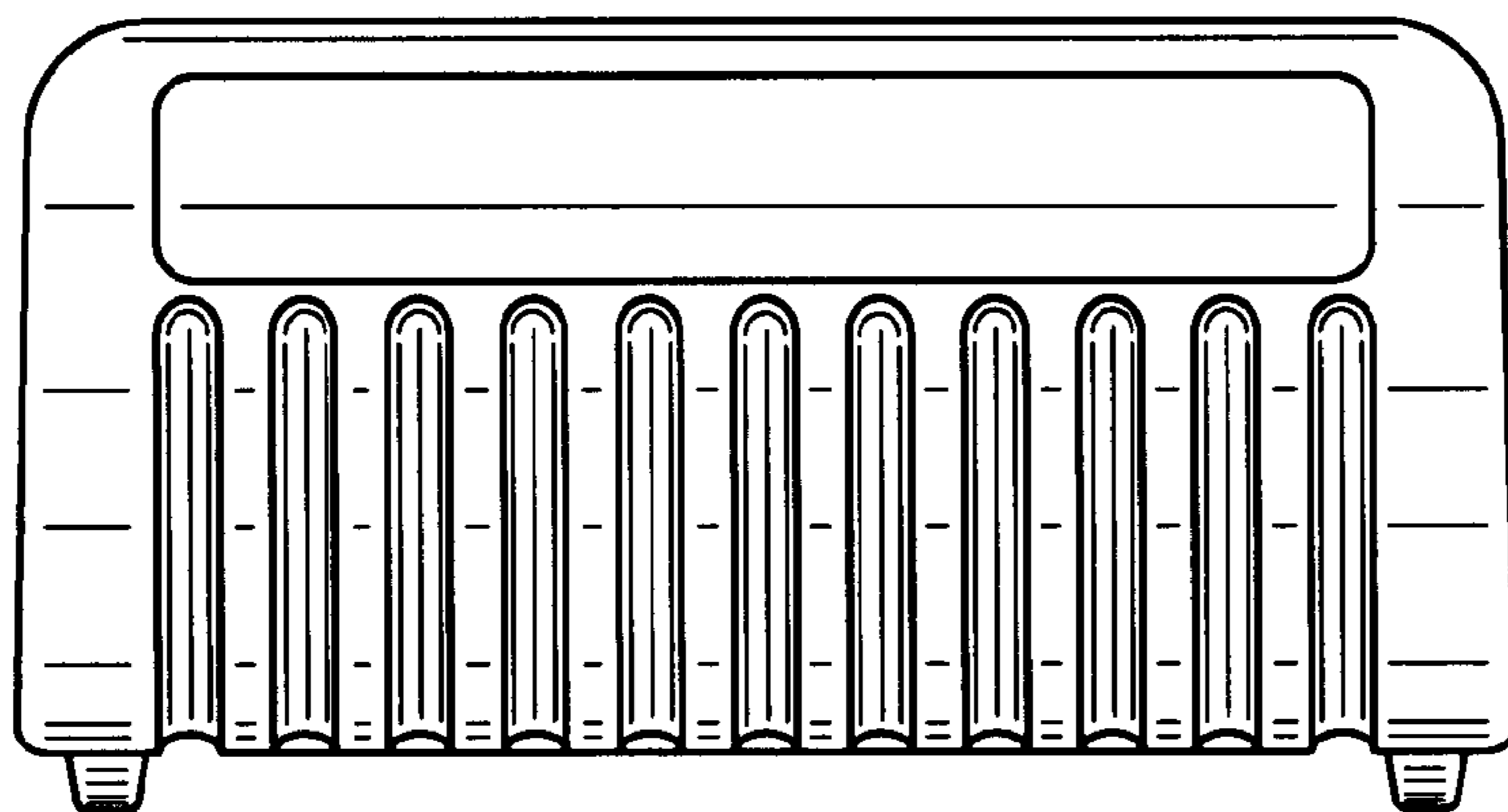


Fig. 7