



US00D515500S

(12) **United States Design Patent**
Khasminsky

(10) **Patent No.:** **US D515,500 S**

(45) **Date of Patent:** **** Feb. 21, 2006**

(54) **CHARGING UNIT**

(75) **Inventor:** **Gene Khasminsky, Vaughn (CA)**

(73) **Assignee:** **Spin Master Ltd., Toronto (CA)**

(**) **Term:** **14 Years**

(21) **Appl. No.:** **29/207,910**

(22) **Filed:** **Jun. 21, 2004**

(30) **Foreign Application Priority Data**

Mar. 16, 2004 (CA) 106248

(51) **LOC (8) Cl.** **13-02**

(52) **U.S. Cl.** **D13/107**

(58) **Field of Classification Search** D13/107-110,
D13/118-119, 184; D14/251, 253; D320/107-115
See application file for complete search history.

(56) **References Cited**

U.S. PATENT DOCUMENTS

| | | | | |
|------------|---|---------|--------------------------|---------|
| D373,992 S | * | 9/1996 | Rosen et al. | D13/107 |
| D375,937 S | * | 11/1996 | Mergenthaler et al. | D13/110 |
| D383,115 S | * | 9/1997 | Nagele et al. | D13/110 |
| D384,336 S | * | 9/1997 | Gerber et al. | D13/184 |
| D407,066 S | * | 3/1999 | Renk | D13/110 |
| D408,823 S | * | 4/1999 | Kirby | D14/240 |
| D413,567 S | * | 9/1999 | Person et al. | D13/110 |

| | | | | |
|------------|---|---------|---------------------|---------|
| D460,424 S | * | 7/2002 | Zhao | D13/184 |
| D478,546 S | * | 8/2003 | Andre et al. | D13/110 |
| D479,823 S | * | 9/2003 | Andre et al. | D13/110 |
| D483,721 S | * | 12/2003 | Kim et al. | D13/110 |
| D492,251 S | * | 6/2004 | Cameron et al. | D13/110 |
| D494,940 S | * | 8/2004 | Fiocchi | D13/184 |

* cited by examiner

Primary Examiner—Pamela Burgess

Assistant Examiner—Rosemary Tarca

(74) *Attorney, Agent, or Firm*—Cohen, Pontani, Lieberman & Pavane

(57) **CLAIM**

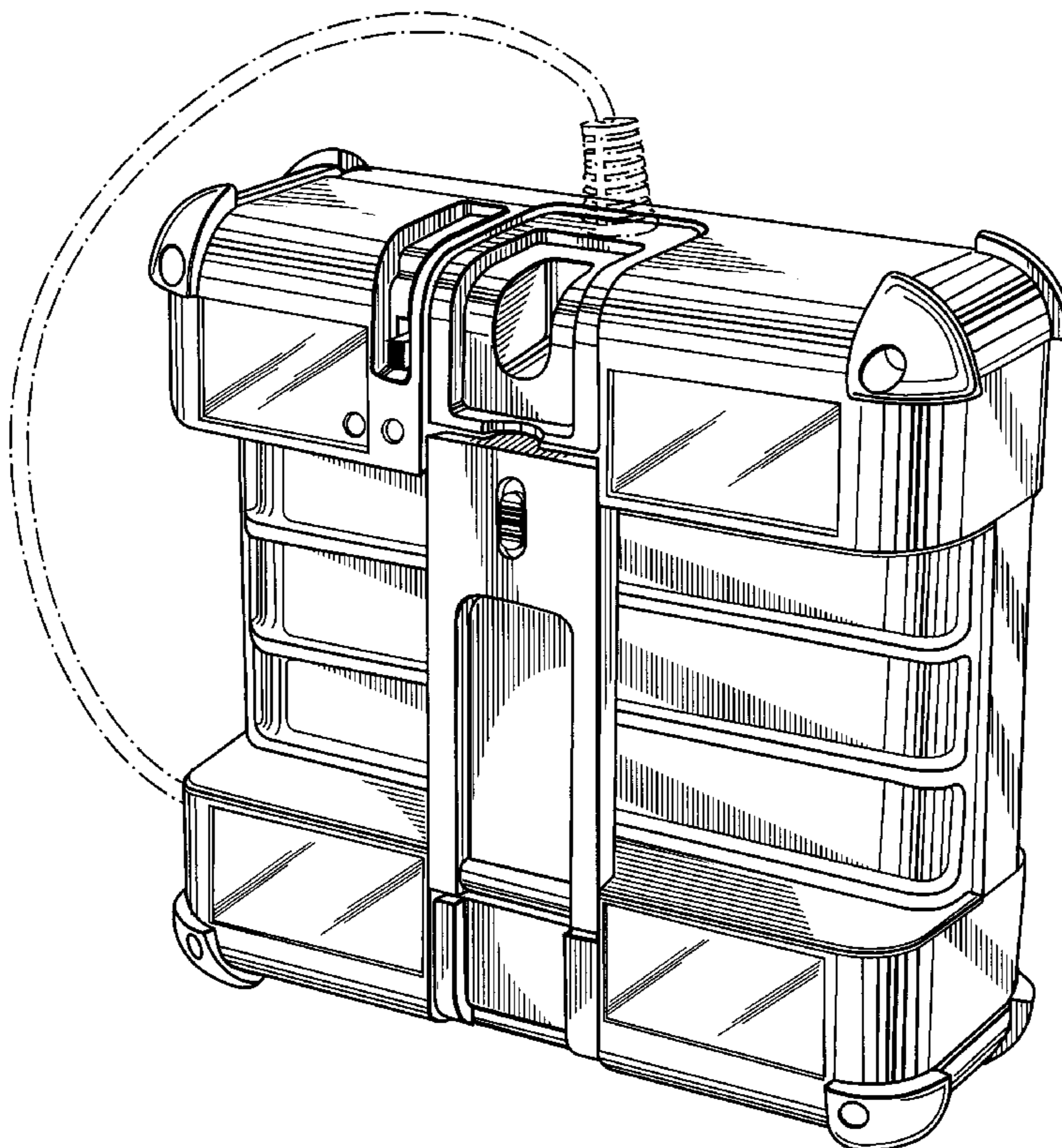
The ornamental design for a charging unit, as shown and described.

DESCRIPTION

FIG. 1 is a perspective view of the charging unit; FIG. 2 is a front view of the charging unit; FIG. 3 is a back view of the charging unit; FIG. 4 is a left side view of the charging unit; FIG. 5 is a right side view of the charging unit; FIG. 6 is a top view of the charging unit; and, FIG. 7 is a bottom view of the charging unit.

The broken lines in the figures are for illustrative purposes only and form no part of the claimed design.

1 Claim, 5 Drawing Sheets



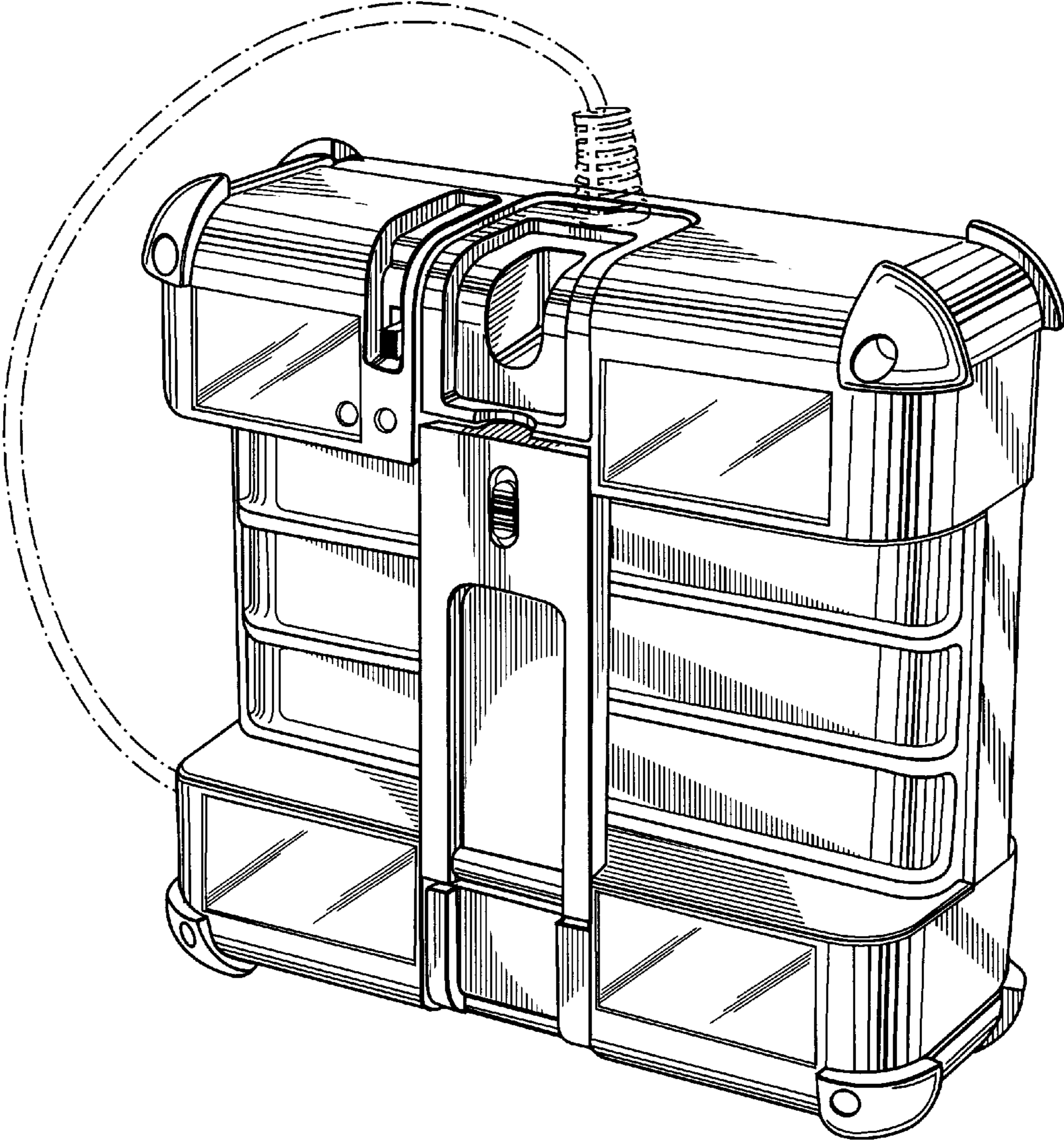


FIG. 1

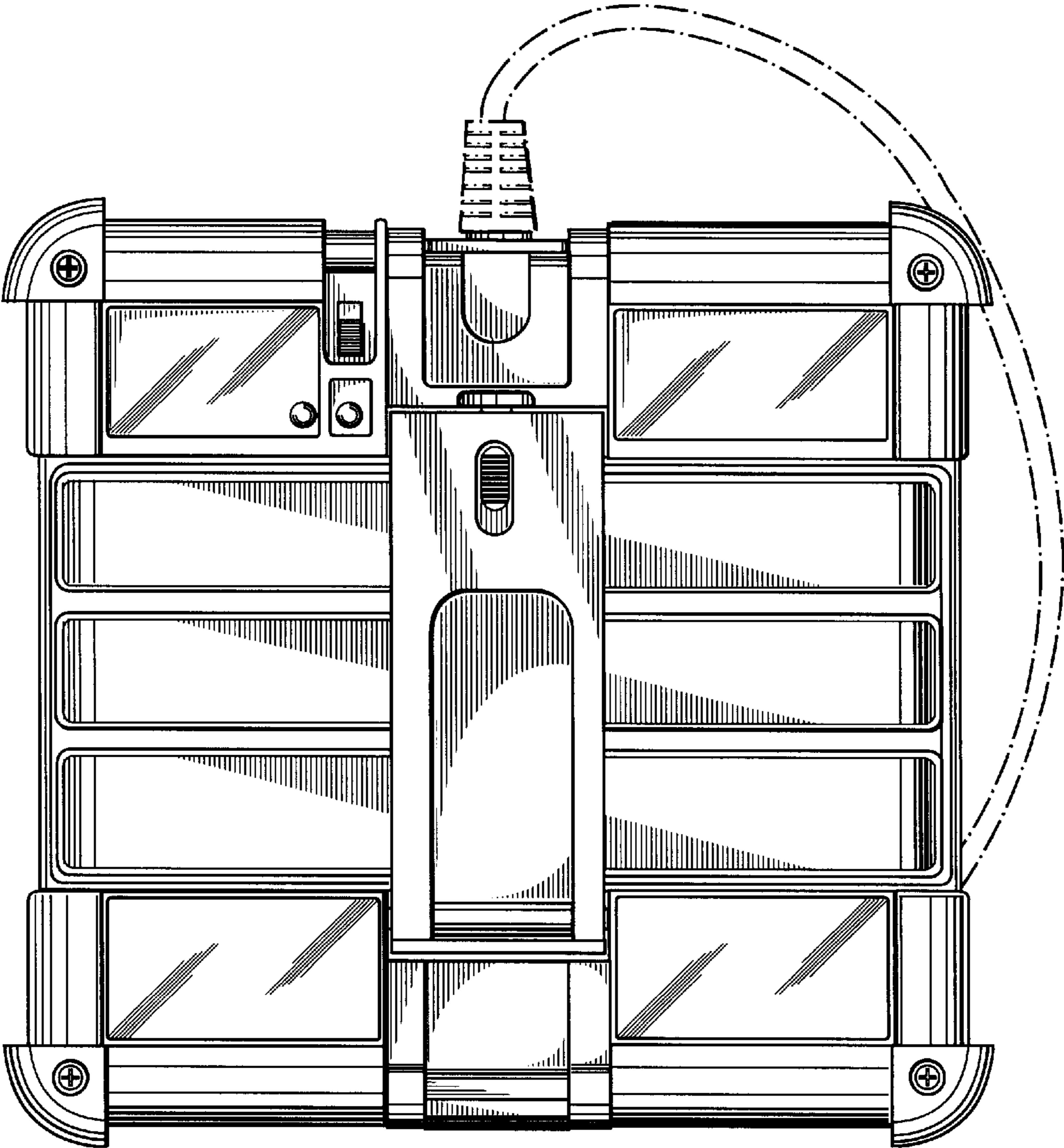


FIG. 2

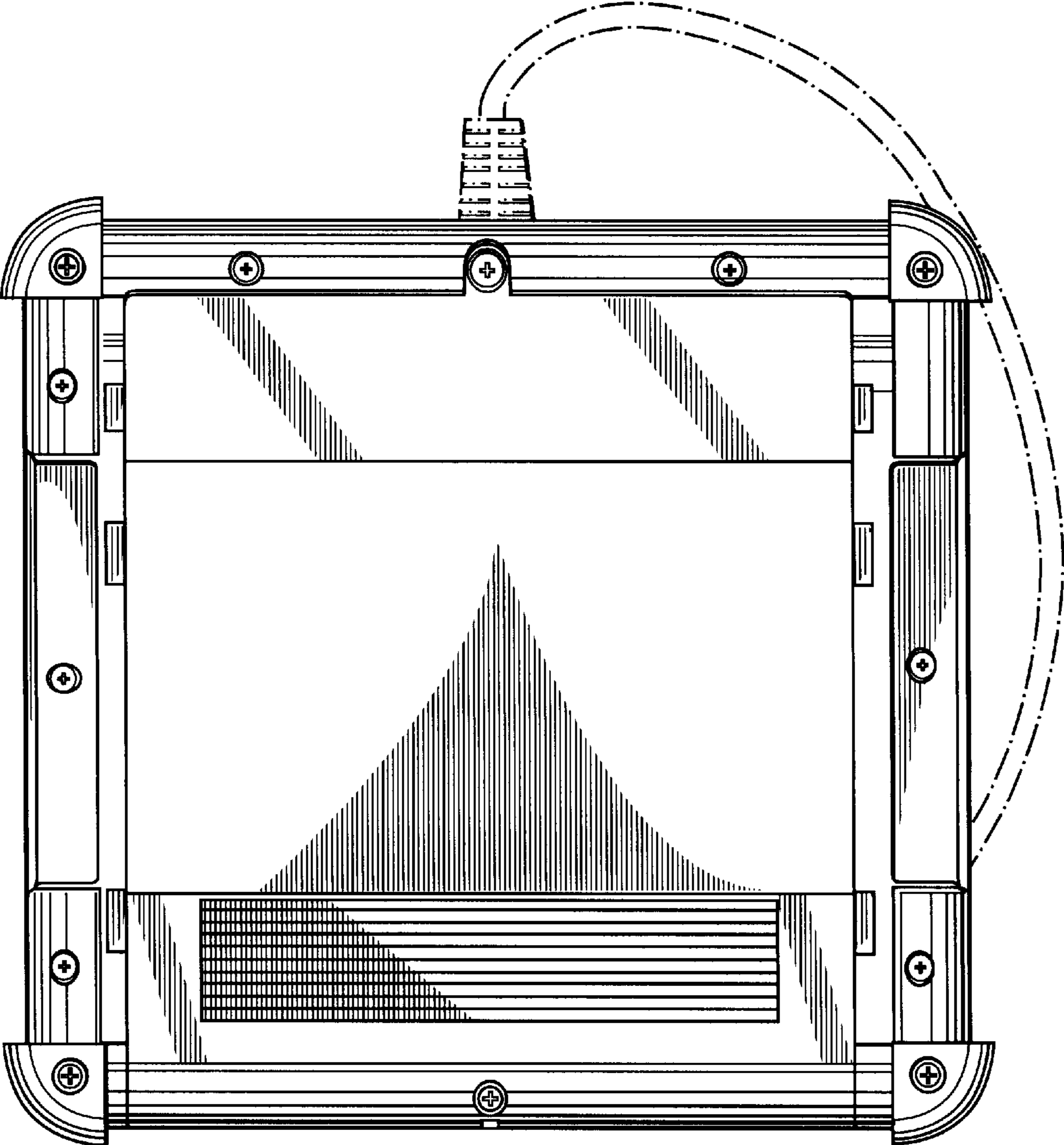


FIG. 3

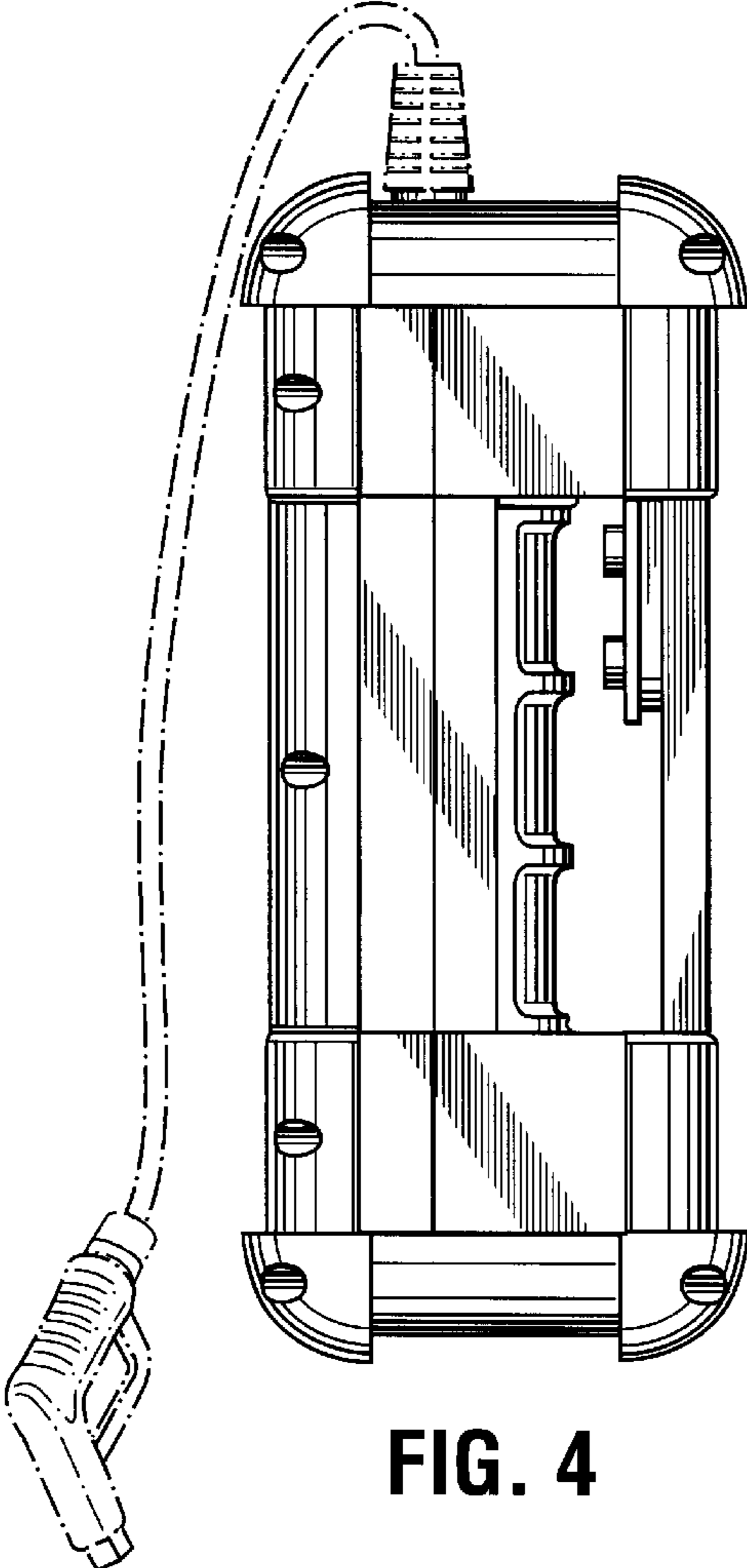


FIG. 4

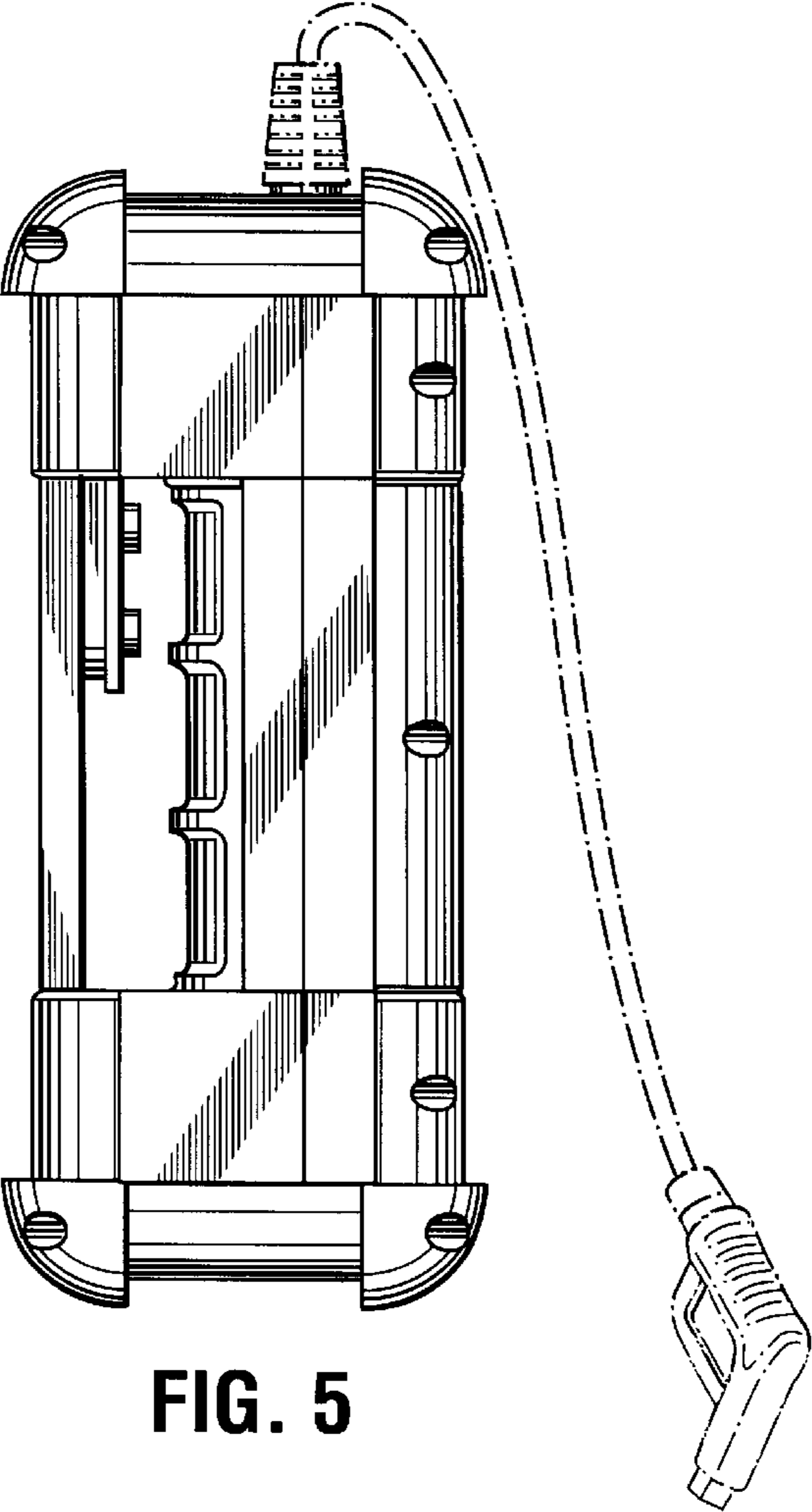


FIG. 5

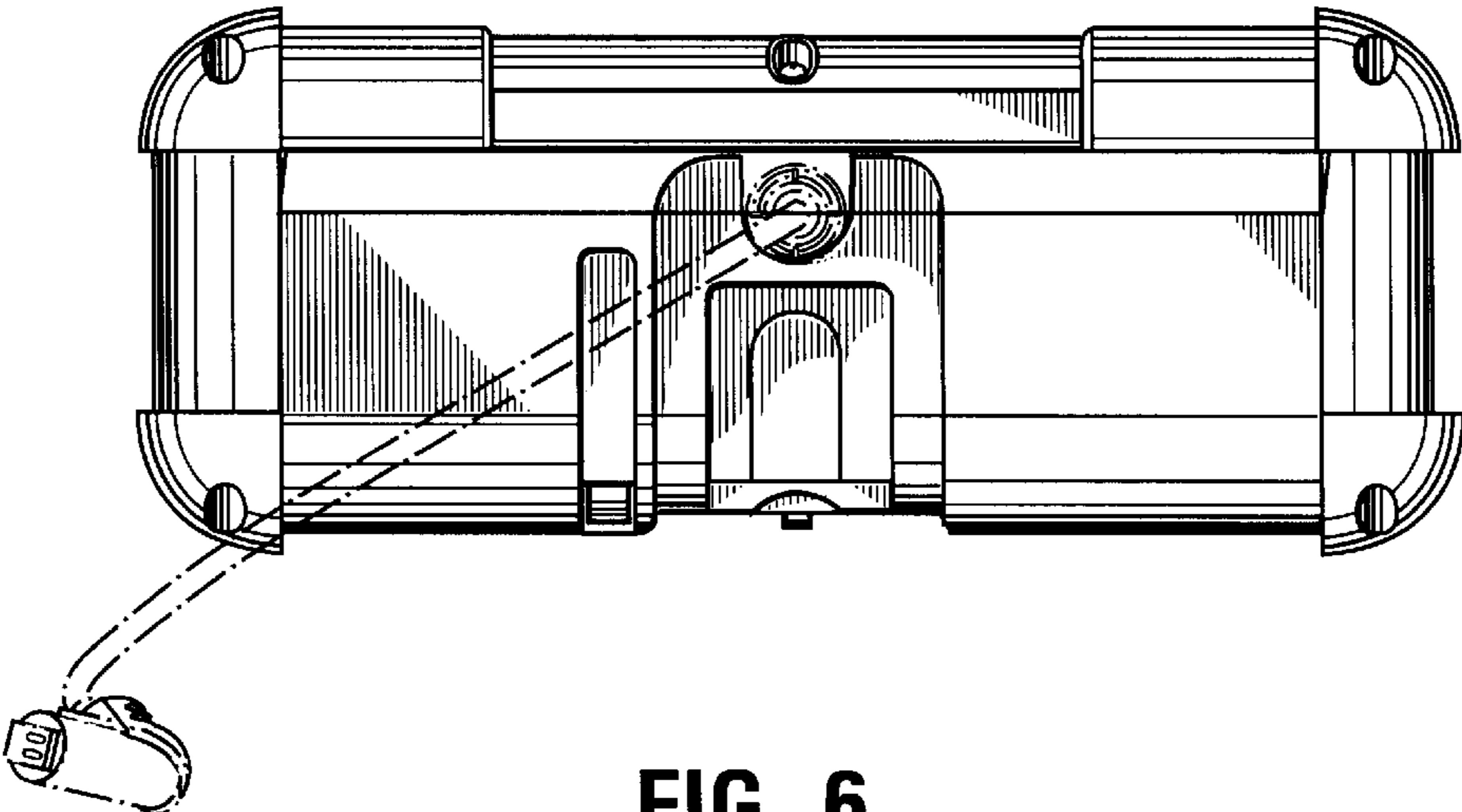


FIG. 6

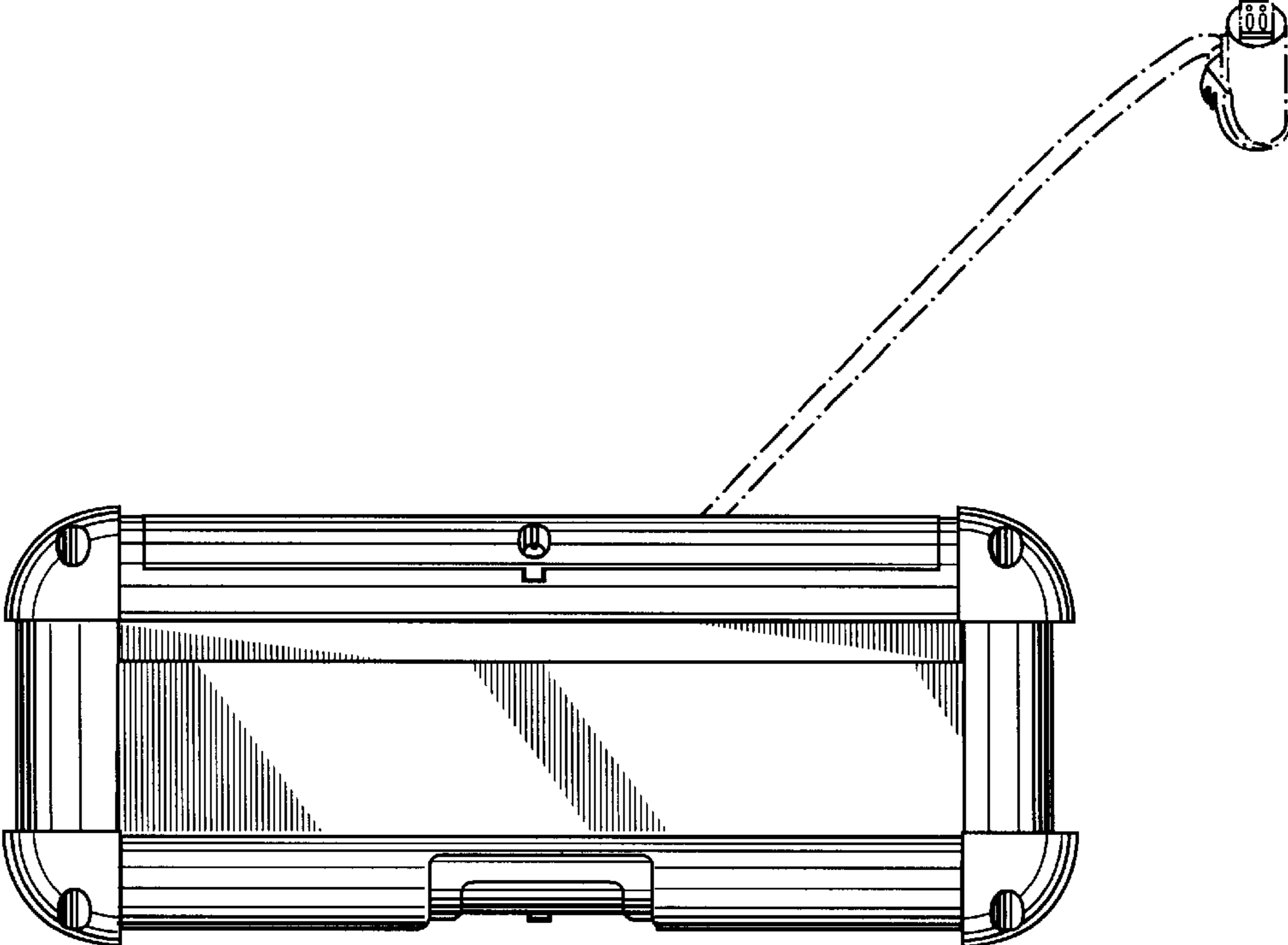


FIG. 7