



US00D515495S

(12) **United States Design Patent** (10) **Patent No.:** **US D515,495 S**  
**Storer** (45) **Date of Patent:** **\*\* Feb. 21, 2006**

(54) **PRE-RUNNER TRUCK RACK**  
 (75) Inventor: **Ron D. Storer**, Villa Park, CA (US)  
 (73) Assignee: **Xtreme Metal Fab., Inc.**, Brea, CA (US)  
 (\*\*) Term: **14 Years**  
 (21) Appl. No.: **29/226,263**  
 (22) Filed: **Mar. 25, 2005**  
 (51) **LOC (8) Cl.** ..... **12-16**  
 (52) **U.S. Cl.** ..... **D12/406**  
 (58) **Field of Classification Search** ..... D12/414-414.1, D12/406, 412; 296/3, 26, 50-56, 24.1-24.2, 296/180.1, 7; 280/727, 756; 224/402-405, 224/494, 309, 488, 310, 273, 314, 42.03; 211/182, 162, 175-176, 205-206; 410/139-145, 410/108-110, 151, 129; 52/731.6-731.7, 52/735.1, 737.6  
 See application file for complete search history.

D360,614 S 7/1995 Alcocer  
 D363,460 S 10/1995 Marshall  
 5,476,301 A 12/1995 Berkich  
 5,492,259 A \* 2/1996 Tippets ..... 224/494  
 D367,843 S 3/1996 Tayar  
 5,560,666 A 10/1996 Vieira et al.  
 5,692,791 A 12/1997 Sulzer  
 D394,639 S \* 5/1998 Carter ..... D12/406  
 5,752,734 A 5/1998 Ward et al.  
 5,806,905 A 9/1998 Moore  
 5,836,635 A 11/1998 Dorman  
 D436,915 S 1/2001 Burger  
 D444,446 S 7/2001 Carter  
 6,367,673 B1 4/2002 Smith et al.  
 6,394,524 B1 5/2002 Morse  
 D463,358 S \* 9/2002 Thomas ..... D12/406  
 6,513,849 B1 2/2003 Carter  
 6,520,723 B1 2/2003 Christensen  
 D493,414 S \* 7/2004 Condos et al. .... D12/406  
 D494,921 S \* 8/2004 Taylor ..... D12/414

\* cited by examiner

*Primary Examiner*—Stacia Cadmus  
 (74) *Attorney, Agent, or Firm*—Stetina Brunda Garred & Brucker

(56) **References Cited**  
**U.S. PATENT DOCUMENTS**

D244,268 S 5/1977 Hinch  
 4,152,020 A 5/1979 Brown et al.  
 D253,170 S \* 10/1979 Ramirez ..... D12/412  
 4,211,448 A 7/1980 Weston  
 4,267,948 A \* 5/1981 Lewis ..... 224/405  
 4,278,175 A 7/1981 Jackson  
 4,659,131 A 4/1987 Flournoy, Jr.  
 4,854,628 A \* 8/1989 Halberg ..... 296/3  
 D305,111 S \* 12/1989 Zagner ..... D12/412  
 5,002,324 A 3/1991 Griffin  
 D318,447 S 7/1991 Haugen et al.  
 5,037,152 A 8/1991 Hendricks  
 5,061,000 A 10/1991 Haugen et al.  
 5,143,415 A 9/1992 Boudah  
 5,152,570 A 10/1992 Hood  
 5,192,107 A 3/1993 Smith, Sr.  
 5,303,858 A 4/1994 Price  
 5,316,190 A 5/1994 Bullock

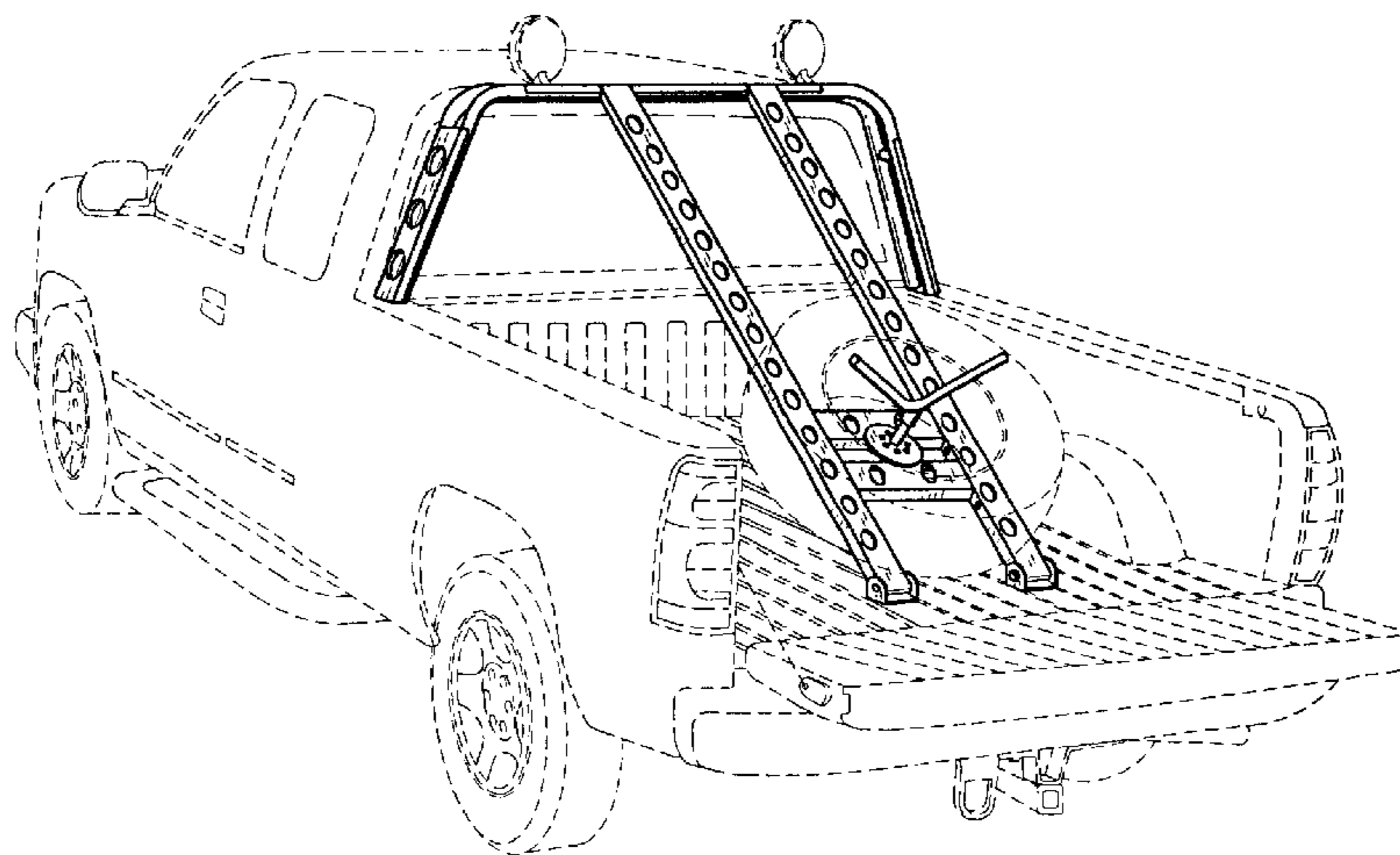
(57) **CLAIM**

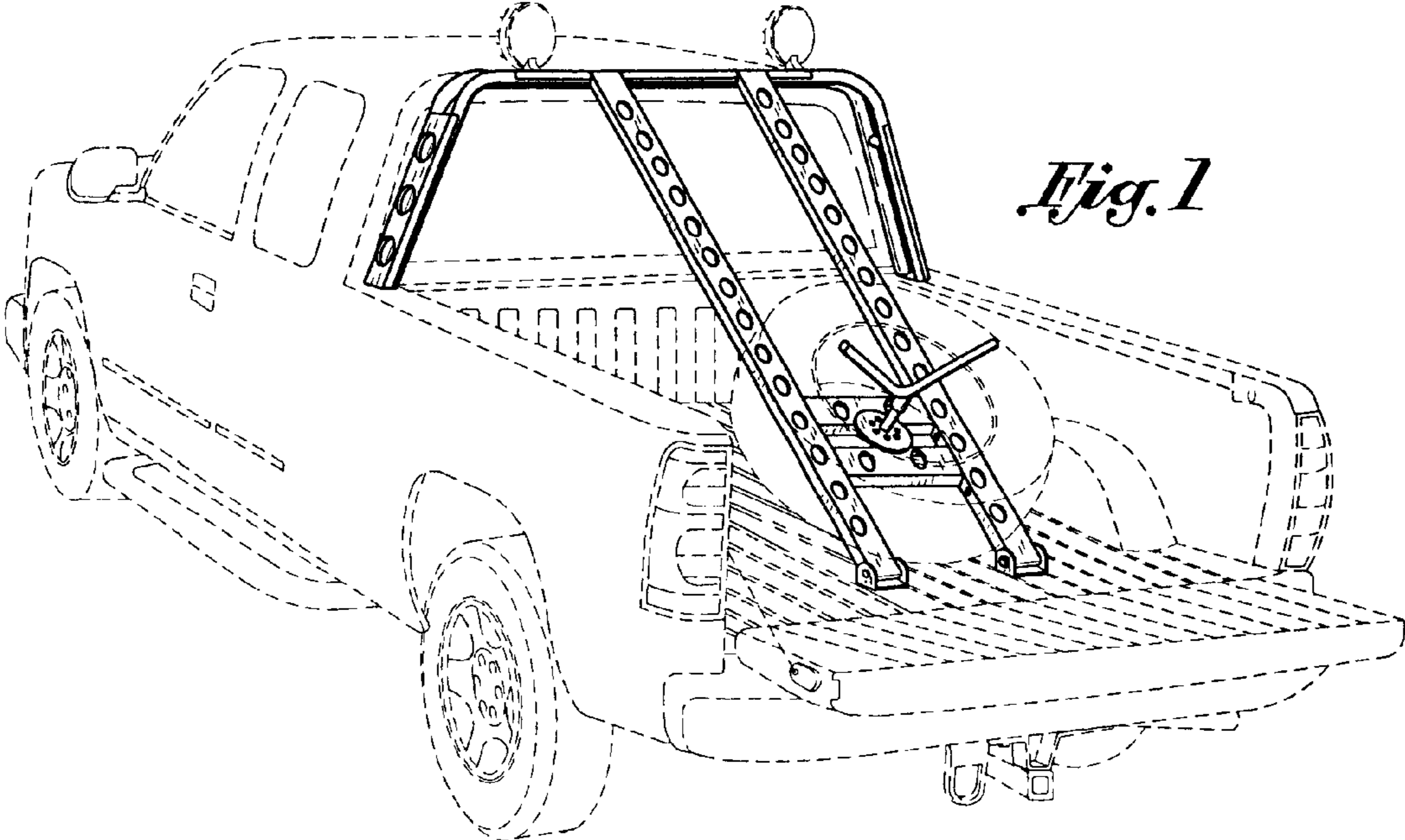
The ornamental design for a pre-runner truck rack, as shown and described.

**DESCRIPTION**

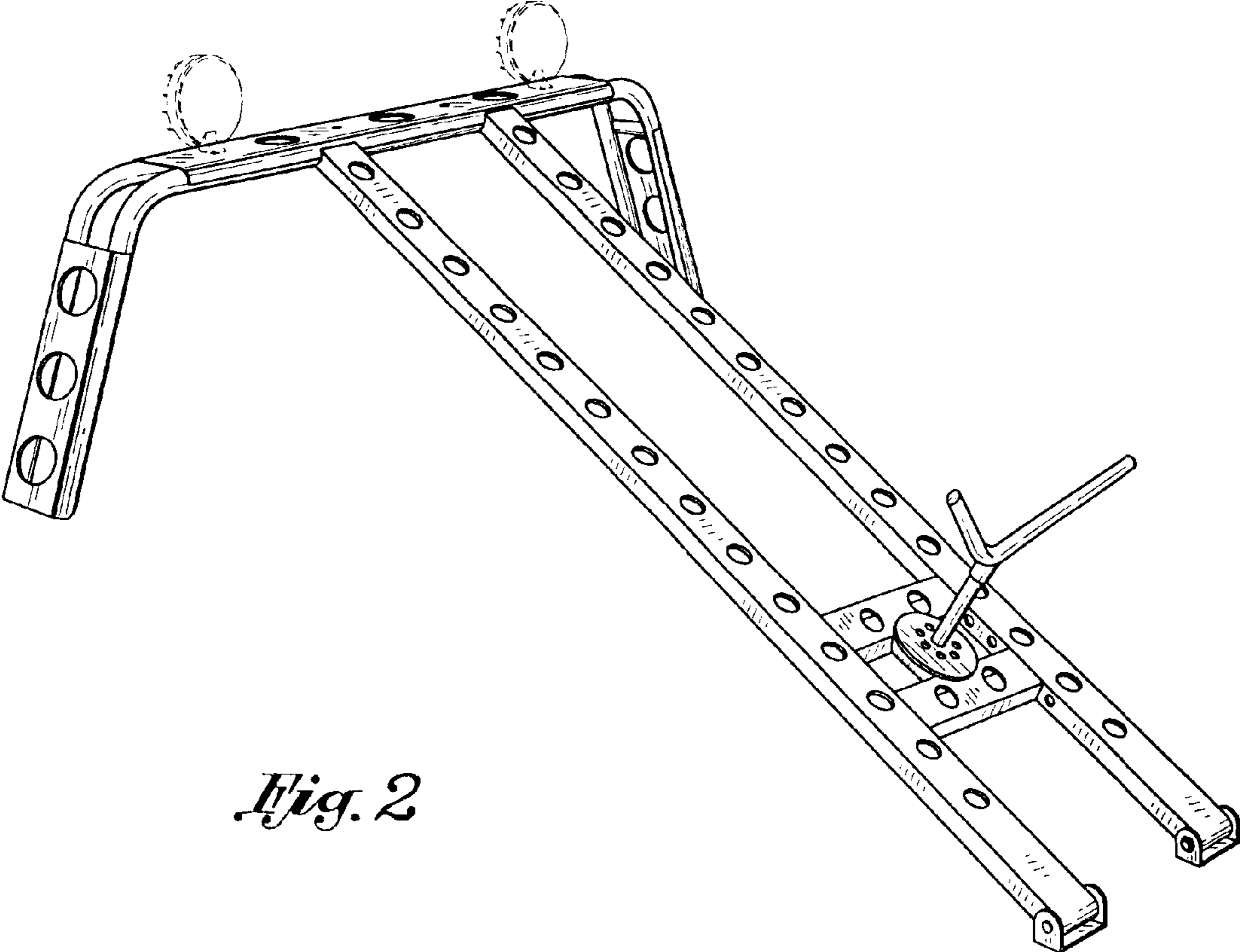
FIG. 1 is a perspective view of the pre-runner truck rack of the present invention showing my new design with the phantom lines depicting solely environmental structure and forming no part of the claimed design; FIG. 2 comprises an enlarged perspective view thereof; FIG. 3 is a top plan view of FIG. 2; FIG. 4 is a left side elevational view of FIG. 2; FIG. 5 is a rear elevational view of FIG. 2; FIG. 6 is a front elevational view of FIG. 2; and, FIG. 7 is a bottom plan view of FIG. 2.

**1 Claim, 3 Drawing Sheets**

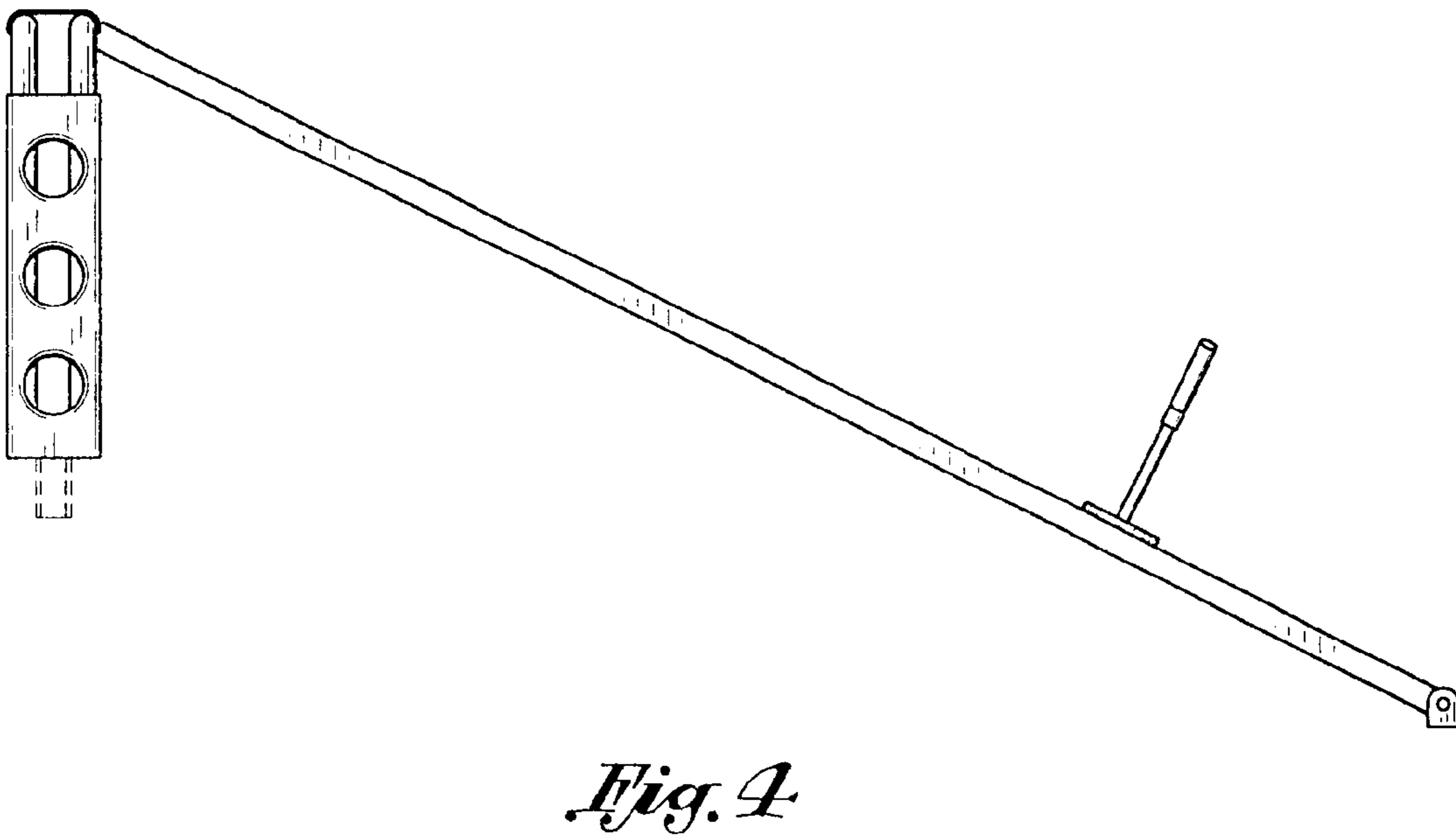
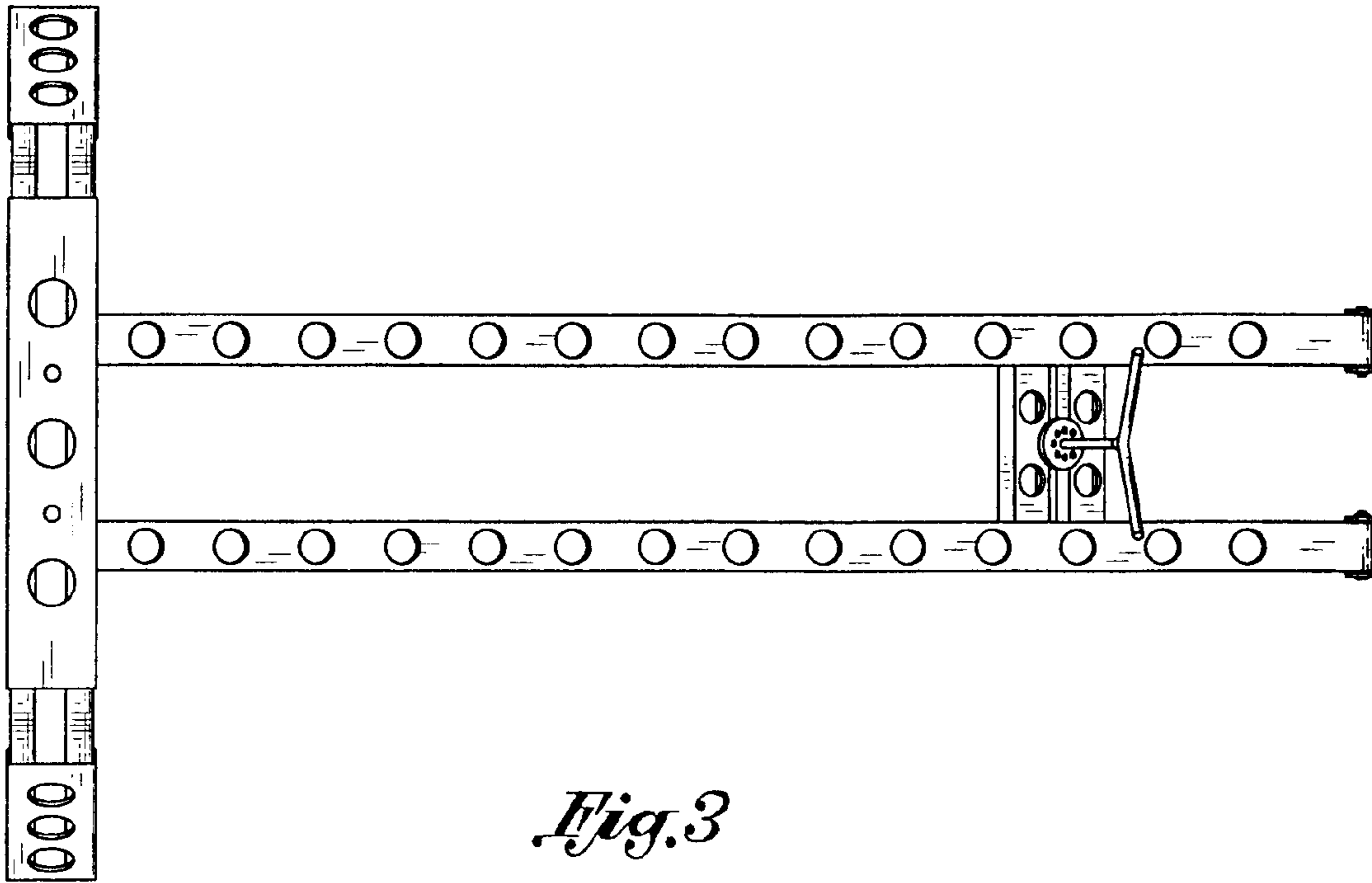




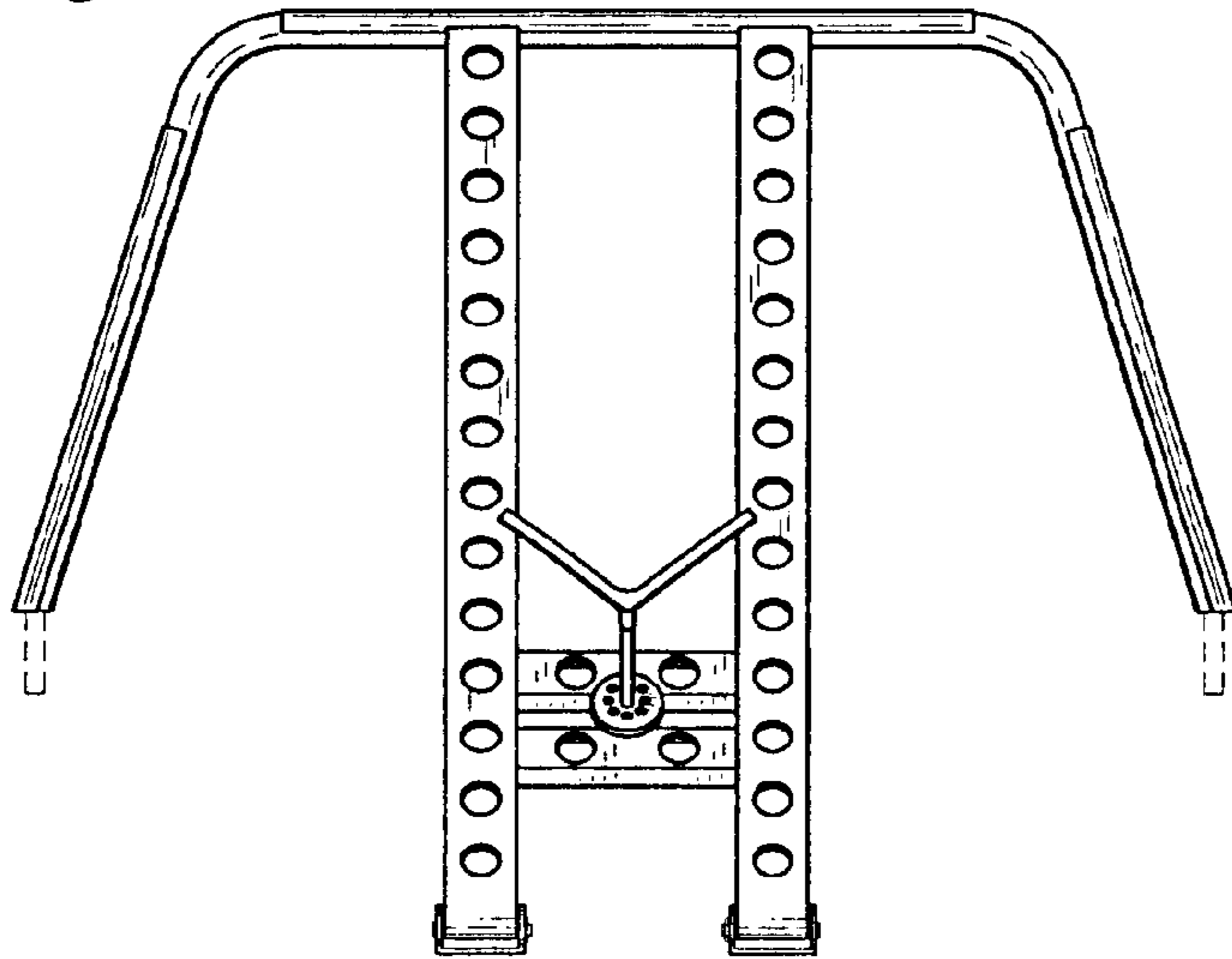
*Fig. 1*



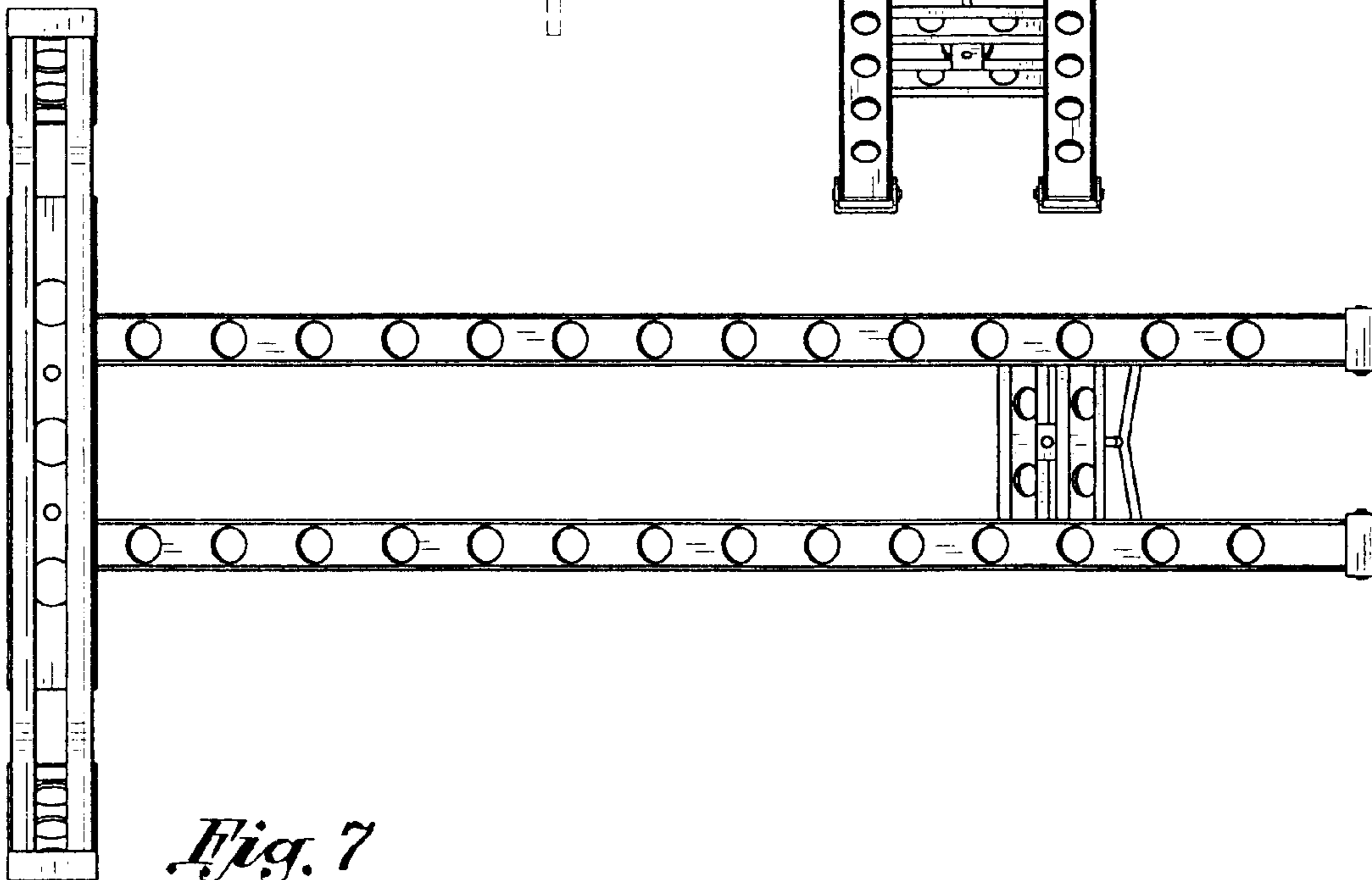
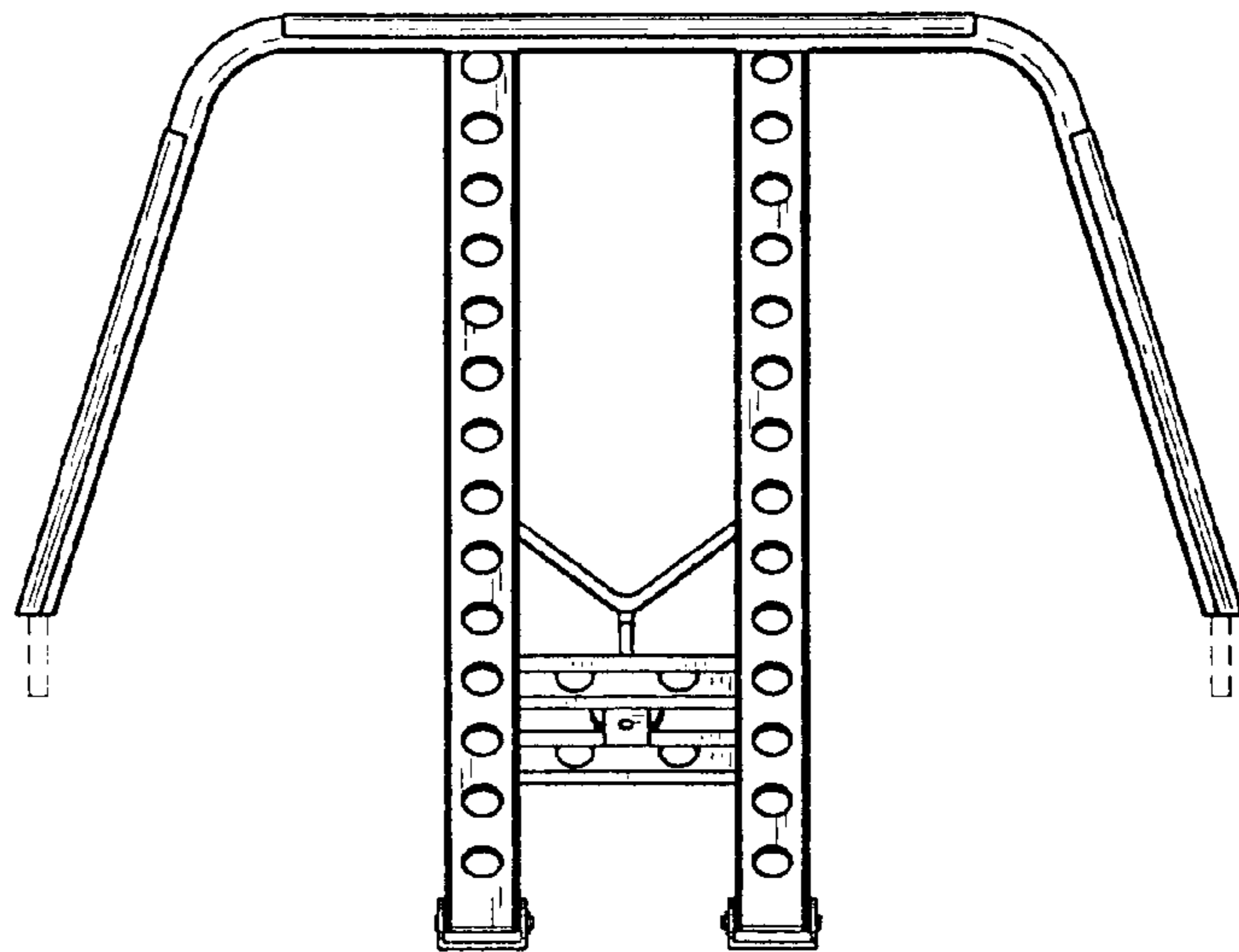
*Fig. 2*



*Fig. 5*



*Fig. 6*



*Fig. 7*