



US00D515494S

(12) **United States Design Patent**
Laengerer

(10) **Patent No.:** **US D515,494 S**
(45) **Date of Patent:** **** Feb. 21, 2006**

(54) **FRONT FACE OF A VEHICLE WHEEL**

(75) **Inventor:** **Marcus Laengerer, Renningen (DE)**

(73) **Assignee:** **DaimlerChrysler AG, Stuttgart (DE)**

(**) **Term:** **14 Years**

(21) **Appl. No.:** **29/227,043**

(22) **Filed:** **Apr. 6, 2005**

(30) **Foreign Application Priority Data**

Oct. 27, 2004 (DE) 40406112

(51) **LOC (8) Cl.** **12-16**

(52) **U.S. Cl.** **D12/211**

(58) **Field of Classification Search** D12/204-213;
301/37.101, 64.101, 65

See application file for complete search history.

(56) **References Cited**

U.S. PATENT DOCUMENTS

- D471,852 S * 3/2003 Pfeiffer et al. D12/211
- D474,440 S * 5/2003 Oh D12/211
- D479,177 S * 9/2003 Nordmann D12/211
- D484,446 S * 12/2003 Pfeiffer et al. D12/211
- D496,899 S * 10/2004 Kaucher D12/211

- D500,003 S * 12/2004 Guevara D12/211
- D505,371 S * 5/2005 Hueller D12/209
- D506,172 S * 6/2005 Pfeiffer D12/211
- D507,775 S * 7/2005 Pfeiffer D12/211
- D508,006 S * 8/2005 Laengerer D12/209

* cited by examiner

Primary Examiner—Stacia Cadmus

(74) *Attorney, Agent, or Firm*—Crowell & Moring LLP

(57) **CLAIM**

The ornamental design for a front face of a vehicle wheel, as shown and described.

DESCRIPTION

FIG. 1 is a front view of a first embodiment of a front face of a vehicle wheel according to my novel design;

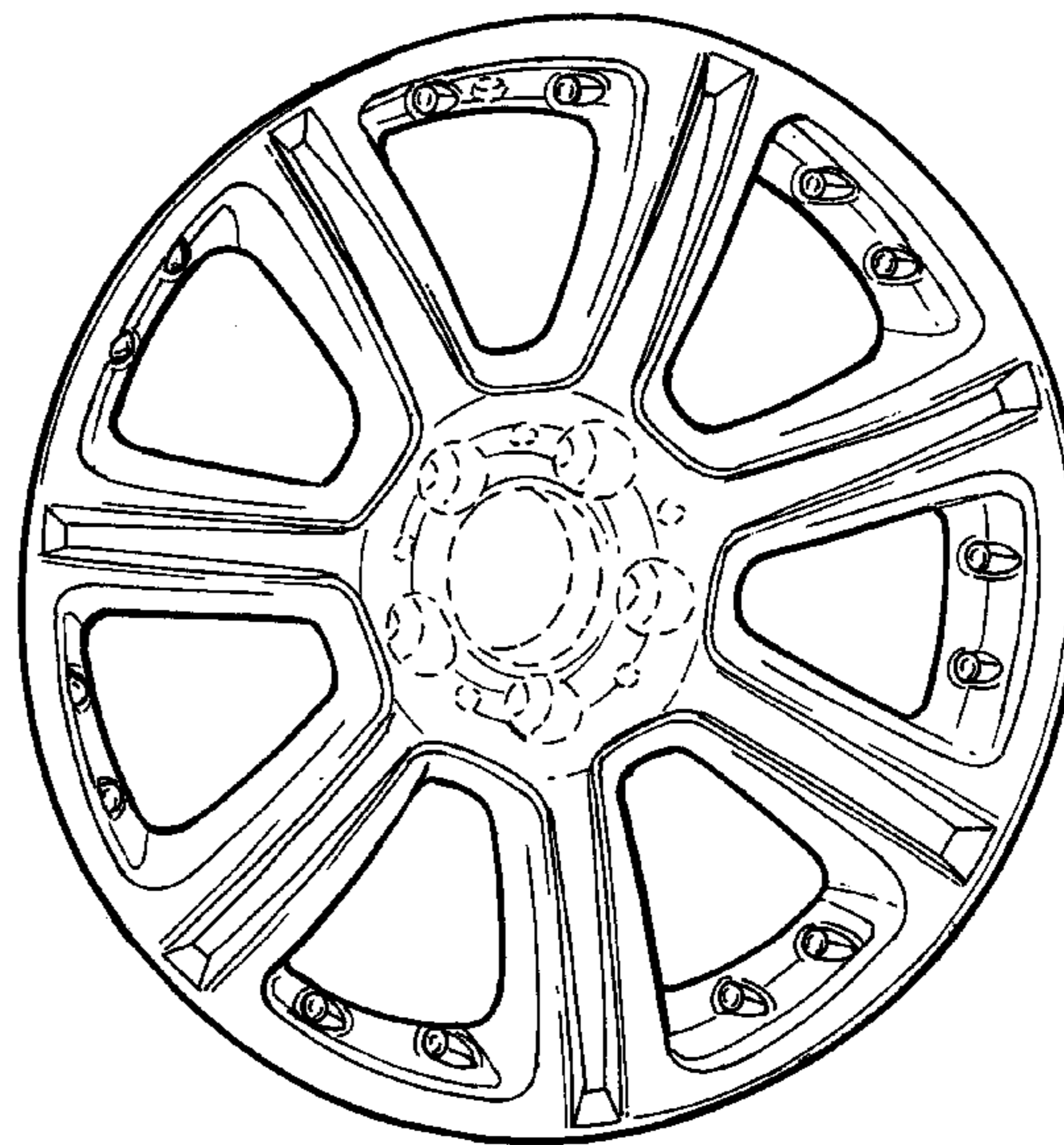
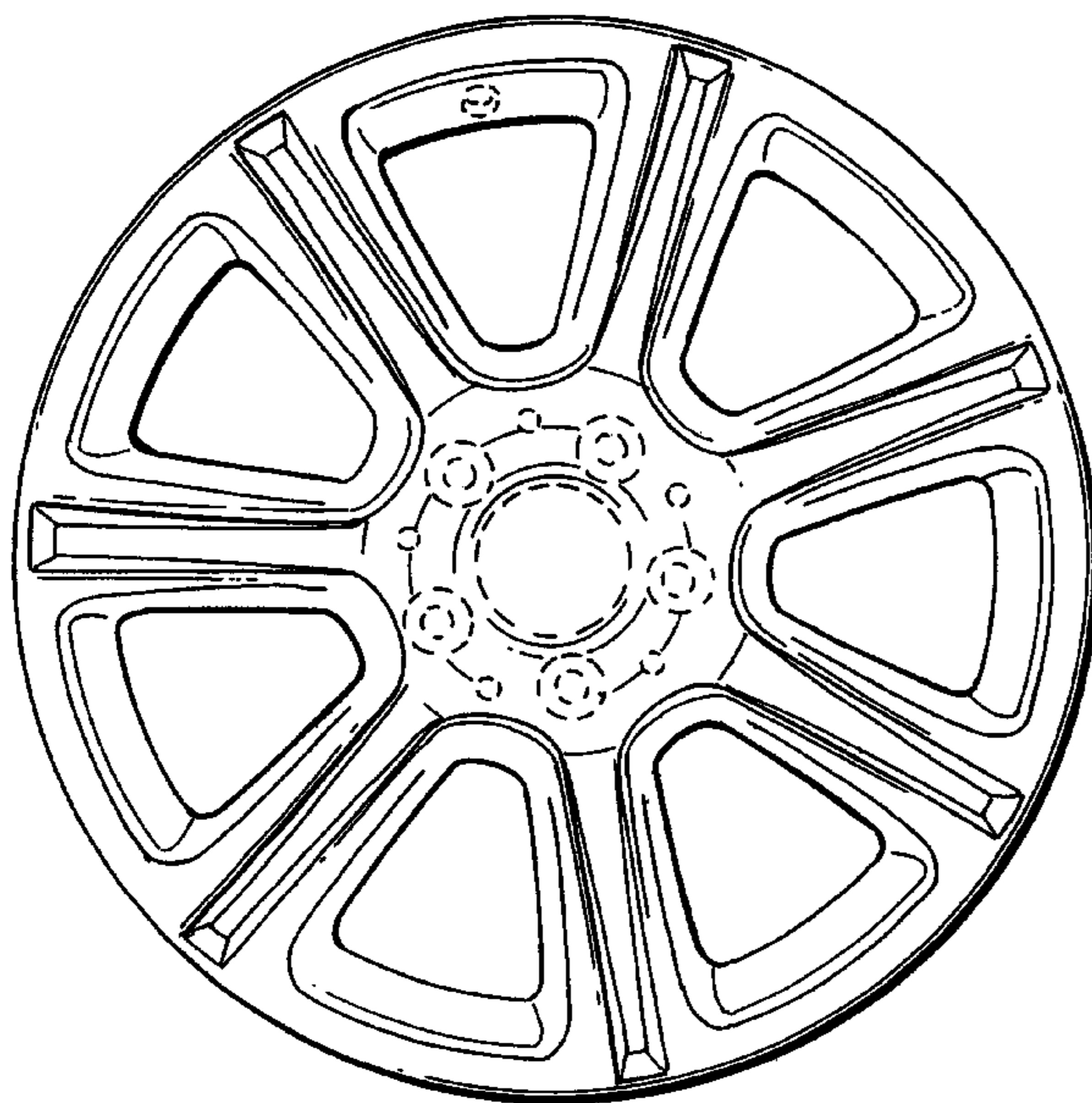
FIG. 2 is a perspective view of the first embodiment of the front face of a vehicle wheel according to my novel design;

FIG. 3 is a front view of a second embodiment of the front face of a vehicle wheel according to my novel design; and,

FIG. 4 is a perspective view of the second embodiment of the front face of a vehicle wheel according to my novel design.

The broken lines are for illustrative purposes only and form no part of the claimed design.

1 Claim, 2 Drawing Sheets



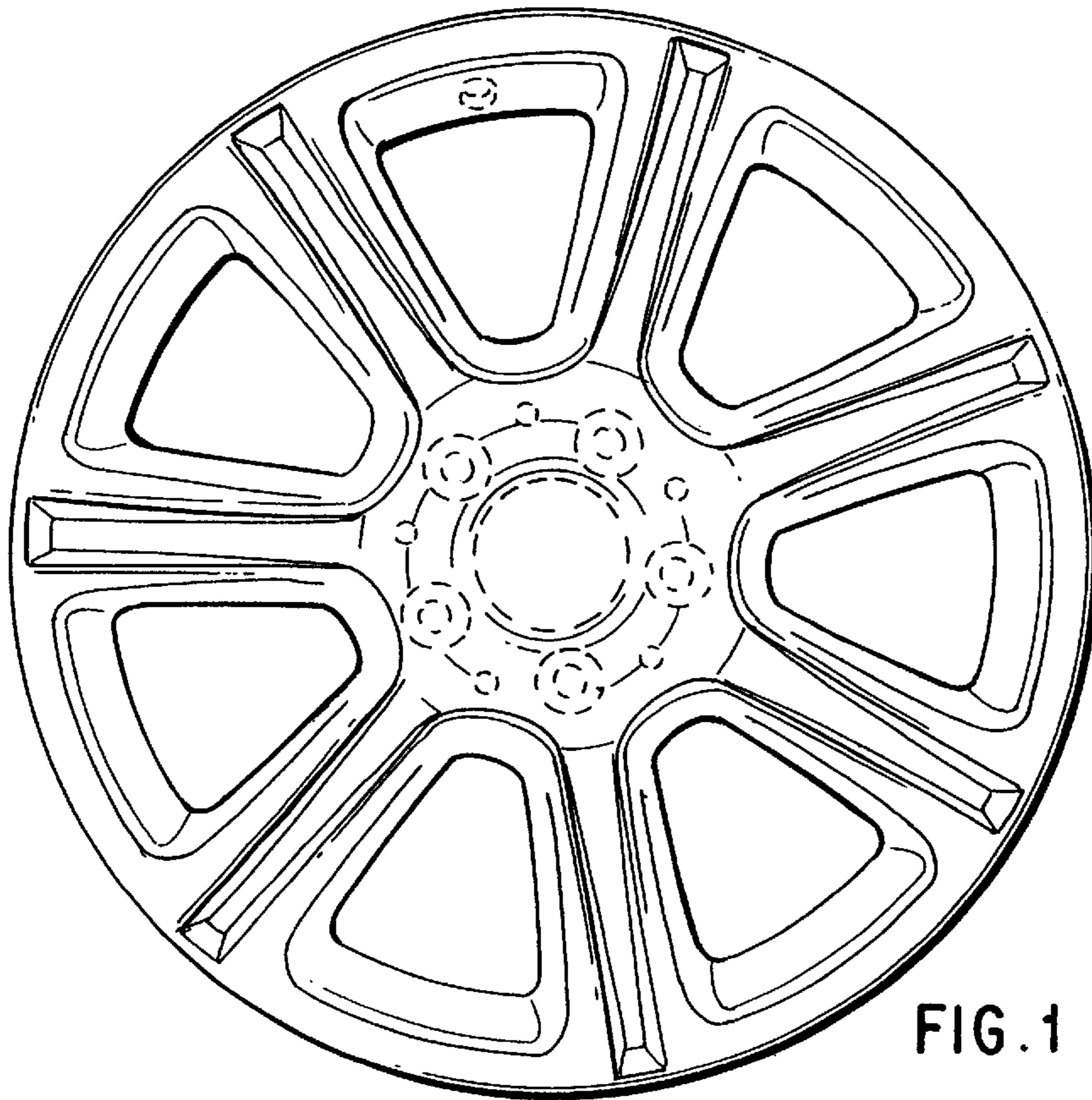


FIG. 1

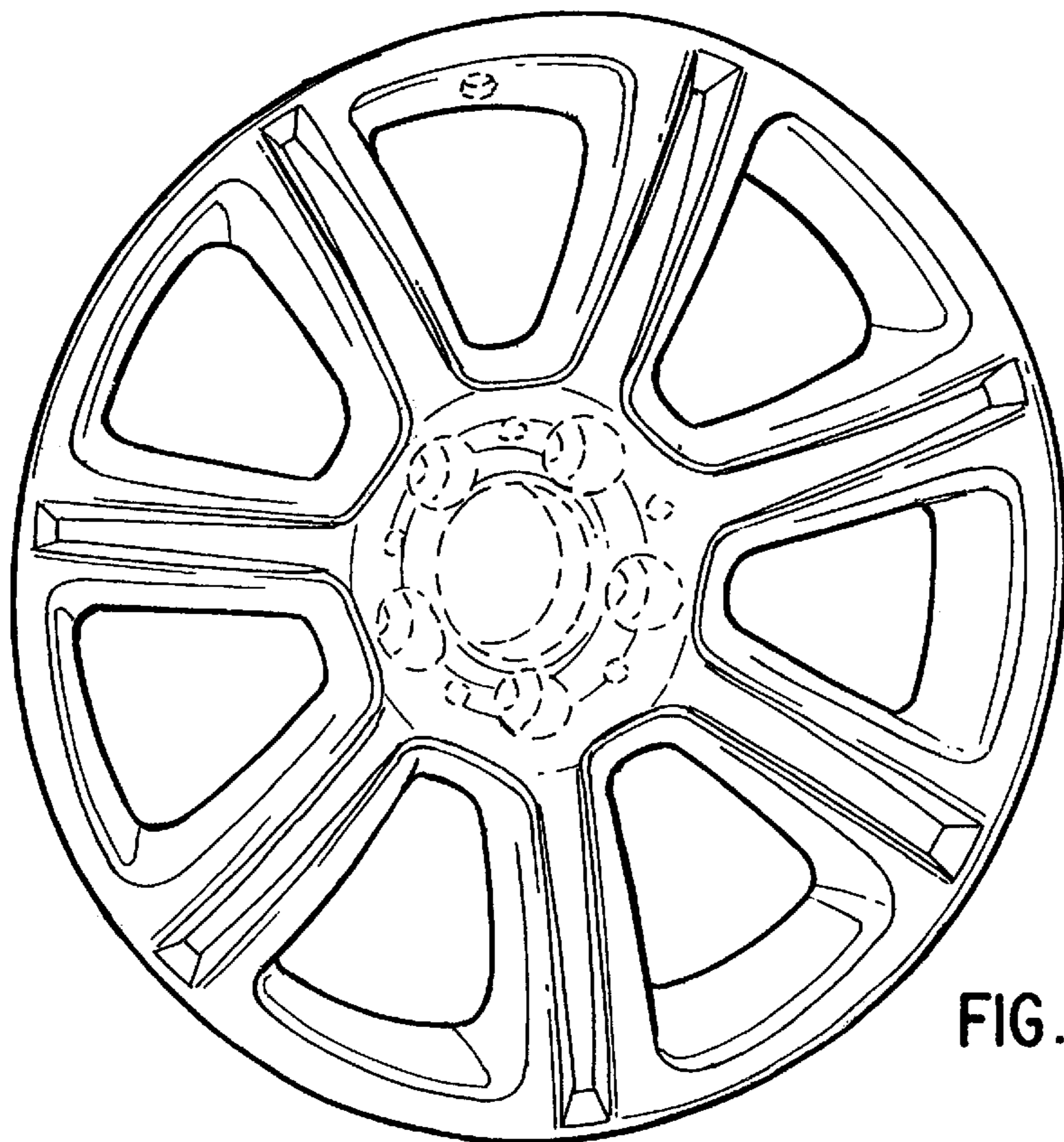


FIG. 2

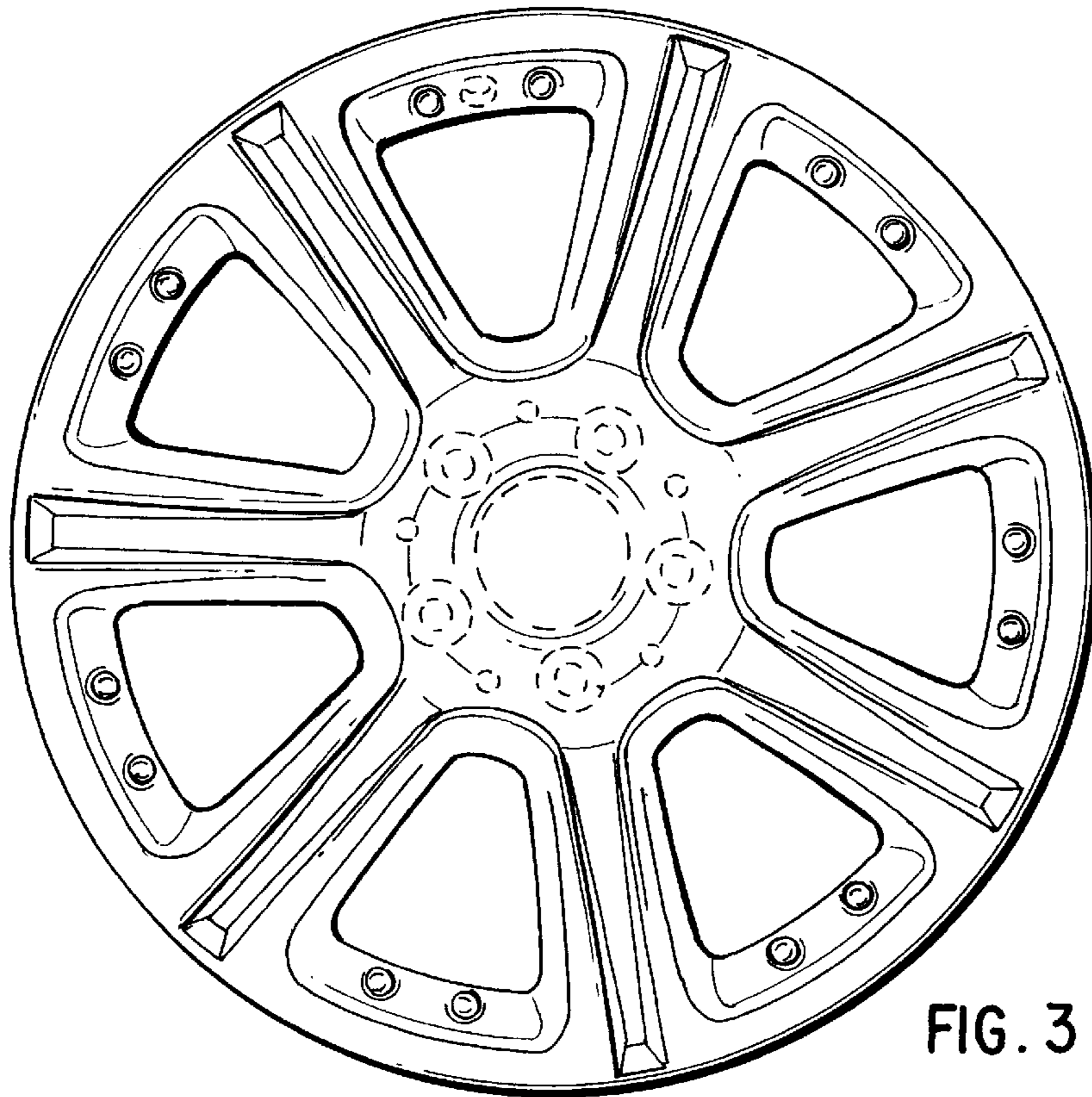


FIG. 3

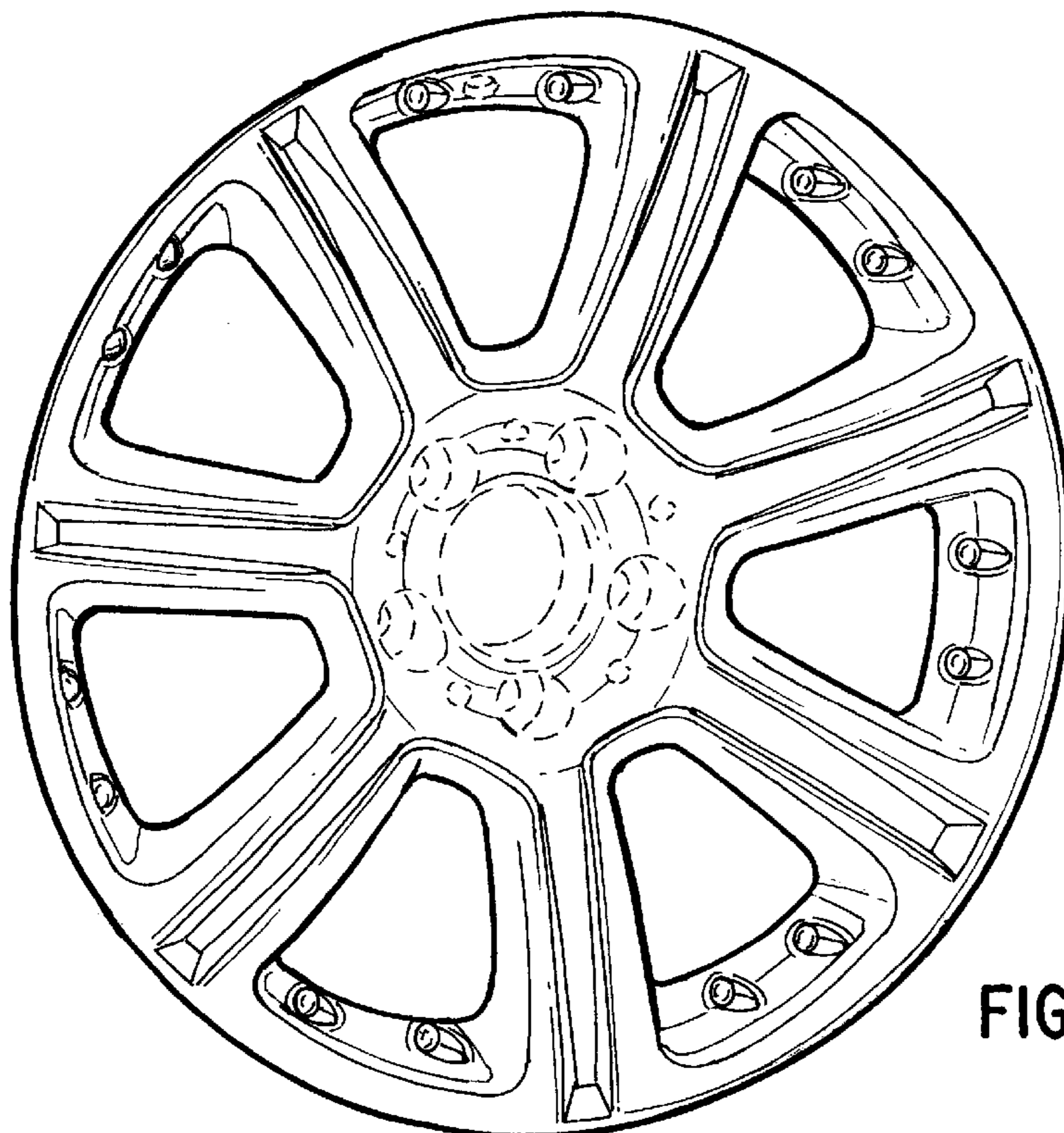


FIG. 4