



US00D515493S

(12) **United States Design Patent**
Schaefers

(10) **Patent No.:** **US D515,493 S**
(45) **Date of Patent:** **** Feb. 21, 2006**

- (54) **FRONT FACE OF A VEHICLE WHEEL**
- (75) Inventor: **Hendrik Schaefers, Overrath (DE)**
- (73) Assignee: **Bayerische Motoren Werke
Aktiengesellschaft, Munich (DE)**
- (**) Term: **14 Years**
- (21) Appl. No.: **29/224,579**
- (22) Filed: **Mar. 4, 2005**
- (30) **Foreign Application Priority Data**
Sep. 7, 2004 (DE) 40405166
- (51) **LOC (8) Cl.** **12-16**
- (52) **U.S. Cl.** **D12/211**
- (58) **Field of Classification Search** D12/204-213;
301/37.101, 64.101, 65
See application file for complete search history.

- D471,504 S * 3/2003 Laengerer D12/211
- D477,557 S * 7/2003 Iacovelli et al. D12/211
- D500,005 S * 12/2004 van Hooydonk D12/211
- D501,815 S * 2/2005 Weld D12/209
- D505,903 S * 6/2005 Nordmann D12/209

FOREIGN PATENT DOCUMENTS

EP 000106513-0002 12/2004

* cited by examiner

Primary Examiner—Stacia Cadmus

(74) *Attorney, Agent, or Firm*—Crowell & Moring LLP

(56) **References Cited**

U.S. PATENT DOCUMENTS

- D415,094 S * 10/1999 Neeper D12/211
- D421,953 S * 3/2000 Sims et al. D12/211
- D432,481 S * 10/2000 Brown D12/209
- D447,107 S * 8/2001 Kuribayashi D12/211

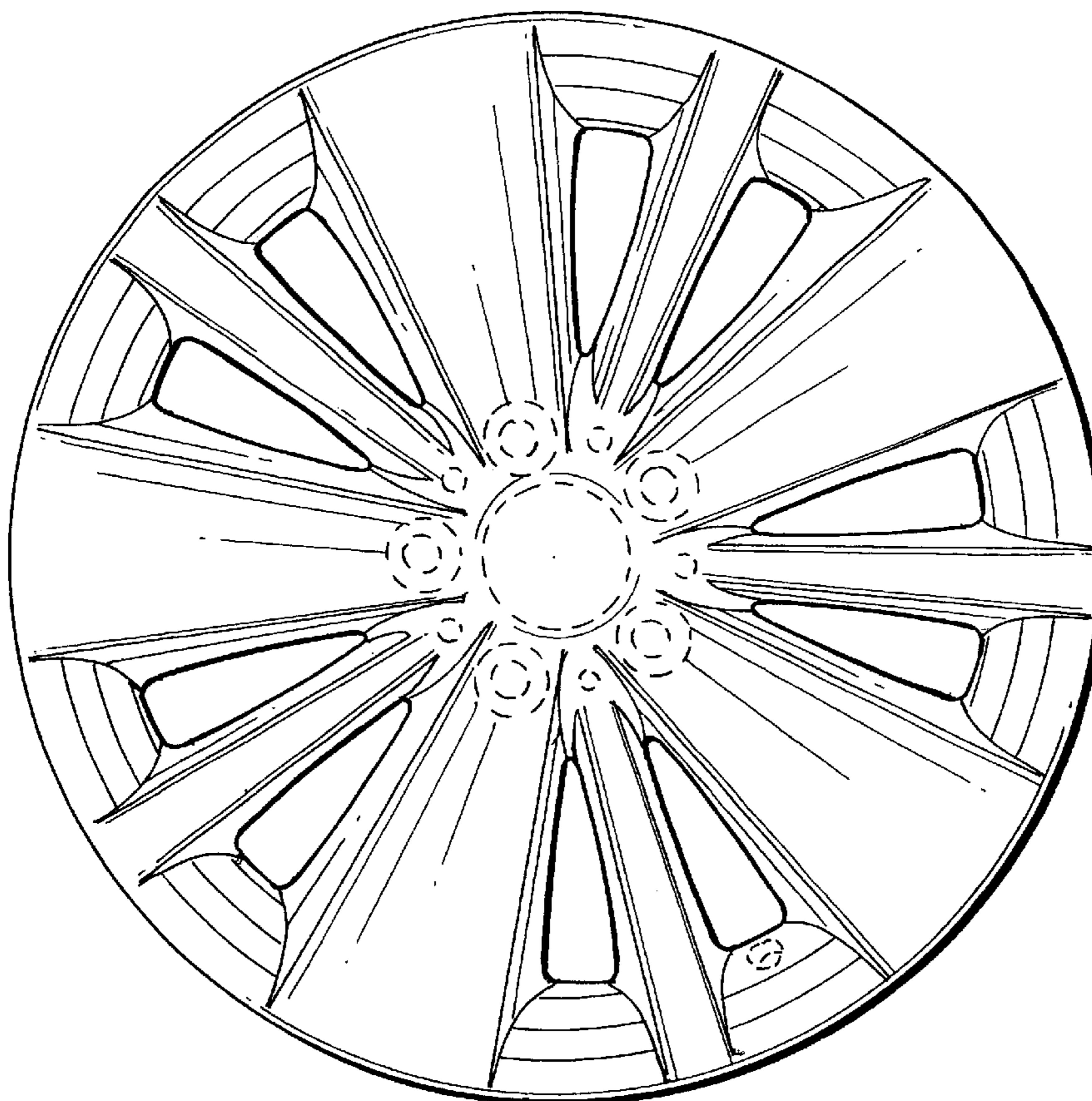
(57) **CLAIM**

The ornamental design for a front face of a vehicle wheel, as shown and described.

DESCRIPTION

FIG. 1 is a front view of a front face of a vehicle wheel according to my novel design; and, FIG. 2 is a perspective view of the front face of a vehicle wheel according to my novel design. The broken lines are for illustrative purposes only and form no part of the claimed design.

1 Claim, 1 Drawing Sheet



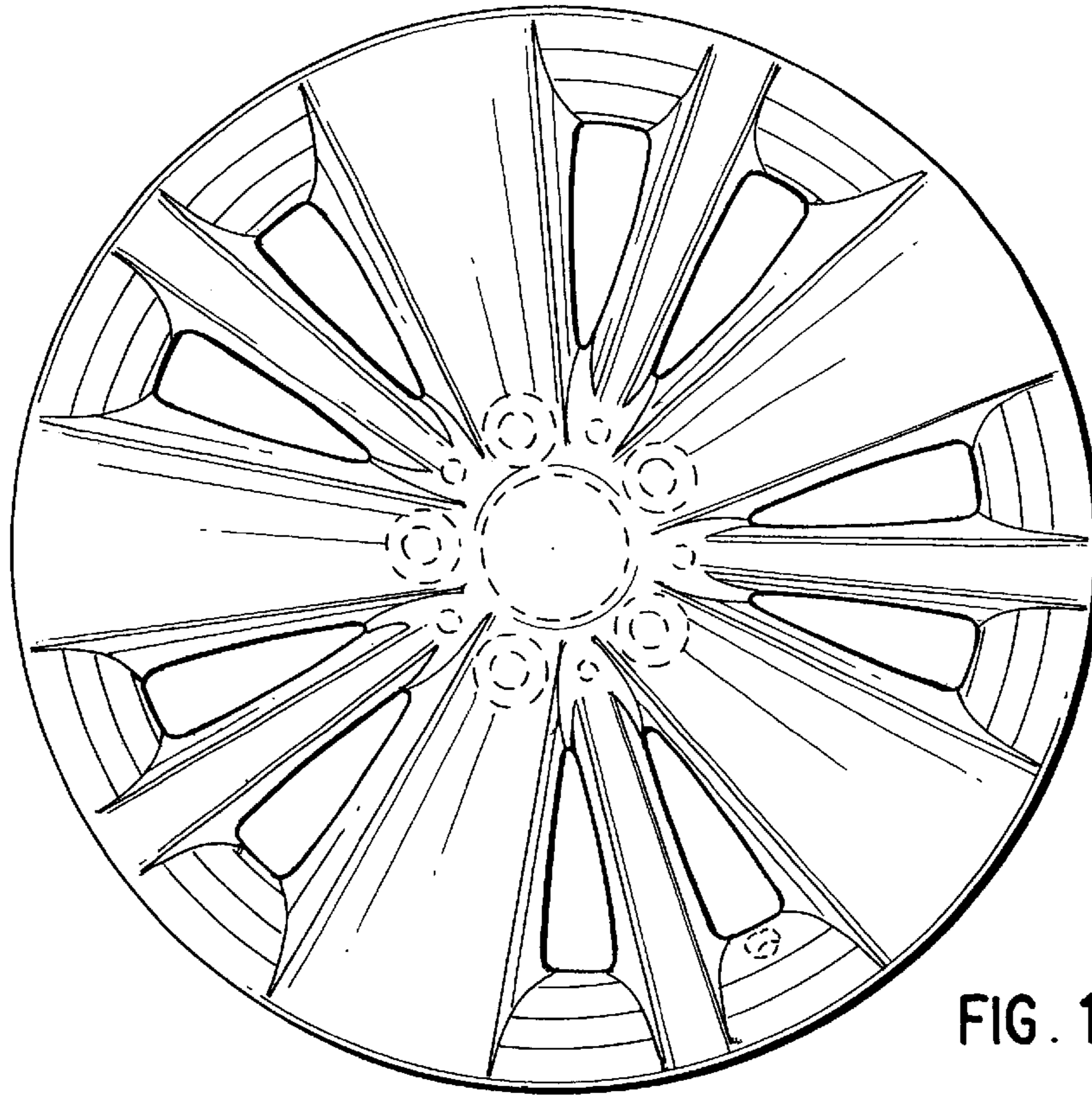


FIG. 1

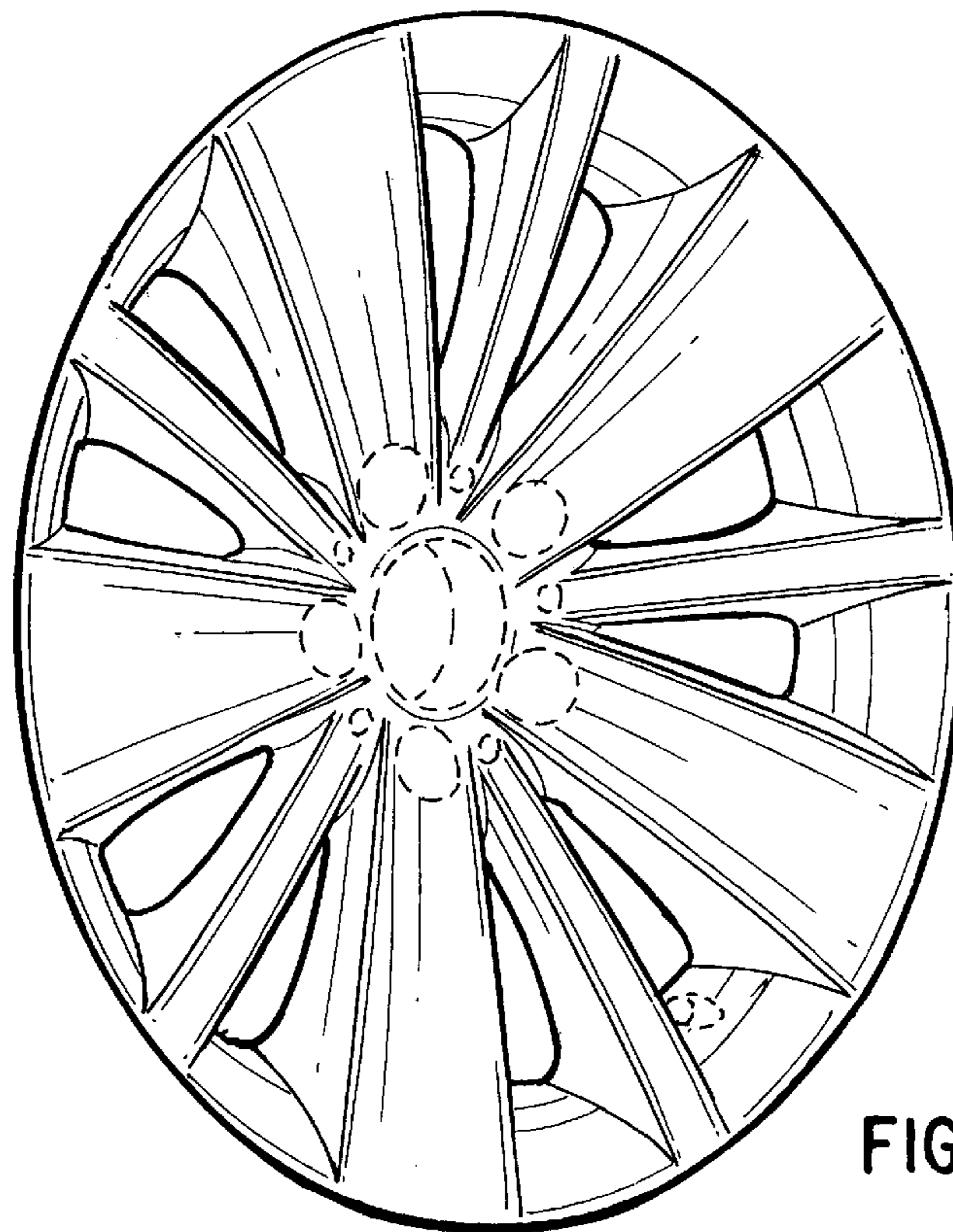


FIG. 2