



US00D515492S

(12) **United States Design Patent**
Fitzgerald

(10) **Patent No.: US D515,492 S**

(45) **Date of Patent: ** Feb. 21, 2006**

(54) **MOTOR VEHICLE WHEEL FRONT FACE**

(75) **Inventor: Kevin Fitzgerald, Long Beach, CA (US)**

(73) **Assignee: KMC Products, Inc., Rancho Dominguez, CA (US)**

(**) **Term: 14 Years**

(21) **Appl. No.: 29/210,260**

(22) **Filed: Jul. 28, 2004**

(51) **LOC (8) Cl. 12-16**

(52) **U.S. Cl. D12/211**

(58) **Field of Classification Search D12/204-213; 301/37.101, 64.101, 65**
See application file for complete search history.

(56) **References Cited**

U.S. PATENT DOCUMENTS

- D361,976 S * 9/1995 Echazabal et al. D12/211
- D418,798 S * 1/2000 Muzzarelli et al. D12/211
- D441,709 S * 5/2001 Vian D12/211

- D460,941 S * 7/2002 Muzzarelli D12/211
- D466,068 S * 11/2002 Maifrini D12/211
- D473,837 S * 4/2003 Vian D12/211
- D486,116 S * 2/2004 Maifrini D12/211
- D492,238 S * 6/2004 Bernoni D12/211
- D505,905 S * 6/2005 Walbey, Jr. D12/209

* cited by examiner

Primary Examiner—Stacia Cadmus

(74) *Attorney, Agent, or Firm*—Dykema Gossett PLLC

(57) **CLAIM**

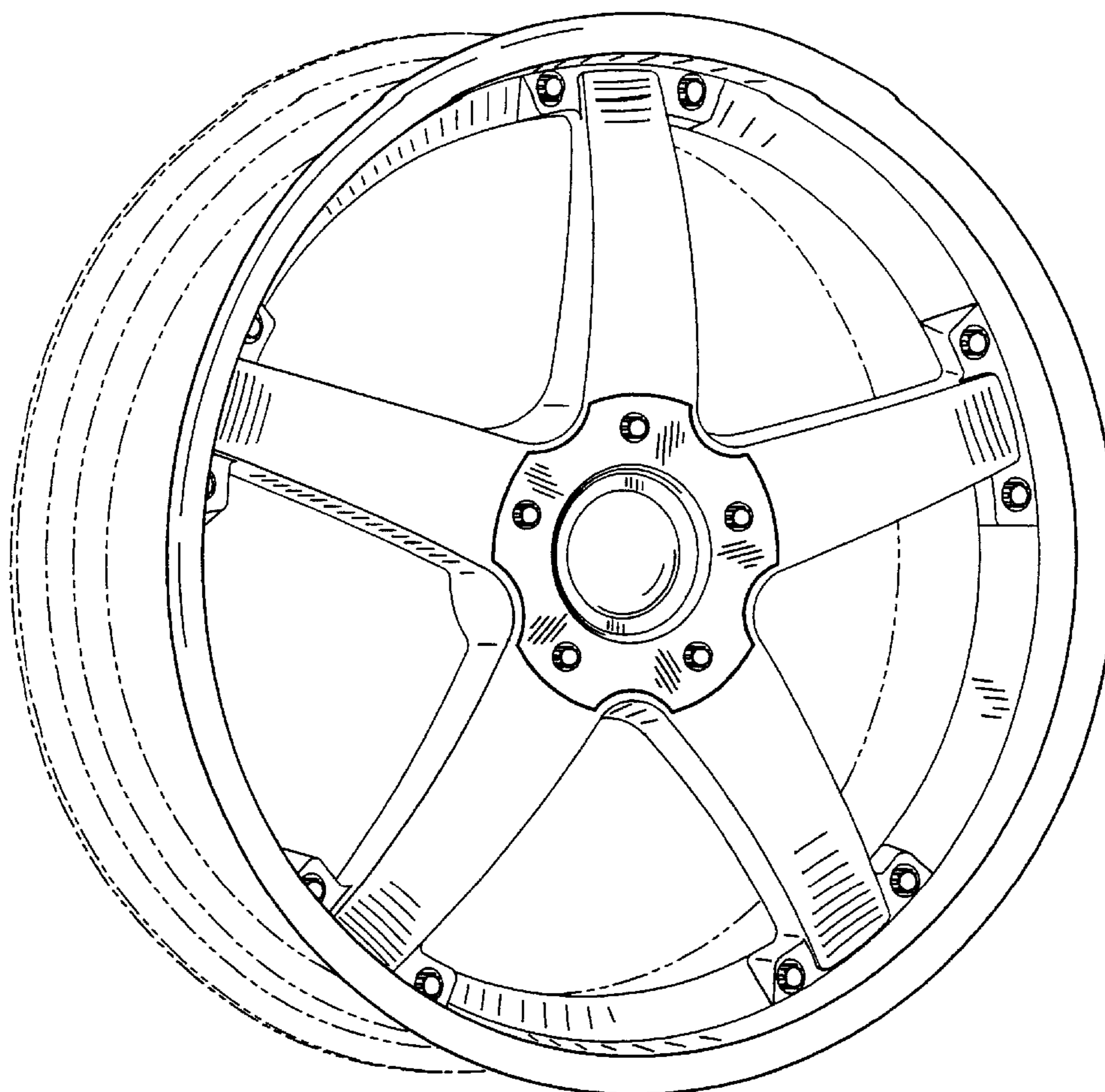
The ornamental design for a motor vehicle wheel front face, as shown and described.

DESCRIPTION

FIG. 1 is a front perspective view of a motor vehicle wheel front face showing my new design; and, FIG. 2 is a front elevational view of the motor vehicle wheel front face shown in FIG. 1.

The phantom line showing of environment is for illustrative purposes only and forms no part of the claimed design.

1 Claim, 2 Drawing Sheets



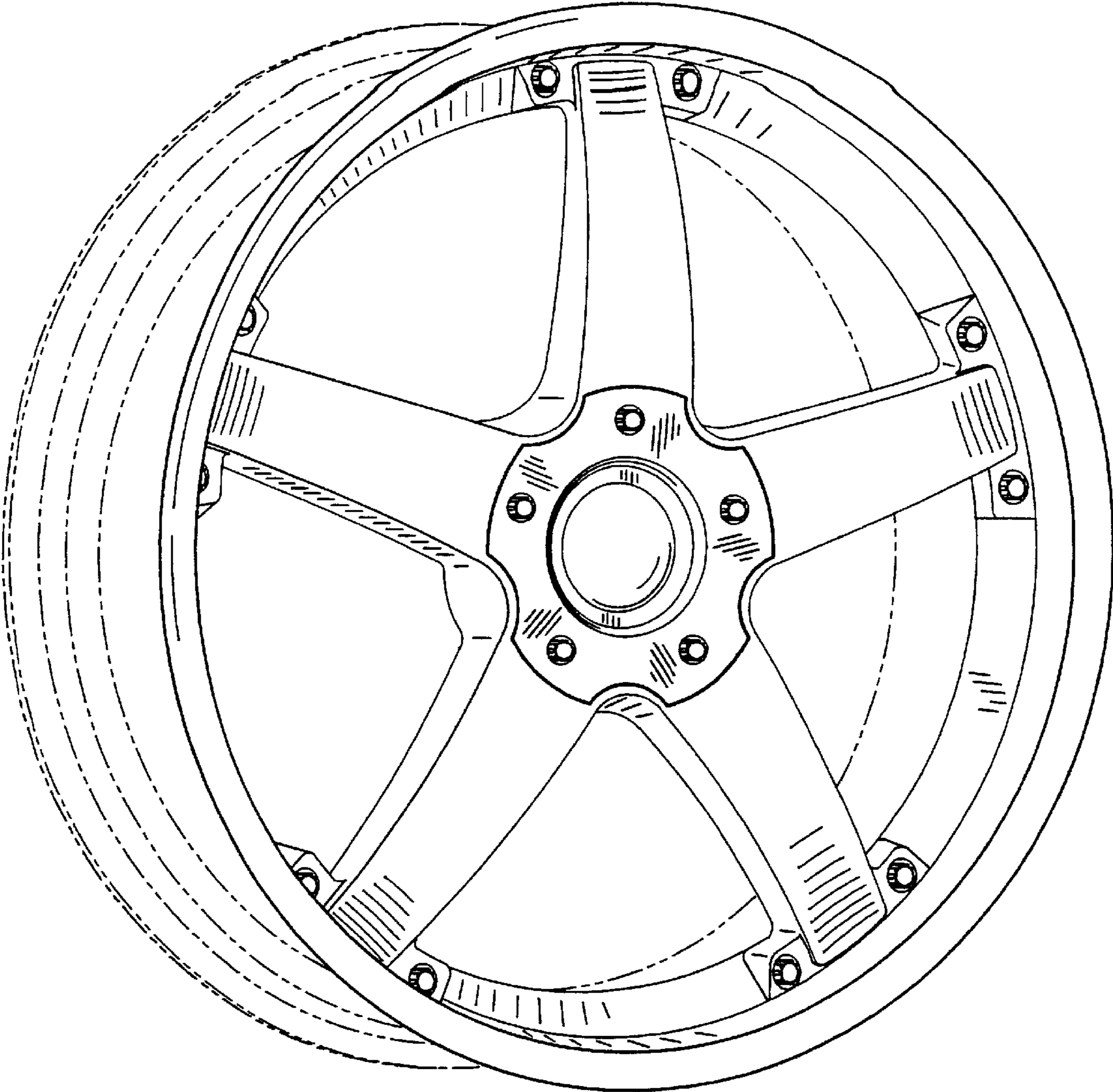


FIG. 1

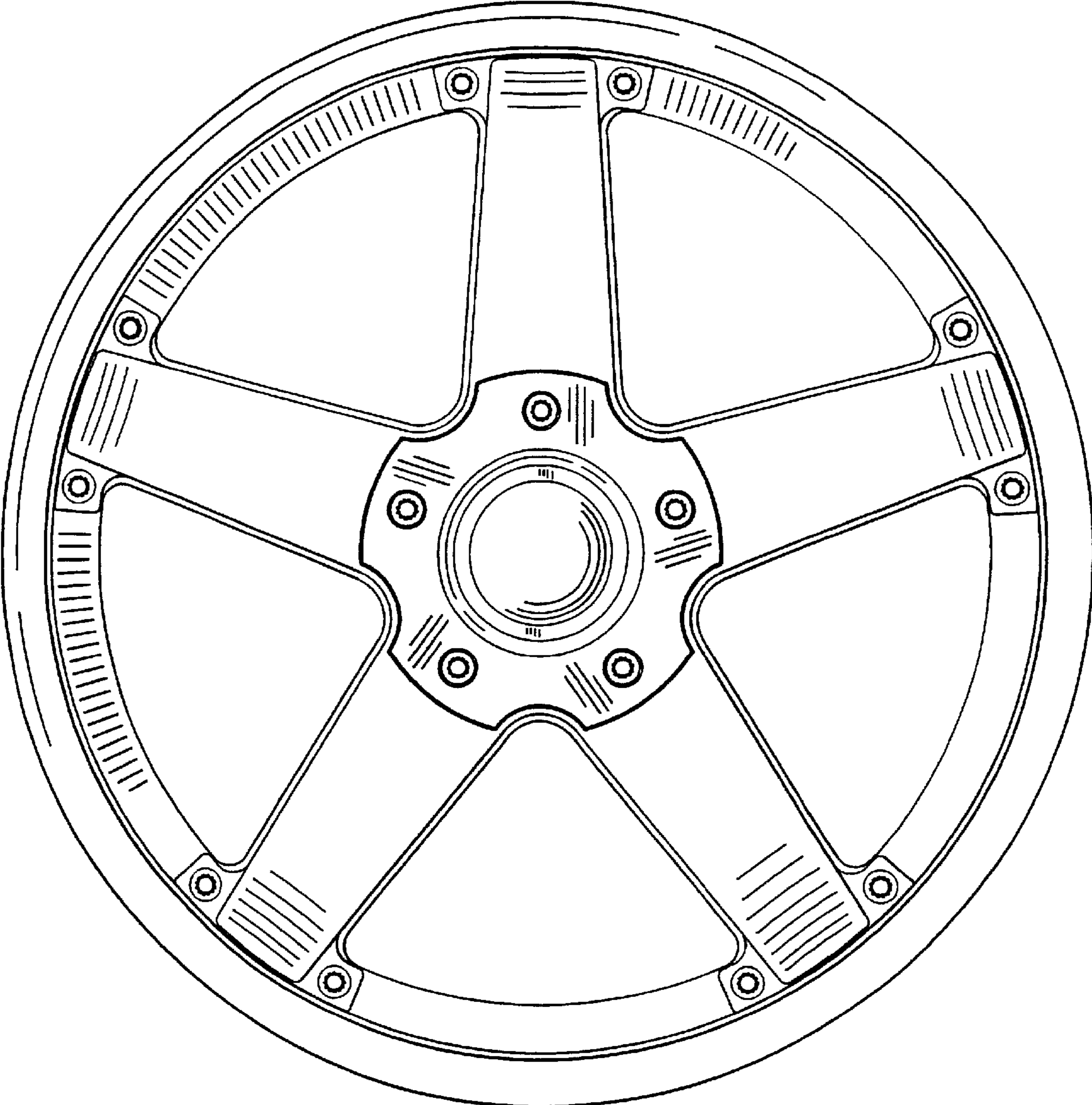


FIG. 2