



US00D515491S

(12) **United States Design Patent**  
**Elmitt**

(10) **Patent No.:** **US D515,491 S**  
(45) **Date of Patent:** **\*\* Feb. 21, 2006**

(54) **FRONT FACE OF A VEHICLE WHEEL**

(75) **Inventor:** **Karl John Elmitt, Eching (DE)**

(73) **Assignee:** **Bayerische Motoren Werke  
Aktiengesellschaft, Munich (DE)**

(\*\*) **Term:** **14 Years**

(21) **Appl. No.:** **29/224,578**

(22) **Filed:** **Mar. 4, 2005**

(30) **Foreign Application Priority Data**

Sep. 7, 2004 (DE) ..... 4 04 05 166

(51) **LOC (8) Cl.** ..... **12-16**

(52) **U.S. Cl.** ..... **D12/209**

(58) **Field of Classification Search** ..... D12/204-213;  
301/37.101, 64.101, 65

See application file for complete search history.

(56) **References Cited**

**U.S. PATENT DOCUMENTS**

D416,532 S \* 11/1999 Cullen ..... D12/209  
D421,417 S \* 3/2000 Weidhase ..... D12/209  
D432,973 S \* 10/2000 Fitzgerald ..... D12/209

D433,659 S \* 11/2000 Frizzi ..... D12/211  
D460,940 S \* 7/2002 Chung ..... D12/209  
D463,349 S \* 9/2002 Vian ..... D12/209  
D466,853 S \* 12/2002 Maifrini ..... D12/211  
D472,866 S \* 4/2003 Pfeiffer et al. .... D12/211  
D486,770 S \* 2/2004 Pollmann ..... D12/209  
D489,309 S \* 5/2004 Laengerer ..... D12/211  
D500,277 S \* 12/2004 Kataoka ..... D12/209  
D503,669 S \* 4/2005 Bhambra ..... D12/211

\* cited by examiner

*Primary Examiner*—Stacia Cadmus

(74) *Attorney, Agent, or Firm*—Crowell & Moring LLP

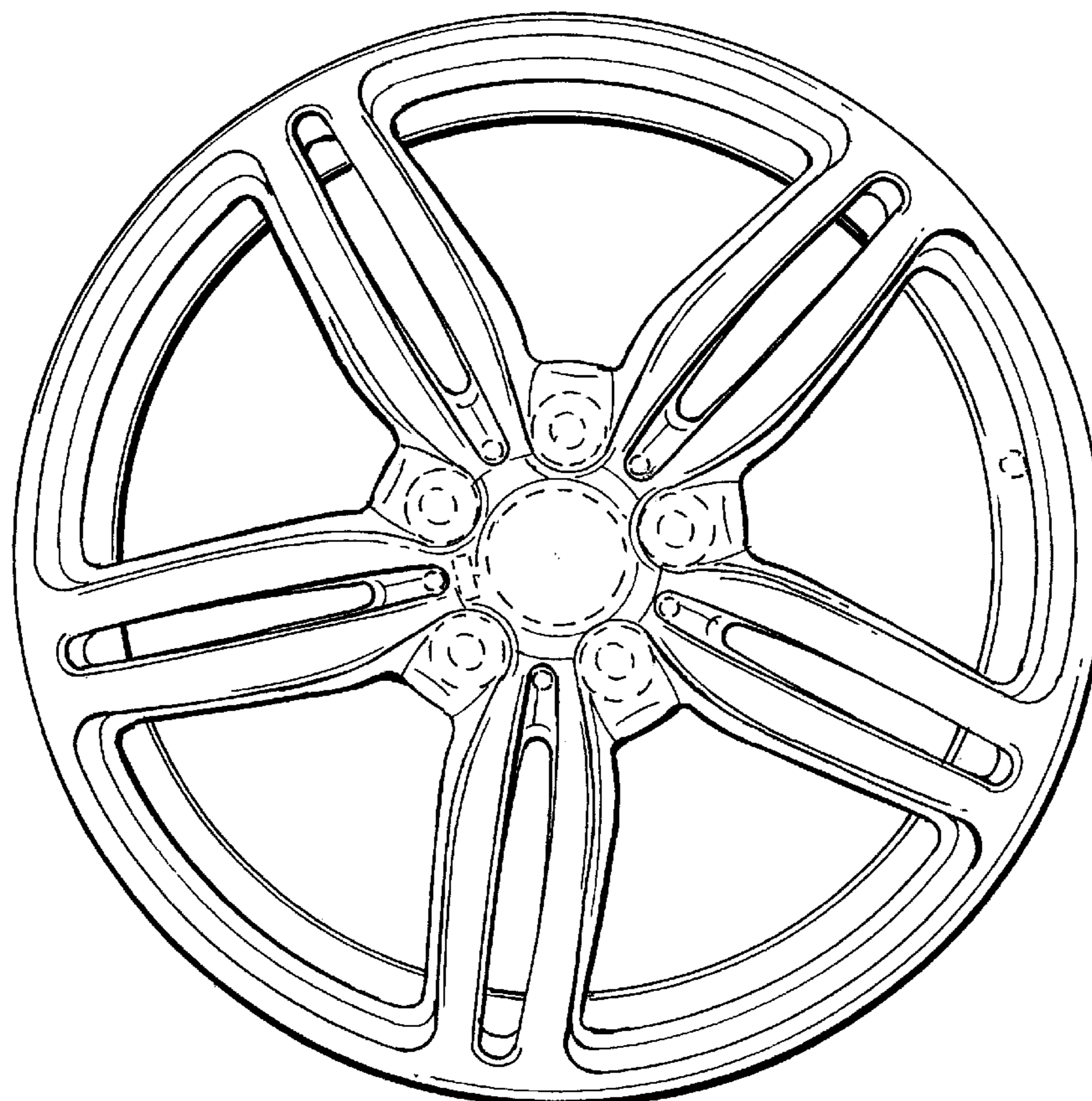
(57) **CLAIM**

The ornamental design for a front face of a vehicle wheel, as shown and described.

**DESCRIPTION**

FIG. 1 is a front view of a front face of a vehicle wheel according to my novel design; and, FIG. 2 is a perspective view of the front face of a vehicle wheel according to my novel design. The broken lines are for illustrative purposes only and form no part of the claimed design.

**1 Claim, 1 Drawing Sheet**



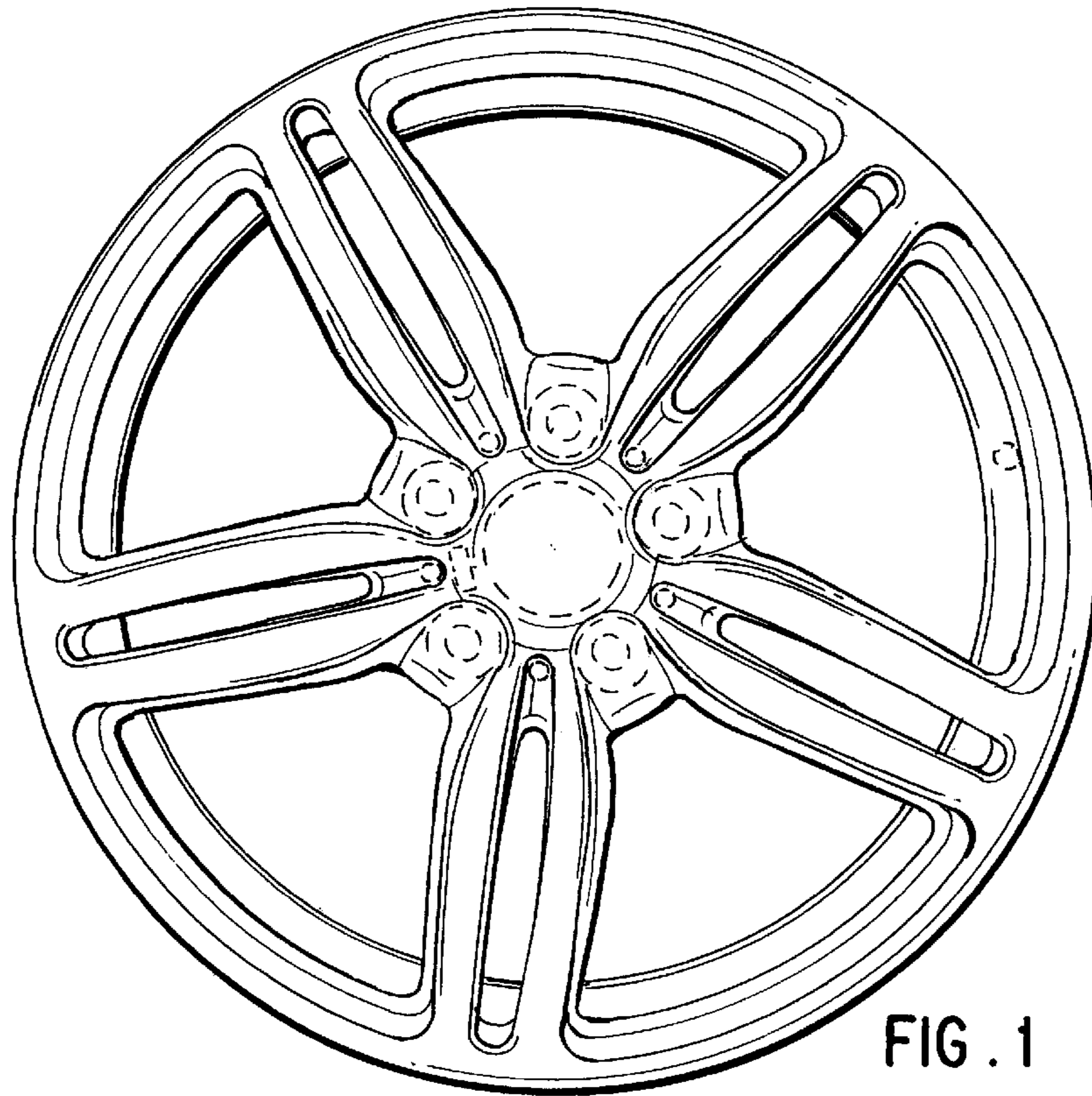


FIG . 1

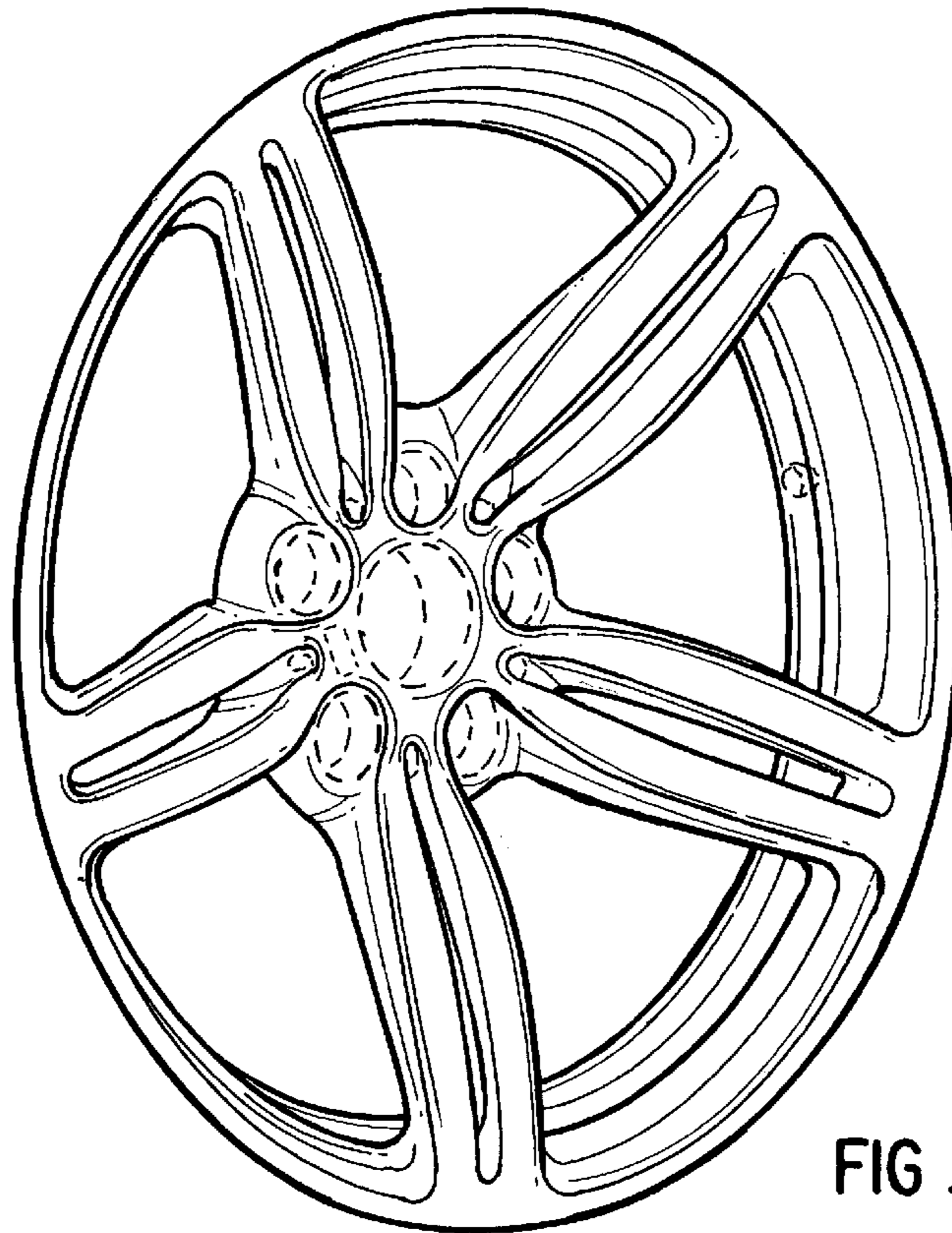


FIG . 2