



US00D515490S

(12) **United States Design Patent**
Pfeiffer

(10) **Patent No.:** **US D515,490 S**

(45) **Date of Patent:** **** Feb. 21, 2006**

(54) **FRONT FACE OF A VEHICLE WHEEL**

(75) **Inventor:** **Peter Pfeiffer**, Boeblingen (DE)

(73) **Assignee:** **DaimlerChrysler AG**, Stuttgart (DE)

(**) **Term:** **14 Years**

(21) **Appl. No.:** **29/190,719**

(22) **Filed:** **Sep. 26, 2003**

(30) **Foreign Application Priority Data**

Mar. 26, 2003 (DE) 4 03 02 462

(51) **LOC (8) Cl.** **12-16**

(52) **U.S. Cl.** **D12/209**

(58) **Field of Classification Search** D12/204-213;
301/37.101, 64.101, 65

See application file for complete search history.

(56) **References Cited**

U.S. PATENT DOCUMENTS

D361,547 S	*	8/1995	Weld	D12/211
D368,885 S	*	4/1996	Wagner	D12/209
D379,612 S	*	6/1997	Honarkhah	D12/209
D407,364 S	*	3/1999	Fisker	D12/209
D407,680 S	*	4/1999	Bhambra	D12/209
D420,637 S	*	2/2000	Glade	D12/209
D422,258 S	*	4/2000	Hale, Jr.	D12/211
D426,184 S	*	6/2000	Goplen	D12/209
D449,028 S	*	10/2001	Weidhase	D12/209

D452,211 S	*	12/2001	Takechi	D12/209
D454,105 S	*	3/2002	Pfeiffer	D12/209
D467,213 S	*	12/2002	Pfeiffer et al.	D12/211
D467,855 S	*	12/2002	Laengerer	D12/209
D485,223 S	*	1/2004	Pfeiffer et al.	D12/209
D486,437 S	*	2/2004	Hieke	D12/211
D500,004 S	*	12/2004	Szavits	D12/211
D504,648 S	*	5/2005	Pfeiffer	D12/209
D507,517 S	*	7/2005	Kushartanto	D12/209

* cited by examiner

Primary Examiner—Stacia Cadmus

(74) *Attorney, Agent, or Firm*—Crowell & Moring LLP

(57) **CLAIM**

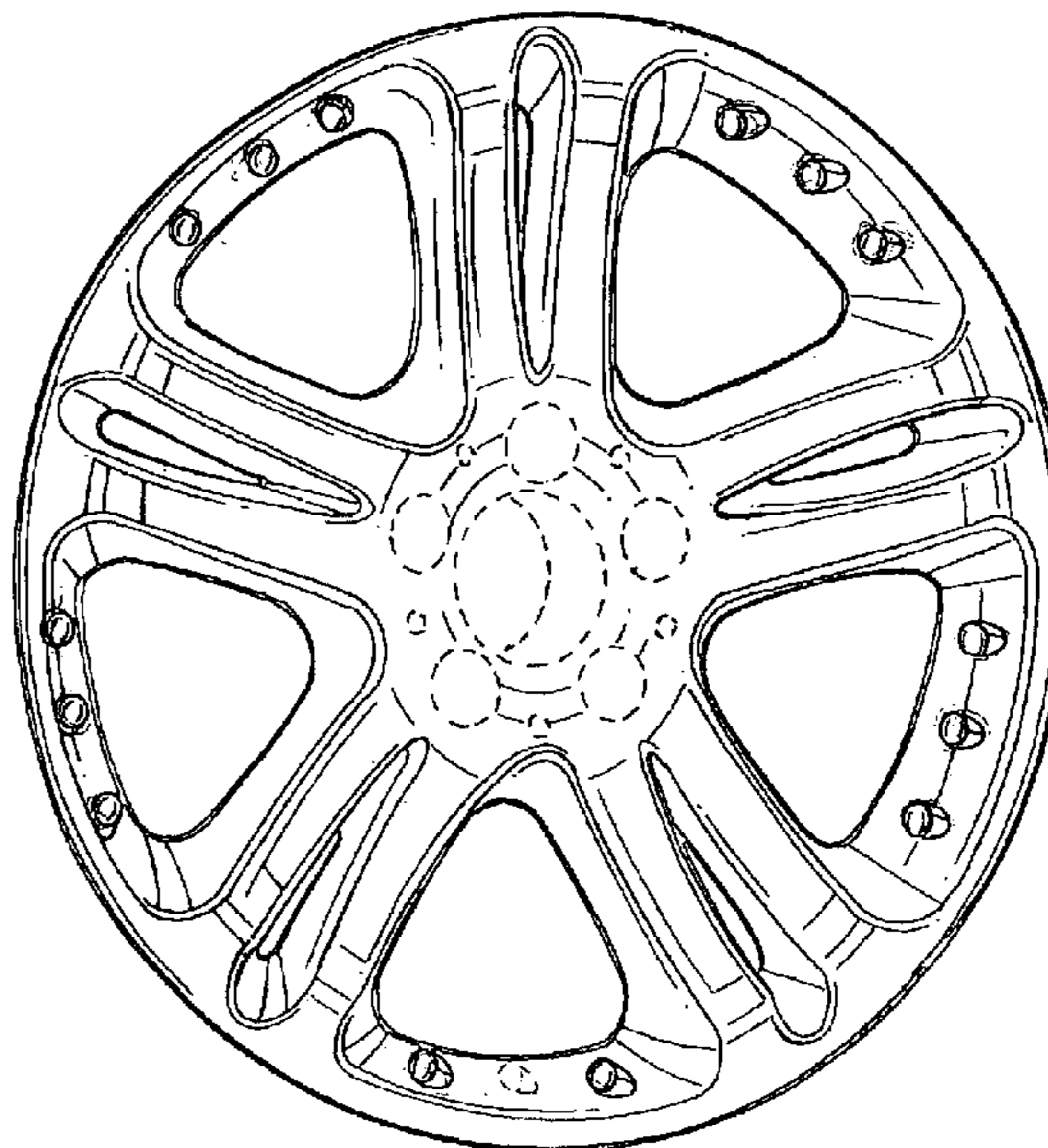
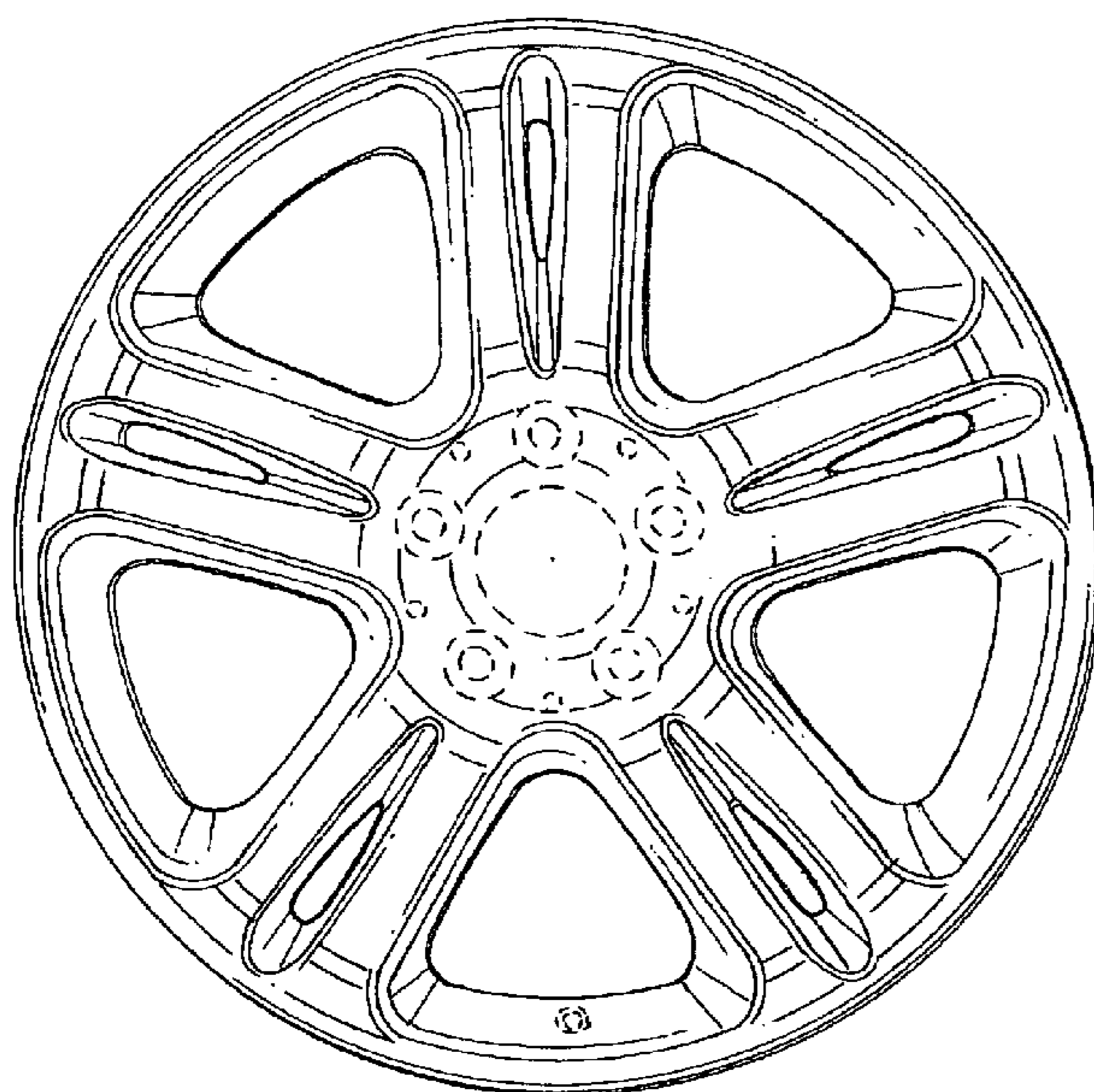
The ornamental design for a front face of a vehicle wheel, as shown and described.

DESCRIPTION

FIG. 1 is a front view of a first embodiment of a front face of a vehicle wheel according to my novel design; FIG. 2 is a perspective view of the first embodiment of the front face of a vehicle wheel according to my novel design; FIG. 3 is a front view of a second embodiment of the front face of a vehicle wheel according to my novel design; and, FIG. 4 is a perspective view of the second embodiment of the front face of a vehicle wheel according to my novel design.

The broken lines are for illustrative purposes only and form no part of the claimed design.

1 Claim, 2 Drawing Sheets



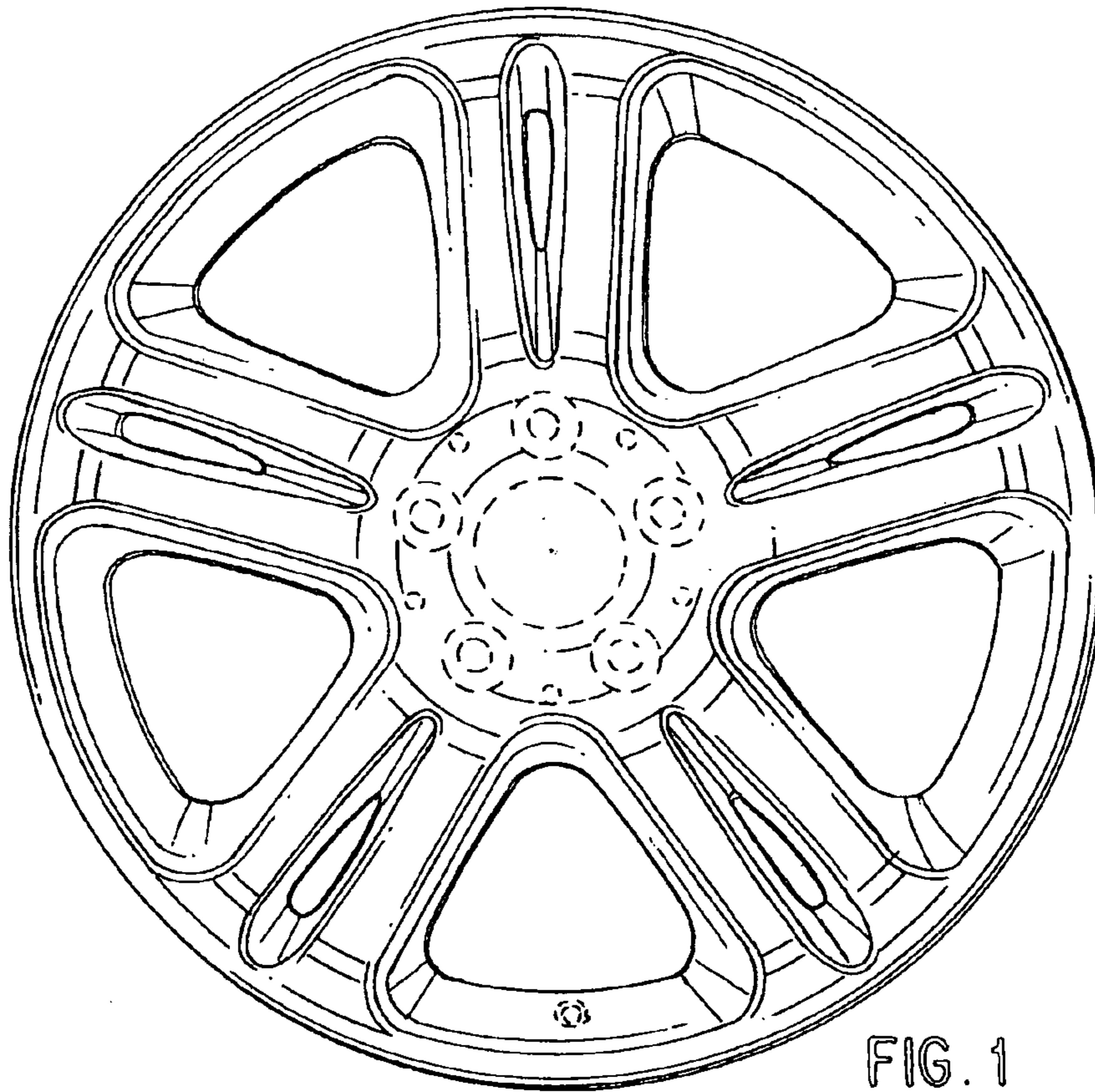


FIG. 1

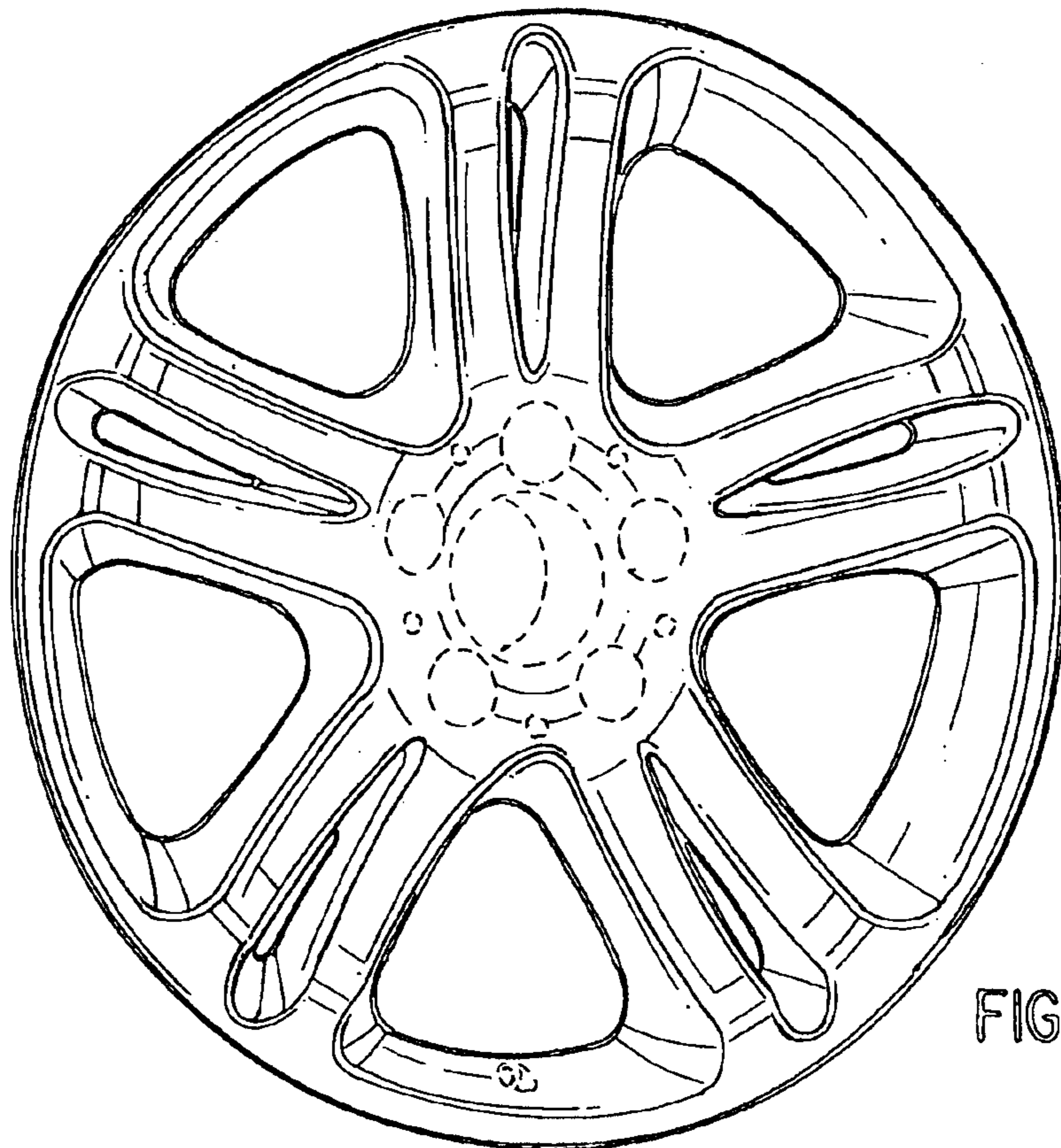


FIG. 2

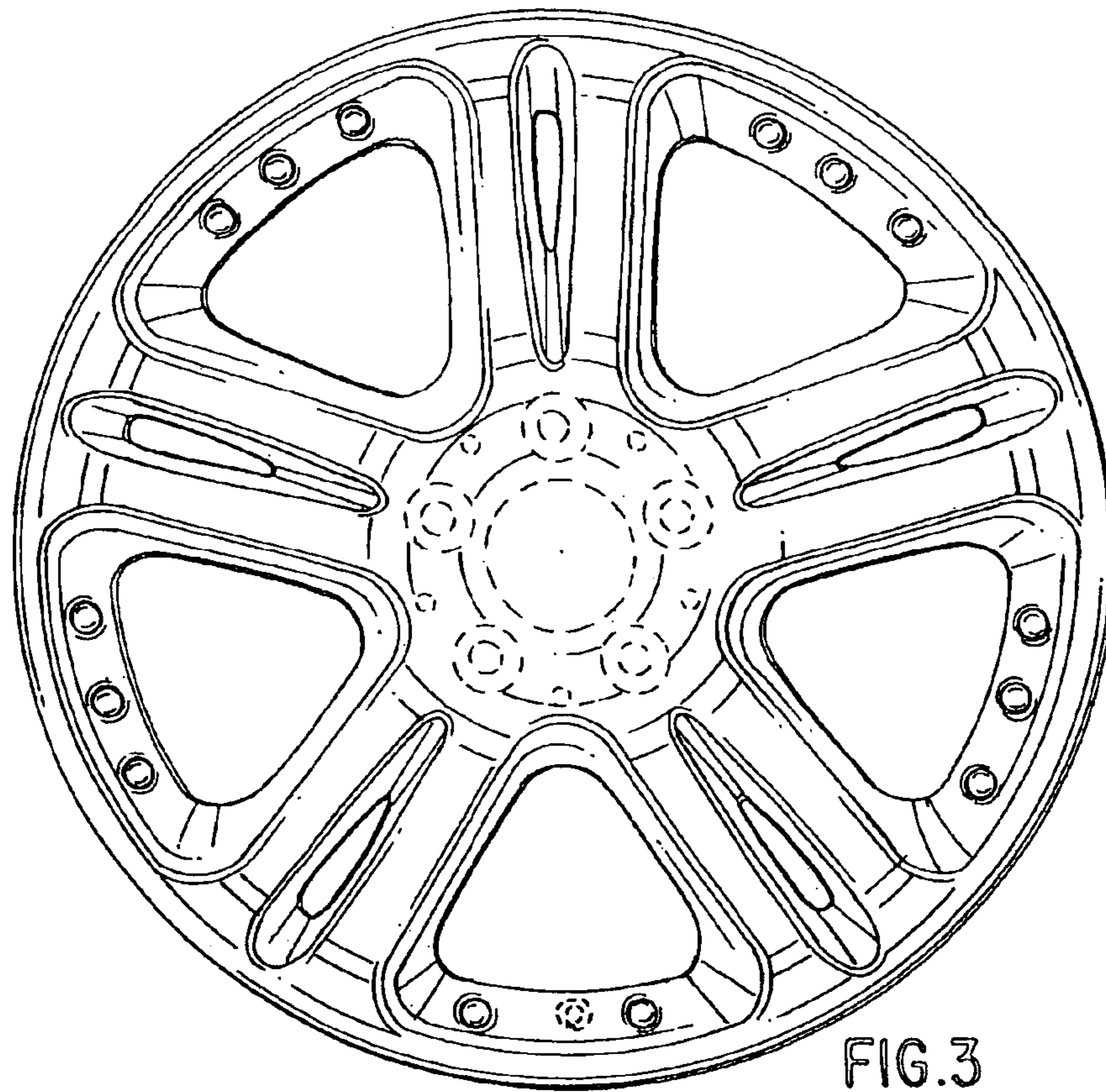


FIG. 3

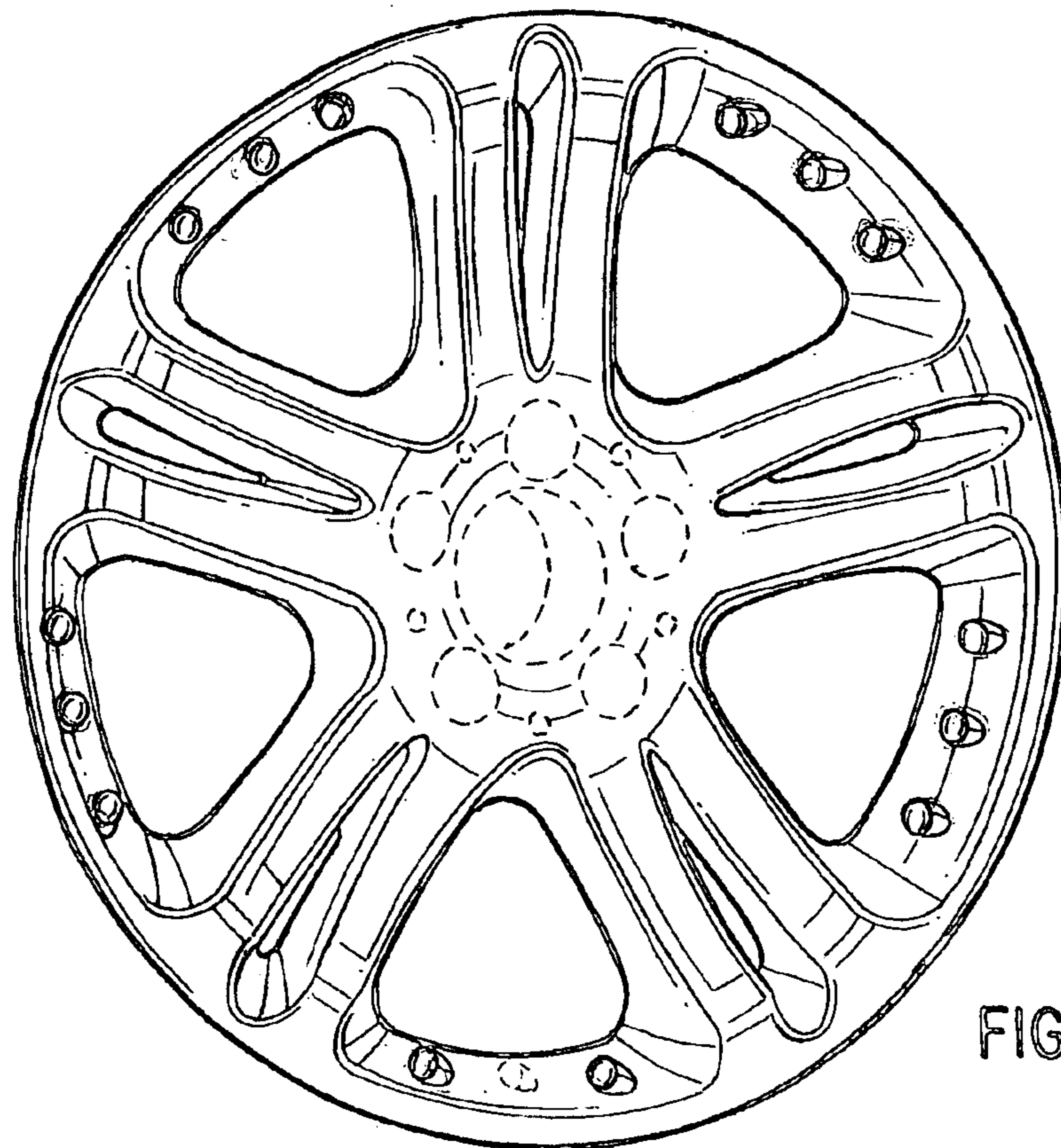


FIG. 4