



US00D515489S

(12) **United States Design Patent**
Tokutake

(10) **Patent No.:** **US D515,489 S**

(45) **Date of Patent:** **** Feb. 21, 2006**

(54) **BACK DOOR FOR AN AUTOMOBILE**

D491,855 S * 6/2004 Velazco D12/196
D501,167 S * 1/2005 Otto et al. D12/196

(75) Inventor: **Shogo Tokutake**, Aichi-ken (JP)

OTHER PUBLICATIONS

(73) Assignee: **Toyota Jidosha Kabushiki Kaisha** (JP)

Toyota, CALDINA 2002, Brochure of CALDINA, Sep. 2002.

(**) Term: **14 Years**

* cited by examiner

(21) Appl. No.: **29/220,274**

Primary Examiner—Melody N. Brown

(22) Filed: **Dec. 28, 2004**

(74) *Attorney, Agent, or Firm*—Saidman Design Law Group

(51) **LOC (8) Cl.** **12-16**

(52) **U.S. Cl.** **D12/196**

(58) **Field of Classification Search** D12/196,
D12/86, 90-92; 296/181.1

See application file for complete search history.

(57) **CLAIM**

The ornamental design for a back door for an automobile, as shown and described.

DESCRIPTION

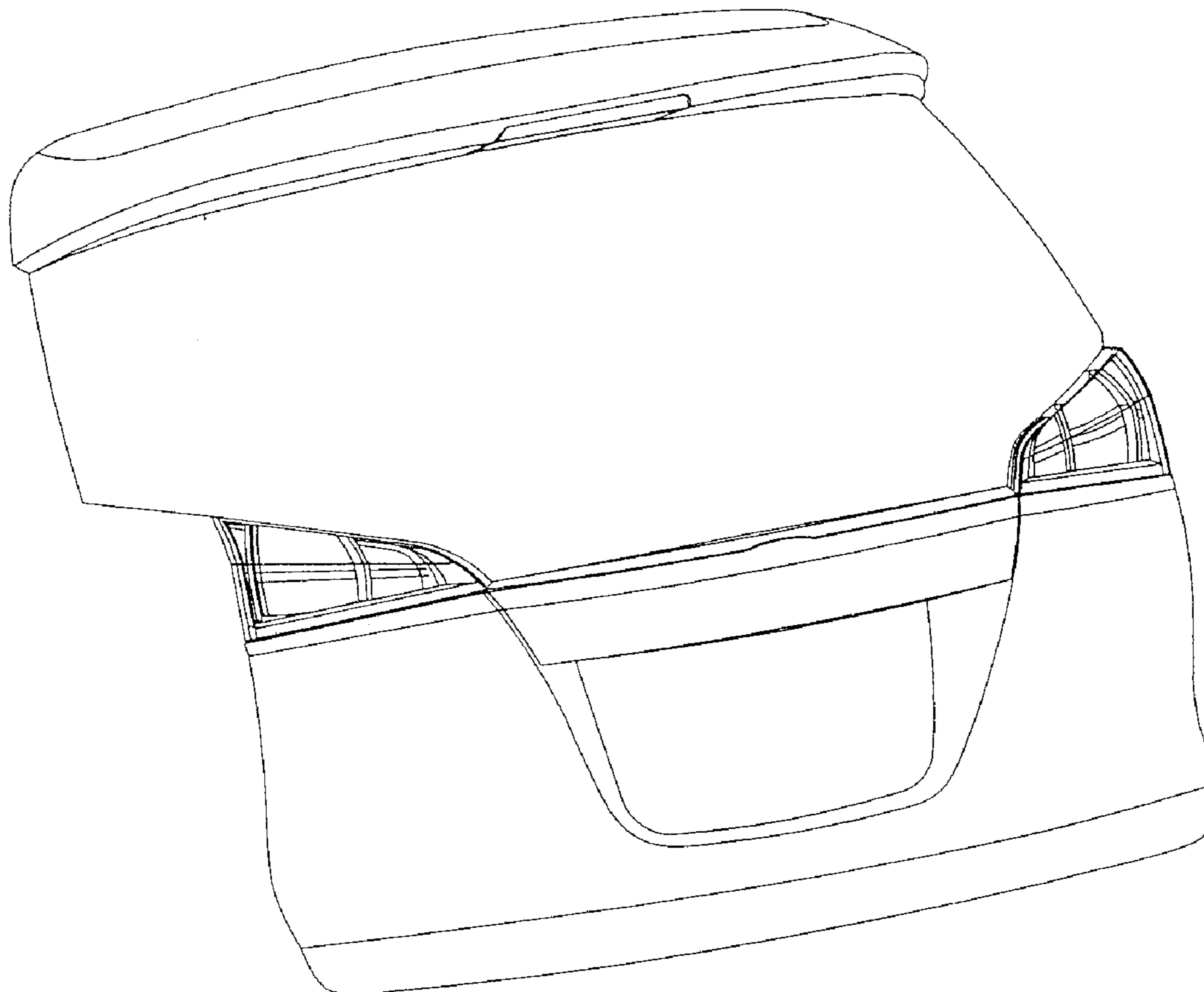
(56) **References Cited**

U.S. PATENT DOCUMENTS

D420,317 S	*	2/2000	Ney	D12/196
D443,241 S	*	6/2001	Ohsaki	D12/196
D444,752 S	*	7/2001	Gabath	D12/196
D445,747 S	*	7/2001	Martin et al.	D12/196
D457,115 S	*	5/2002	Mahoney et al.	D12/196
D466,458 S	*	12/2002	Murkett	D12/196
D481,339 S	*	10/2003	McClellan et al.	D12/196

FIG. 1 is a front perspective view of a back door for an automobile showing my new design;
FIG. 2 is a front view thereof;
FIG. 3 is a rear view thereof;
FIG. 4 is a top view thereof;
FIG. 5 is a bottom view thereof; and,
FIG. 6 is a left-side view thereof.

1 Claim, 4 Drawing Sheets



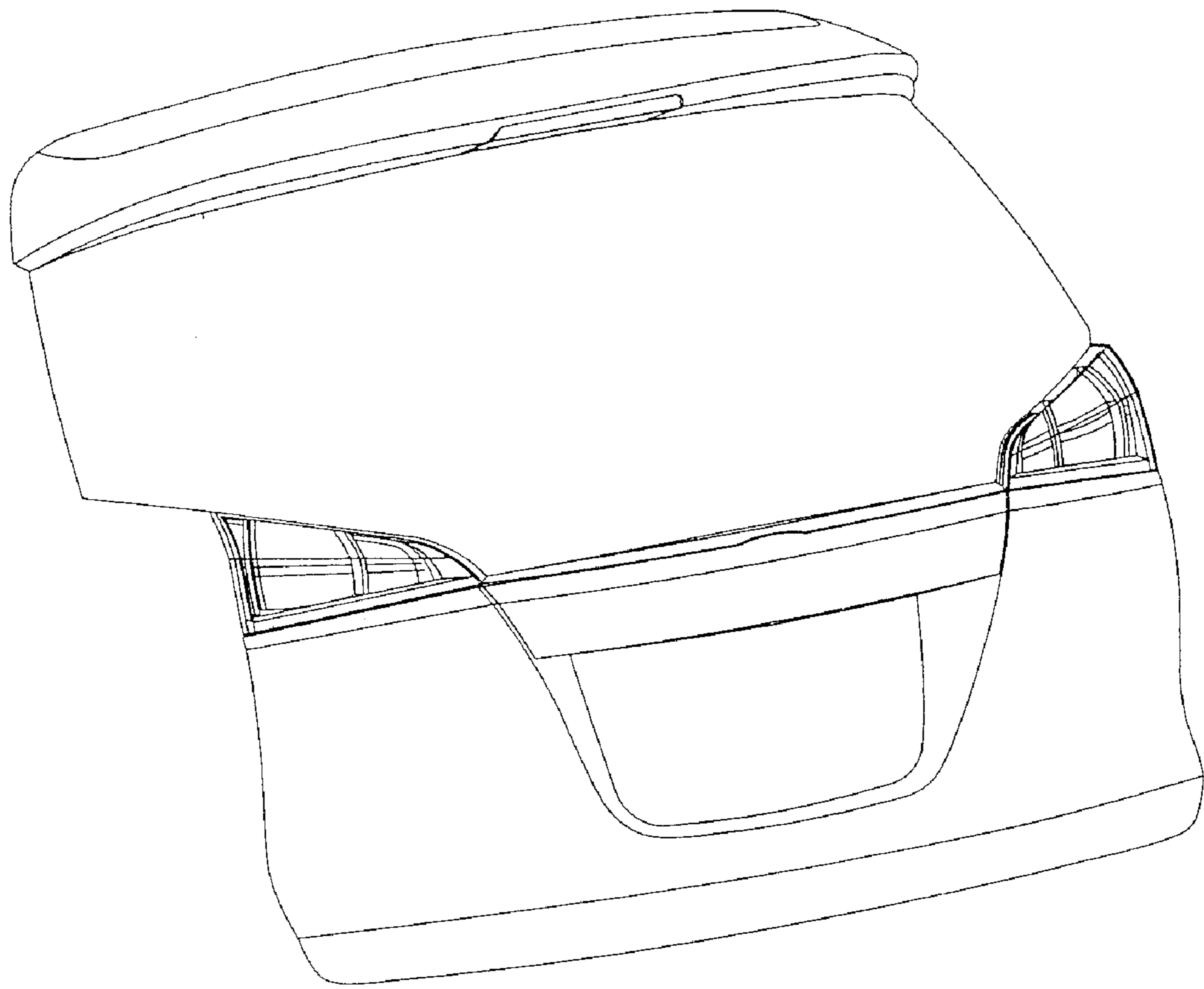


FIG. 1

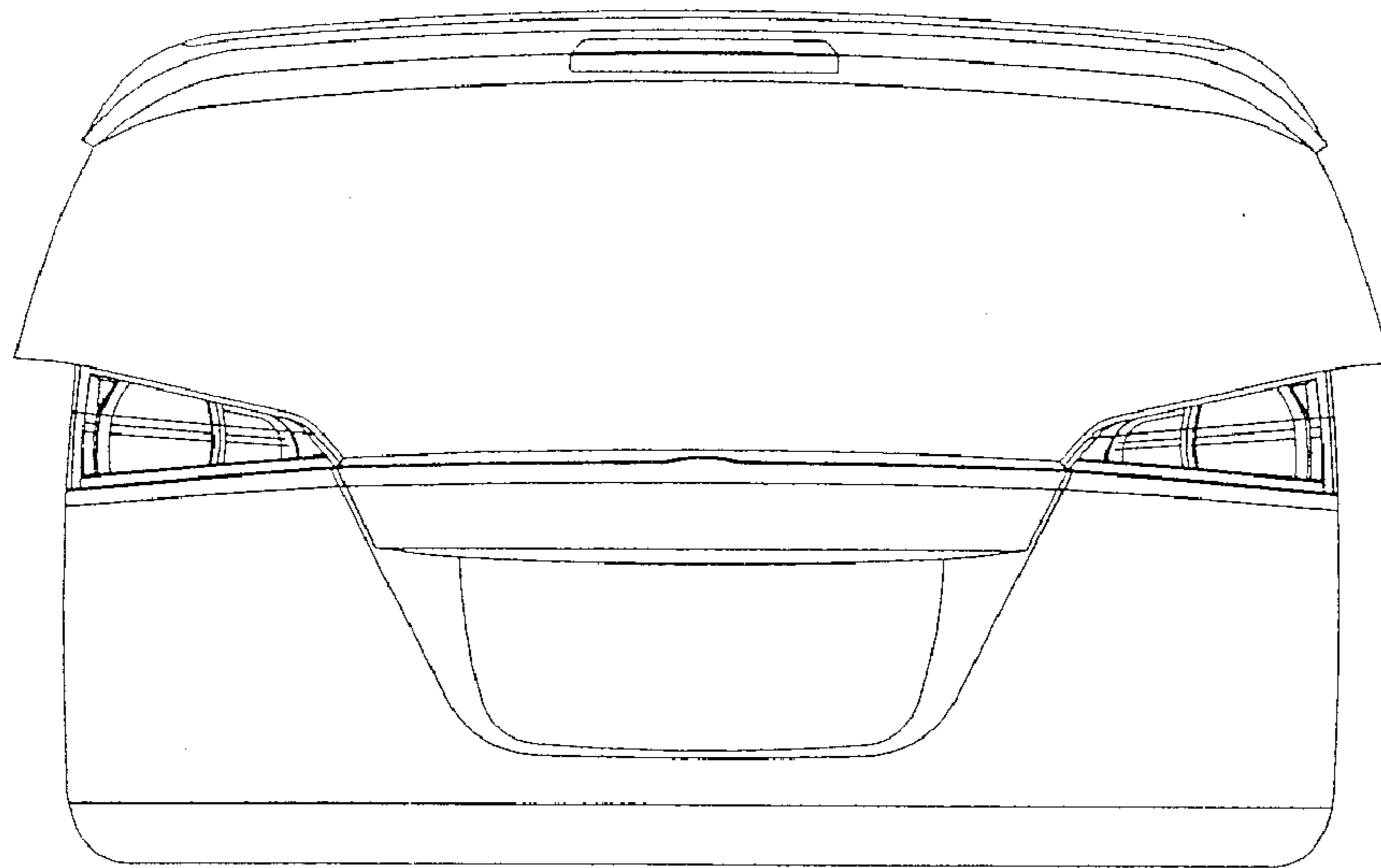


FIG. 2

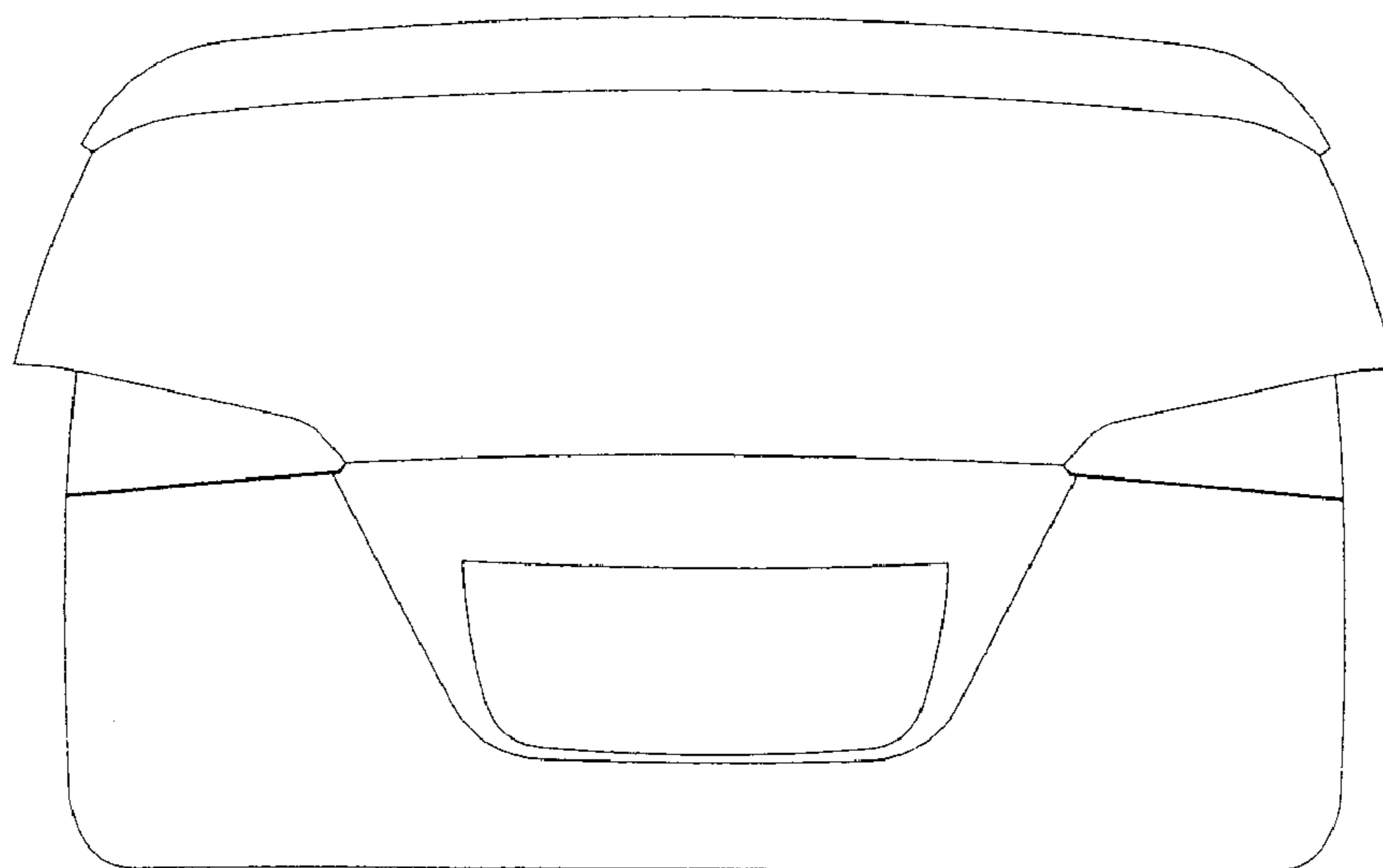


FIG. 3

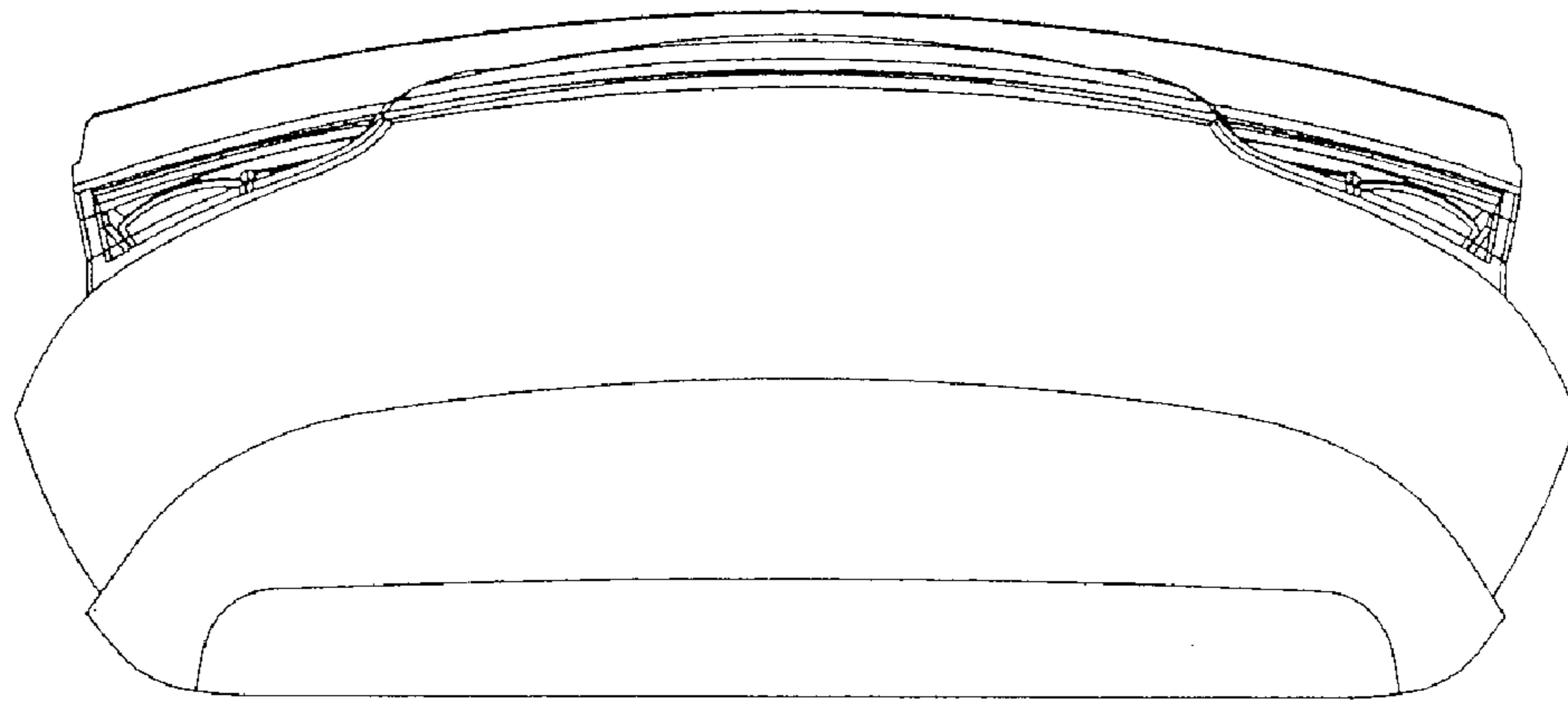


FIG. 4

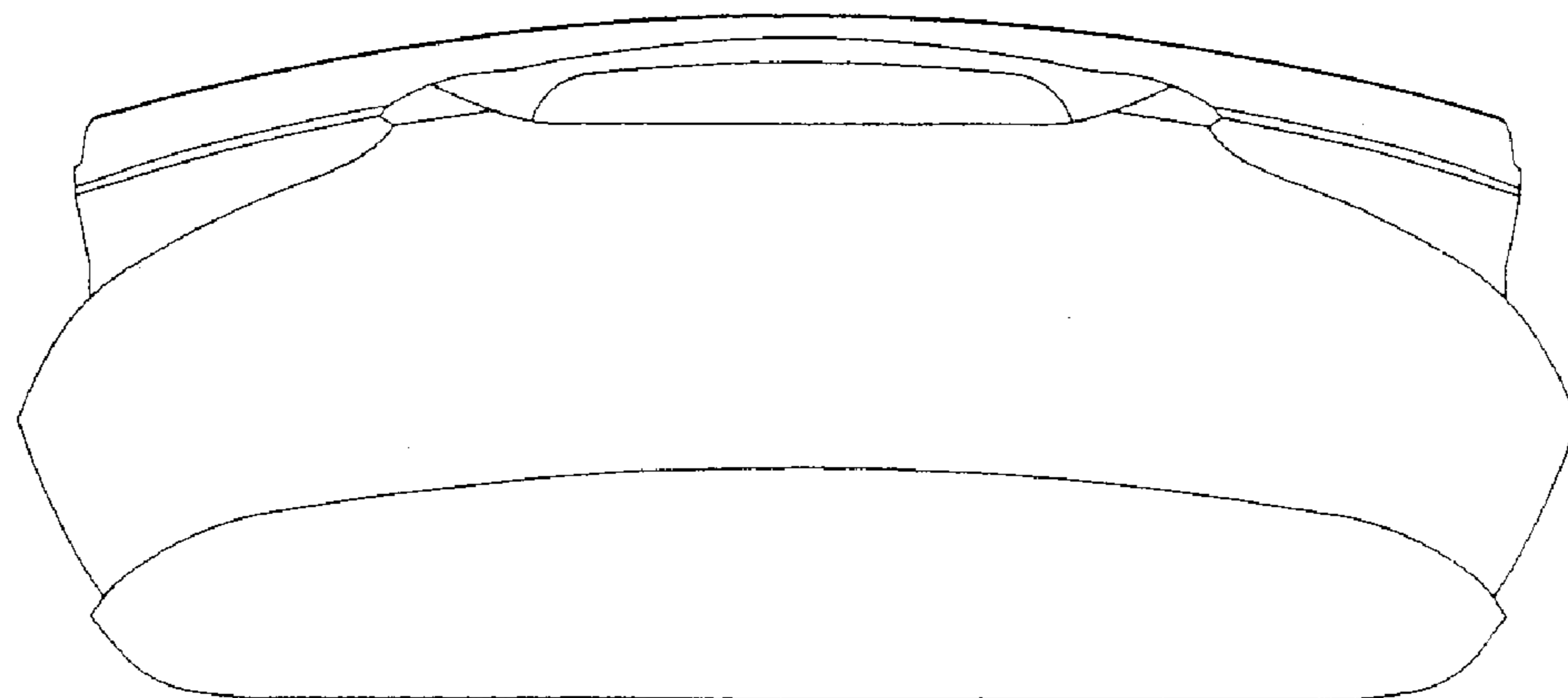


FIG. 5

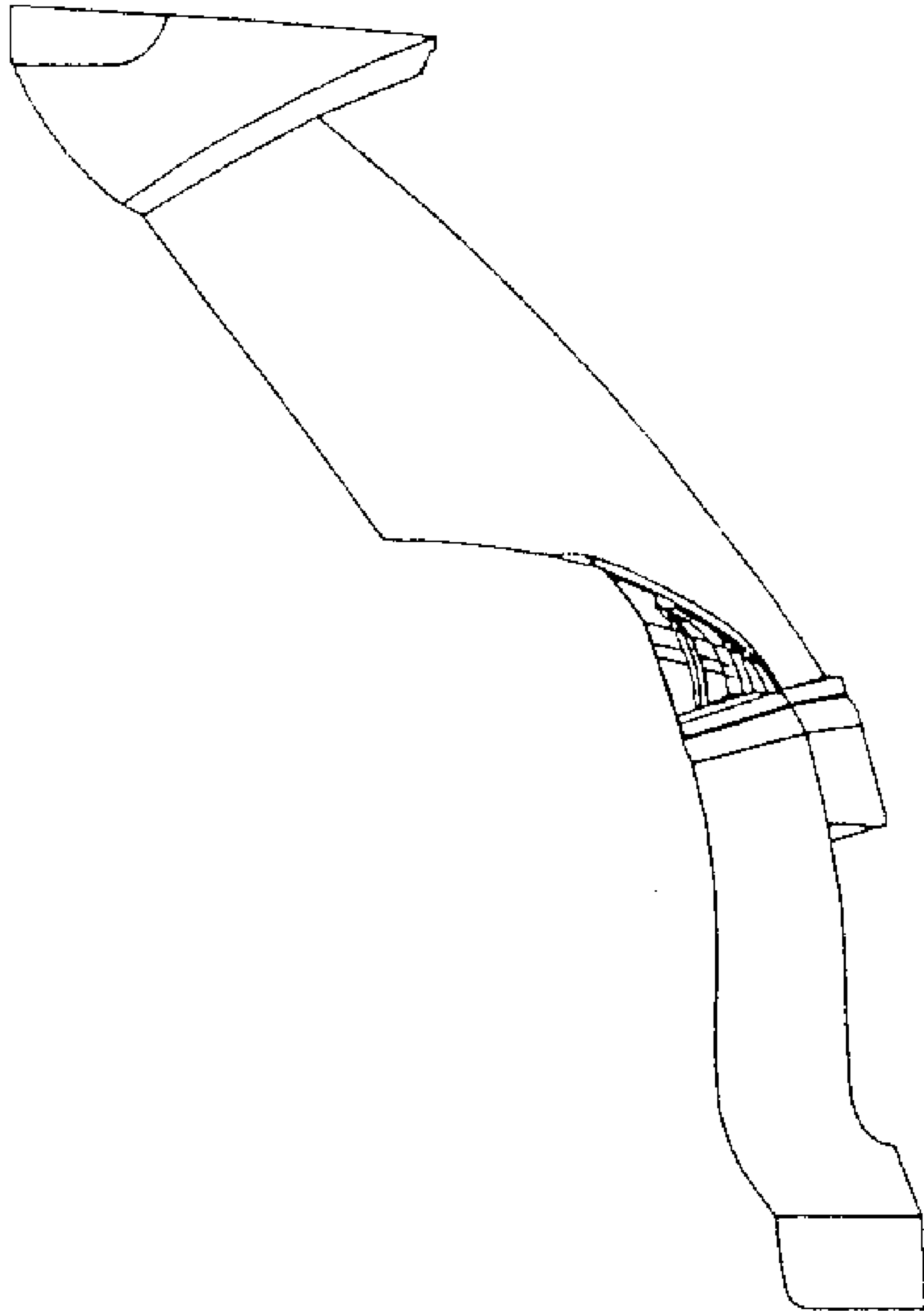


FIG. 6