



US00D515487S

(12) **United States Design Patent**  
**Tanaka et al.**

(10) **Patent No.:** **US D515,487 S**  
(45) **Date of Patent:** **\*\* Feb. 21, 2006**

(54) **INSTRUMENT PANEL**  
(75) **Inventors:** **Shunji Tanaka**, Kobe (JP); **Seiichi Ino**,  
Kakogawa (JP); **Naoki Hashimoto**,  
Kakogawa (JP)

D489,660 S \* 5/2004 Okumura et al. .... D12/192  
D493,395 S \* 7/2004 Hill et al. .... D12/192  
D493,756 S \* 8/2004 Yamamoto et al. .... D12/192  
D494,115 S \* 8/2004 McPeck et al. .... D12/192  
D499,998 S \* 12/2004 Tanaka et al. .... D12/192

(73) **Assignee:** **Kawasaki Jukogyo Kabushiki Kaisha**,  
Kobe (JP)

\* cited by examiner

(\*\*) **Term:** **14 Years**

*Primary Examiner*—Stacia Cadmus  
(74) *Attorney, Agent, or Firm*—Alleman Hall McCoy  
Russell & Tuttle LLP

(21) **Appl. No.:** **29/206,414**

(57) **CLAIM**

(22) **Filed:** **May 27, 2004**

The ornamental design for an instrument panel, as shown  
and described.

(30) **Foreign Application Priority Data**

Nov. 28, 2003 (JP) ..... 2003-035397

**DESCRIPTION**

(51) **LOC (8) Cl.** ..... **12-16**

FIG. 1 is a front view of an instrument panel according to an  
embodiment of the present invention.

(52) **U.S. Cl.** ..... **D12/192**

FIG. 2 is a rear view of the instrument panel of FIG. 1.

(58) **Field of Classification Search** ..... D12/192;

FIG. 3 is a top view of the instrument panel of FIG. 1.

180/90; 280/750-752; 296/190-191, 70;

FIG. 4 is a bottom view of the instrument panel of FIG. 1.

D10/46, 102, 98, 122-127

FIG. 5 is a left side view of the instrument panel of FIG. 1.

See application file for complete search history.

FIG. 6 is a right side view of the instrument panel of FIG.

1.

(56) **References Cited**

FIG. 7 is a left side perspective view of the instrument panel

**U.S. PATENT DOCUMENTS**

of FIG. 1, shown mounted in a vehicle; and,

D397,977 S \* 9/1998 Hellhake et al. .... D12/192

FIG. 8 is a right side perspective view of the instrument

D413,095 S \* 8/1999 Abalos et al. .... D12/192

panel of FIG. 1, shown mounted in a vehicle.

D439,556 S \* 3/2001 Beigel ..... D12/192

The broken lines show environment and form no part of the

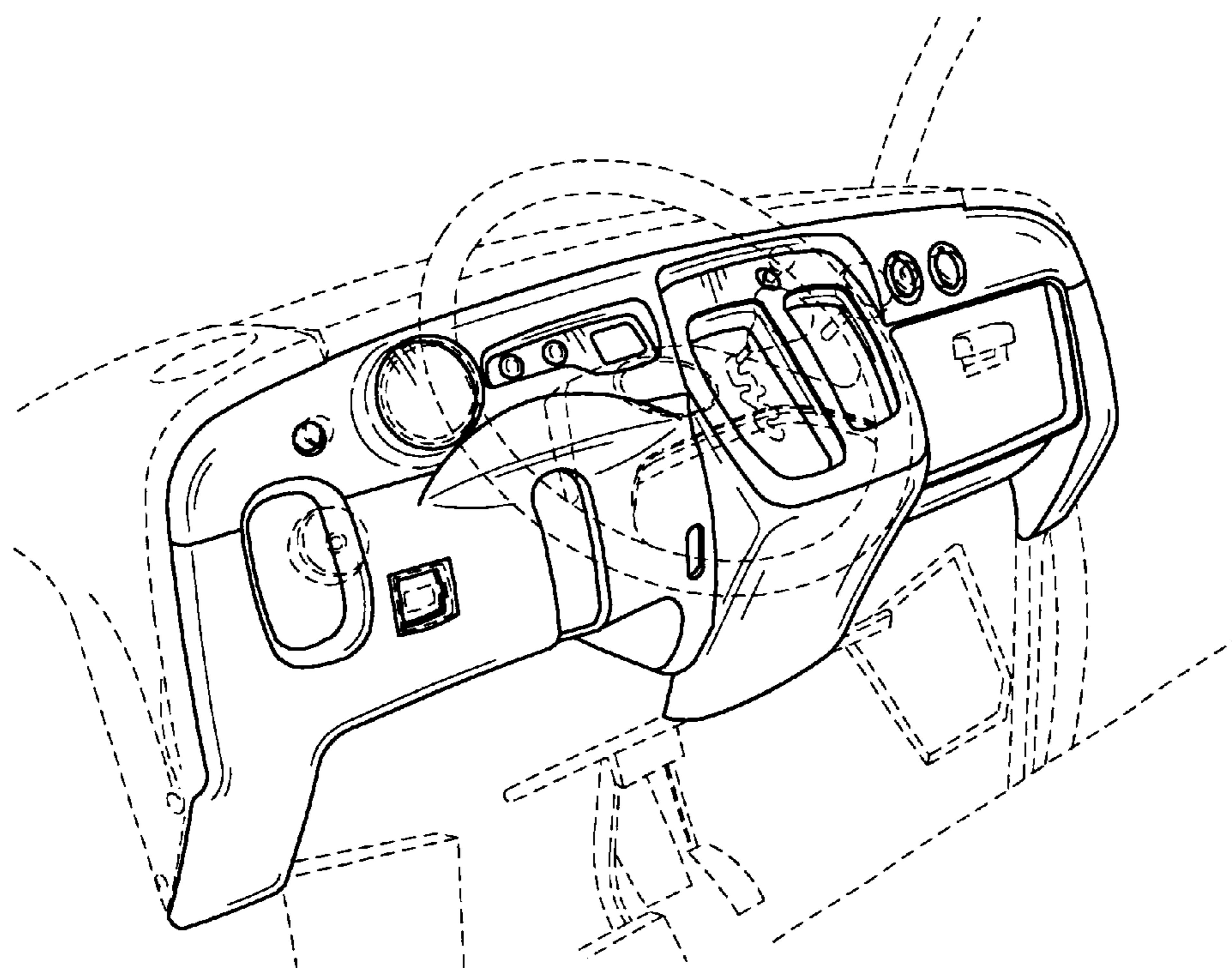
D449,263 S 10/2001 Yamazaki et al. .... D12/192

claimed design.

D470,807 S 2/2003 Wyszogrod et al. .... D12/192

D470,809 S 2/2003 Asahi et al. .... D12/192

**1 Claim, 3 Drawing Sheets**



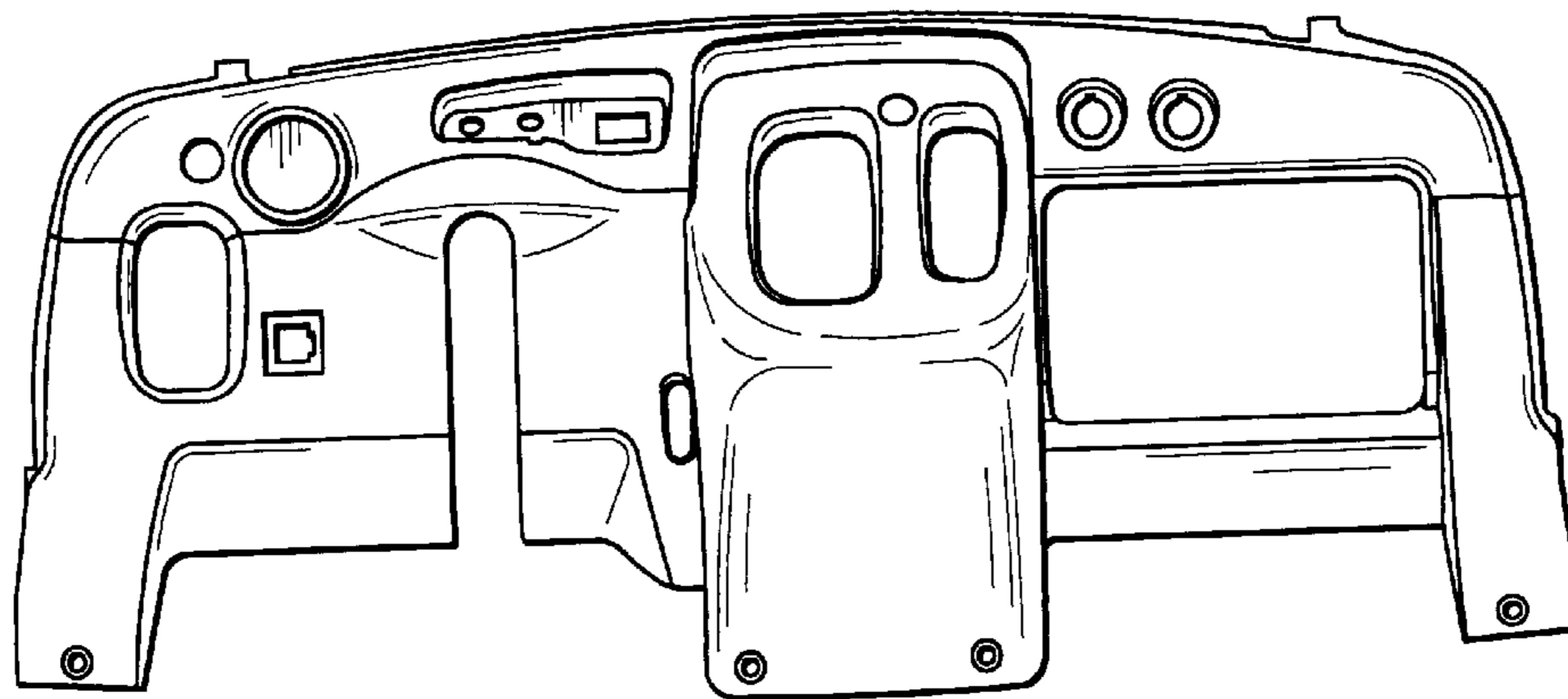


FIG. 1

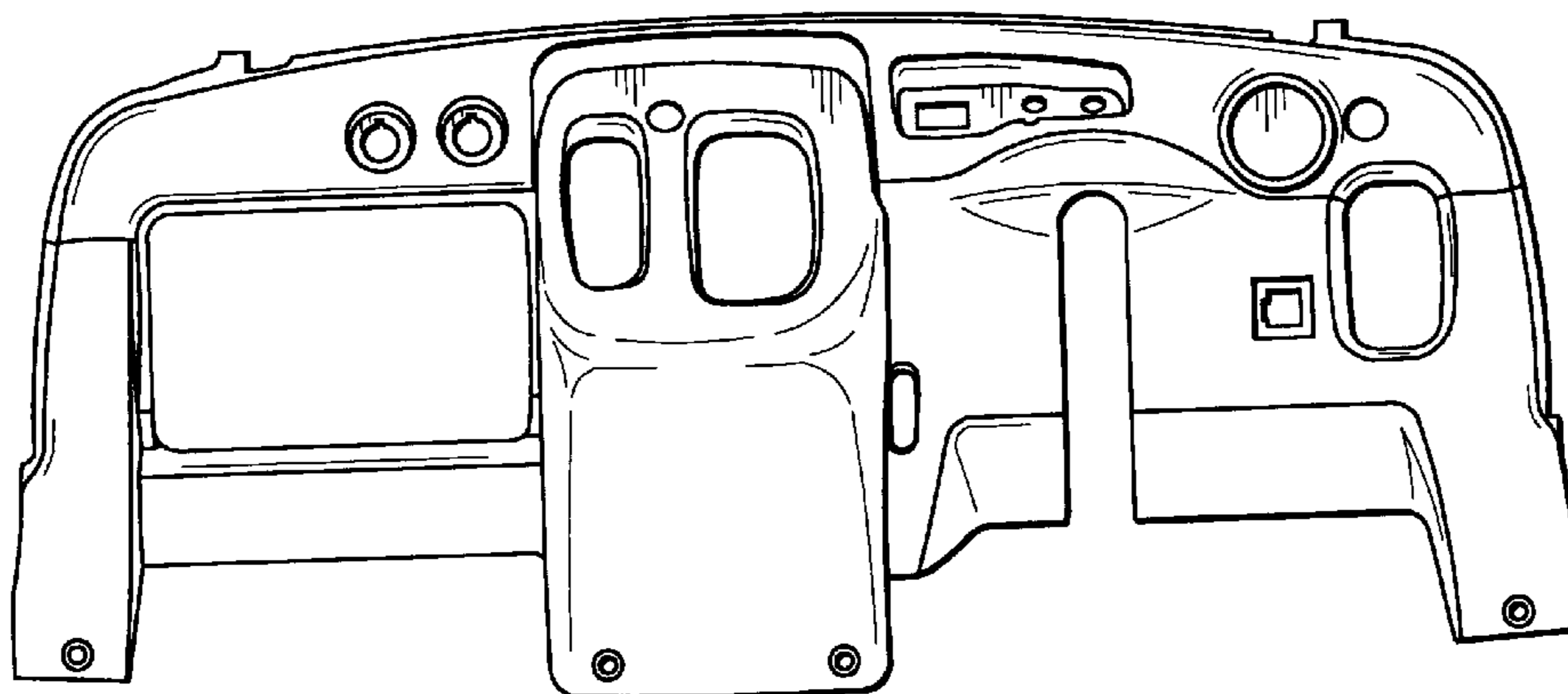


FIG. 2

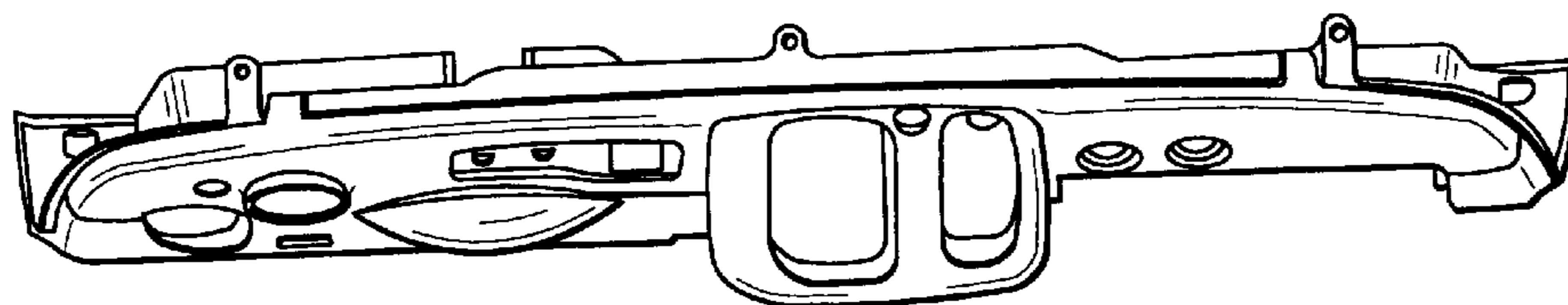


FIG. 3

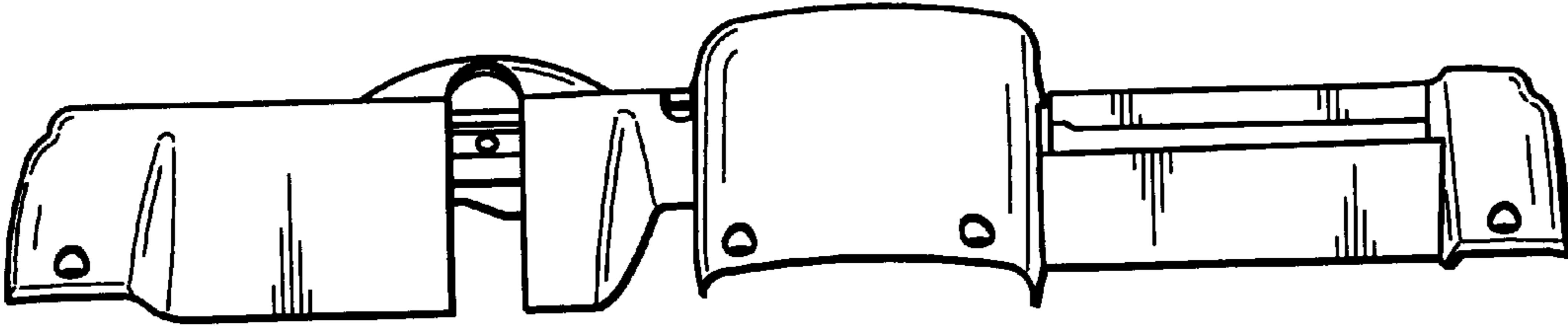


FIG. 4

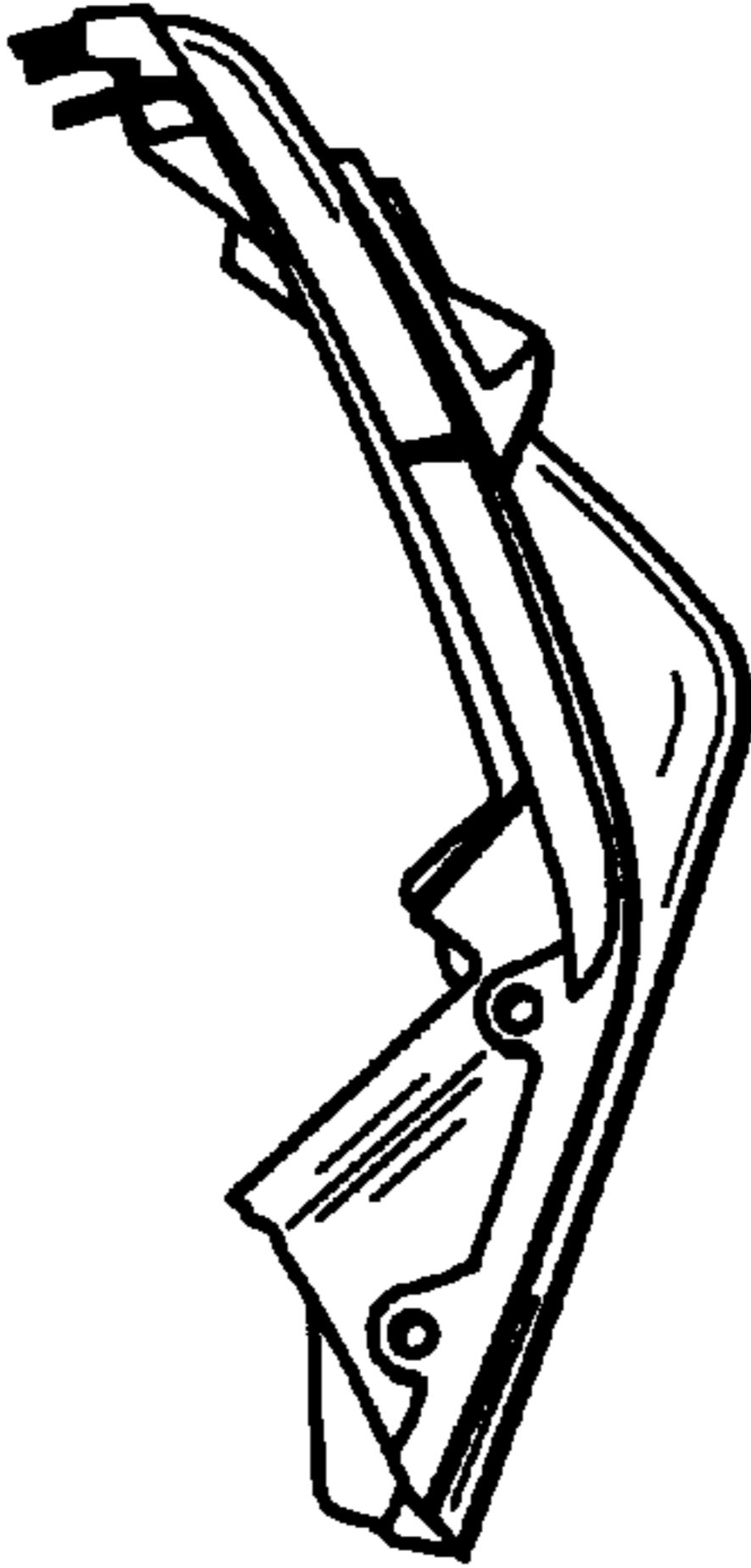


FIG. 5

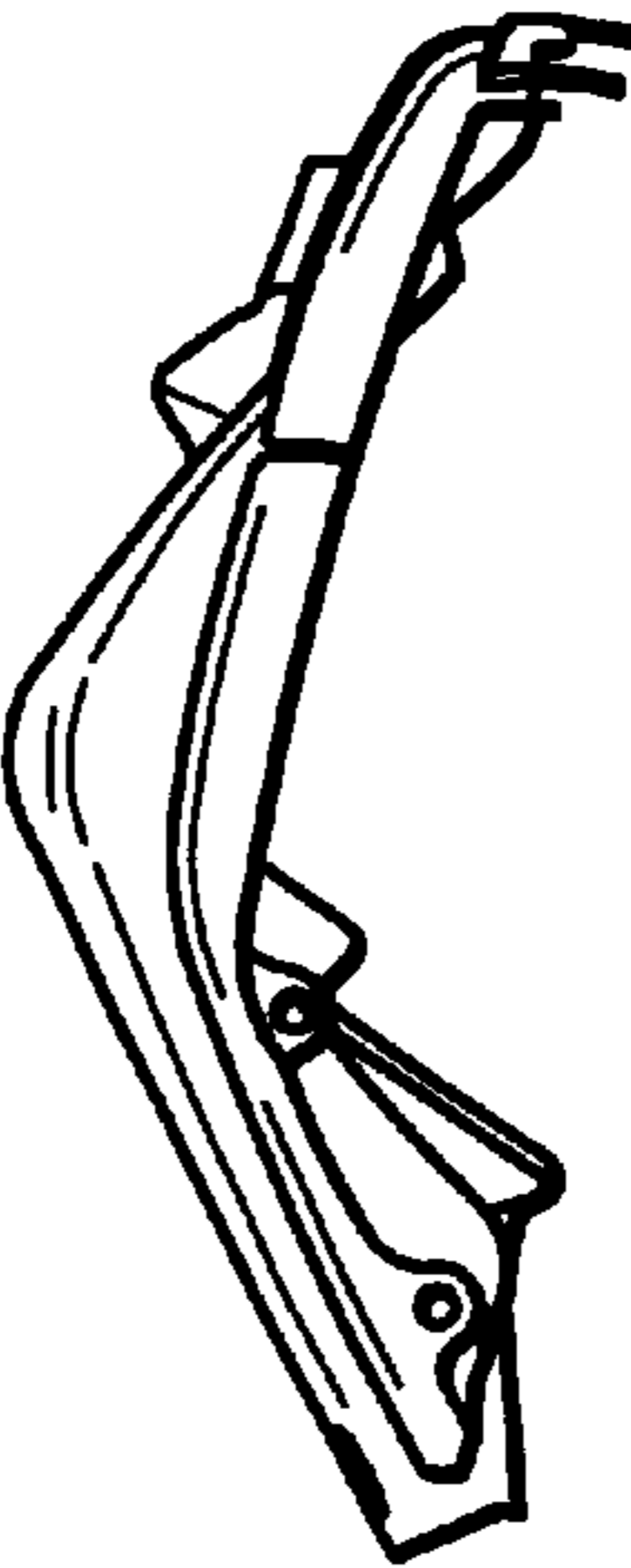


FIG. 6

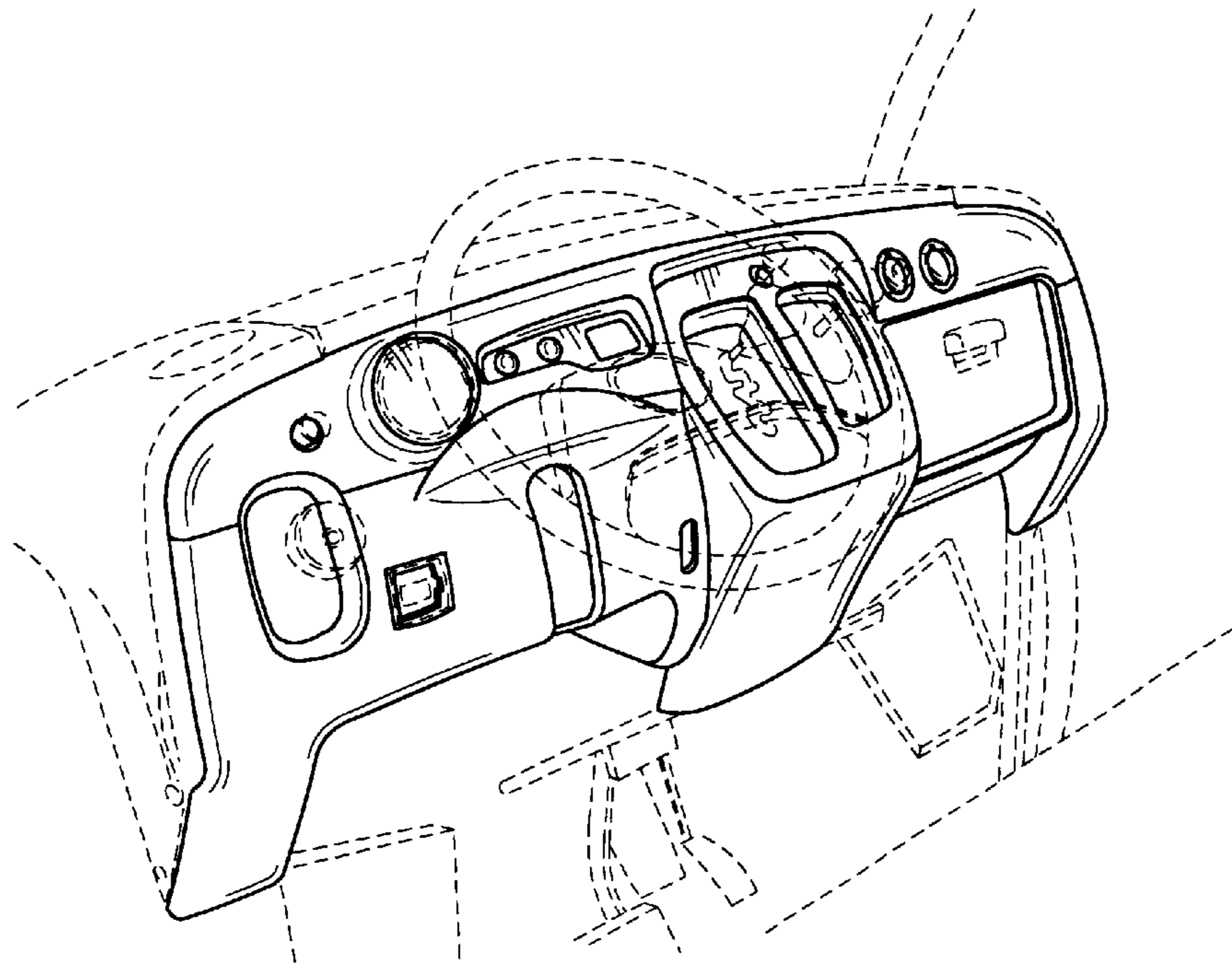


FIG. 7

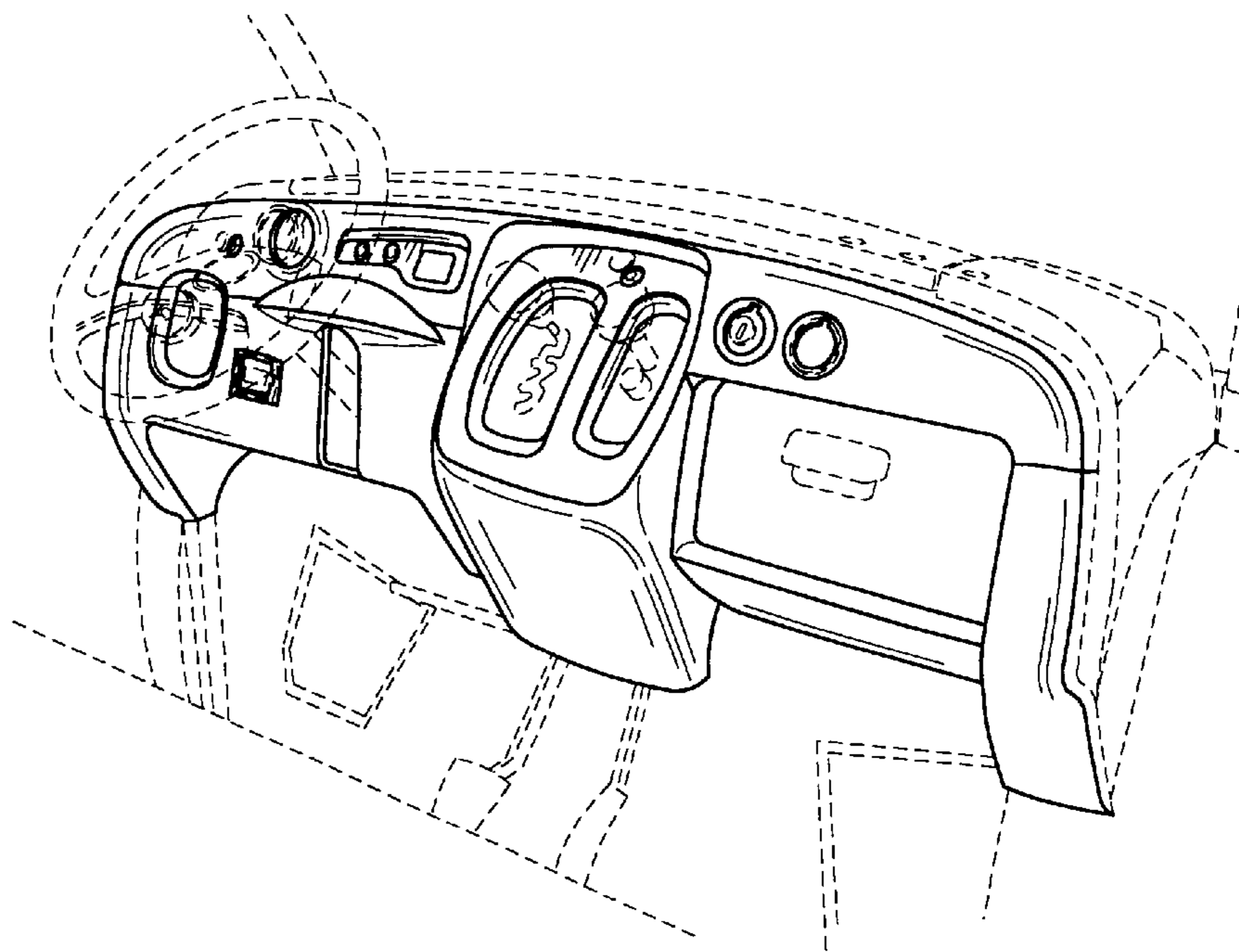


FIG. 8