



US00D515486S

(12) **United States Design Patent**  
**Yokomaku**

(10) **Patent No.:** **US D515,486 S**

(45) **Date of Patent:** **\*\* Feb. 21, 2006**

(54) **AUTOMOBILE BODY MOLDING KIT**

D461,753 S \* 8/2002 Yokomaku ..... D12/190

(75) Inventor: **Hironao Yokomaku**, Tsukuba (JP)

\* cited by examiner

(73) Assignee: **Vellside Co., Ltd.**, Tsukuba (JP)

*Primary Examiner*—Melody N. Brown

(74) *Attorney, Agent, or Firm*—Oliff & Berridge, PLC

(\*\*) Term: **14 Years**

(57) **CLAIM**

(21) Appl. No.: **29/220,789**

The ornamental design for an automobile body molding kit, as shown and described.

(22) Filed: **Jan. 7, 2005**

**DESCRIPTION**

(51) **LOC (8) Cl.** ..... **12-16**

(52) **U.S. Cl.** ..... **D12/190**; D12/196

(58) **Field of Classification Search** ..... D12/196,  
D12/86, 90-92, 190; 296/181.1

See application file for complete search history.

FIG. 1 is a front view of an automobile body molding kit showing my new design;

FIG. 2 is a rear view thereof;

FIG. 3 is a right-side view thereof, the left-side view being a mirror image;

FIG. 4 is a top view thereof;

FIG. 5 is a front right perspective view thereof; and,

FIG. 6 is a rear left perspective view thereof.

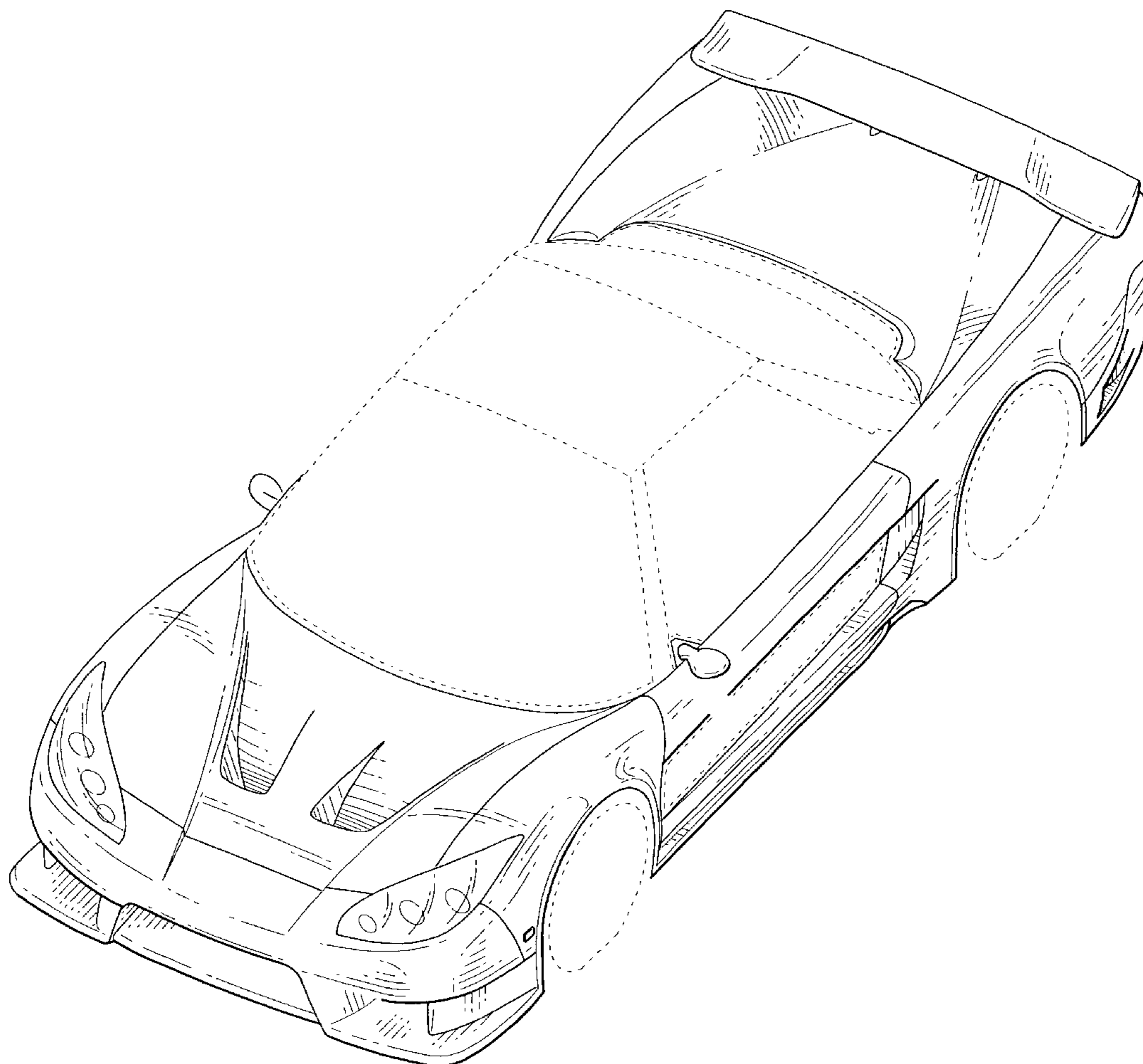
The broken line showing of other components of the automobile are for illustrative purposes only, and form no part of the claimed design.

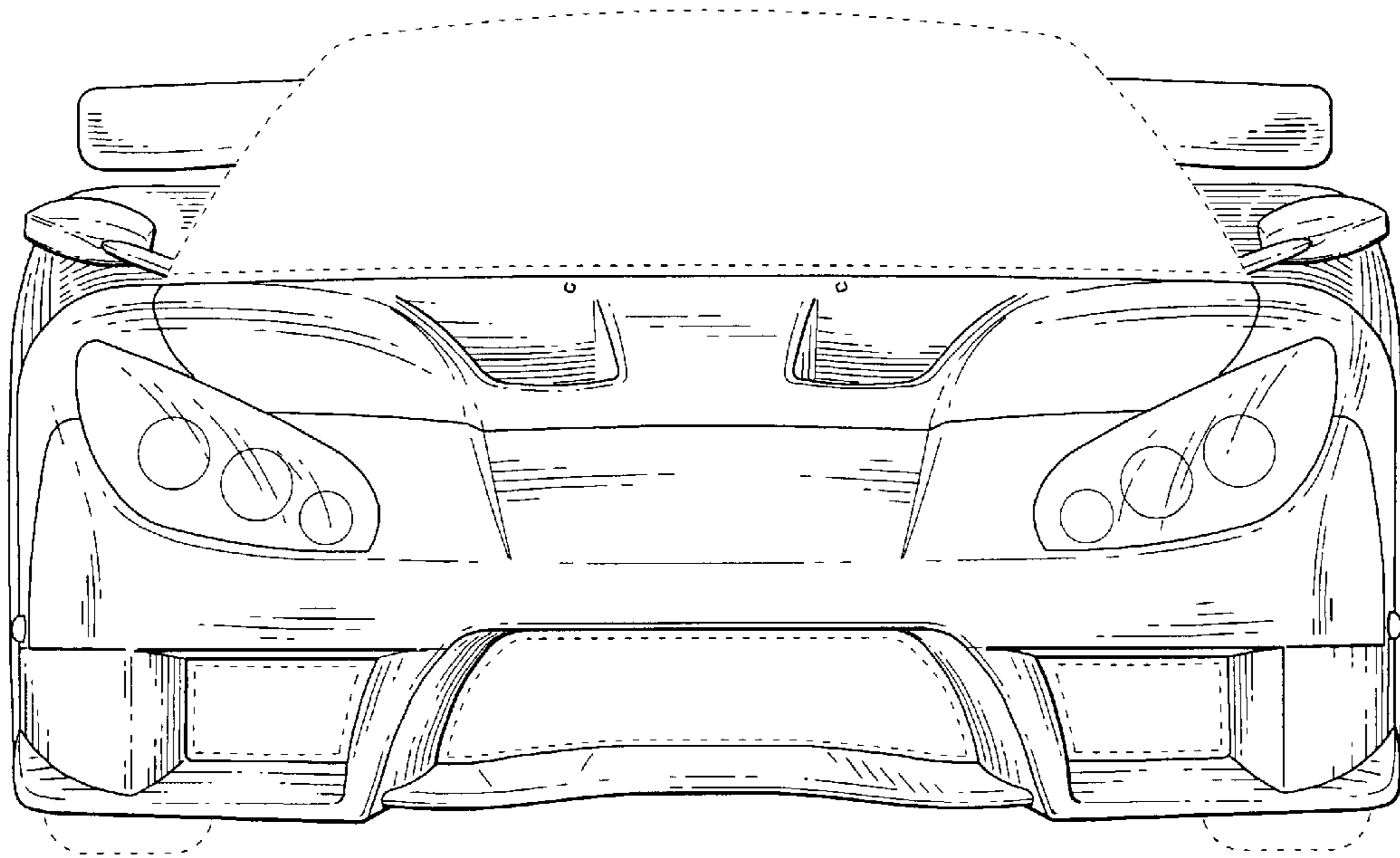
(56) **References Cited**

**U.S. PATENT DOCUMENTS**

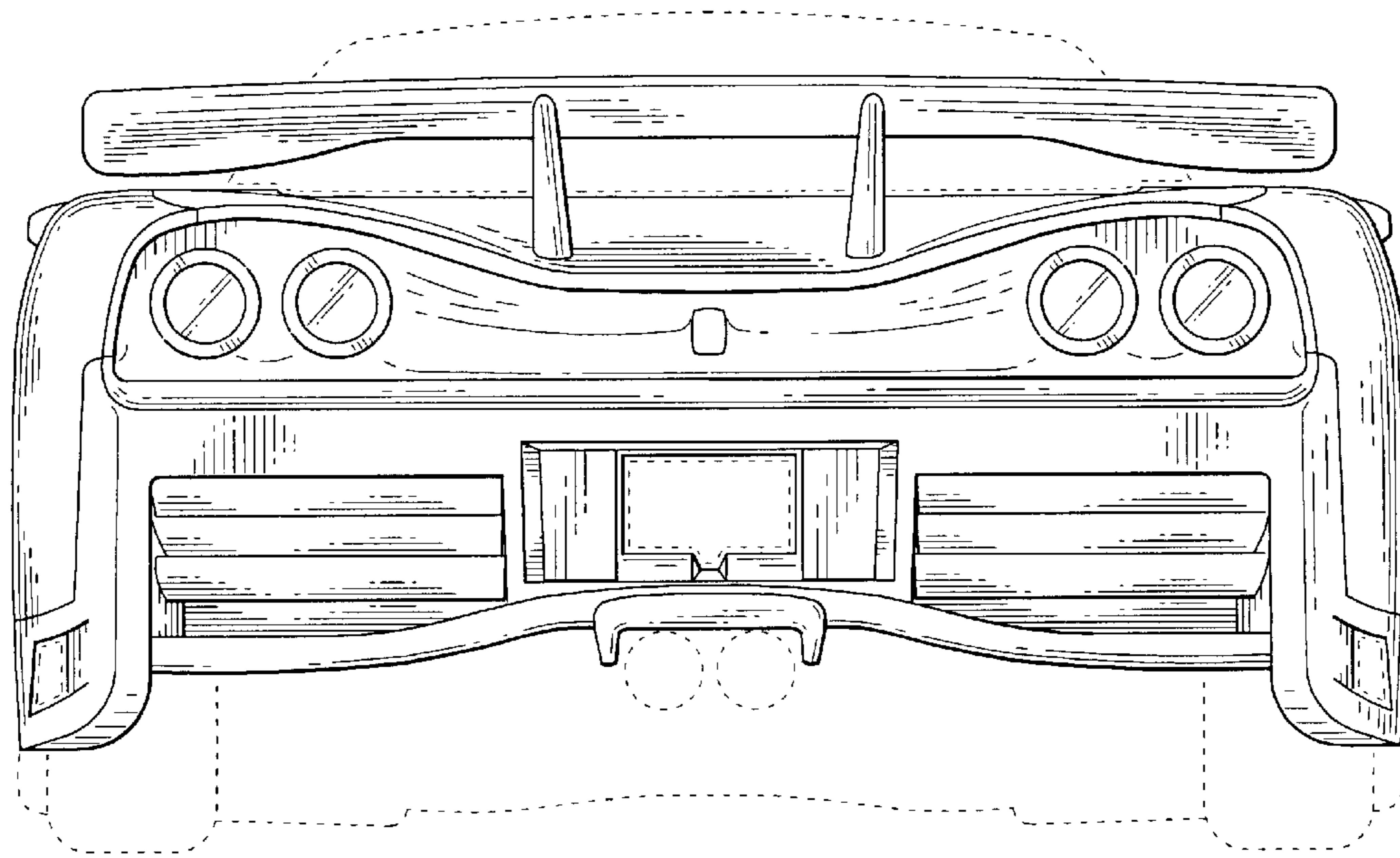
D321,679 S	*	11/1991	Shinoda	.....	D12/196
D437,814 S	*	2/2001	Yokomaku	.....	D12/196
D438,497 S	*	3/2001	Yokomaku	.....	D12/196
D446,758 S	*	8/2001	Tampi	.....	D12/190
D453,314 S	*	2/2002	Longfellow	.....	D12/190

**1 Claim, 5 Drawing Sheets**





*FIG. 1*



*FIG. 2*

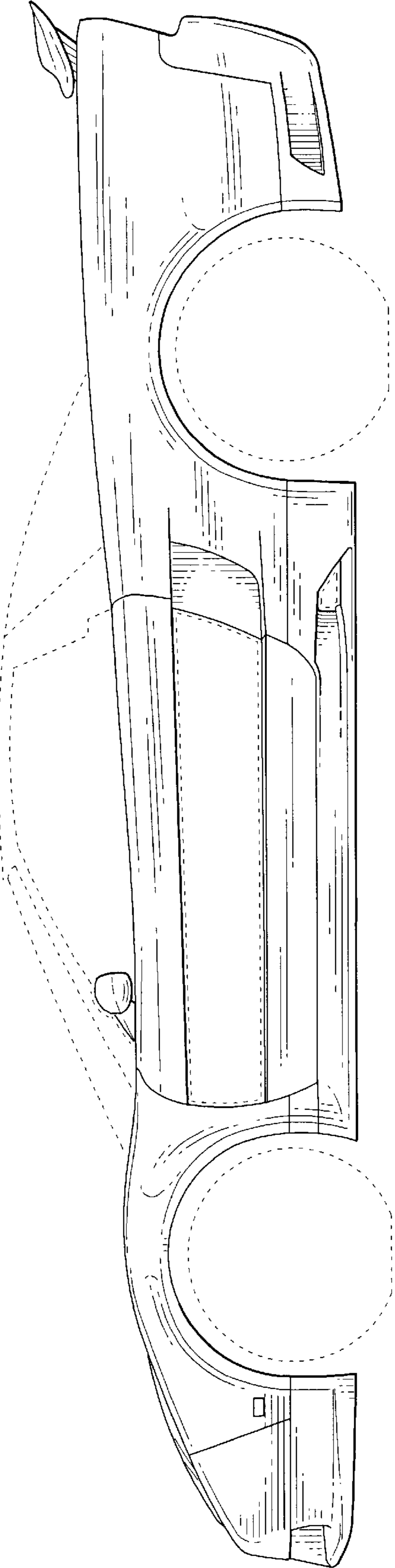


FIG. 3

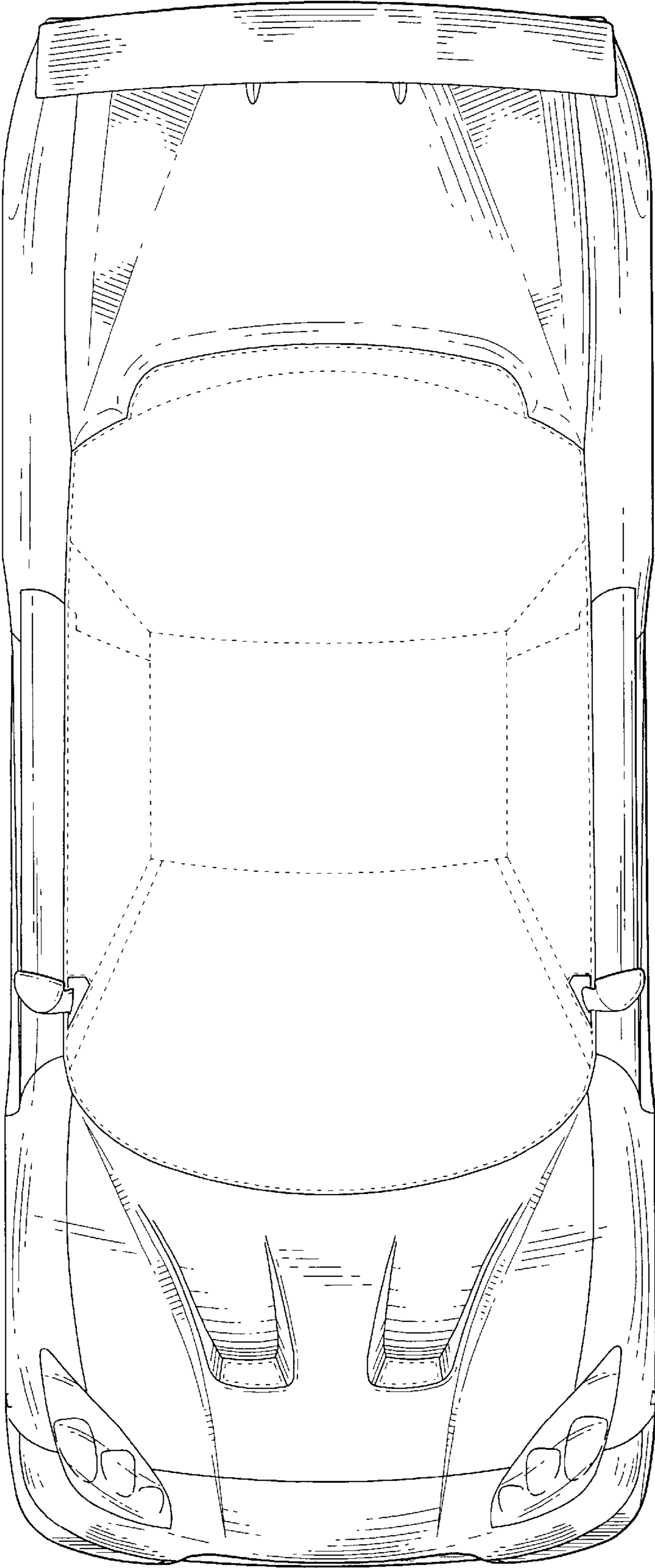


FIG. 4



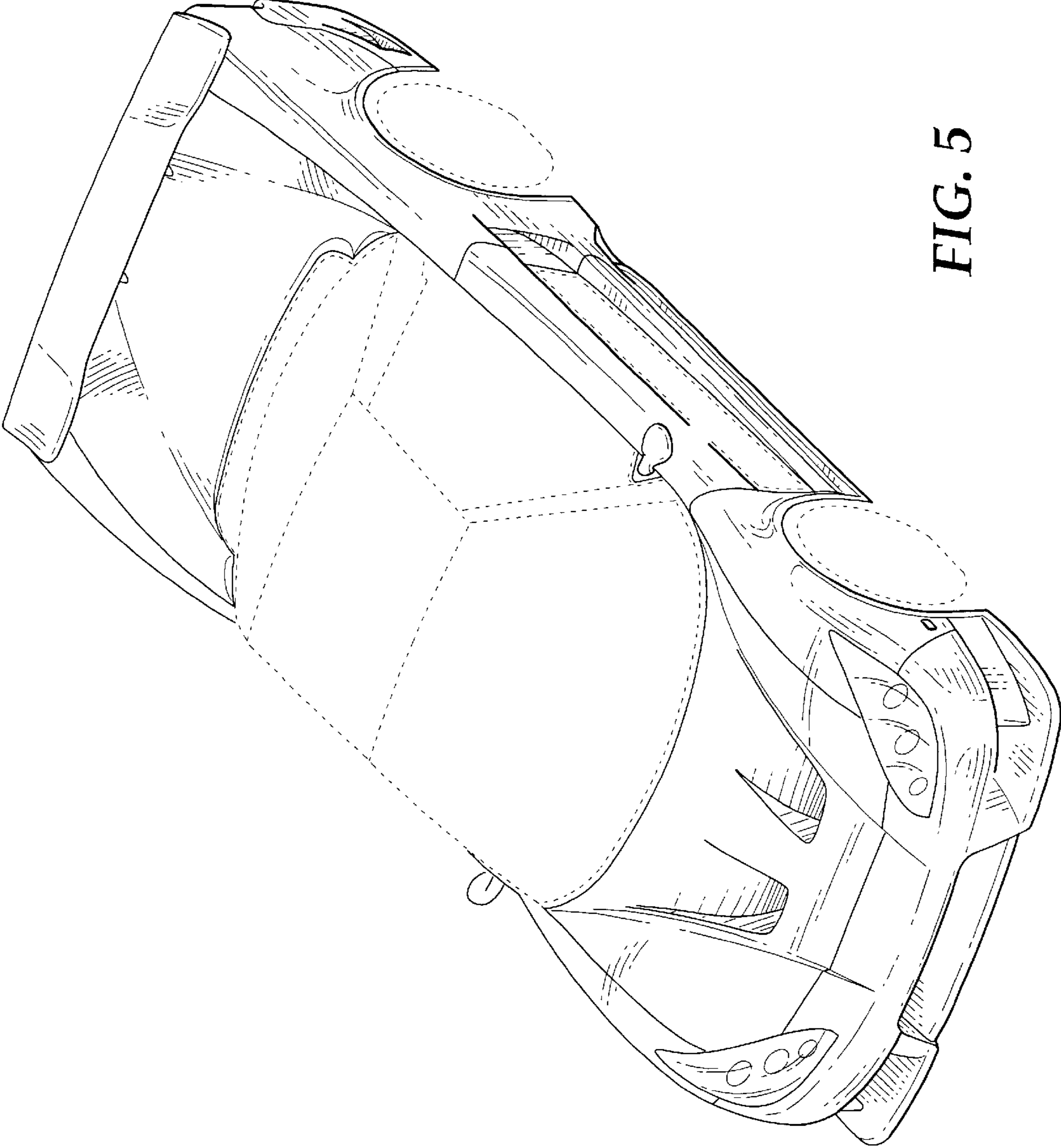


FIG. 5

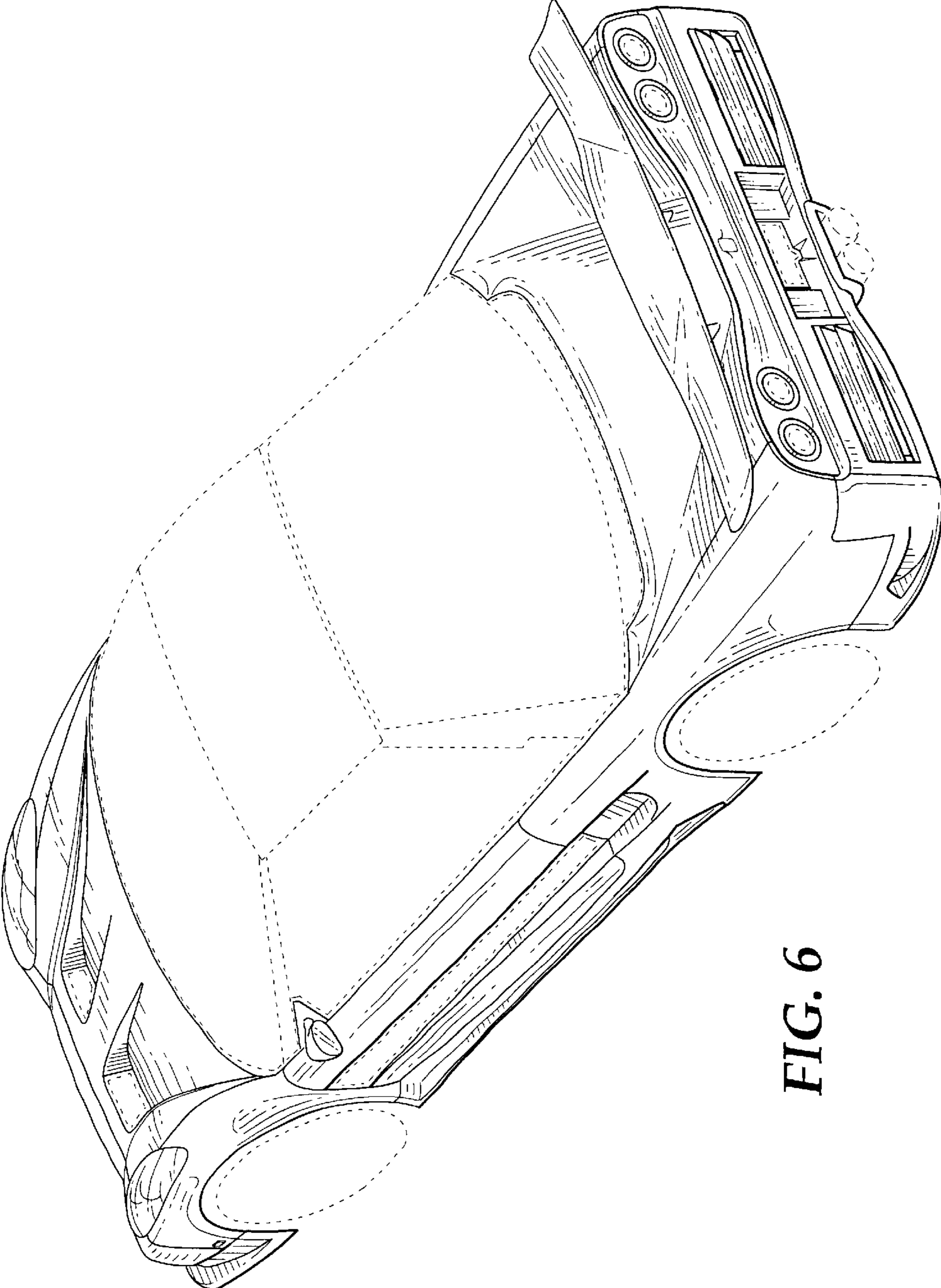


FIG. 6