



US00D515485S

(12) **United States Design Patent**  
**Sawabe et al.**

(10) **Patent No.:** **US D515,485 S**  
(45) **Date of Patent:** **\*\* Feb. 21, 2006**

(54) **FRONT COWL FOR MOTORCYCLE**

D499,993 S \* 12/2004 Otsubo et al. .... D12/182

(75) Inventors: **Akihiro Sawabe, Wako (JP); Takao Mikami, Wako (JP)**

**FOREIGN PATENT DOCUMENTS**

JP 1149720 1/2004

(73) Assignee: **Honda Giken Kogyo Kabushiki Kaisha, Tokyo (JP)**

\* cited by examiner

(\*\*) Term: **14 Years**

*Primary Examiner*—Alan P. Douglas

*Assistant Examiner*—Linda Brooks

(74) *Attorney, Agent, or Firm*—Blank Rome LLP

(21) Appl. No.: **29/213,848**

(57) **CLAIM**

(22) Filed: **Sep. 24, 2004**

The ornamental design for a front cowl for motorcycle, as shown and described.

(30) **Foreign Application Priority Data**

**DESCRIPTION**

Mar. 26, 2004 (JP) ..... 2004-009274

(51) **LOC (8) Cl.** ..... **12-16**

(52) **U.S. Cl.** ..... **D12/182**

(58) **Field of Classification Search** ..... D12/110,  
D12/182; 180/219, 229; 296/78.1, 192, 193.09,  
296/180.1; 280/152.1–152.3, 848, 852  
See application file for complete search history.

FIG. 1 is a front view;  
FIG. 2 is a rear view;  
FIG. 3 is a top view;  
FIG. 4 is a bottom view;  
FIG. 5 is a left side view;  
FIG. 6 is a right side view;  
FIG. 7 is a perspective left front view;  
FIG. 8 is a perspective right front view;  
FIG. 9 is a perspective left rear view; and,  
FIG. 10 is a perspective right rear view.

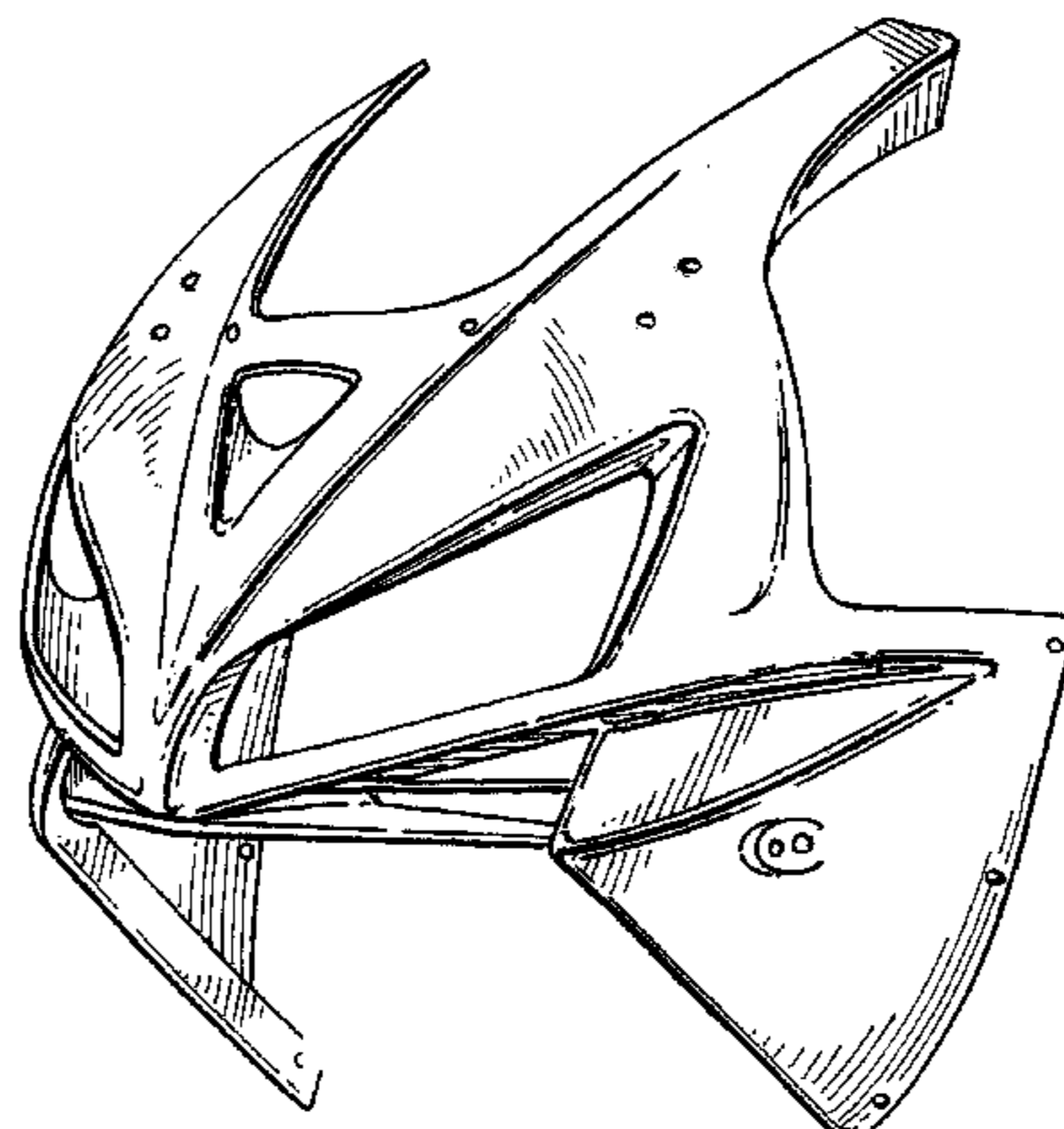
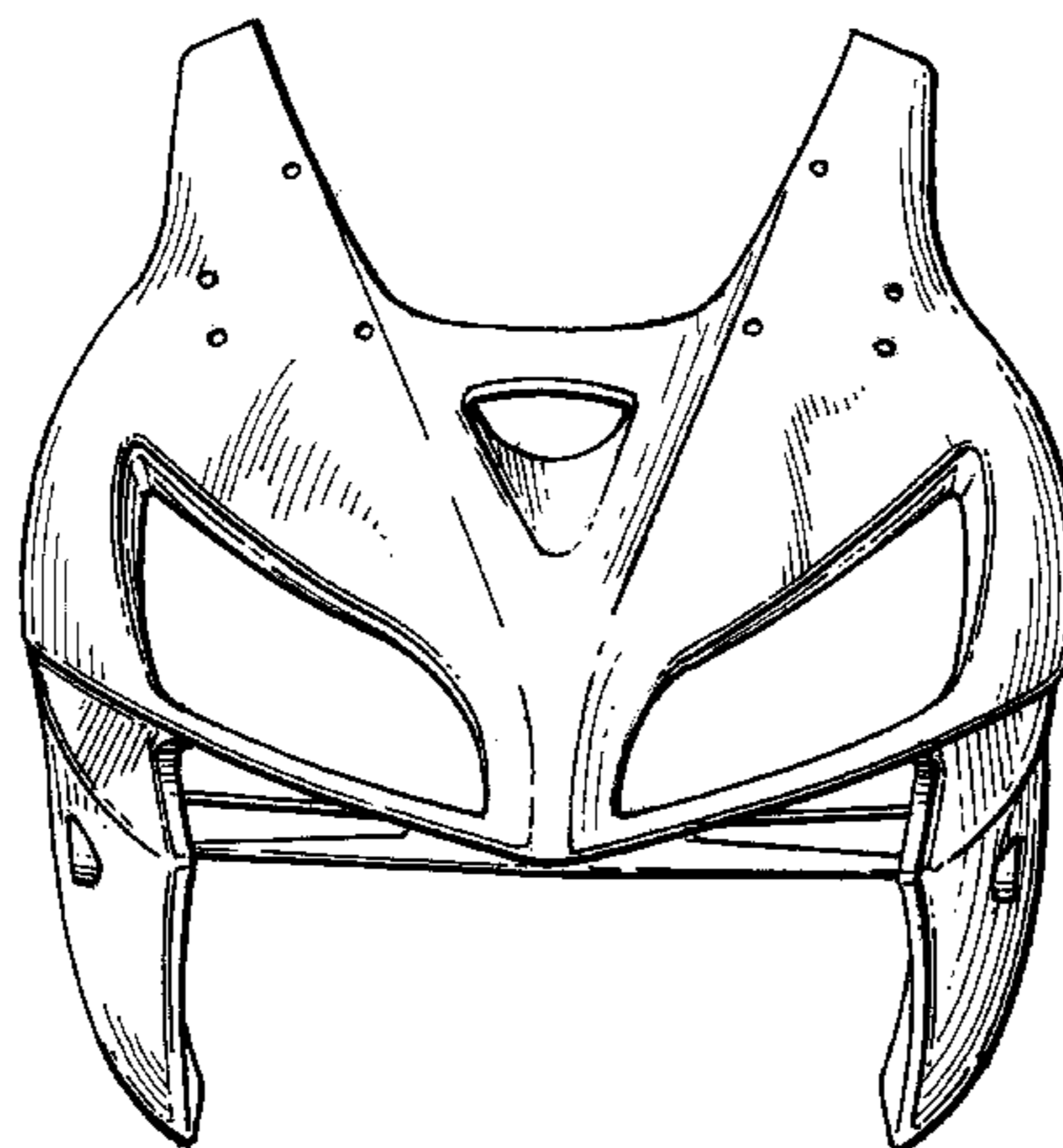
(56) **References Cited**

**U.S. PATENT DOCUMENTS**

4,709,774 A \* 12/1987 Saito et al. .... 180/229

D455,687 S \* 4/2002 Nakazawa et al. .... D12/182

**1 Claim, 5 Drawing Sheets**



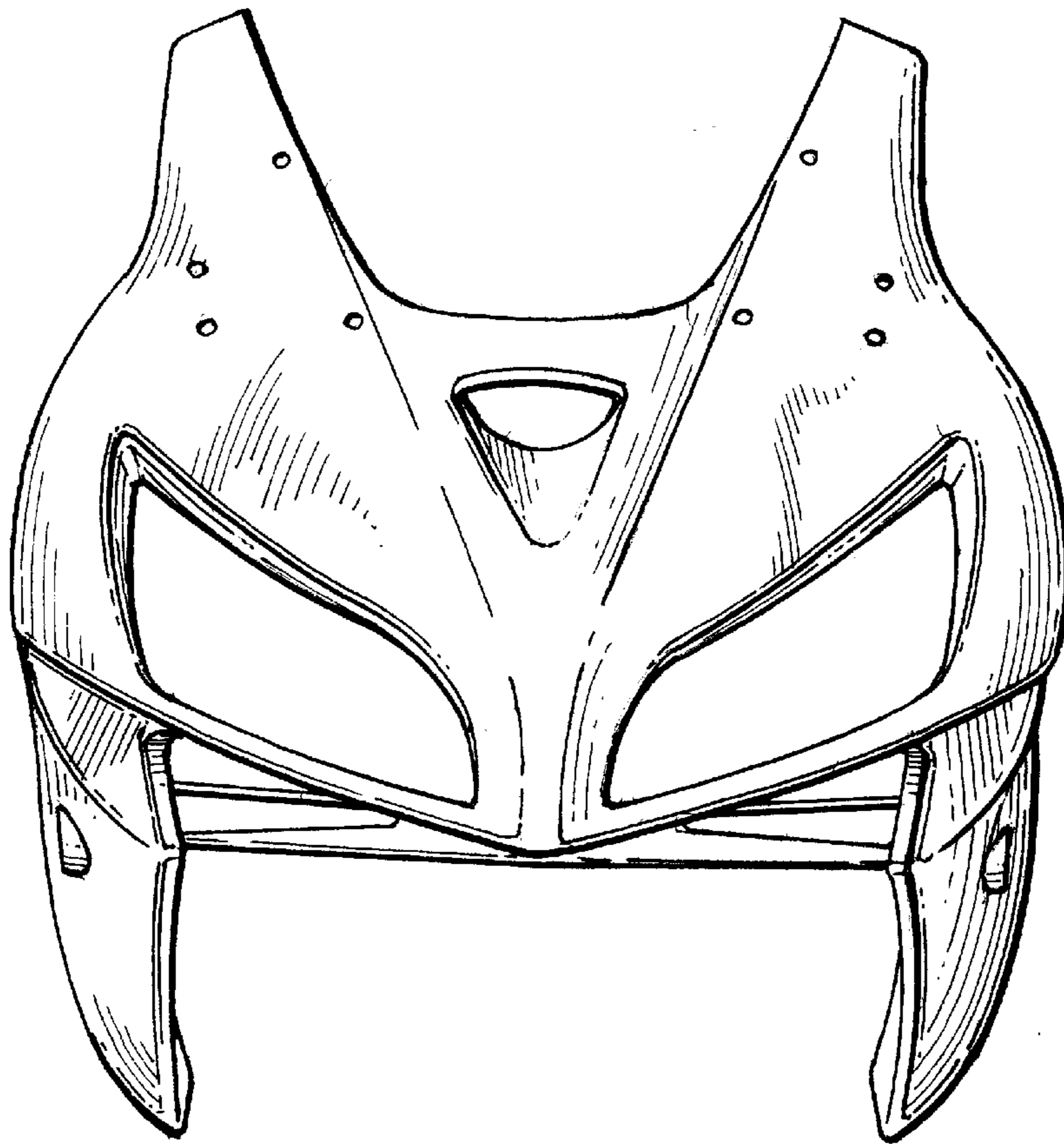


FIG. 1

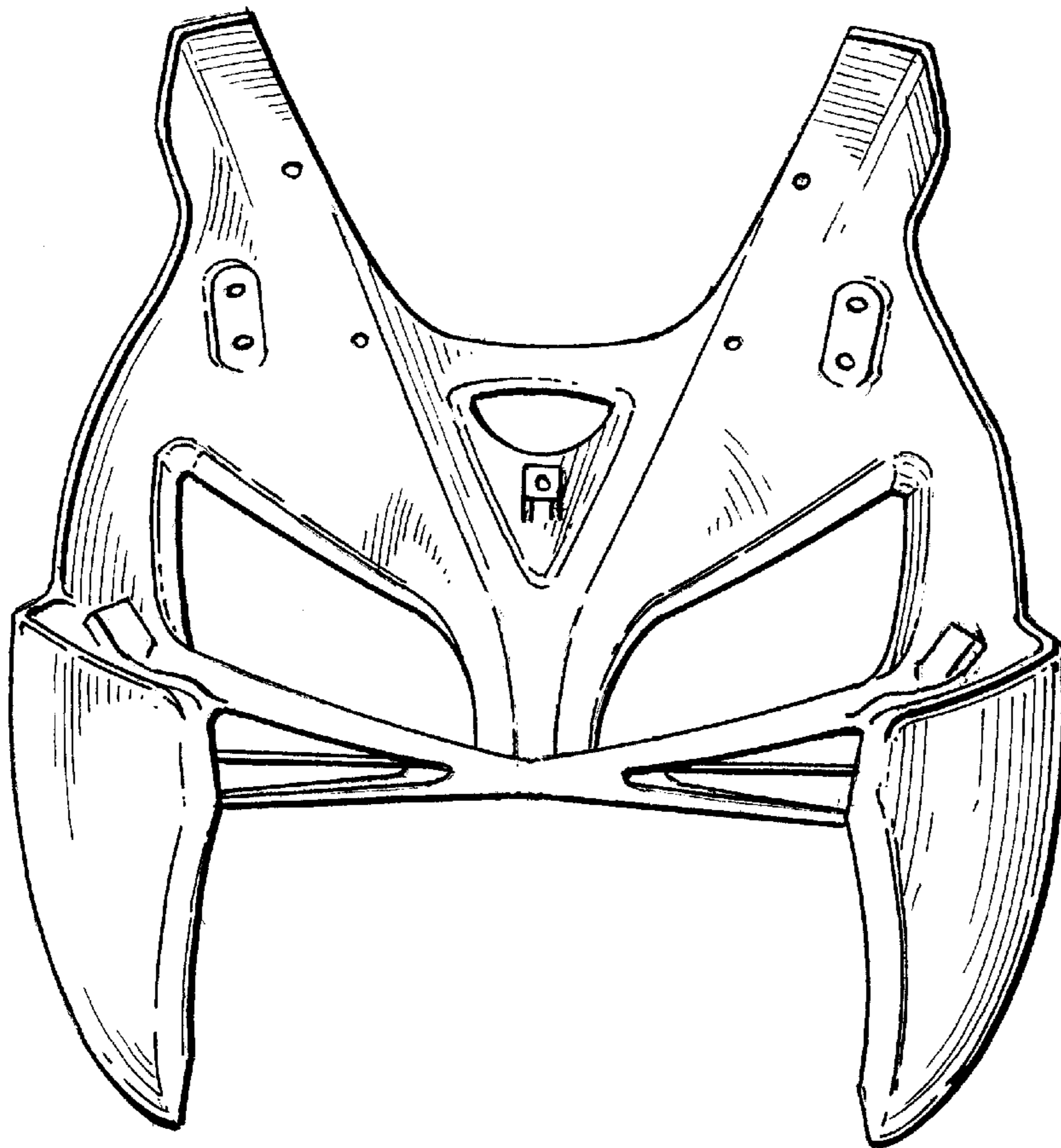


FIG. 2

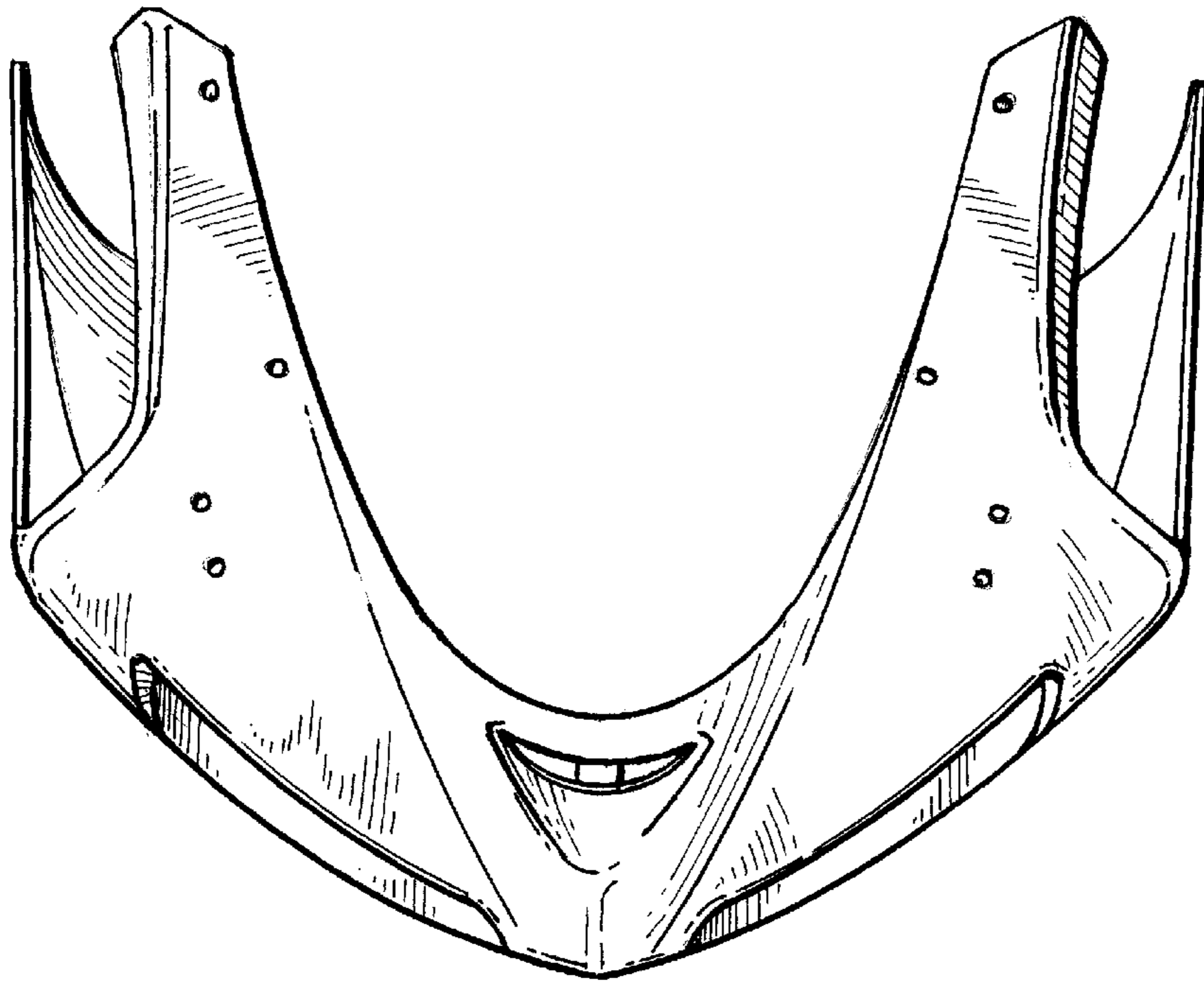


FIG. 3

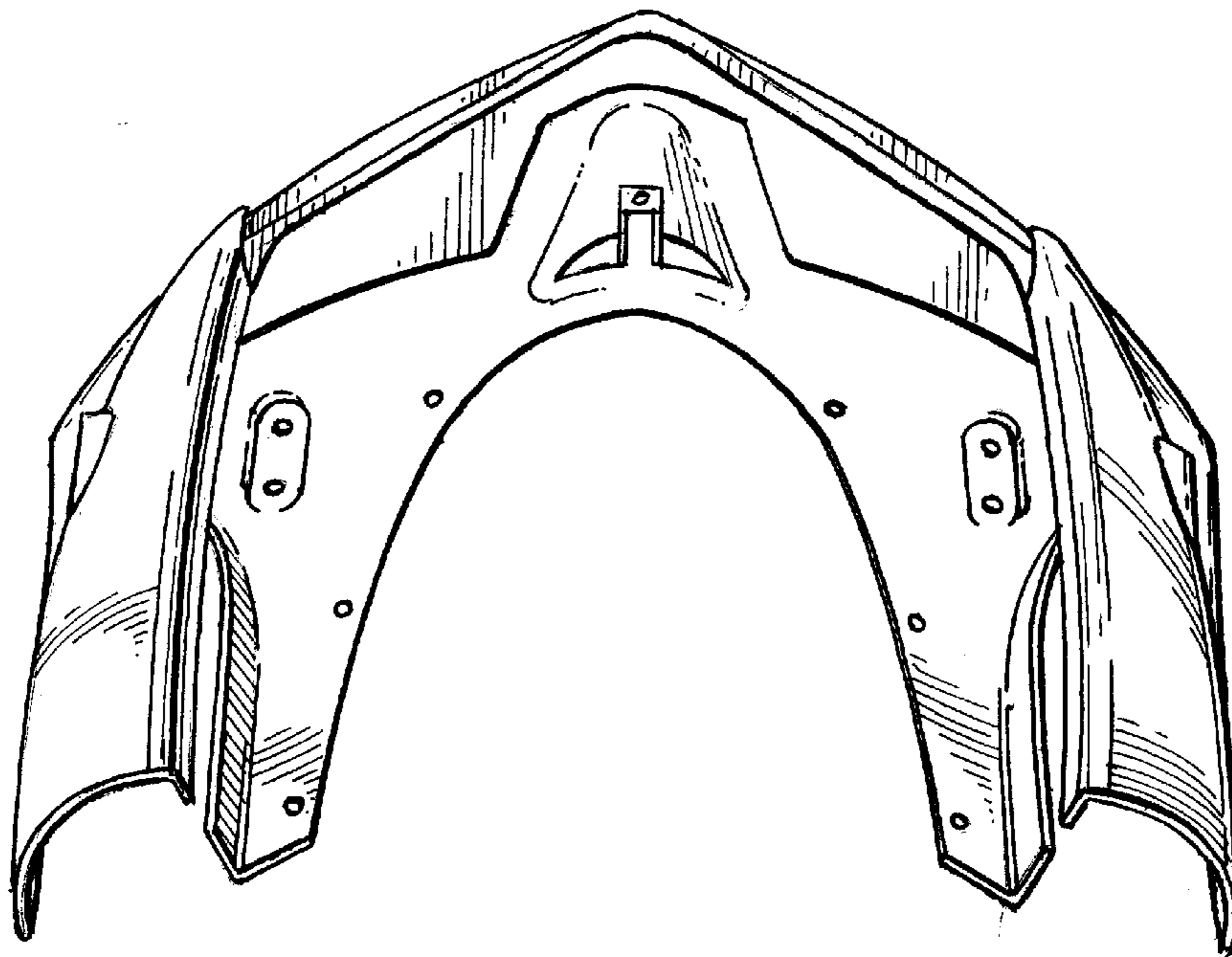


FIG. 4

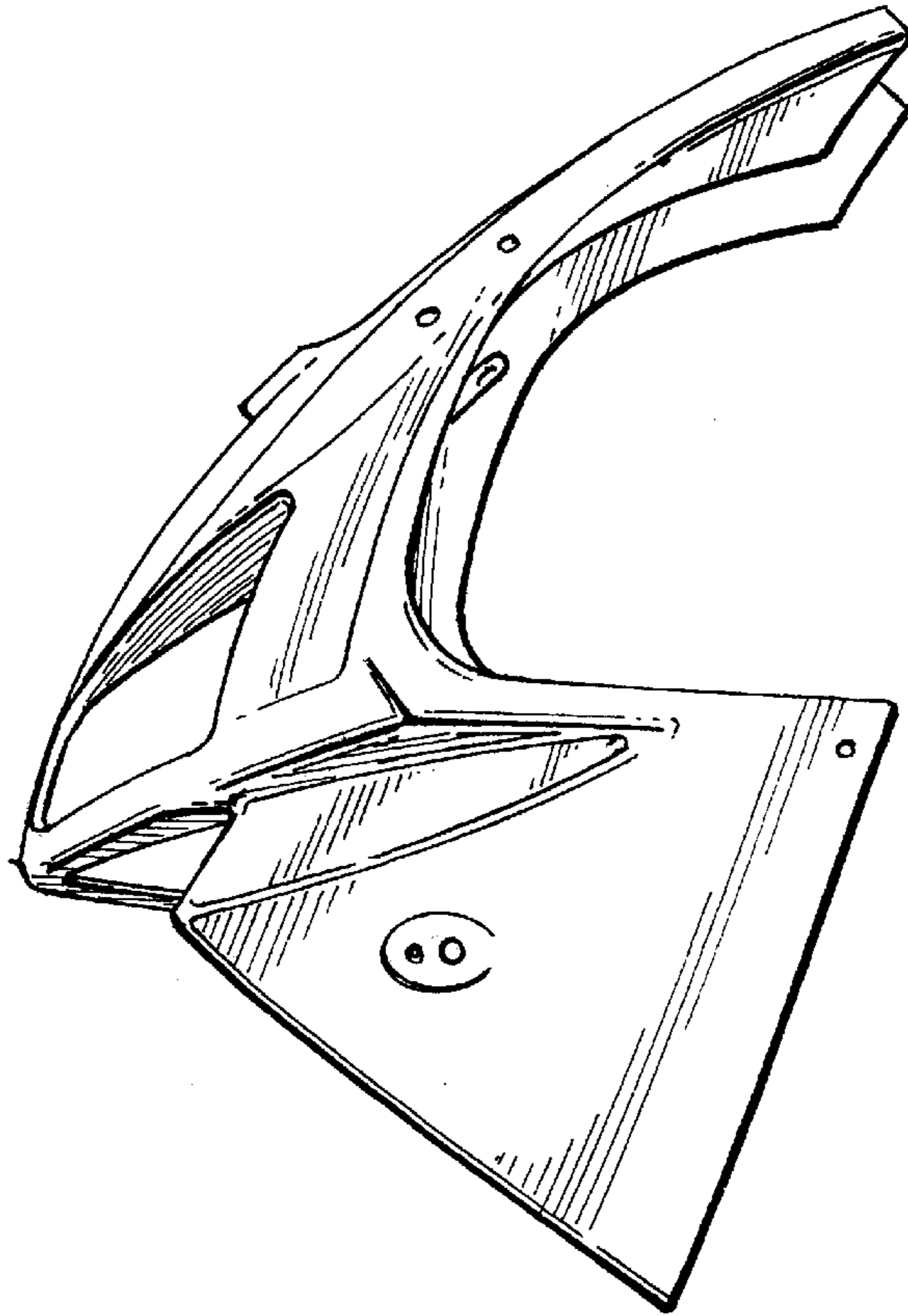


FIG. 5

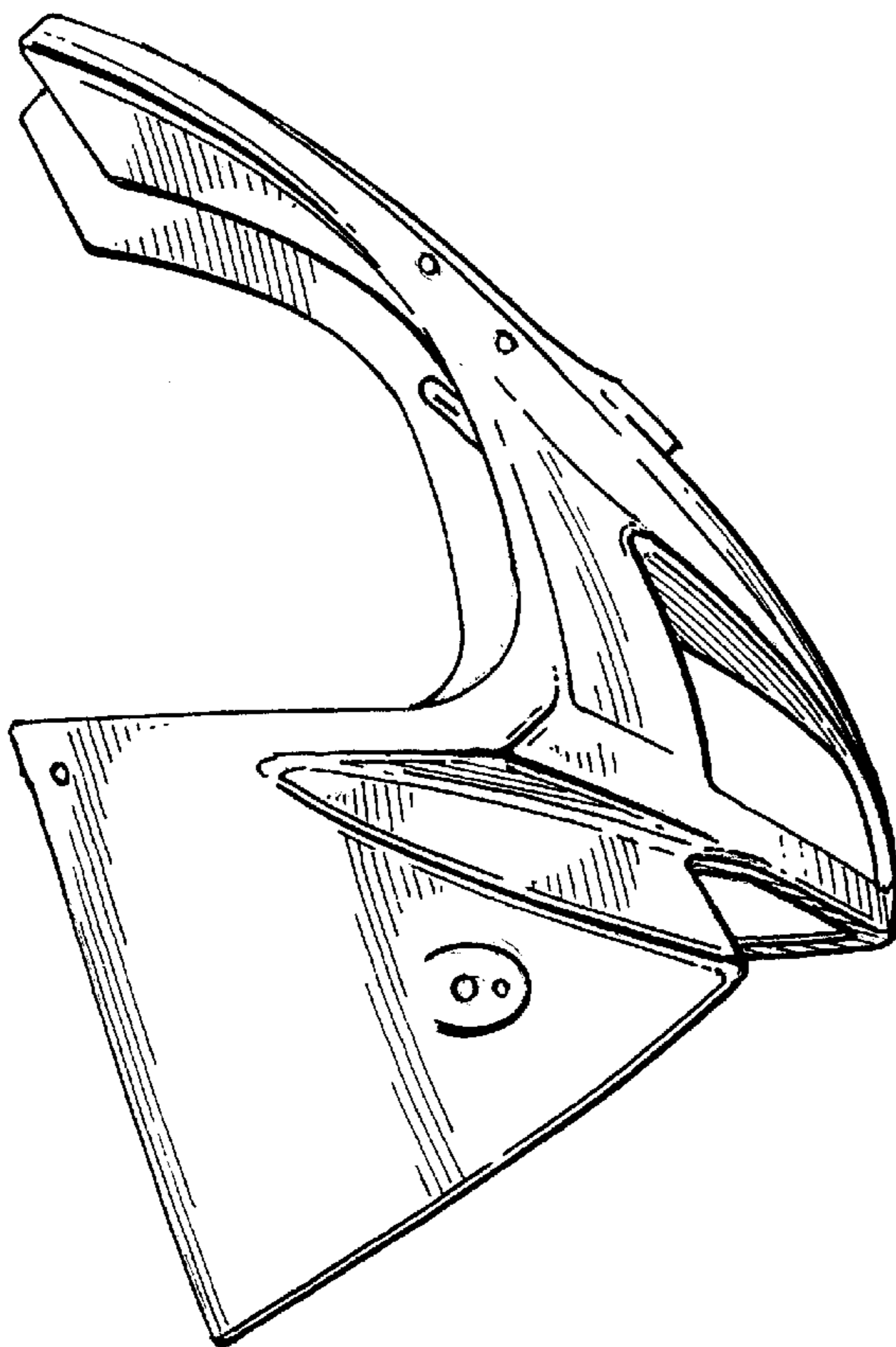


FIG. 6

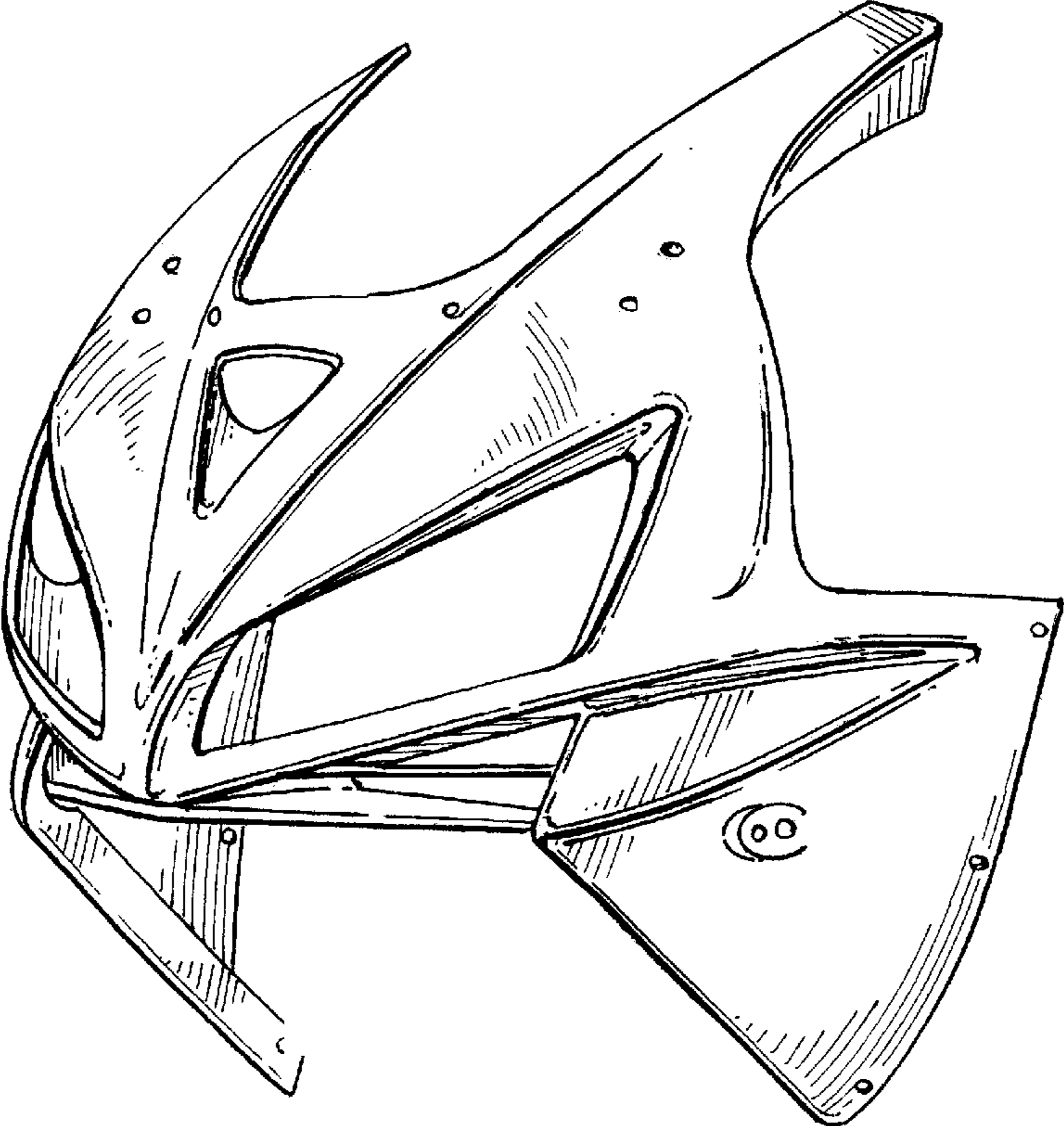


FIG. 7

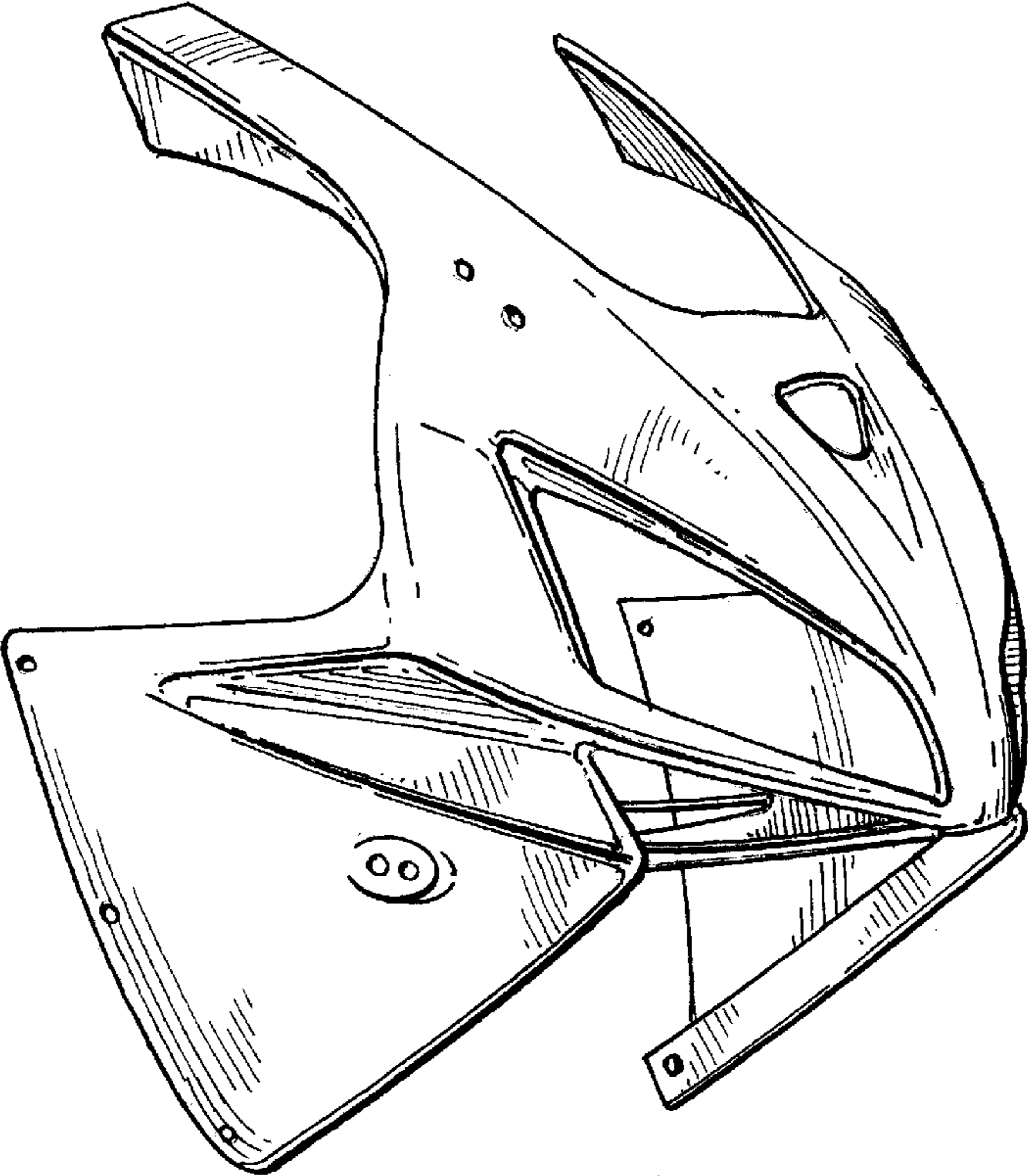


FIG. 8

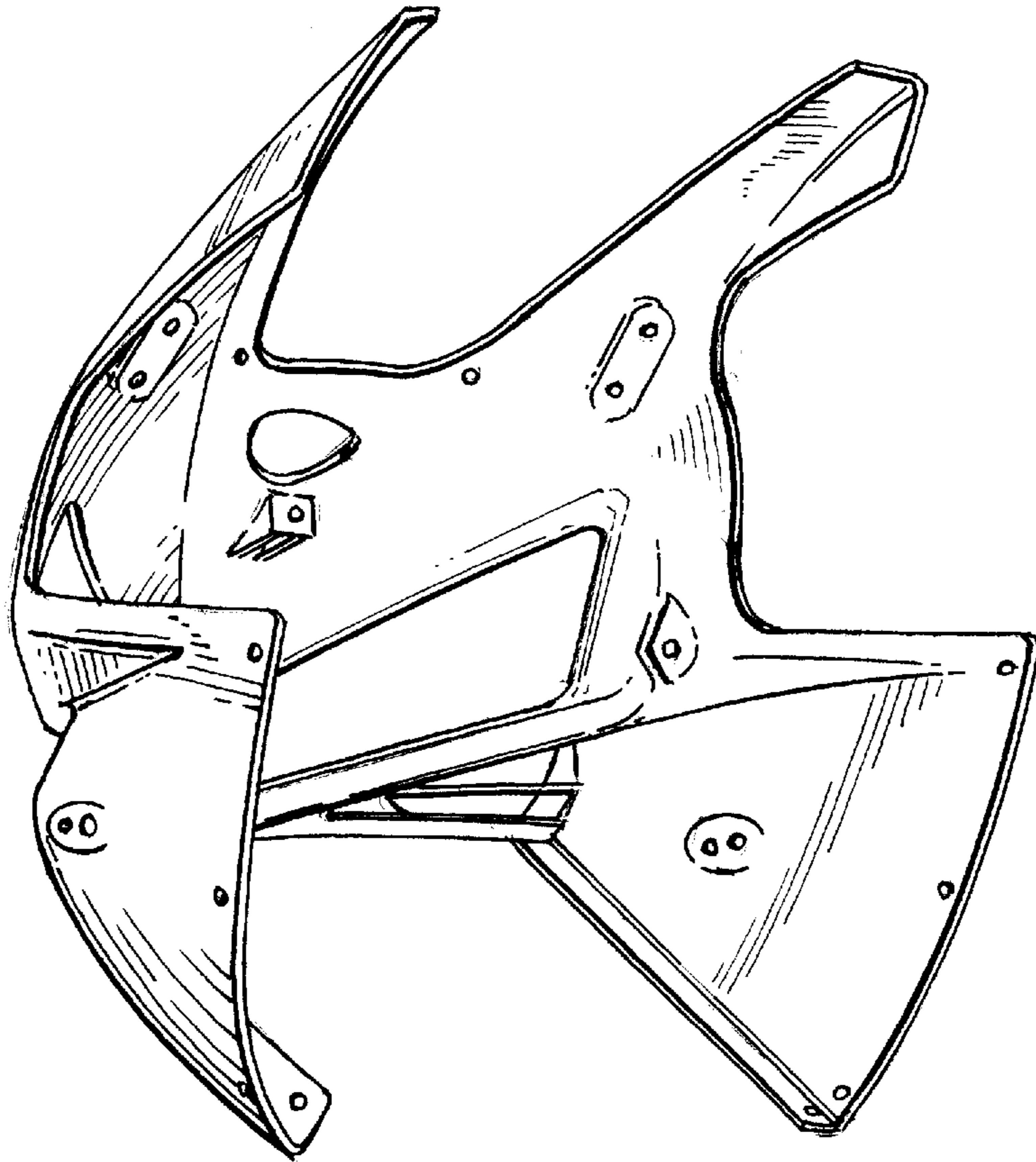


FIG. 9

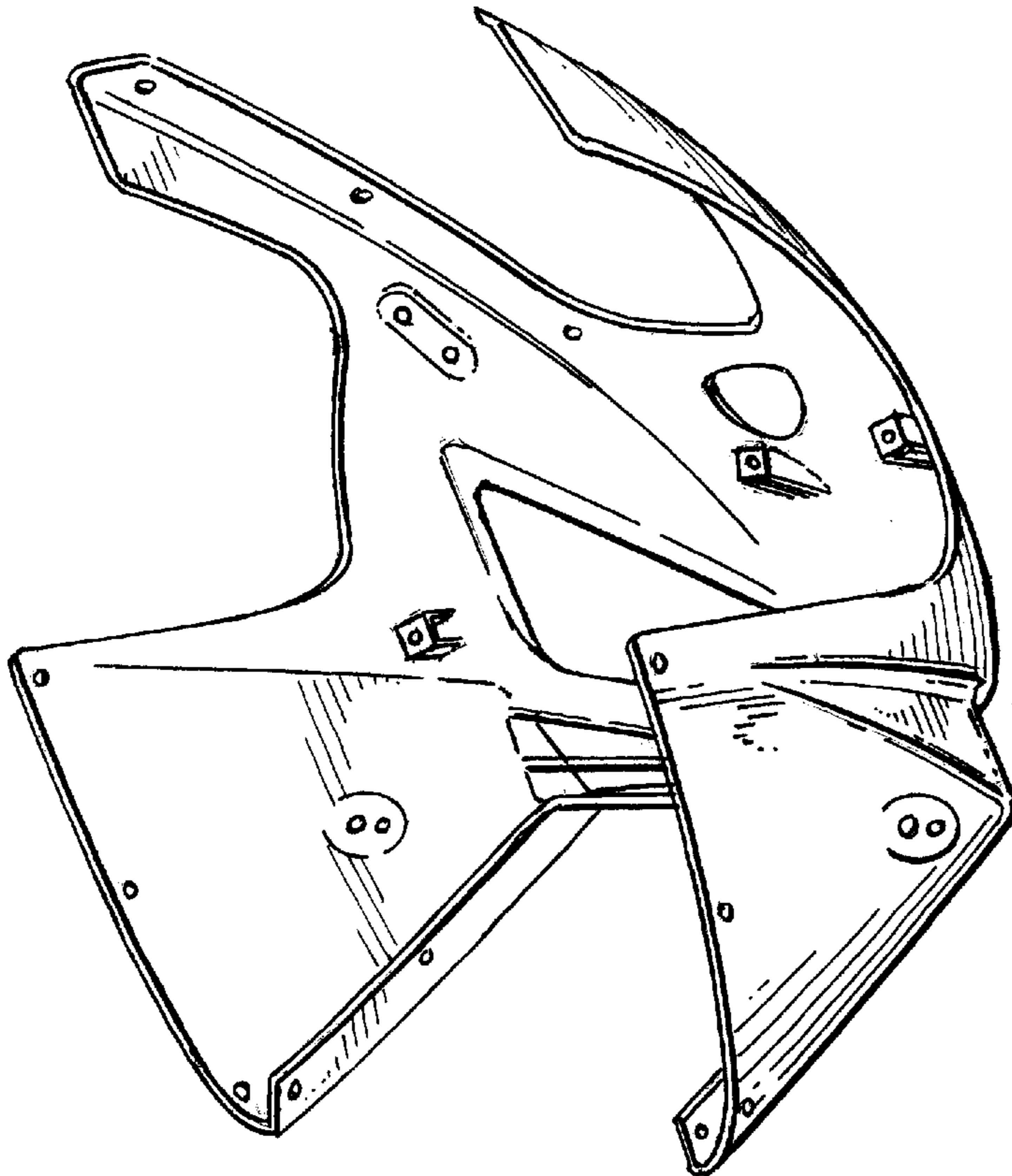


FIG. 10