



US00D515484S

(12) **United States Design Patent** (10) **Patent No.:** **US D515,484 S**  
**Winkler et al.** (45) **Date of Patent:** **\*\* Feb. 21, 2006**

(54) **BRAKE CALIPER COVER FOR AN AUTOMOBILE**

(75) Inventors: **Vance Winkler**, Trotwood, OH (US);  
**Merle T. Brumfield**, Tipp City, OH (US); **Carol Gardner**, Lewisburg, OH (US)

D397,968 S 9/1998 Stahel  
D417,178 S 11/1999 Gallagher  
D458,199 S 6/2002 Demoise, Jr. et al.  
D468,242 S 1/2003 Iida  
D468,243 S 1/2003 Iida  
D476,275 S \* 6/2003 Winkler et al. .... D12/180  
D490,349 S \* 5/2004 Brock et al. .... D12/180

(73) Assignee: **Harco Industries, Inc.**, Englewood, OH (US)

\* cited by examiner

(\*\*) Term: **14 Years**

*Primary Examiner*—Melody N. Brown  
(74) *Attorney, Agent, or Firm*—Jacox, Meckstroth & Jenkins

(21) Appl. No.: **29/207,734**

(57) **CLAIM**

(22) Filed: **Jun. 17, 2004**

The ornamental design of a brake caliper cover for an automobile, as shown and described.

(51) **LOC (8) Cl.** ..... **12-16**

(52) **U.S. Cl.** ..... **D12/180**

(58) **Field of Classification Search** ..... D12/180;  
188/73.3, 73.1–73.39, 73.43, 73.45, 218 XL,  
188/1.11 W; 192/70.17, 70.2

**DESCRIPTION**

See application file for complete search history.

FIG. 1 is a perspective view of a brake caliper cover for an automobile, showing our new design;  
FIG. 2 is a top view thereof;  
FIG. 3 is a front view thereof;  
FIG. 4 is a rear view thereof;  
FIG. 5 is a bottom view thereof; and,  
FIG. 6 is a view of one end thereof.

(56) **References Cited**

**U.S. PATENT DOCUMENTS**

D291,189 S 8/1987 Stahel  
5,538,105 A 7/1996 Rike  
D378,363 S 3/1997 Sin

**1 Claim, 2 Drawing Sheets**

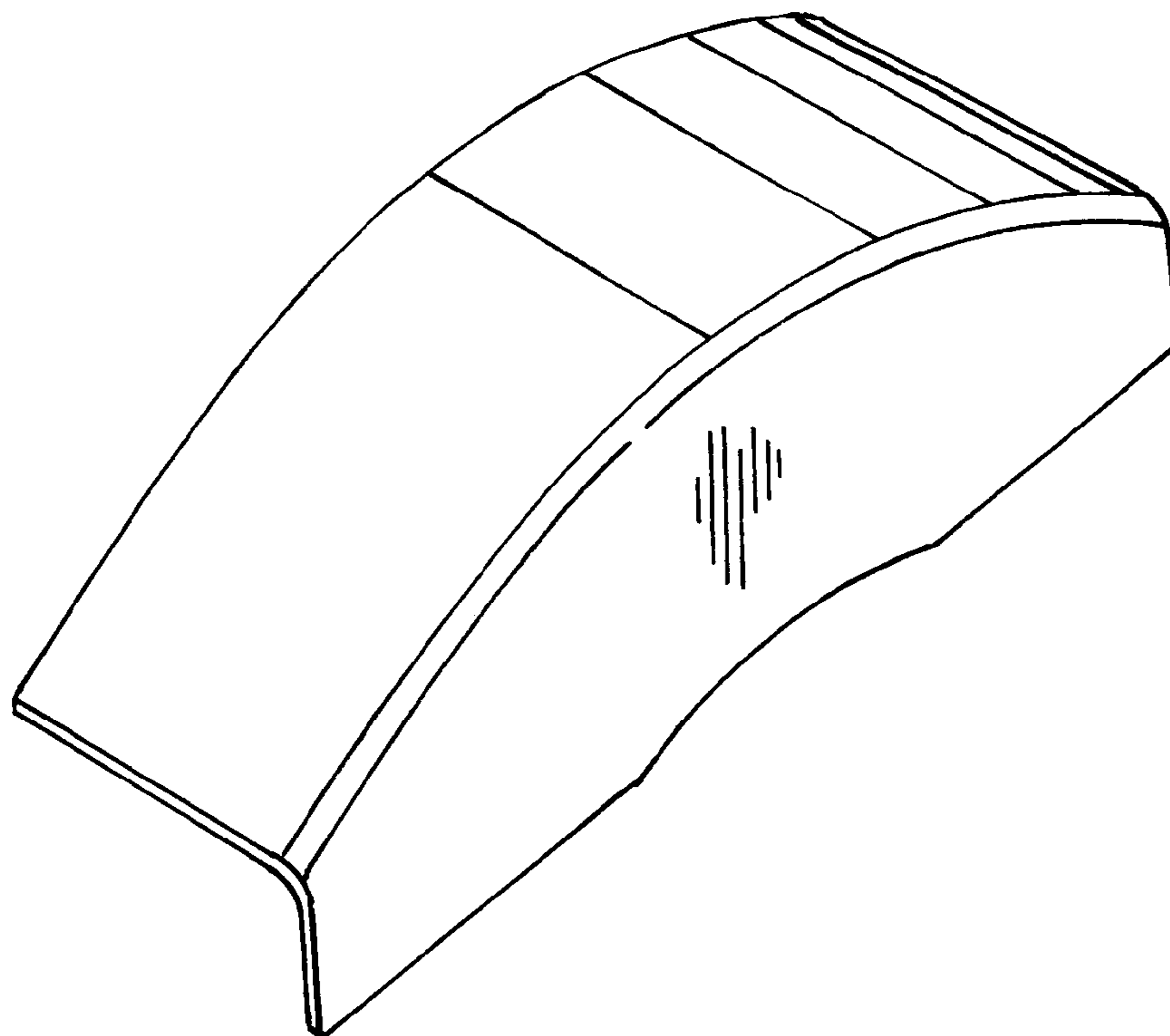


FIG-1

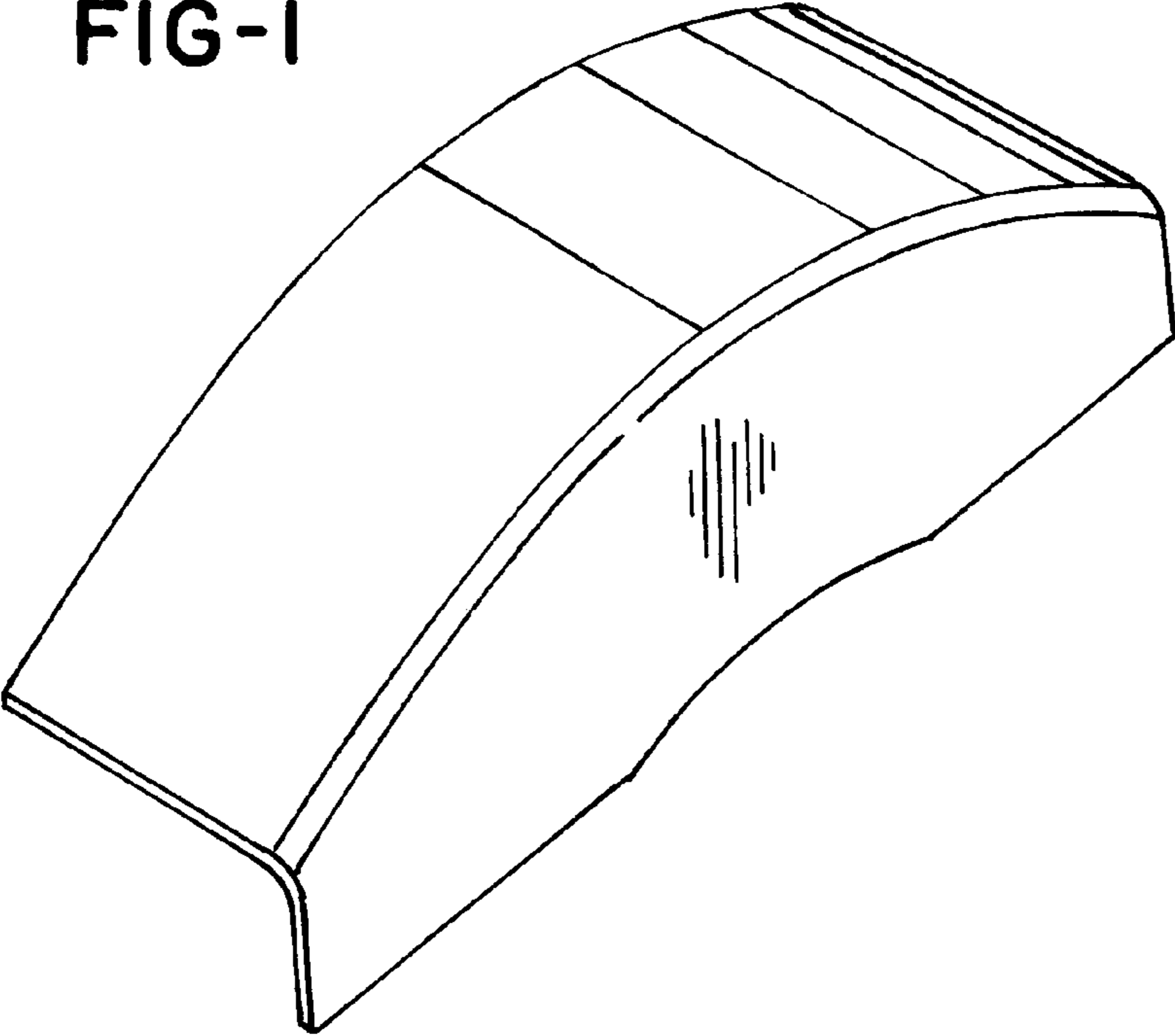


FIG-2

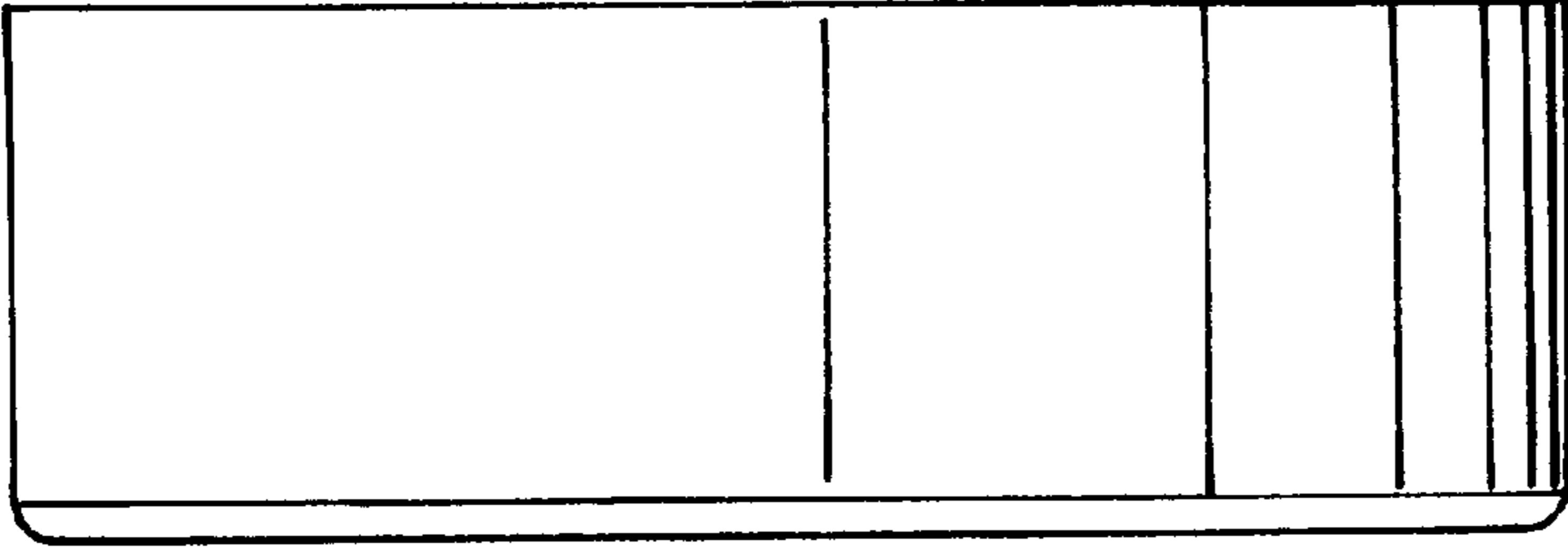


FIG-3

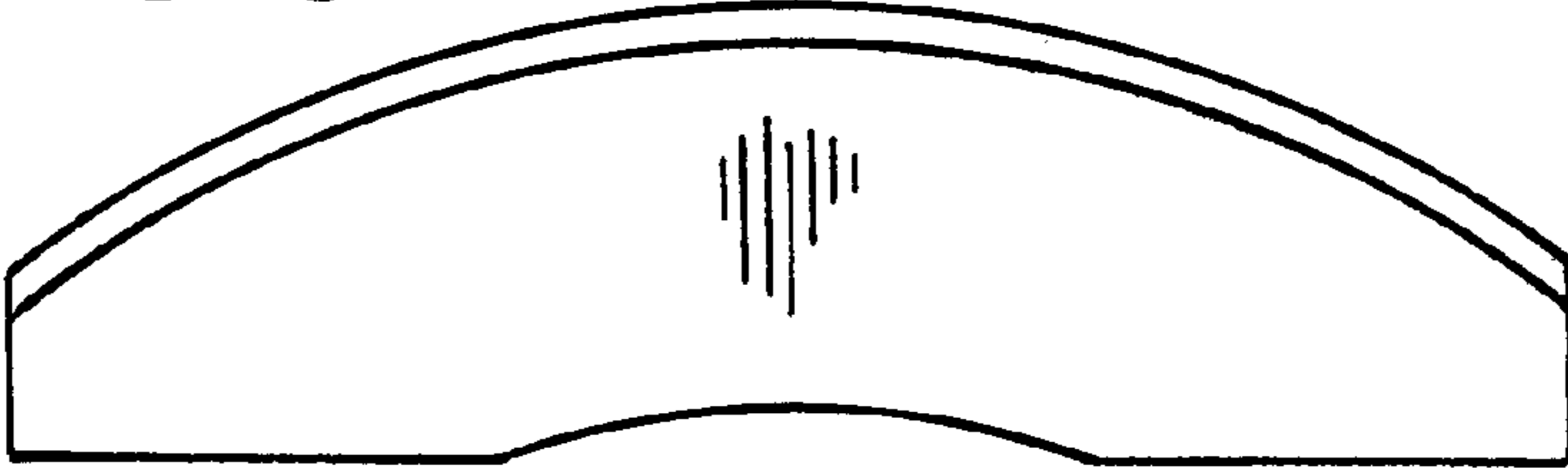


FIG-4

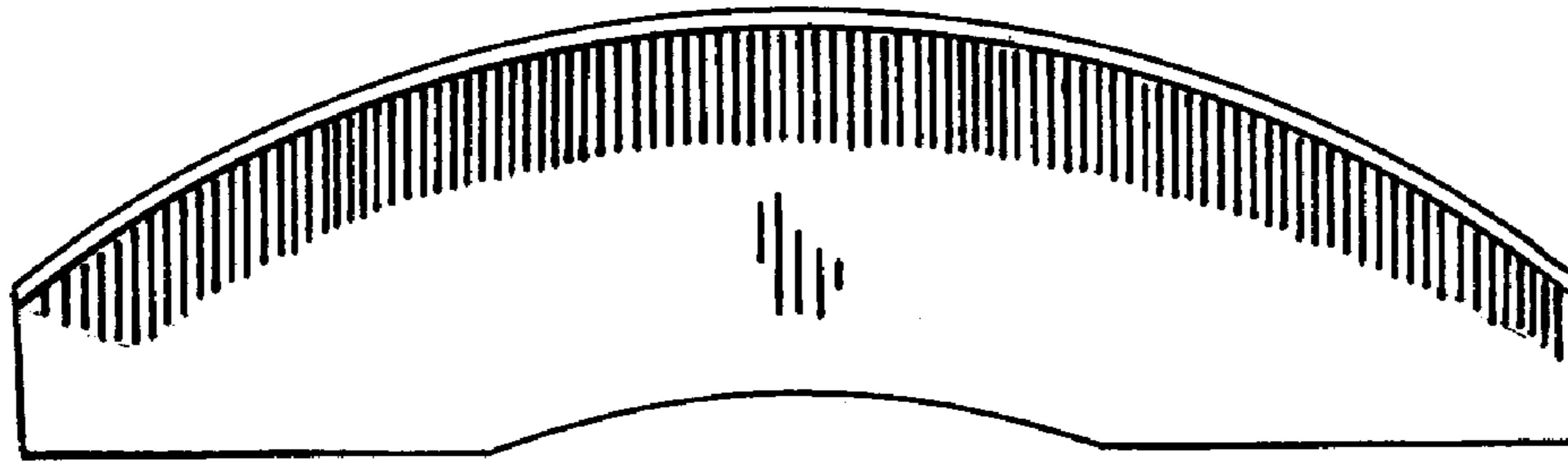


FIG-5

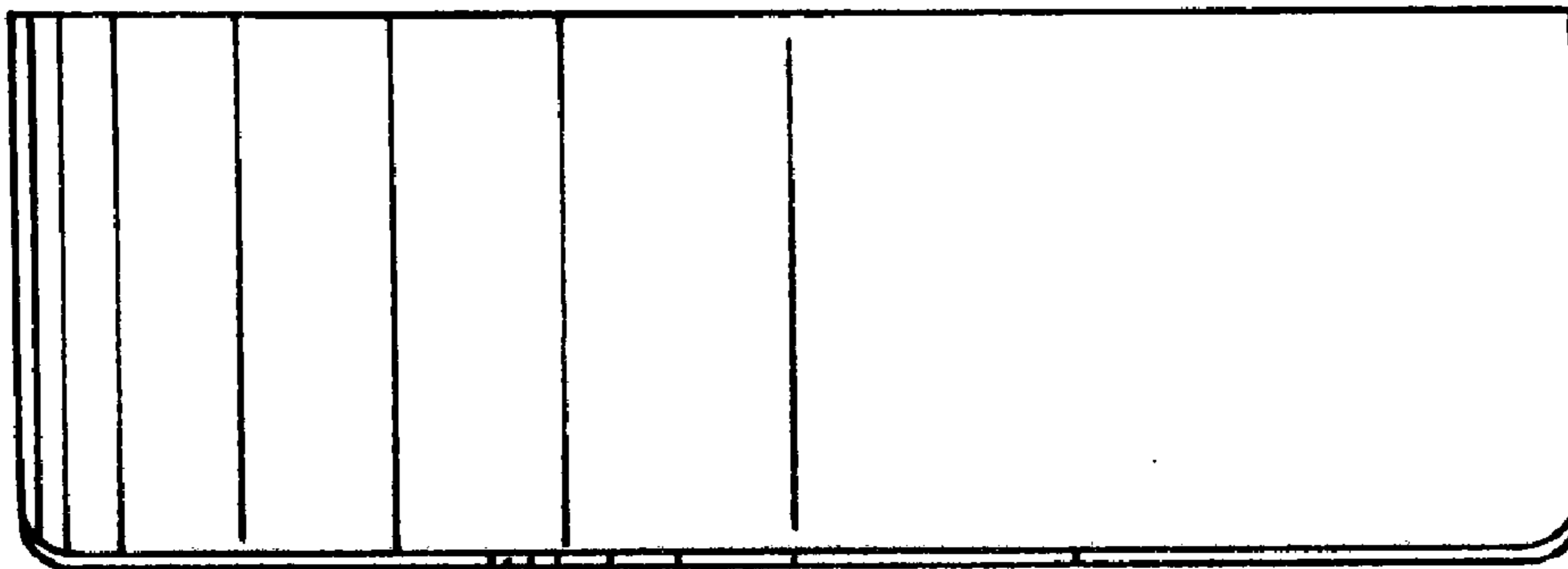


FIG-6

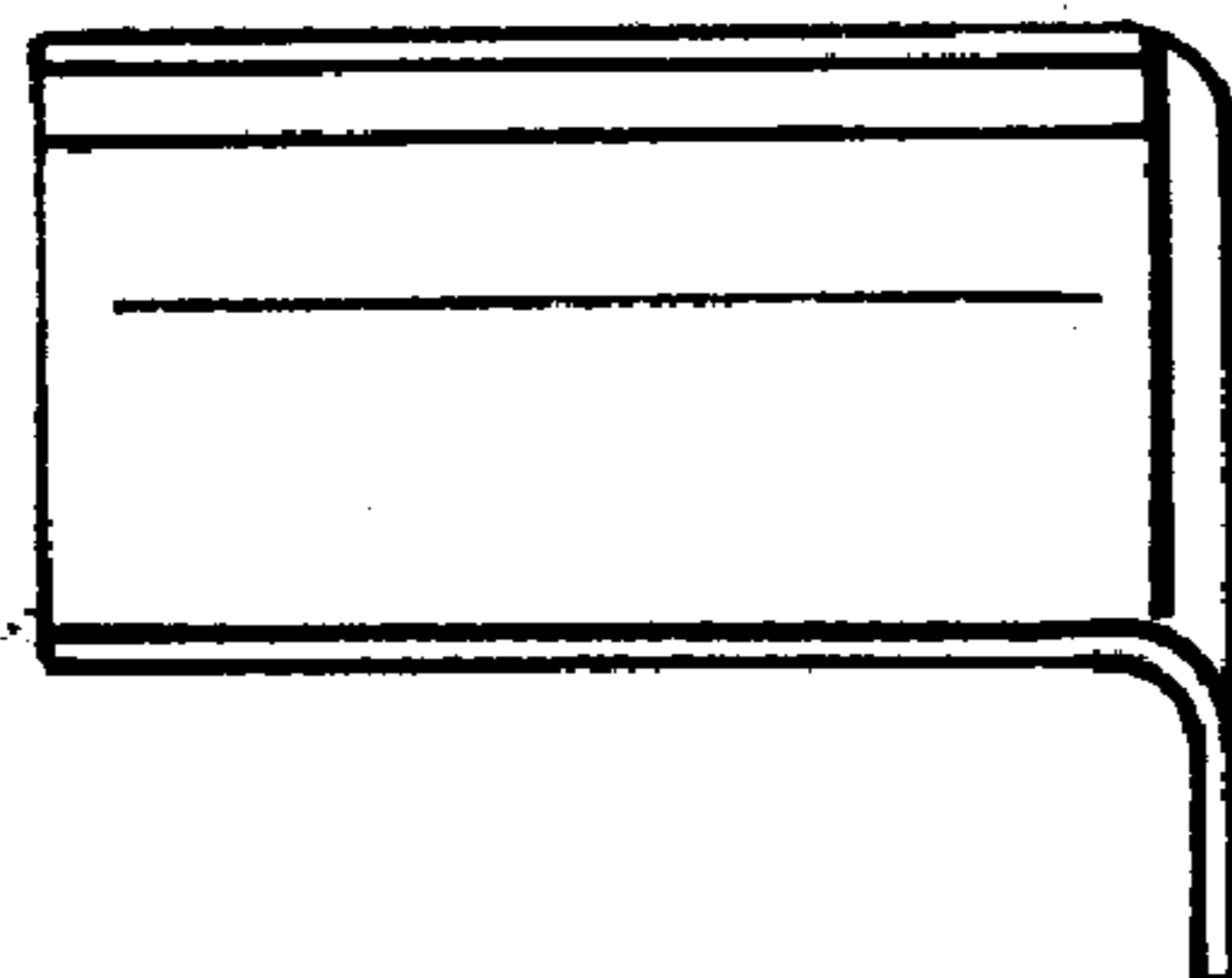


FIG-7

