



US00D515476S

(12) **United States Design Patent**
Endo

(10) **Patent No.:** **US D515,476 S**
(45) **Date of Patent:** **** Feb. 21, 2006**

(54) **FRONT BUMPER FOR AN AUTOMOBILE**

(75) Inventor: **Tetsu Endo**, Aichi-ken (JP)
(73) Assignee: **Toyota Jidosha Kabushiki Kaisha** (JP)
(**) Term: **14 Years**

(21) Appl. No.: **29/220,545**
(22) Filed: **Dec. 30, 2004**

(51) **LOC (8) Cl.** **12-16**
(52) **U.S. Cl.** **D12/169**
(58) **Field of Classification Search** D12/90-92,
D12/86, 169, 196, 163; 296/180.1, 180.2;
293/102, 113, 115, 117, 120
See application file for complete search history.

(56) **References Cited**

U.S. PATENT DOCUMENTS

D481,657 S * 11/2003 Chan D12/169
D499,362 S * 12/2004 Minami et al. D12/169
D499,675 S * 12/2004 Sasaki et al. D12/169
D502,899 S * 3/2005 Mino et al. D12/169

OTHER PUBLICATIONS

Fuji Heavy Industries Ltd, Legacy B4 2003, Automotive Guidebook of Japan, p. 79, Oct. 22, 2003.

* cited by examiner

Primary Examiner—Melody N. Brown
(74) *Attorney, Agent, or Firm*—SAIDMAN DesignLaw Group

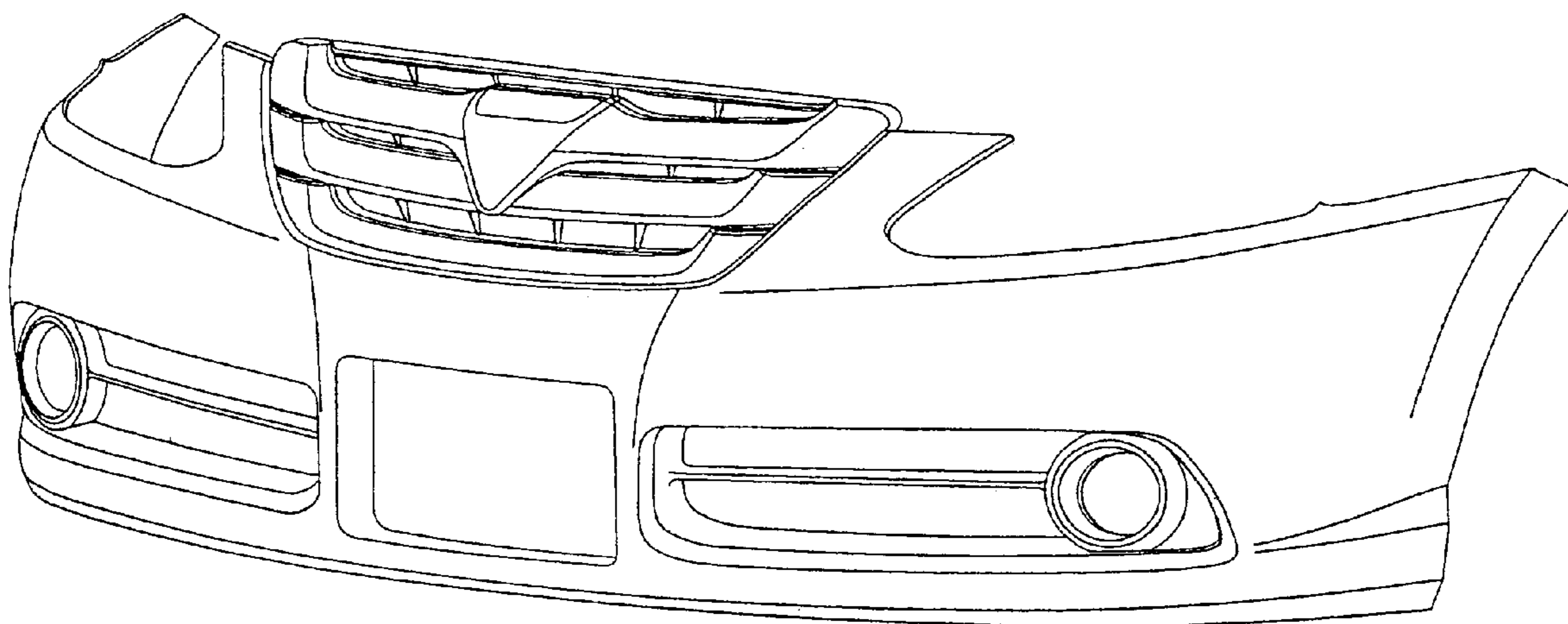
(57) **CLAIM**

The ornamental design for a front bumper for an automobile, as shown and described.

DESCRIPTION

FIG. 1 is a front perspective view of a front bumper for an automobile showing my new design;
FIG. 2 is a front view thereof;
FIG. 3 is a rear view thereof;
FIG. 4 is a top view thereof;
FIG. 5 is a bottom view thereof; and,
FIG. 6 is a right-side view thereof.

1 Claim, 4 Drawing Sheets



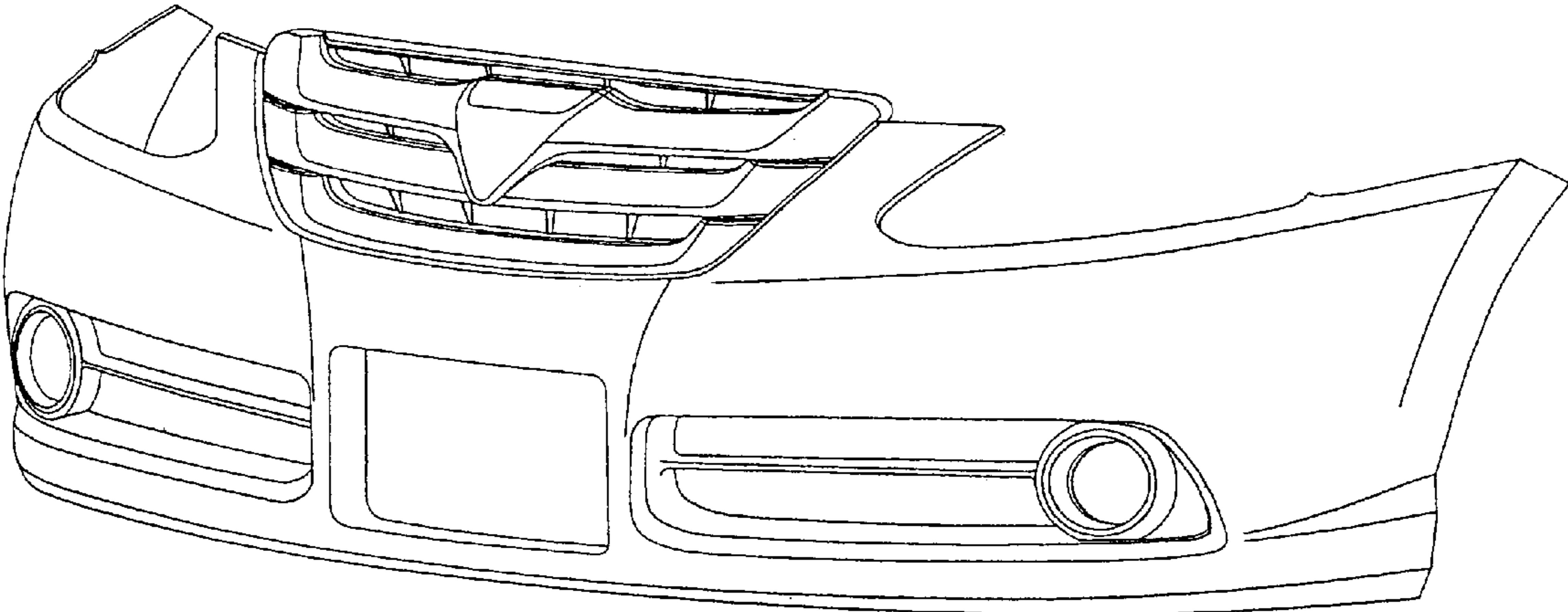


FIG. 1

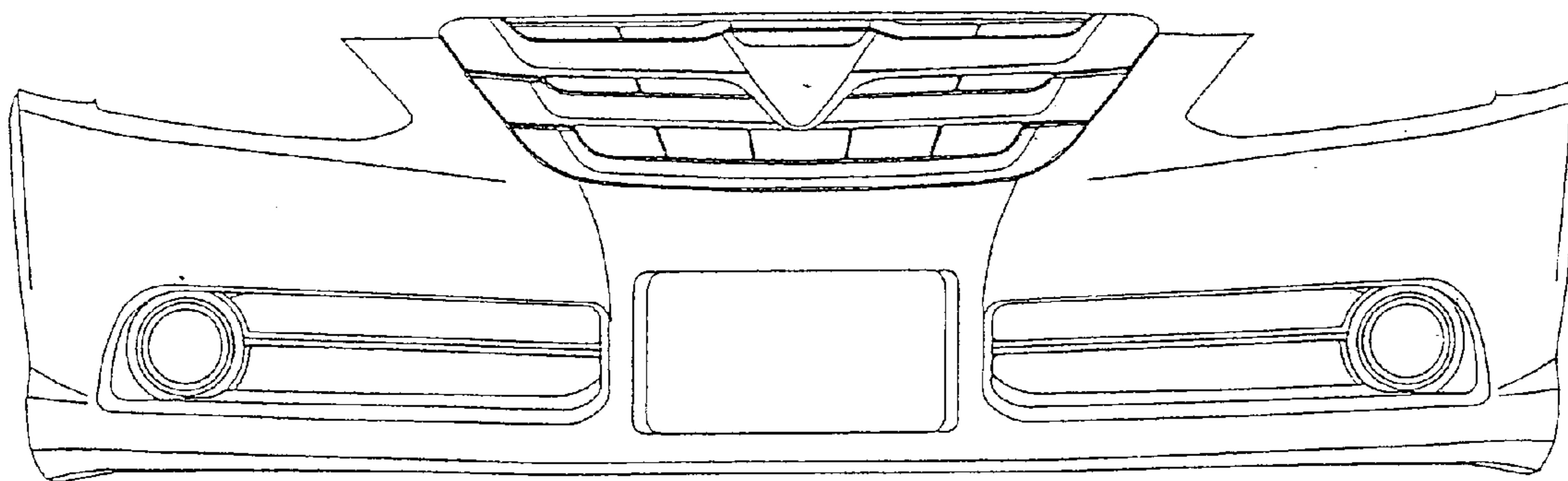


FIG. 2

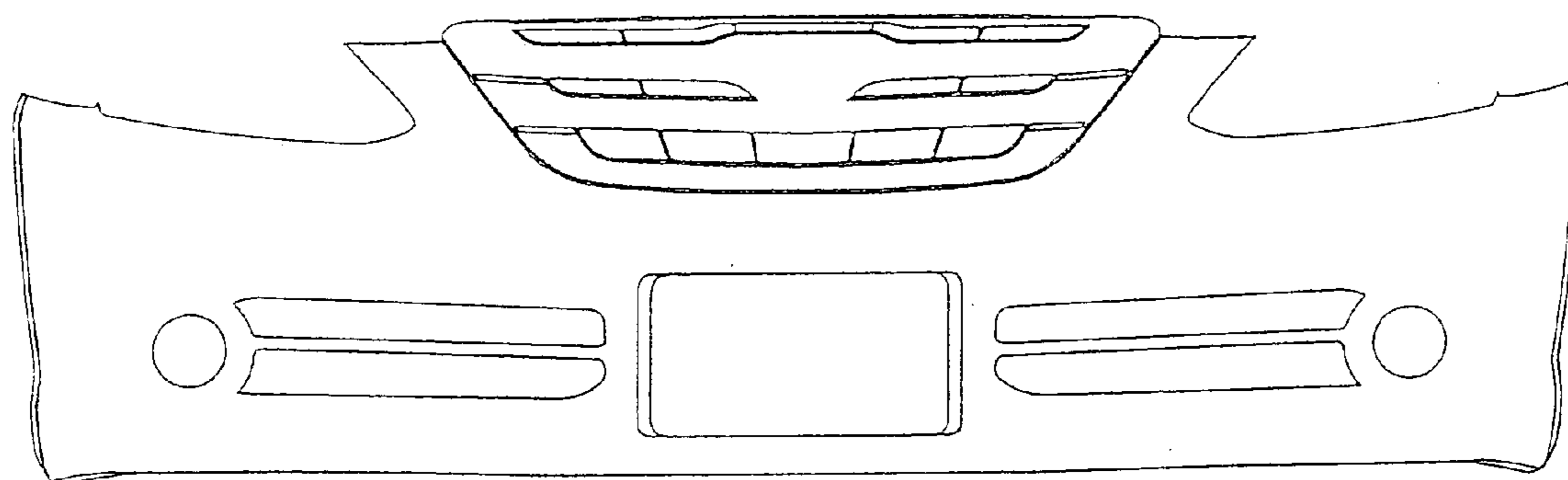


FIG. 3

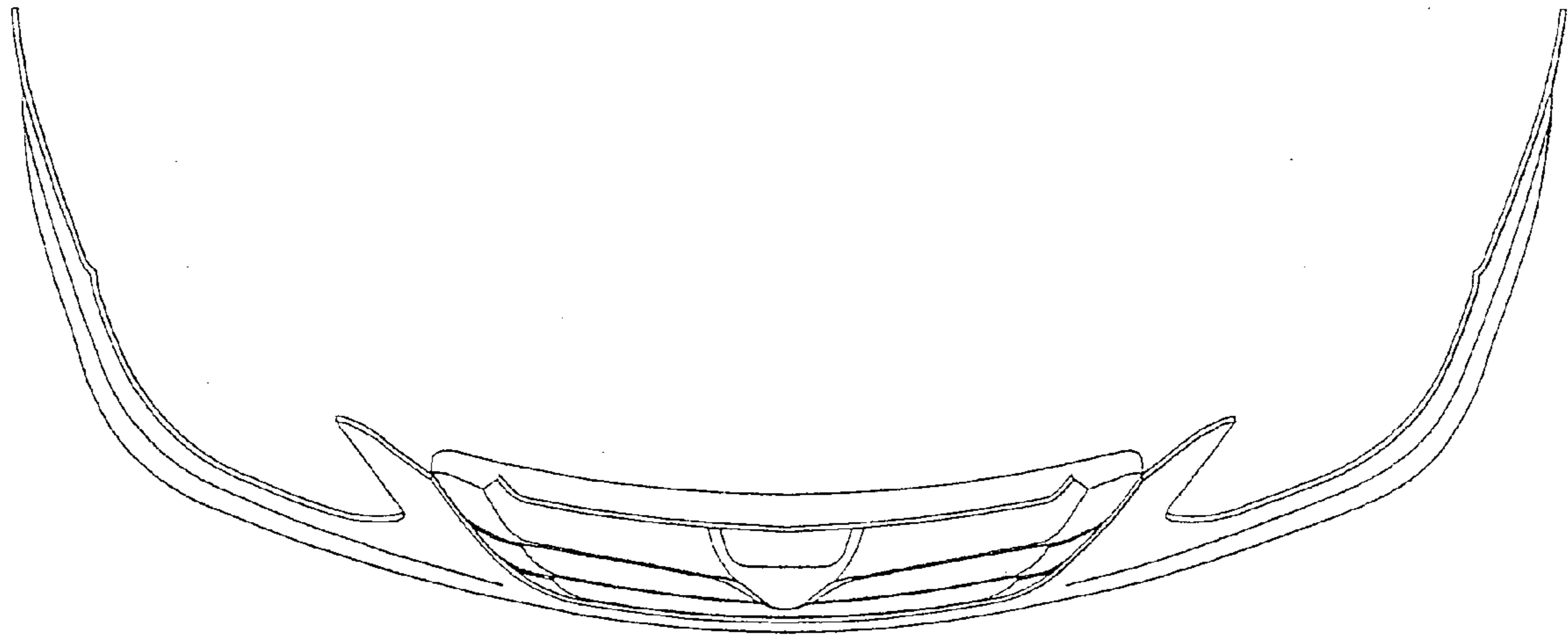


FIG. 4

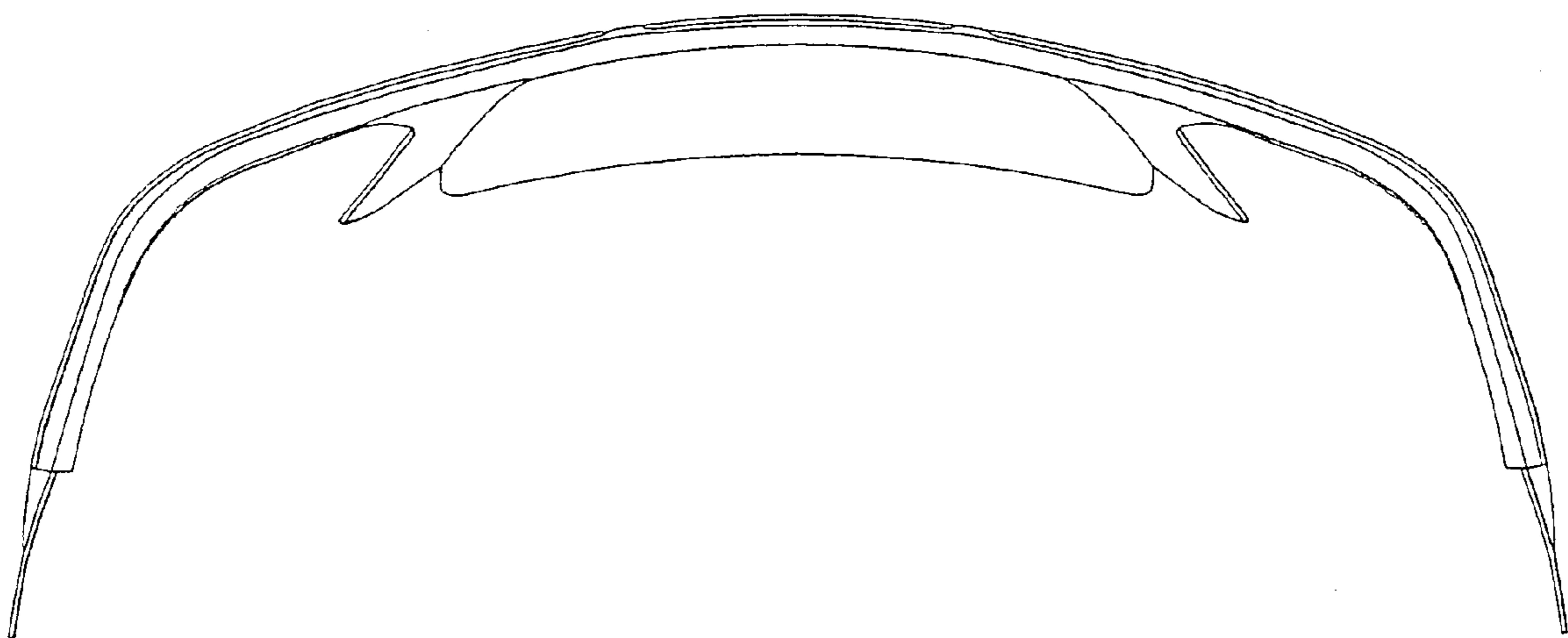


FIG. 5

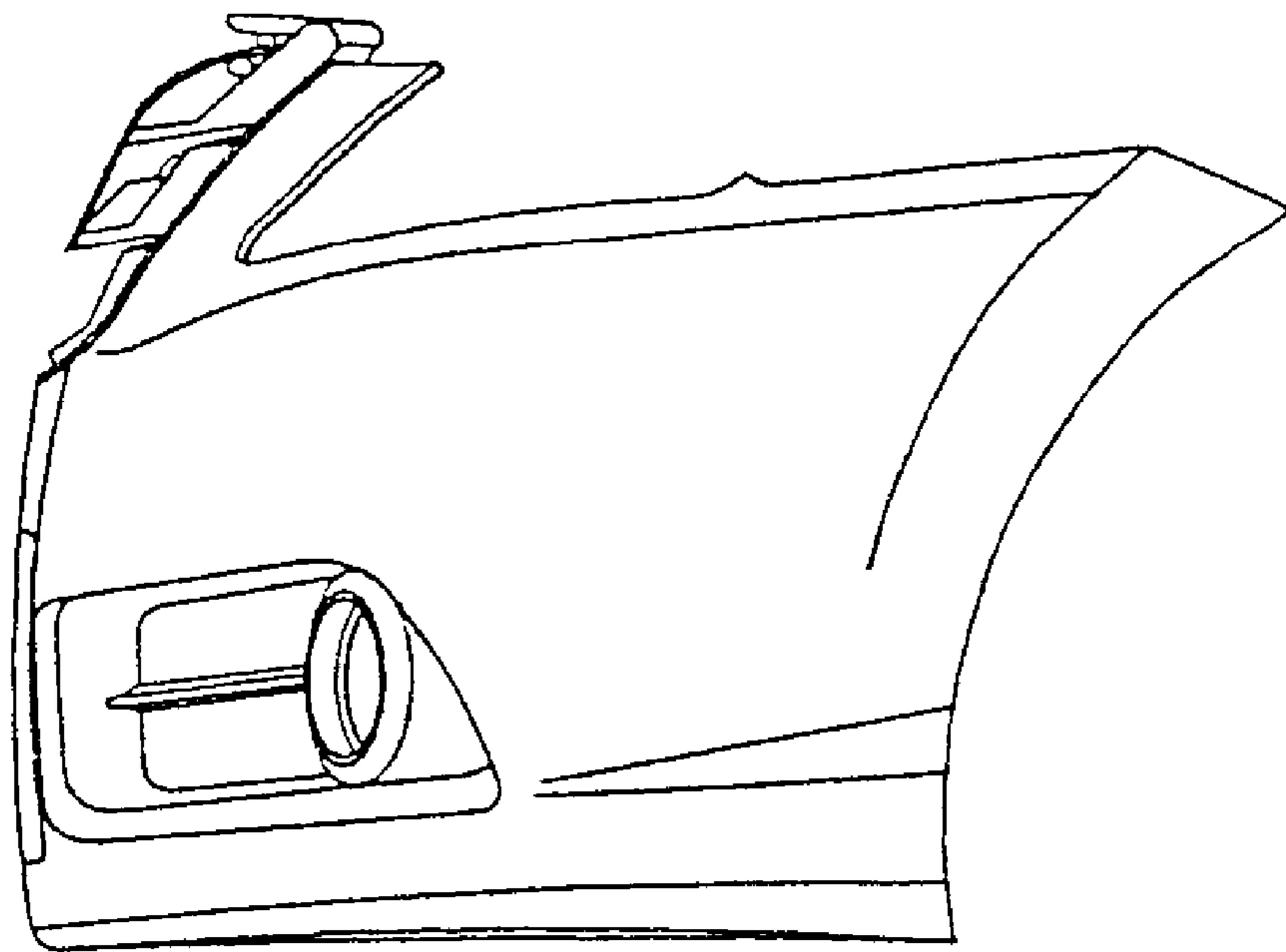


FIG. 6