



US00D515470S

(12) **United States Design Patent**  
**Sroufe et al.**

(10) **Patent No.:** **US D515,470 S**  
(45) **Date of Patent:** **\*\* Feb. 21, 2006**

(54) **MOTORCYCLE FRAME**

(76) Inventors: **Darren Sroufe**, 525 S. Runnymede Ave., Evansville, Vanderburgh County, IN (US) 47701; **Eric D. Spencer**, 525 S. Runnymede Ave., Evansville, Vanderburgh County, IN (US) 47701

(\*\*) **Term:** **14 Years**

(21) **Appl. No.:** **29/212,049**

(22) **Filed:** **Aug. 24, 2004**

(51) **LOC (8) Cl.** ..... **12-11**

(52) **U.S. Cl.** ..... **D12/110**

(58) **Field of Classification Search** ..... D12/110,  
D12/117; 180/219, 311, 312; 280/281.1,  
280/288.1-288.3

See application file for complete search history.

(56) **References Cited**

**U.S. PATENT DOCUMENTS**

5,480,001 A \* 1/1996 Hara ..... 180/311

D425,453 S \* 5/2000 Manescalchi ..... D12/110  
D480,664 S \* 10/2003 James ..... D12/110  
D492,917 S \* 7/2004 Pedersen ..... D12/110  
6,793,031 B1 \* 9/2004 Greene ..... 280/281.1

\* cited by examiner

*Primary Examiner*—Alan P. Douglas  
*Assistant Examiner*—Linda Brooks  
(74) *Attorney, Agent, or Firm*—Gary K. Price, Esq.

(57) **CLAIM**

The ornamental design for a motorcycle frame, as shown and described.

**DESCRIPTION**

FIG. 1 is a side view of a motorcycle frame showing our new design.

FIG. 2 is a top view thereof; and,

FIG. 3 is a front view thereof.

**1 Claim, 3 Drawing Sheets**

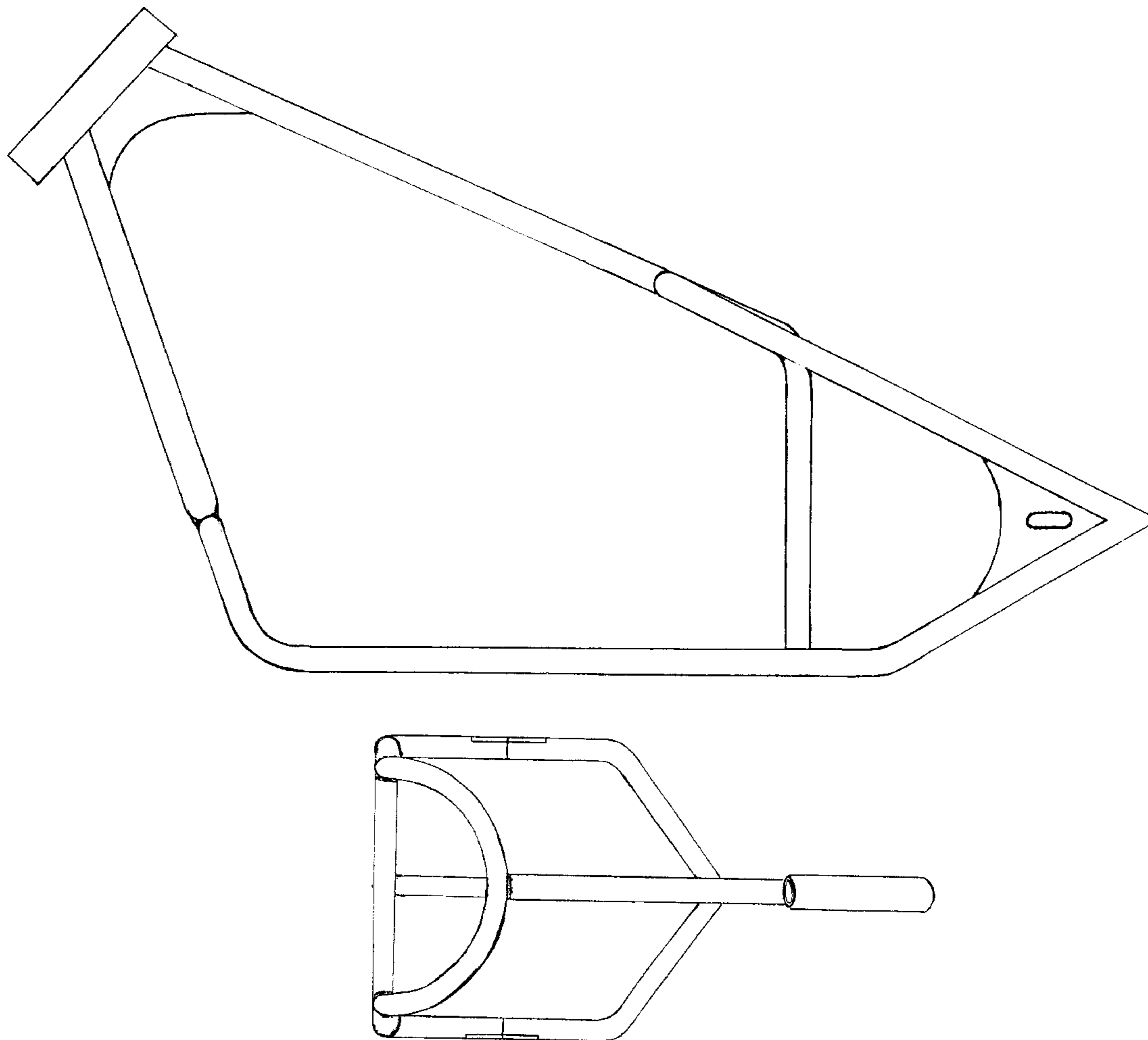


FIG. 1

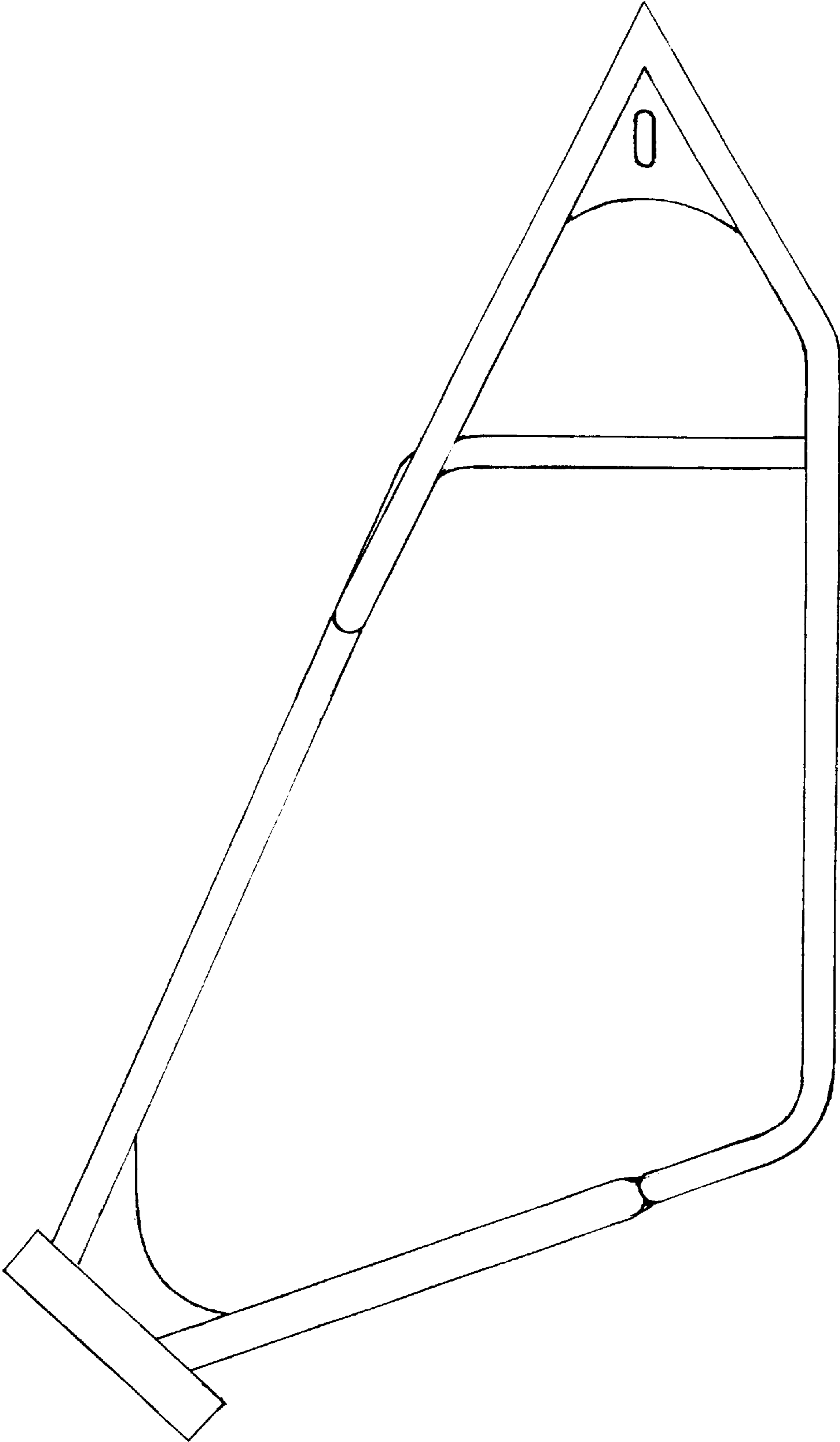


FIG. 2

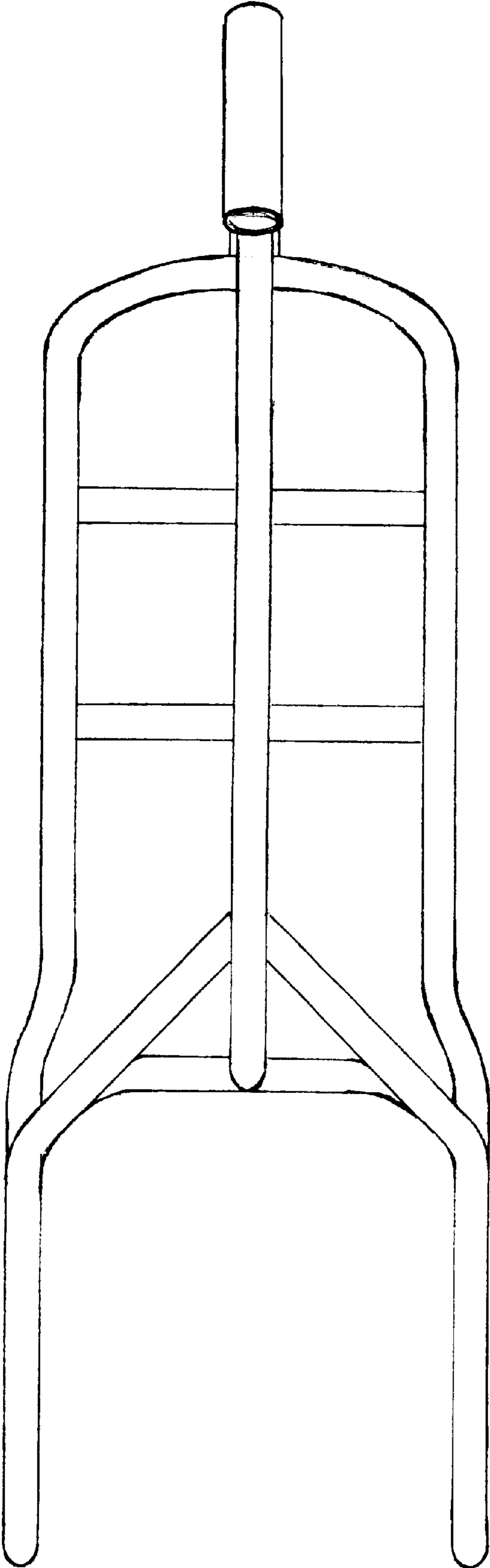


FIG. 3

