



US00D515469S

(12) **United States Design Patent**
Lu

(10) **Patent No.:** **US D515,469 S**
(45) **Date of Patent:** **** Feb. 21, 2006**

(54) **TRICYCLE**

D436,387 S * 1/2001 Pardi D21/429

(76) **Inventor:** **Fa-Hsing Lu**, 7F, No. 109, Sec. 3,
Taijunggang Rd., Shituen Chiu,
Taichung (TW)

* cited by examiner

Primary Examiner—Alan P. Douglas

Assistant Examiner—Linda Brooks

(**) **Term:** **14 Years**

(74) *Attorney, Agent, or Firm*—Alan D. Kamrath; Nikolai
& Mersereau, P.A.

(21) **Appl. No.:** **29/222,407**

(57) **CLAIM**

(22) **Filed:** **Jan. 28, 2005**

The ornamental design for a tricycle, as shown and
described.

(51) **LOC (8) Cl.** **12-11**

(52) **U.S. Cl.** **D12/108**

(58) **Field of Classification Search** D12/108,
D12/111; D21/429, 432, 435, 538; 280/1.13,
280/1.16, 1.22, 202, 204, 282; 446/275, 279,
446/440

DESCRIPTION

See application file for complete search history.

FIG. 1 is a perspective view of a tricycle showing our new
design;

FIG. 2 is a right elevational view thereof;

FIG. 3 is a left elevational view thereof;

FIG. 4 is a front side elevational view thereof;

FIG. 5 is a rear side elevational view thereof;

FIG. 6 is a top plan view thereof; and,

FIG. 7 is a bottom plan view thereof.

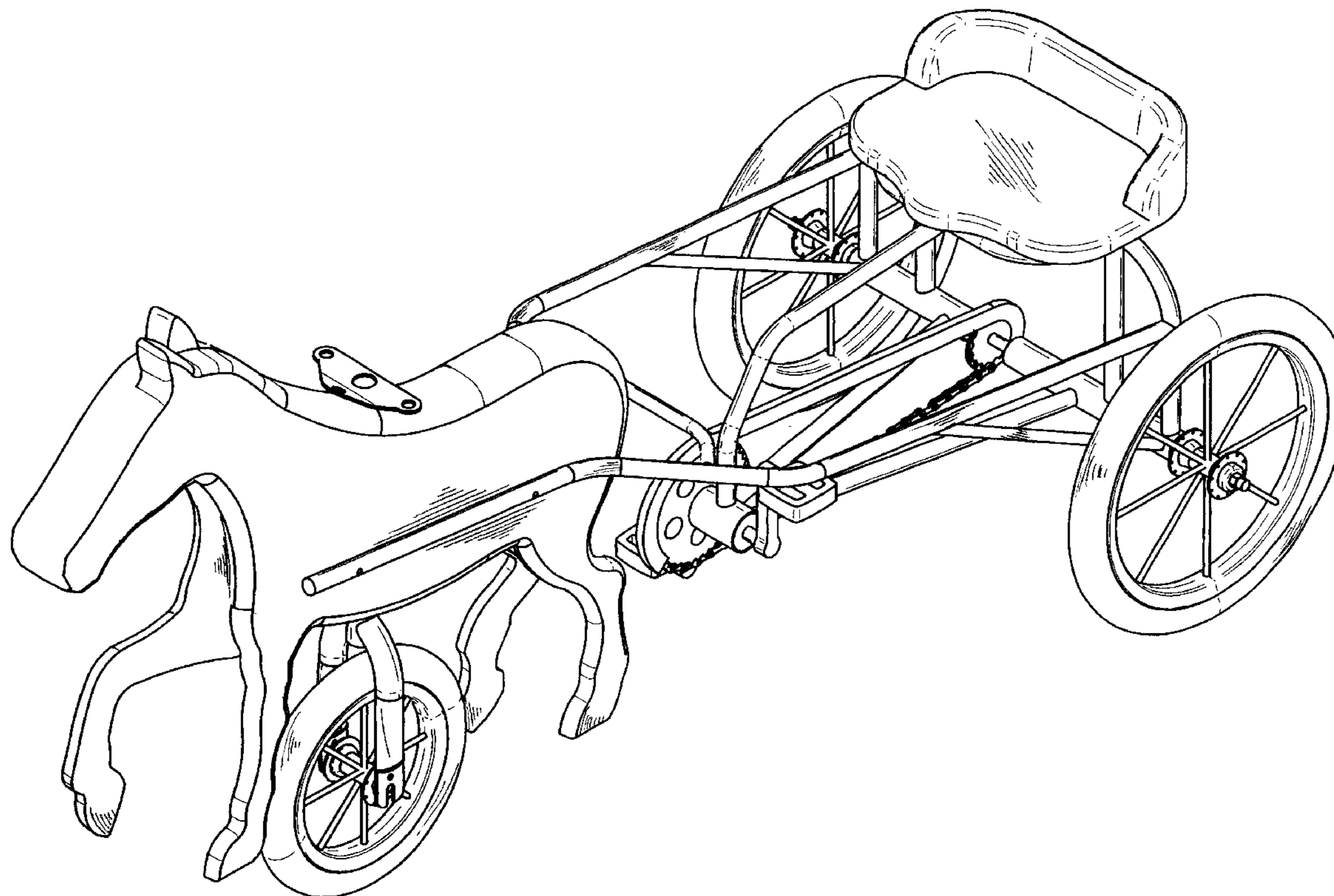
(56) **References Cited**

U.S. PATENT DOCUMENTS

D174,467 S * 4/1955 Pinto D12/108

D326,485 S * 5/1992 Rudell et al. D21/429

1 Claim, 7 Drawing Sheets



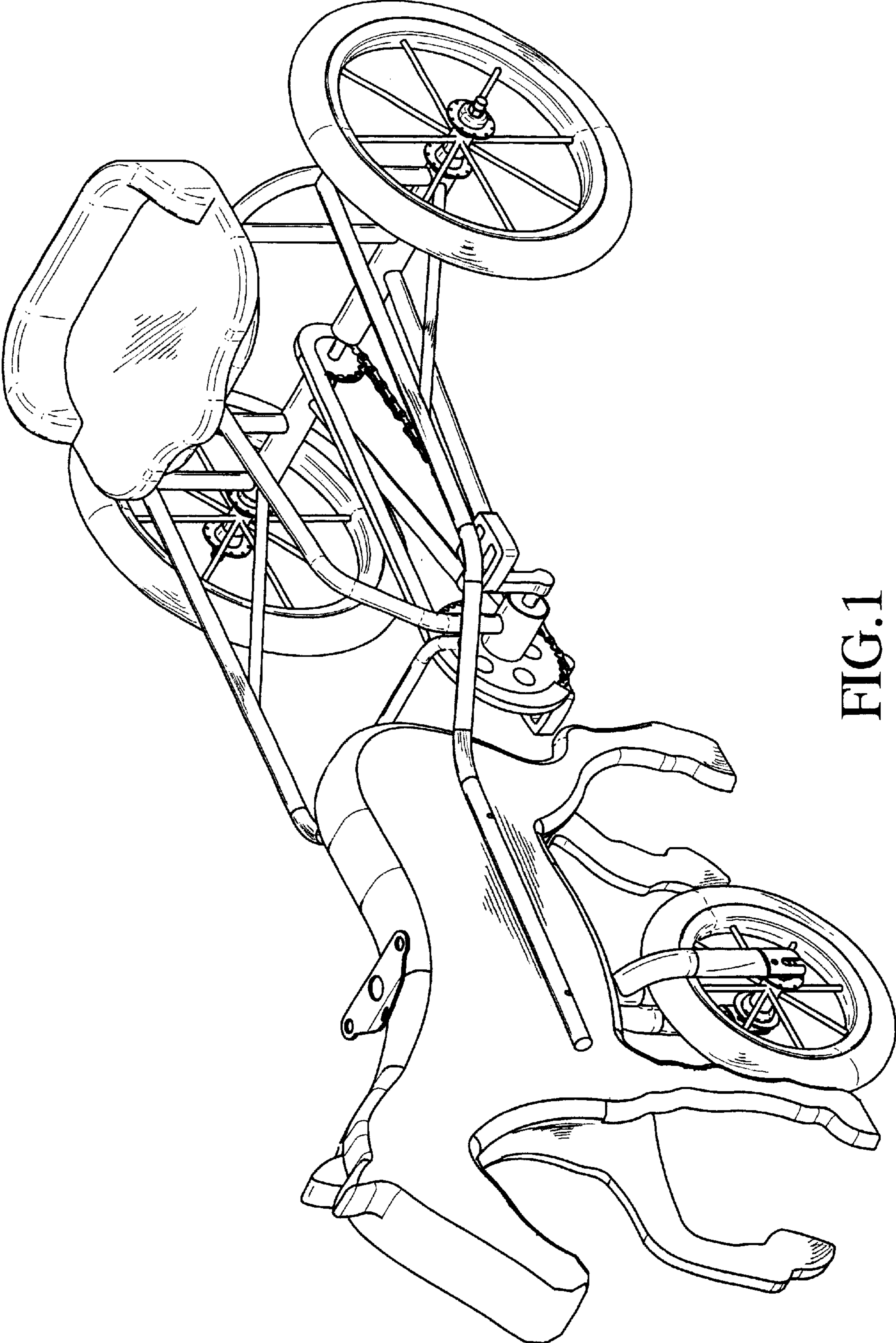


FIG. 1

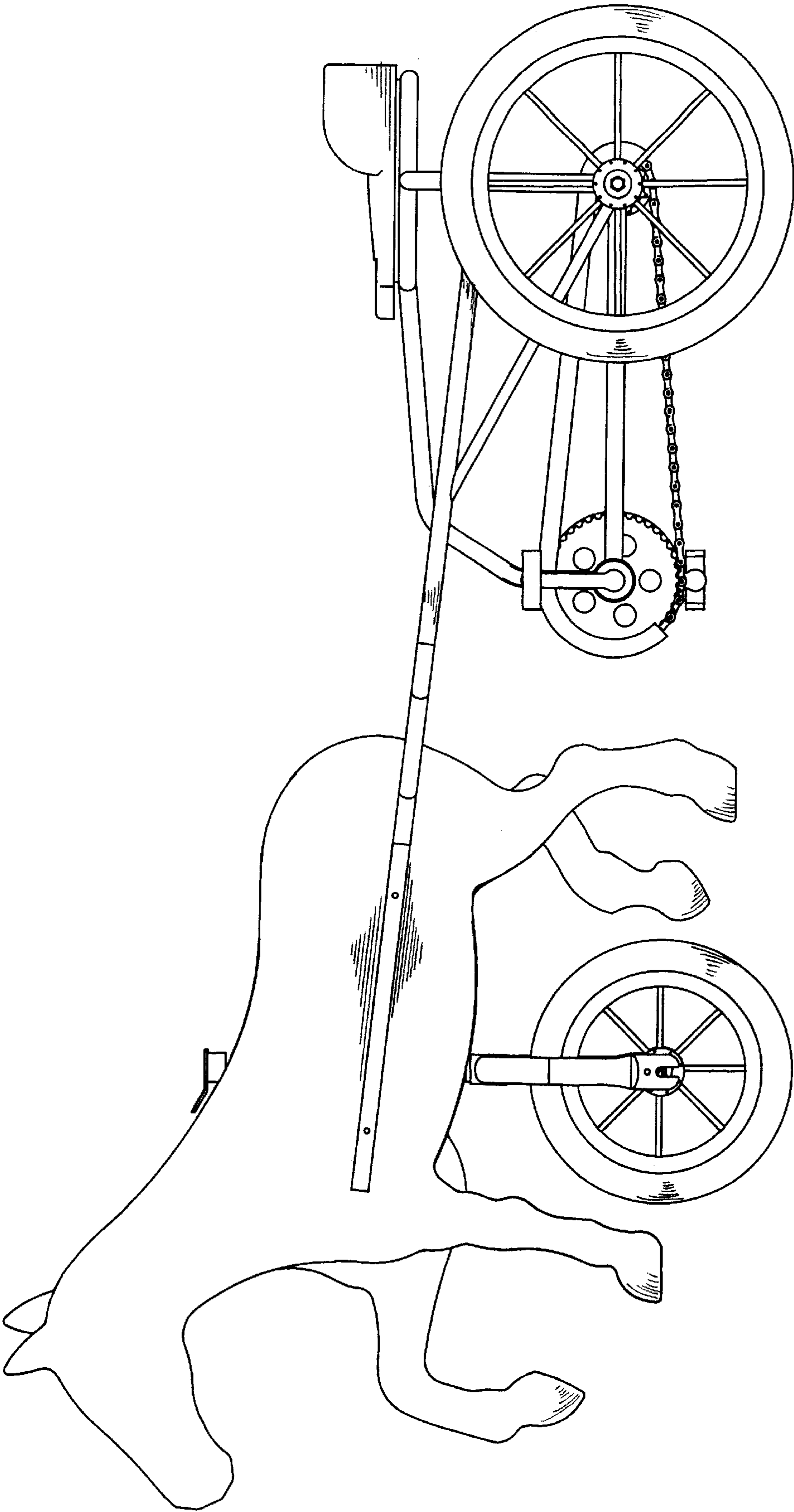


FIG.2

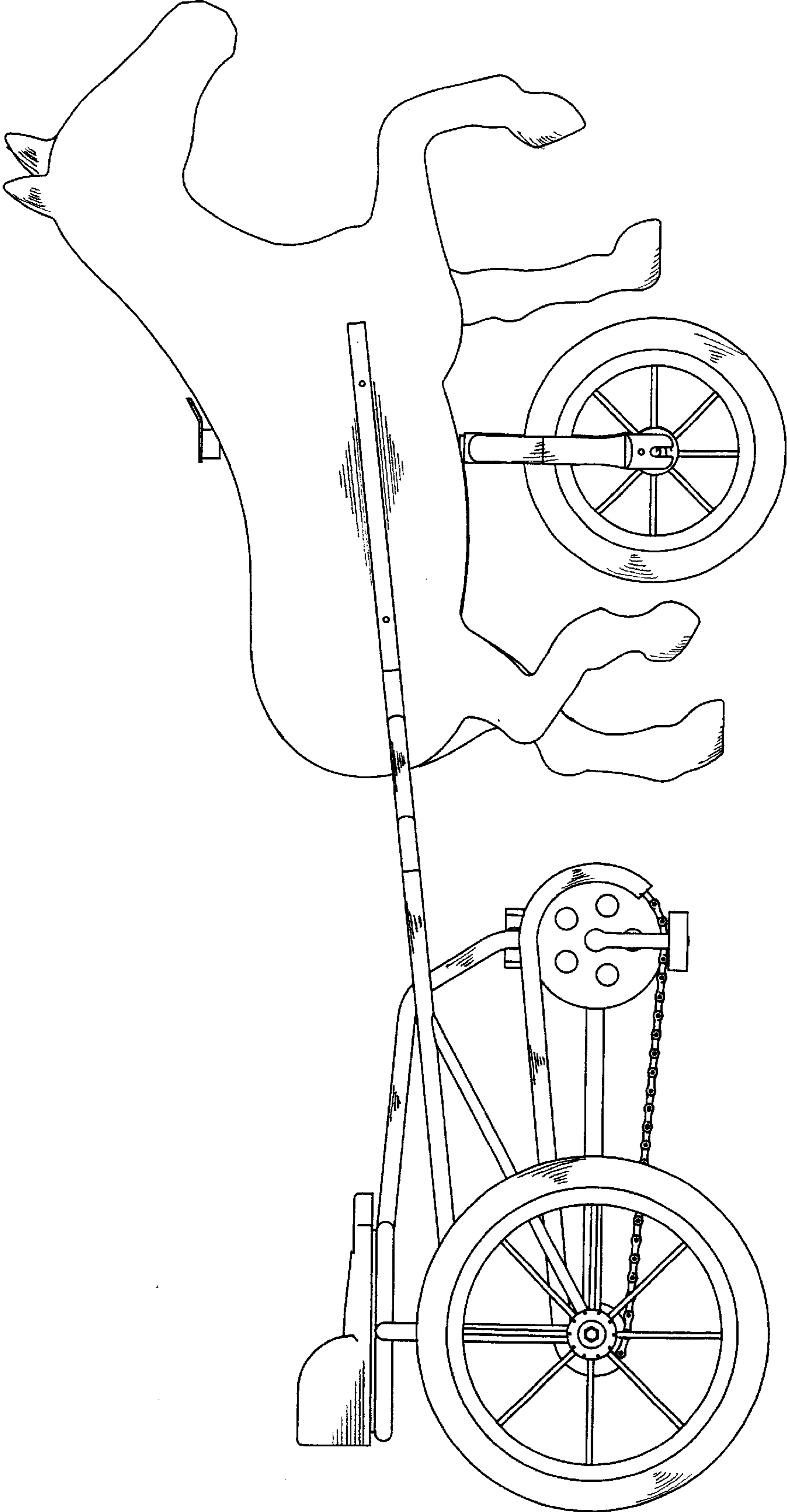


FIG.3

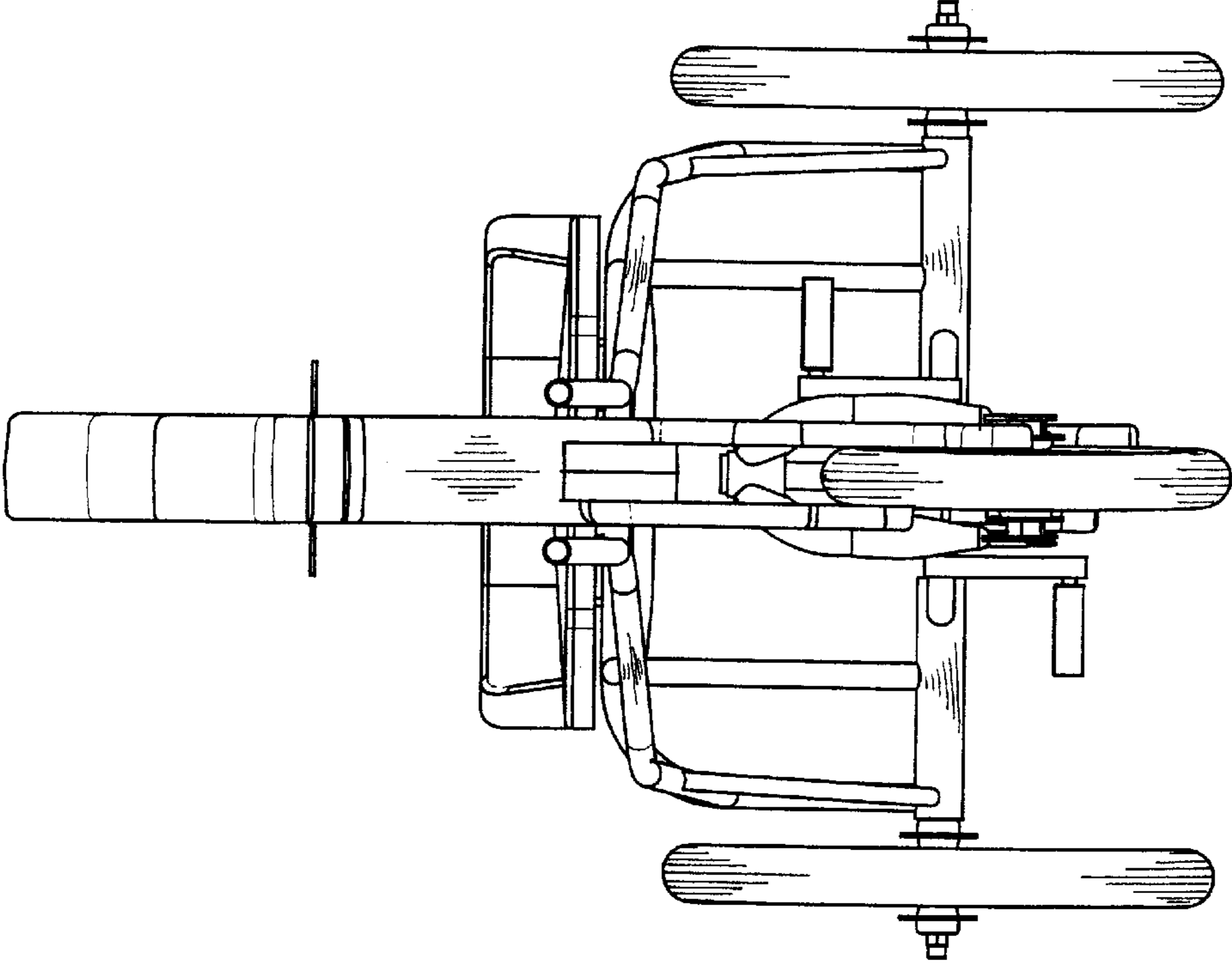


FIG.4

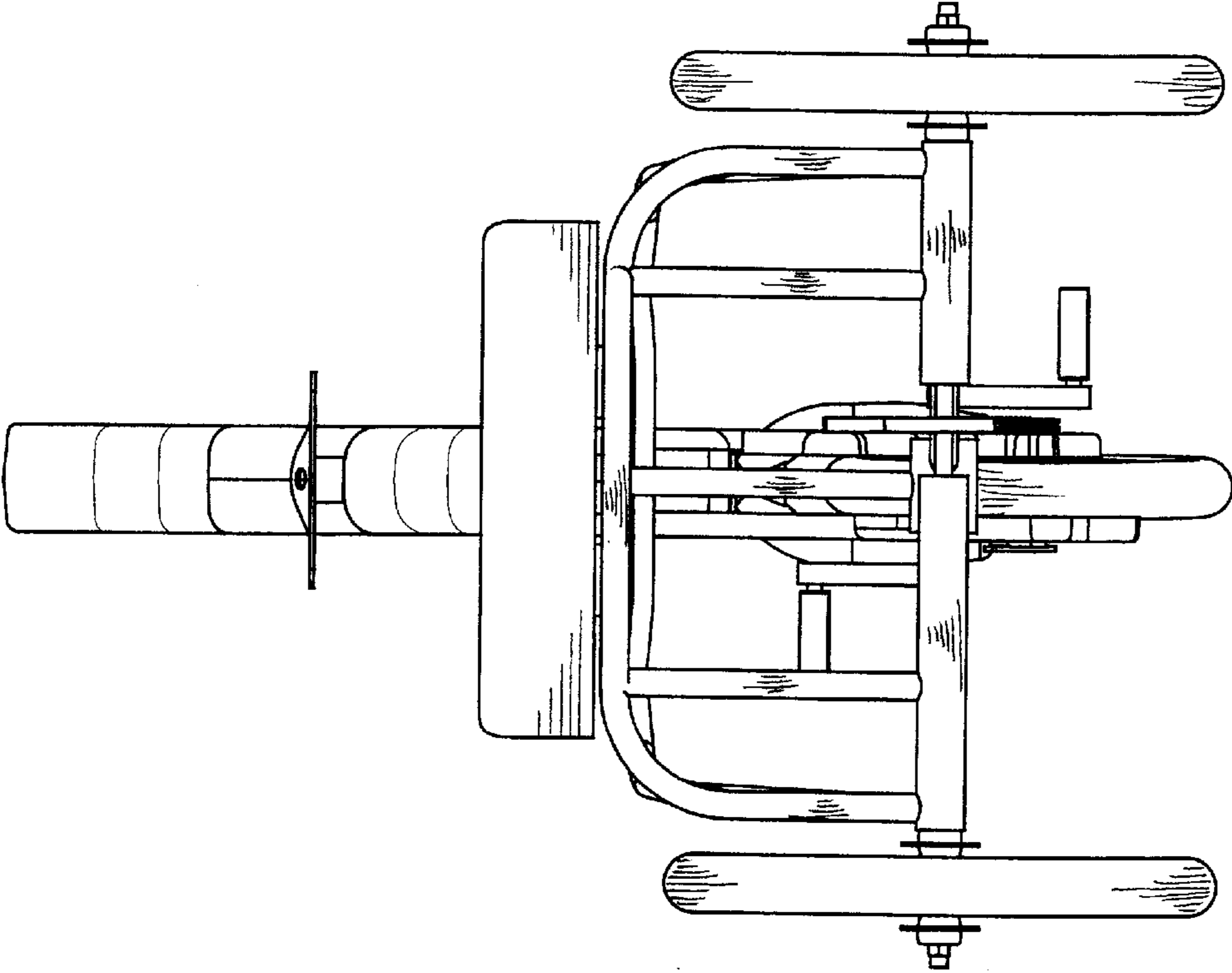


FIG.5

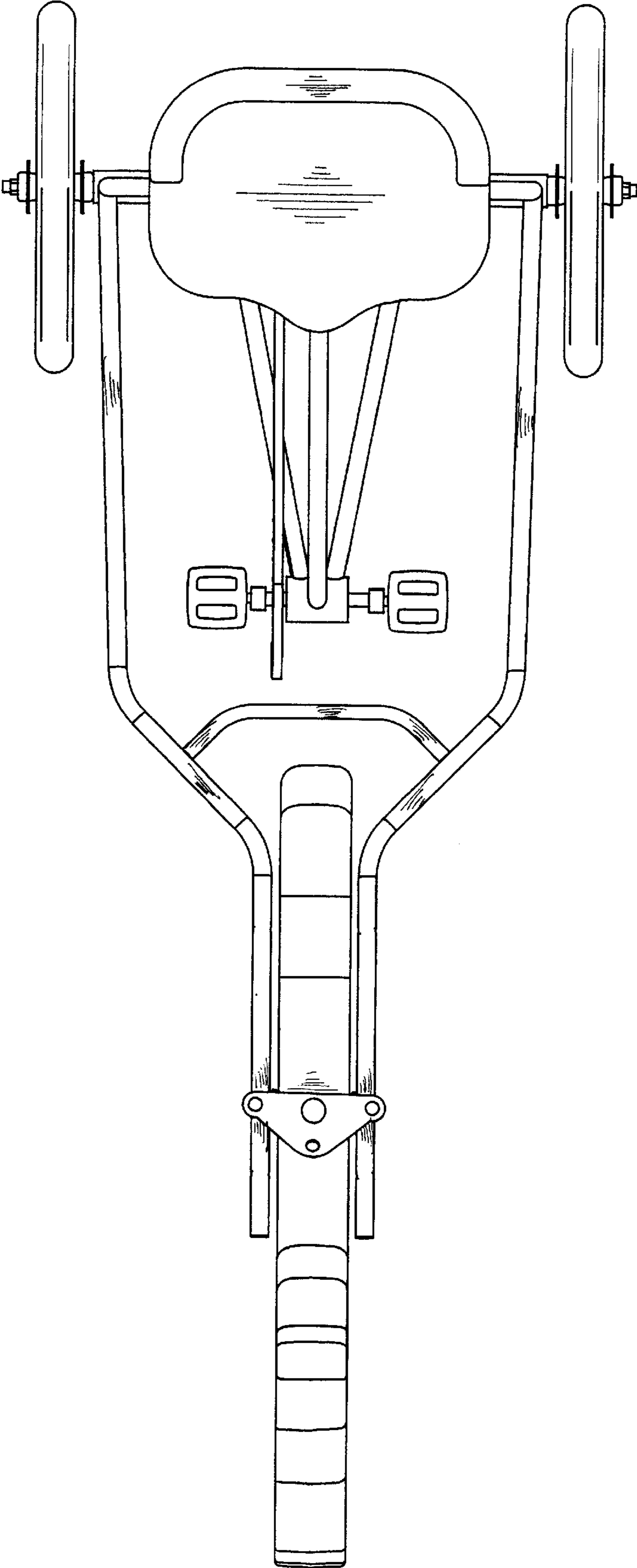


FIG.6

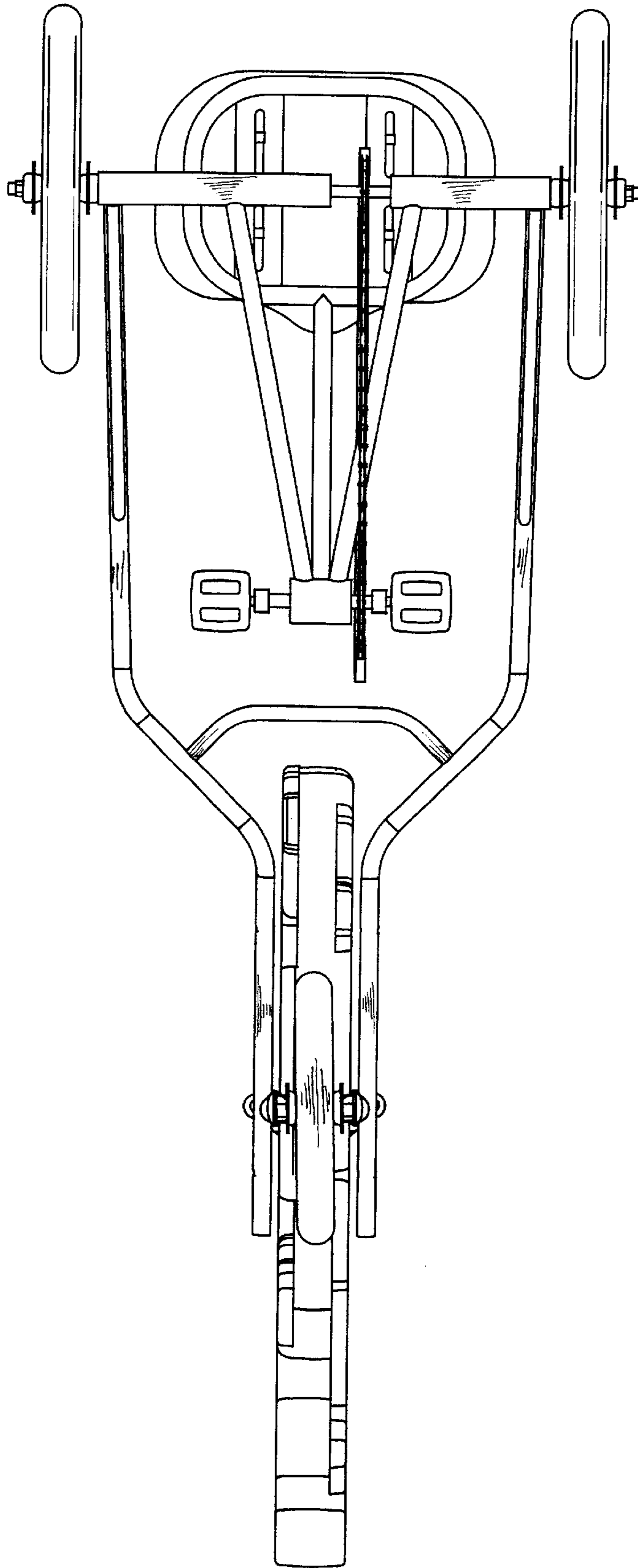


FIG. 7