



US00D515468S

(12) **United States Design Patent**  
**Inui et al.**

(10) **Patent No.:** **US D515,468 S**  
(45) **Date of Patent:** **\*\* Feb. 21, 2006**

(54) **COWLING FOR FOUR-WHEELED  
MOTORCYCLE**

(75) Inventors: **Akira Inui**, Shizuoka-ken (JP);  
**Takanori Suzuki**, Shizuoka-ken (JP)

(73) Assignee: **Yamaha Hatsudoki Kabushiki Kaisha**  
(JP)

(\*\*) Term: **14 Years**

(21) Appl. No.: **29/219,658**

(22) Filed: **Dec. 20, 2004**

(51) **LOC (8) Cl.** ..... **12-11**

(52) **U.S. Cl.** ..... **D12/107**

(58) **Field of Classification Search** ..... D12/107,  
D12/110, 181, 184, 186, 87, 112; 180/219,  
180/225, 229, 311, 312, 315, 233; 296/181.1,  
296/181.4, 192, 193.08

See application file for complete search history.

(56) **References Cited**

**U.S. PATENT DOCUMENTS**

D233,031 S \* 10/1974 Roth ..... D12/112

\* cited by examiner

*Primary Examiner*—Alan P. Douglas

*Assistant Examiner*—Linda Brooks

(74) *Attorney, Agent, or Firm*—Ostrolenk, Faber, Gerb &  
Soffen, LLP

(57) **CLAIM**

The ornamental design for a cowling for four-wheeled  
motorcycle, as shown and described.

**DESCRIPTION**

FIG. 1 is a top perspective view of a cowling for four-  
wheeled motorcycle showing our new design;

FIG. 2 is a right side view thereof;

FIG. 3 is a left side view thereof;

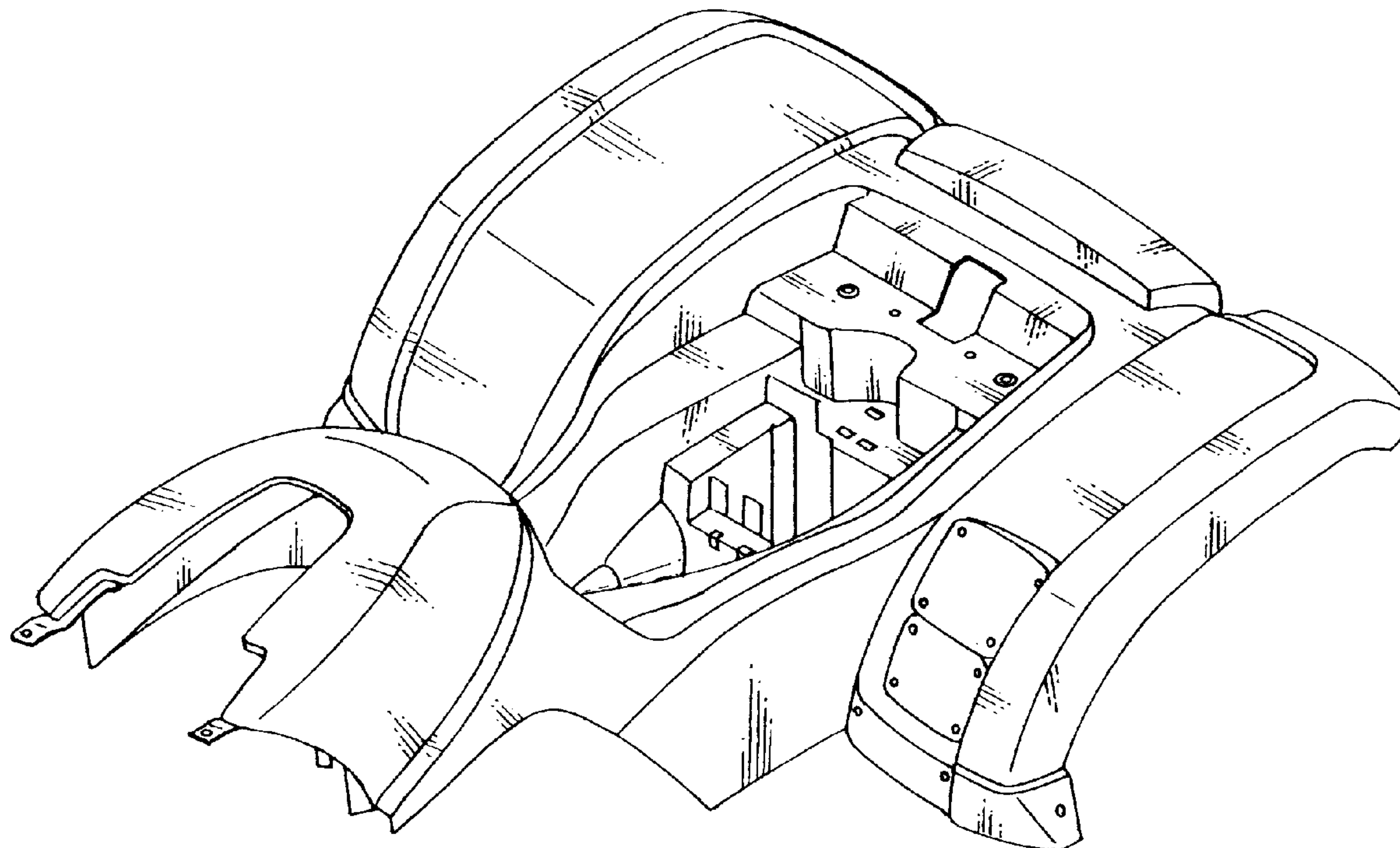
FIG. 4 is a front side view thereof;

FIG. 5 is a rear view thereof; and,

FIG. 6 is a top plan view thereof;

The bottom of the cowling is not shown in the drawing and  
forms no part of the claimed design.

**1 Claim, 4 Drawing Sheets**



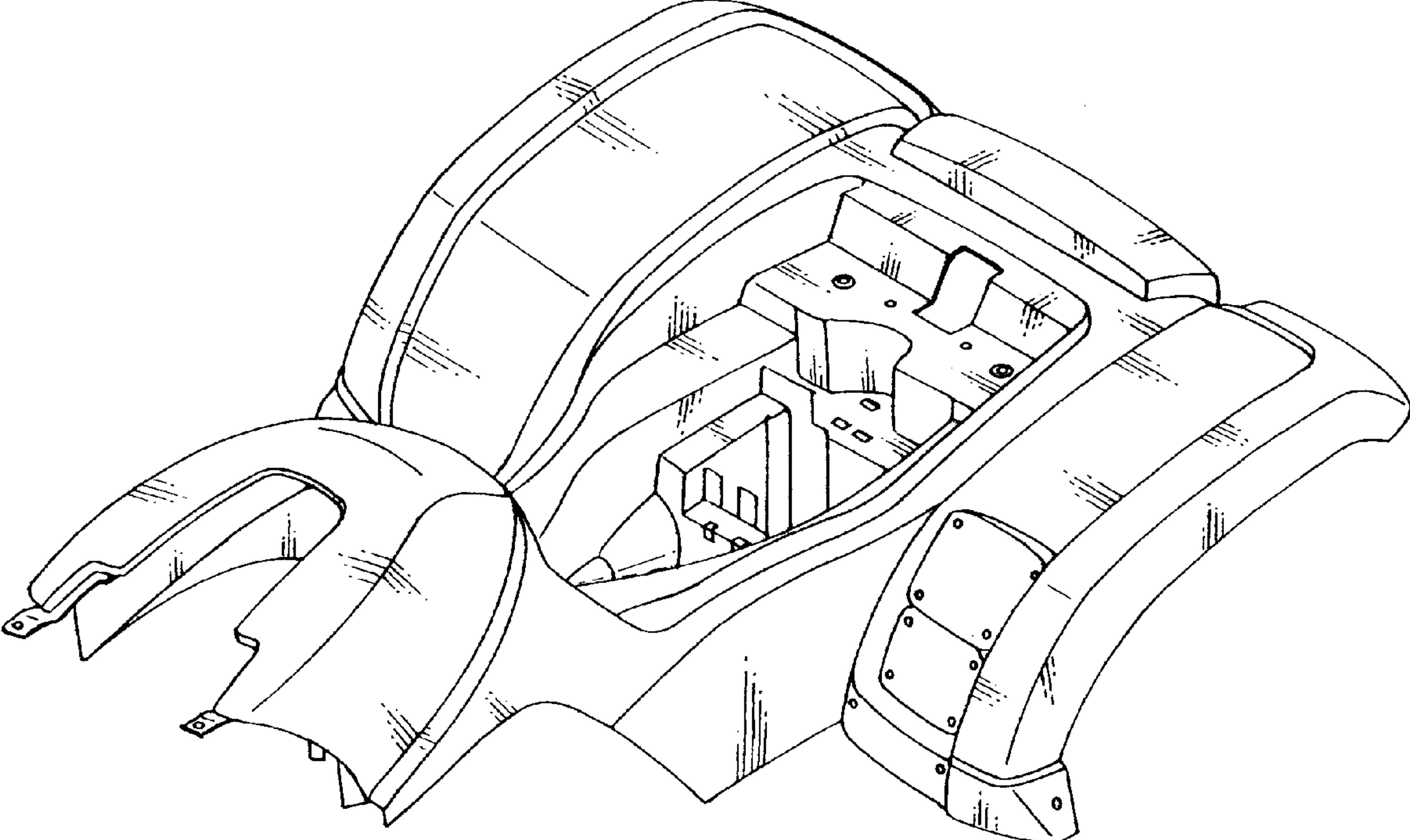


FIG. 1

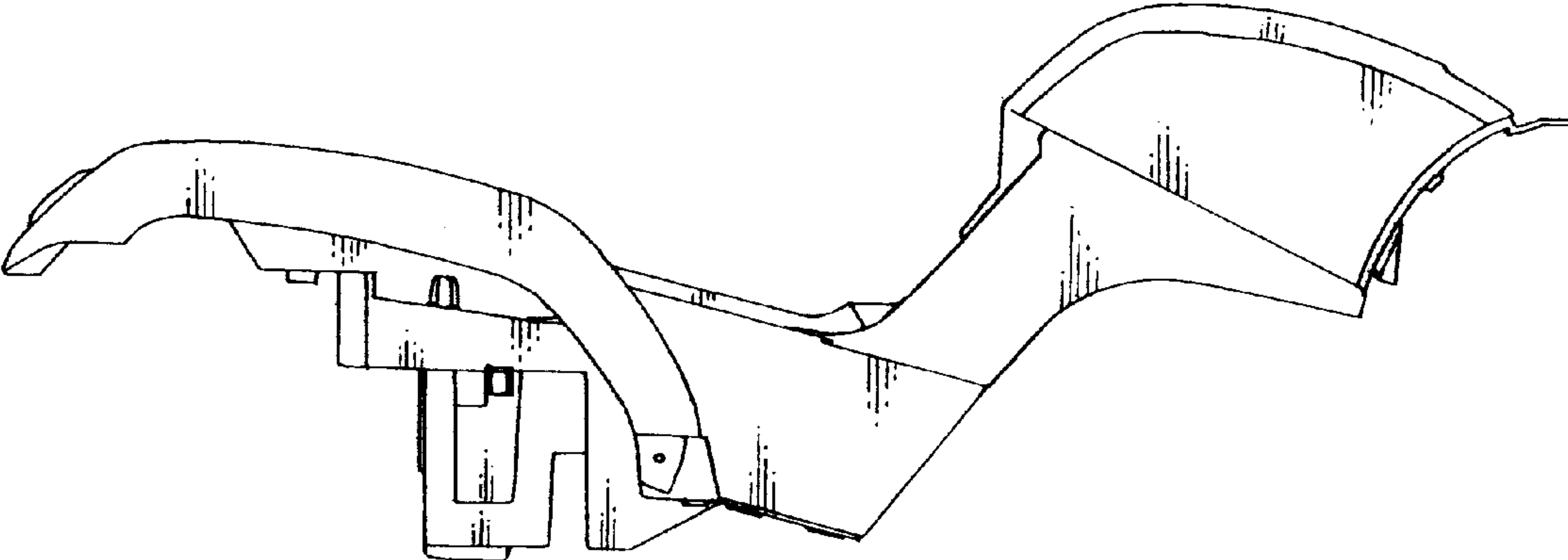


FIG. 2

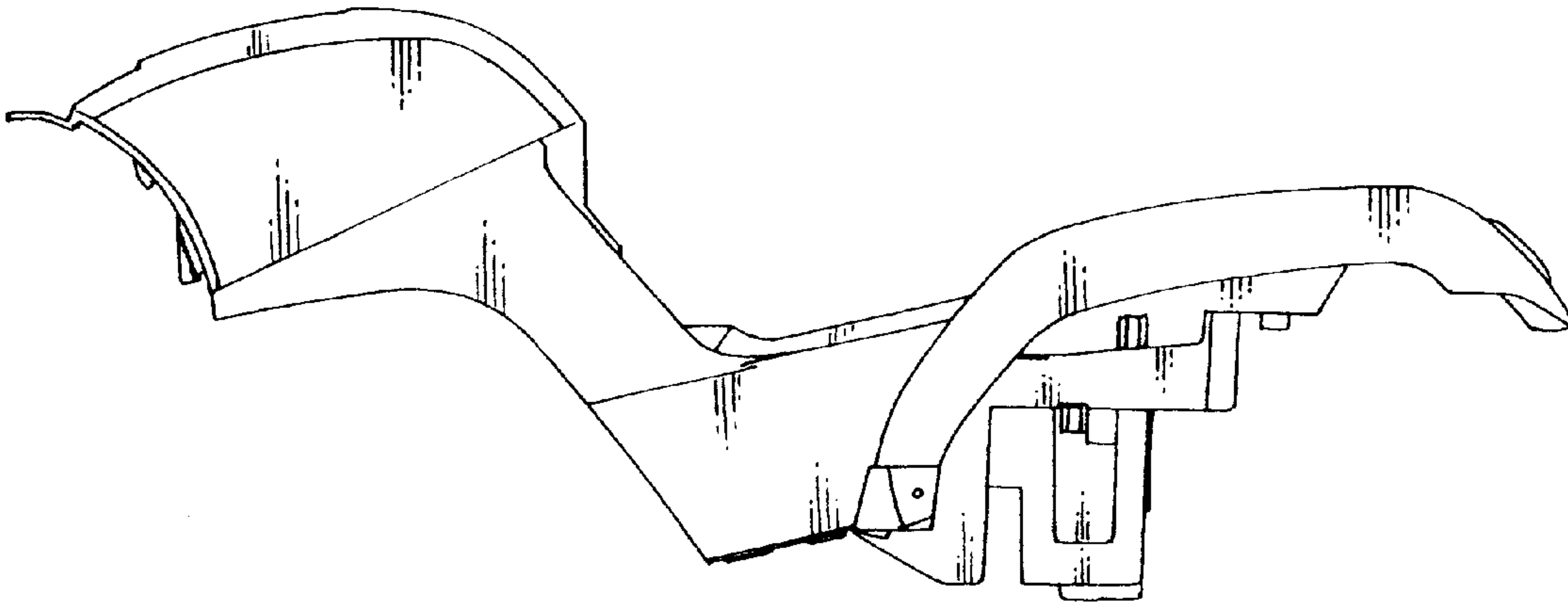
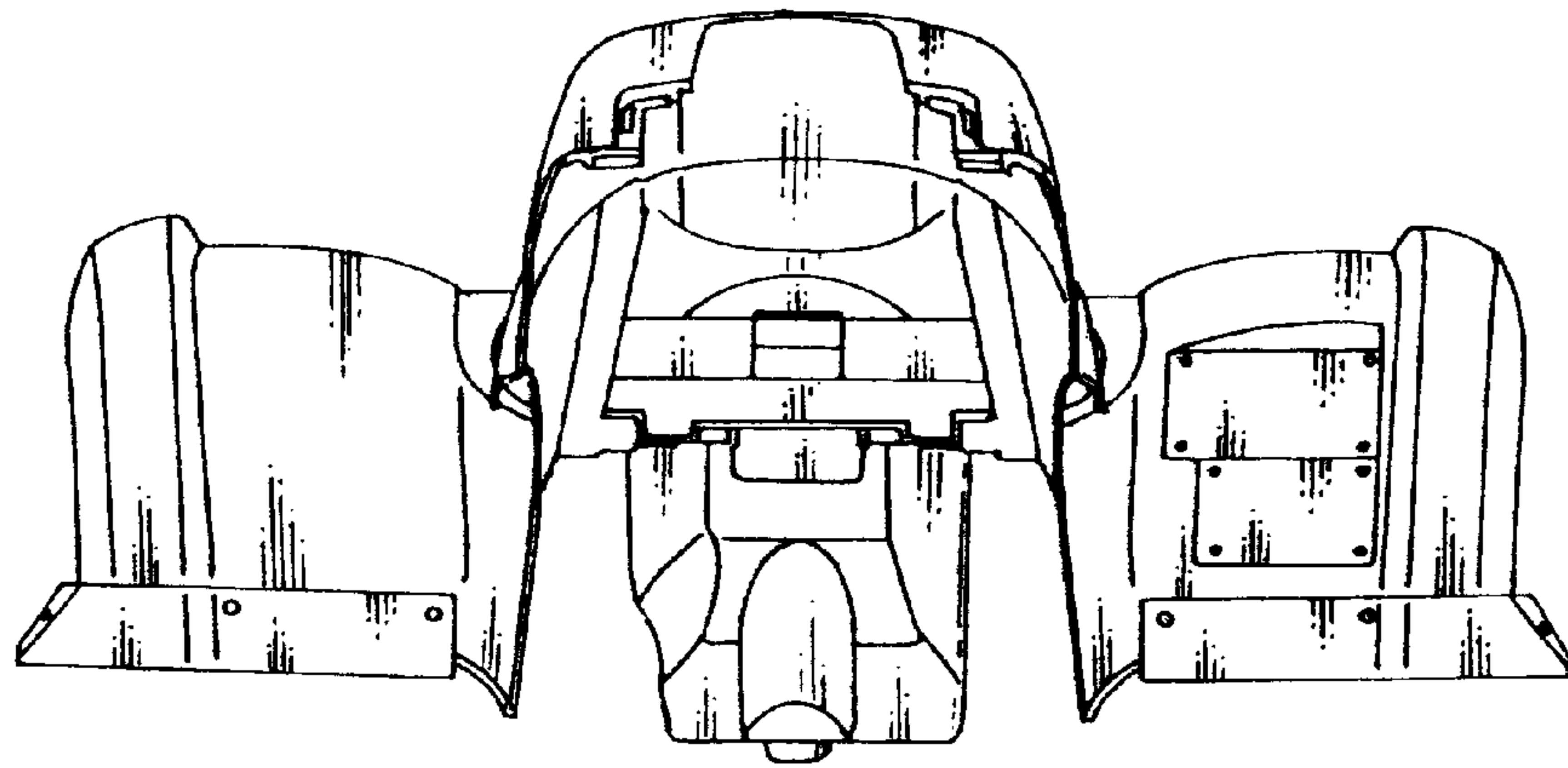
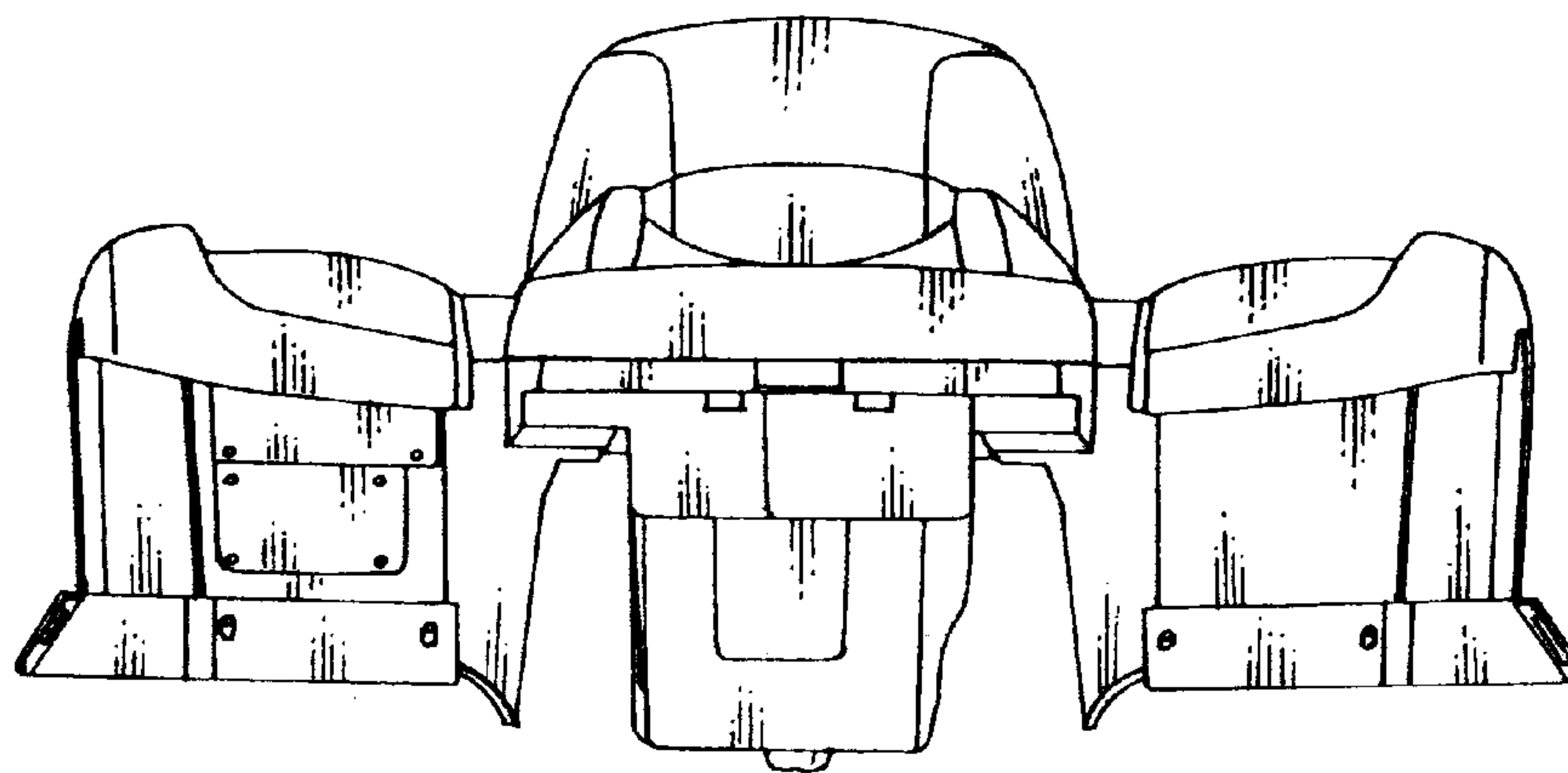


FIG. 3



**FIG. 4**



**FIG. 5**

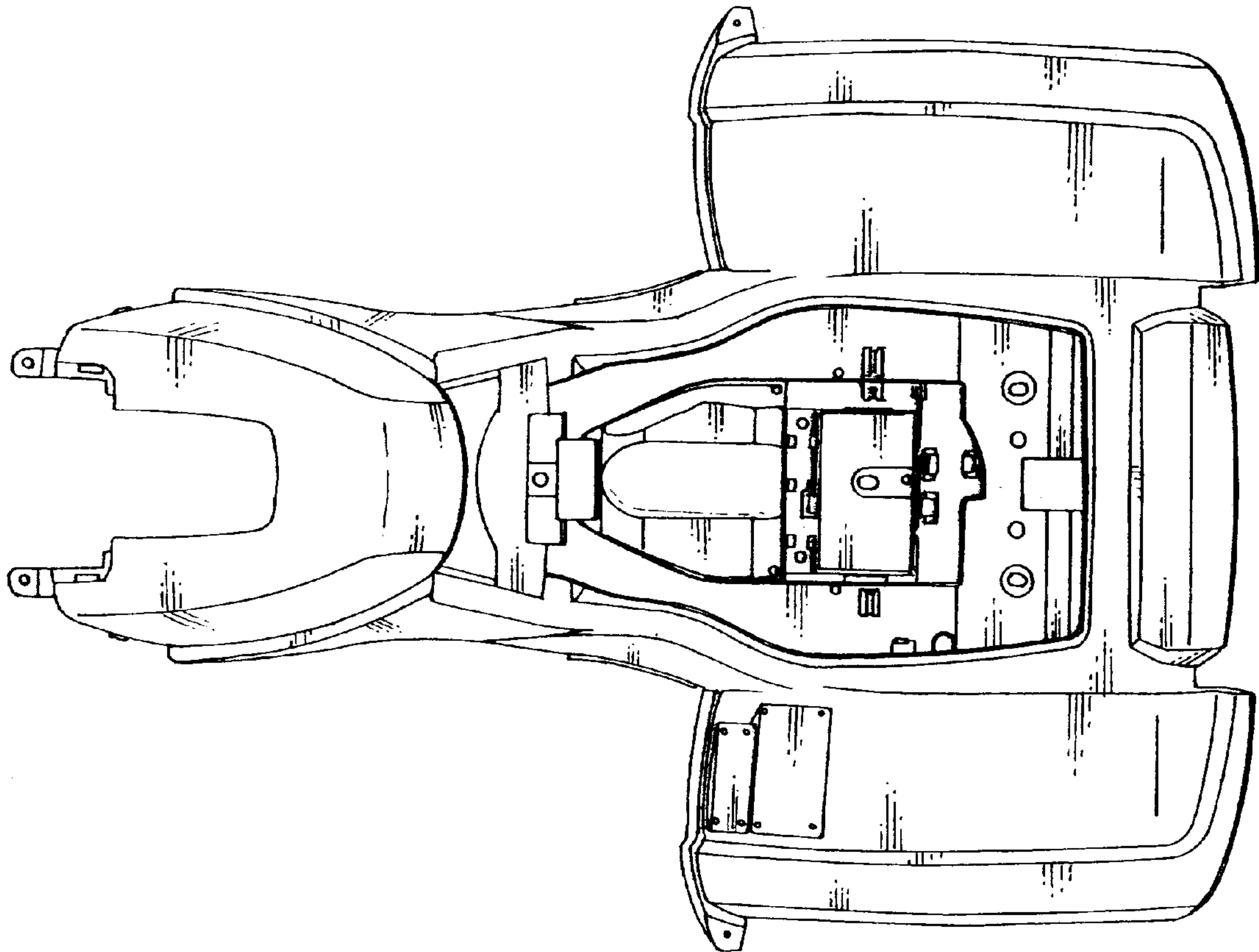


FIG. 6