



US00D515464S

(12) **United States Design Patent**
DeShong

(10) **Patent No.:** **US D515,464 S**

(45) **Date of Patent:** **** Feb. 21, 2006**

(54) **LAWN AND GARDEN TRAILER**

(76) **Inventor:** **Morris DeShong**, 9182 S. 300 West,
Pendleton, IN (US) 46064

(**) **Term:** **14 Years**

(21) **Appl. No.:** **29/190,621**

(22) **Filed:** **Sep. 24, 2003**

(51) **LOC (8) Cl.** **12-10**

(52) **U.S. Cl.** **D12/101**

(58) **Field of Classification Search** D12/101,
D12/102, 105; 280/475, 656, 763.1, 482,
280/462; 296/182.1, 183.1, 181, 190; D15/27
See application file for complete search history.

(56) **References Cited**

U.S. PATENT DOCUMENTS

D286,992 S	*	12/1986	Doering	D12/105
D325,549 S	*	4/1992	Jarvis	D12/105
D352,722 S	*	11/1994	Mandell et al.	D15/27
D373,335 S	*	9/1996	Repke	D12/101
D373,748 S	*	9/1996	Fuller et al.	D12/105

* cited by examiner

Primary Examiner—Melody N Brown

(74) *Attorney, Agent, or Firm*—Clifford W. Browning;
Woodard, Emhardt, Moriarty, McNett & Henry LLP

(57) **CLAIM**

The ornamental design for a lawn and garden trailer, as shown and described.

DESCRIPTION

FIG. 1 is a perspective view of a lawn and garden trailer in a transport mode, showing my new design.

FIG. 2 is a right side view of FIG. 1, the left side view being mirror image thereof.

FIG. 3 is a right side view of FIG. 1, with the lawn and garden trailer in its loading mode, the left side view of the loading mode being a mirror image thereof.

FIG. 4 is a top plan view of FIG. 1.

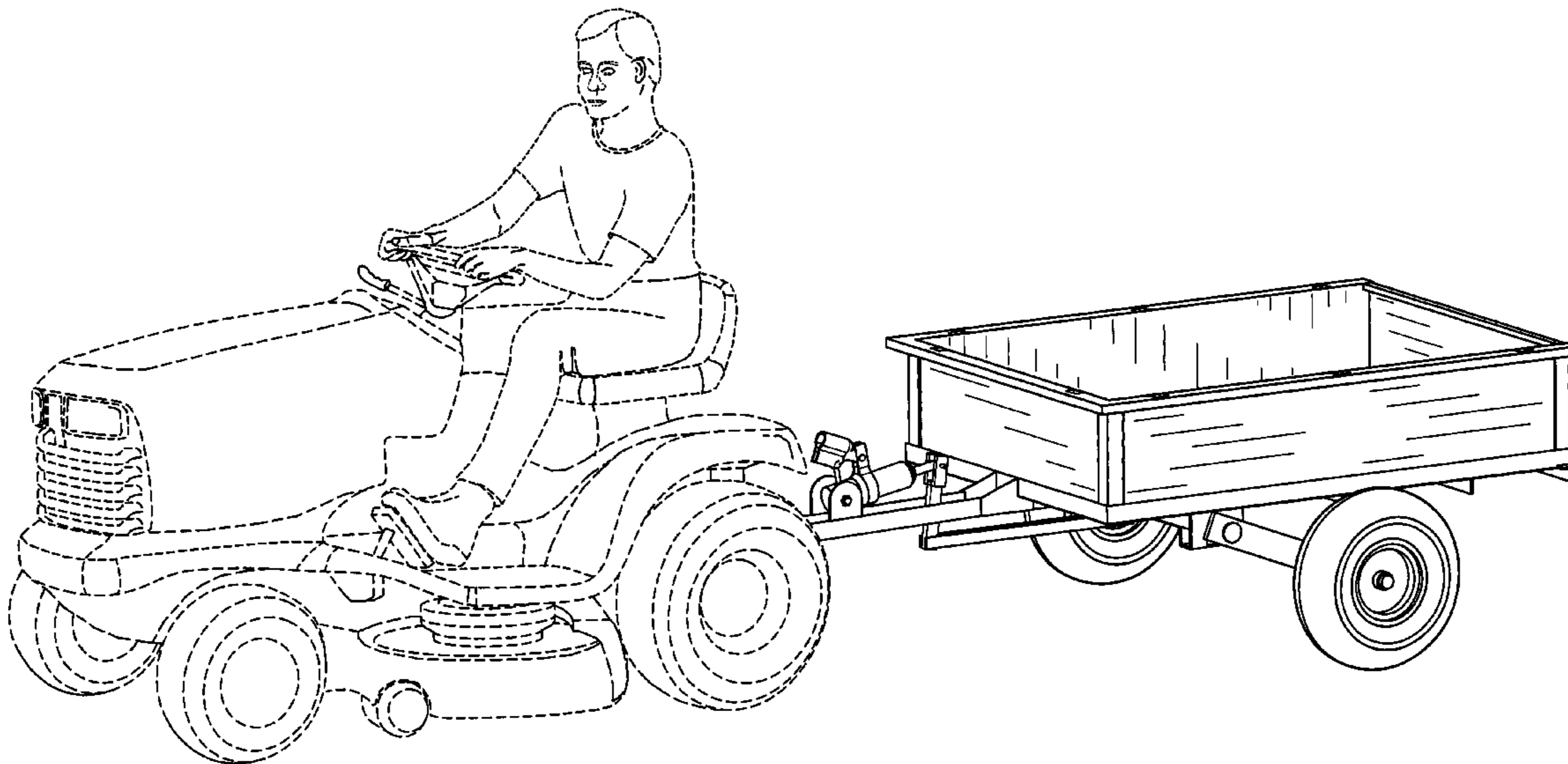
FIG. 5 is a rear view of FIG. 1.

FIG. 6 is a front view of FIG. 1.

FIG. 7 is a bottom plan view of FIG. 1; and,

FIG. 8 is another perspective view of FIG. 1, showing the environment of use in broken lines and forming no part of the claimed design.

1 Claim, 6 Drawing Sheets



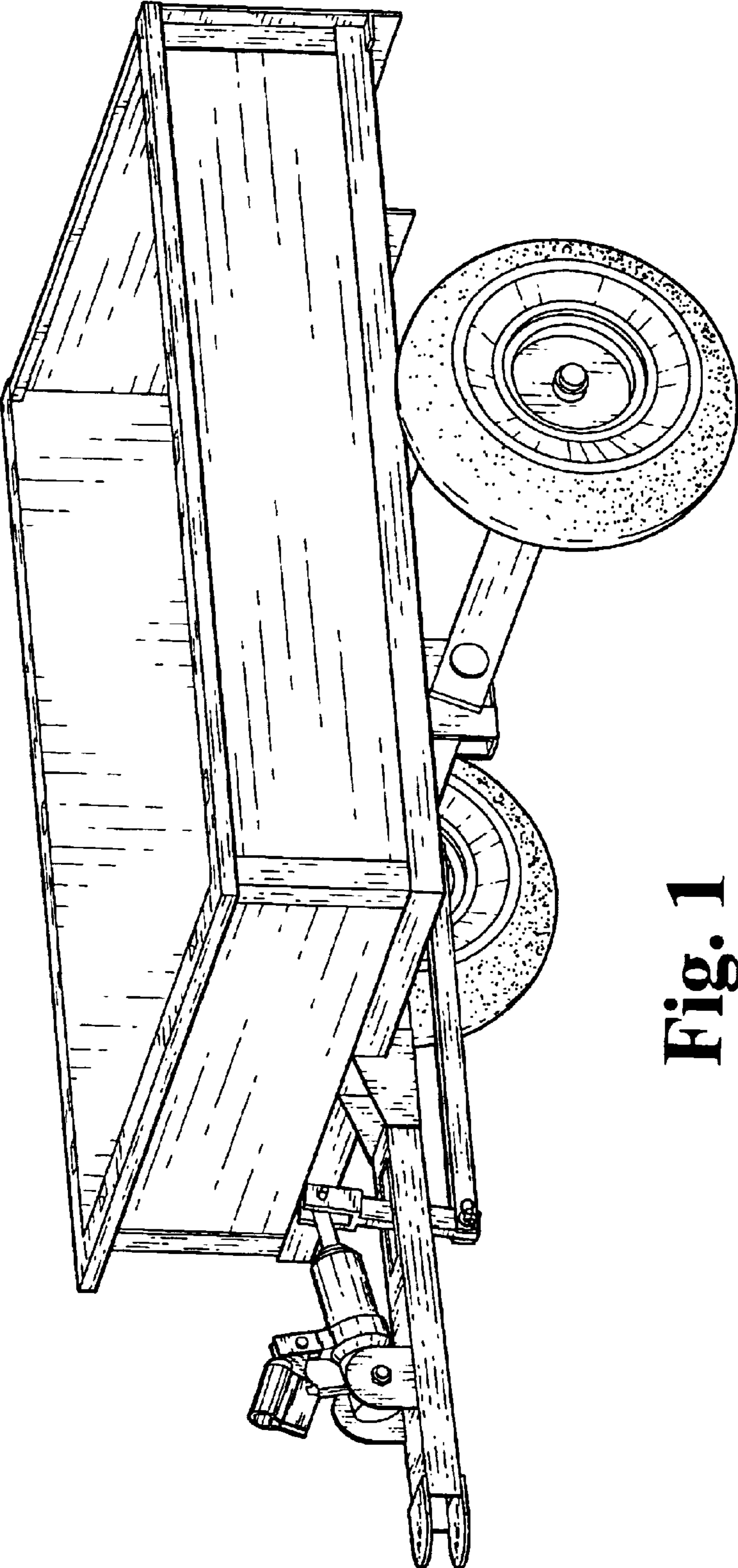


Fig. 1

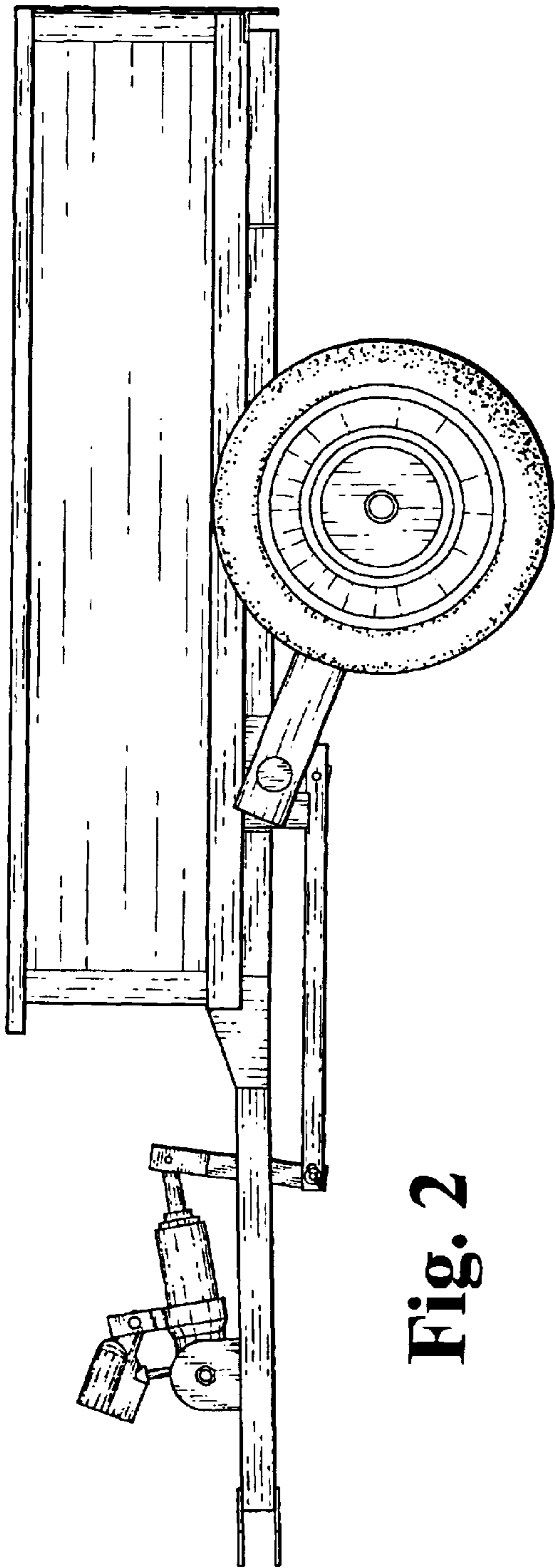


Fig. 2

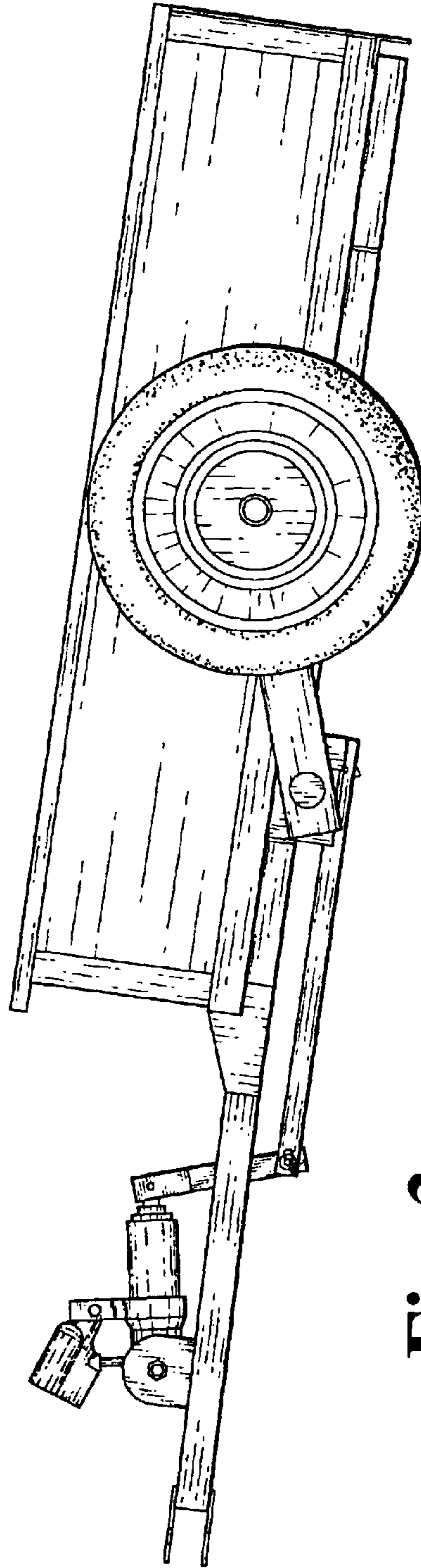


Fig. 3

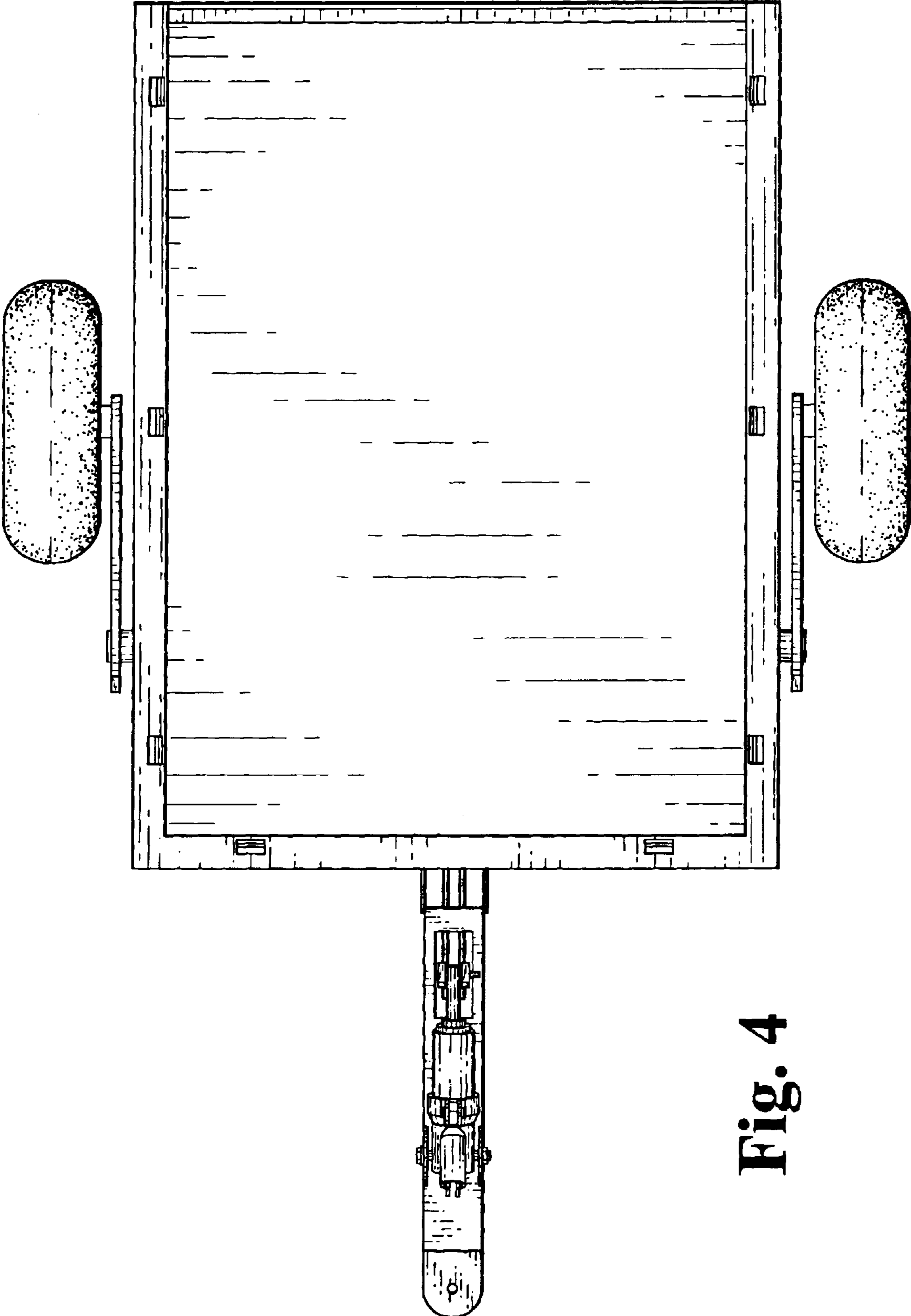


Fig. 4

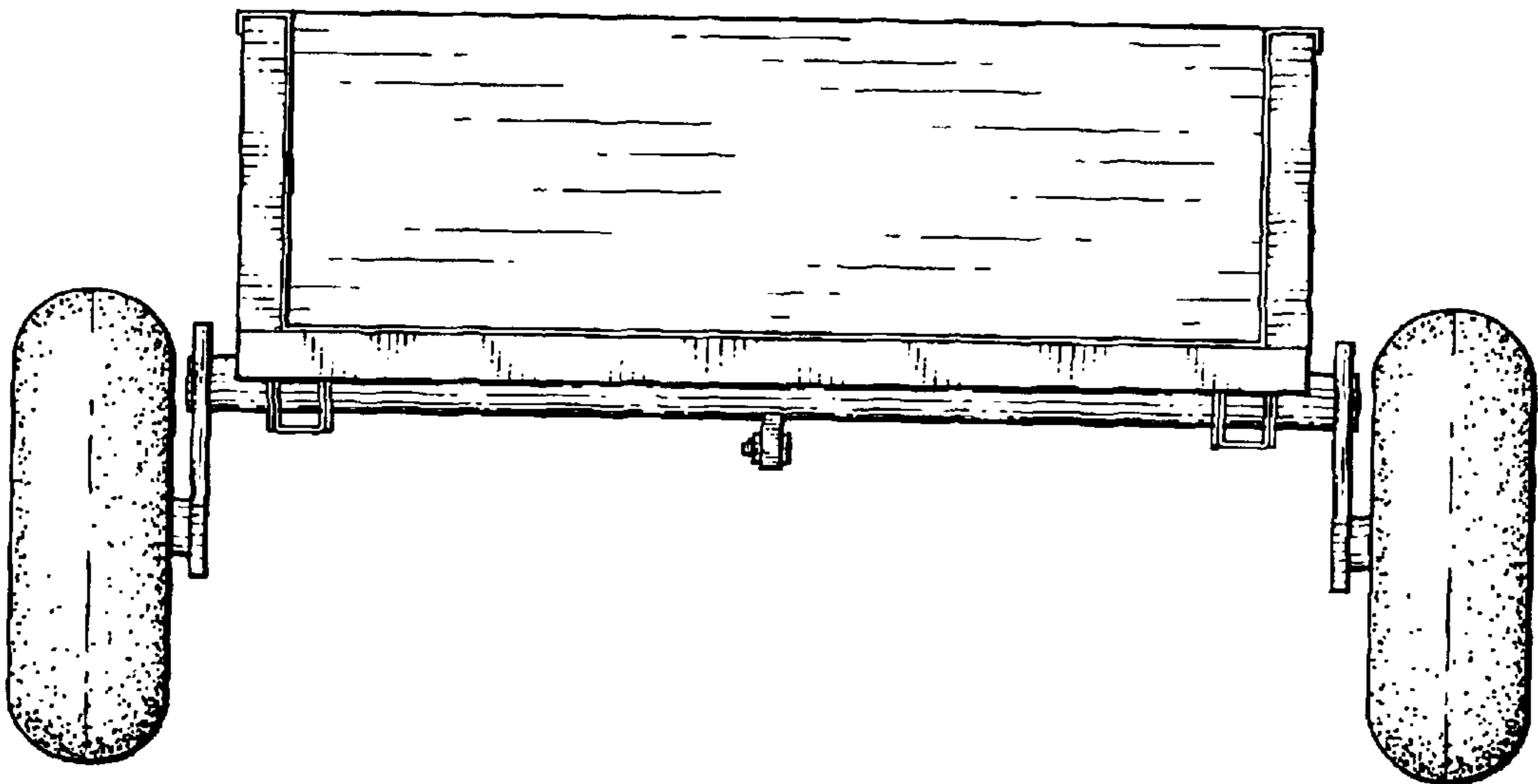


Fig. 5

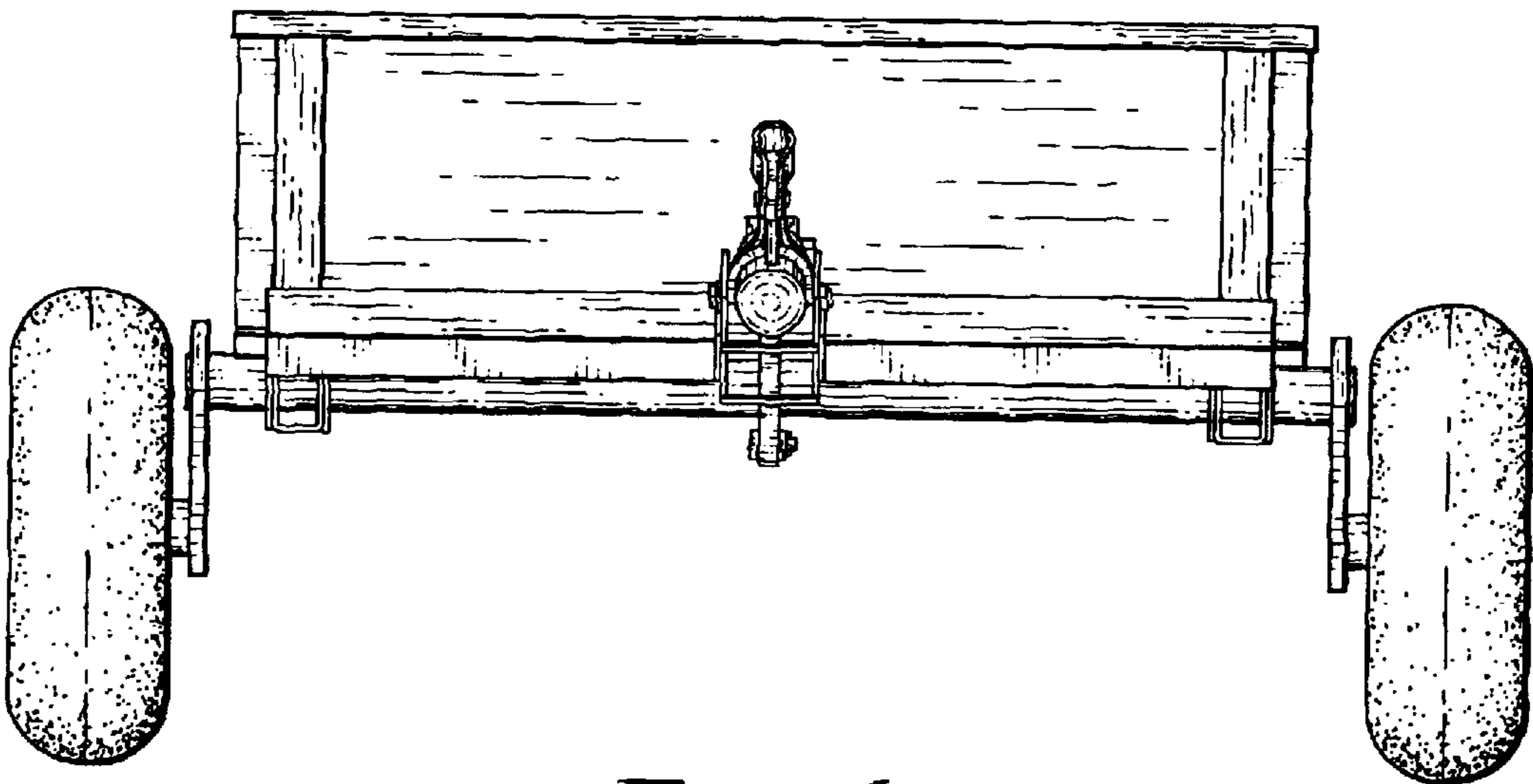


Fig 6

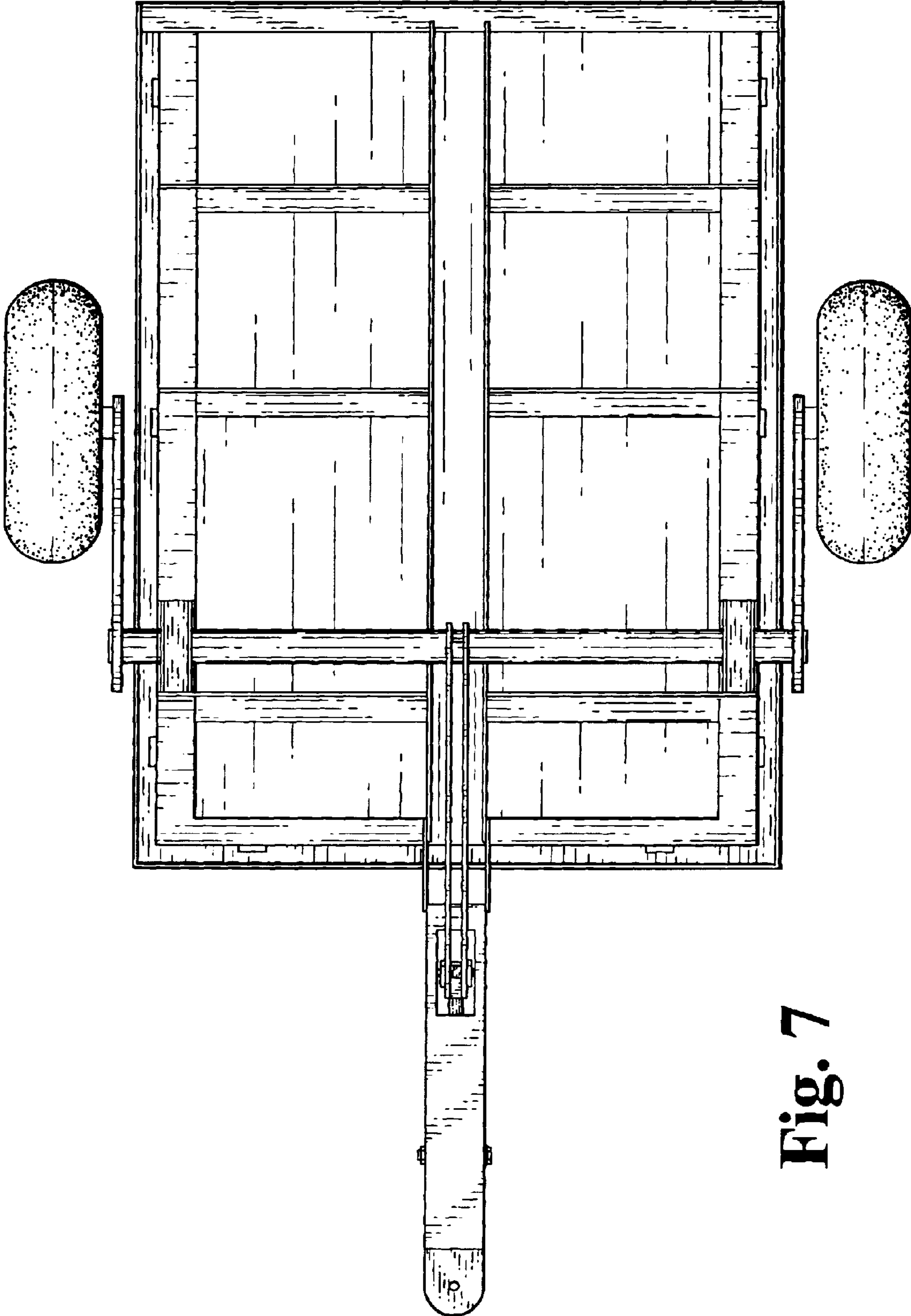


Fig. 7

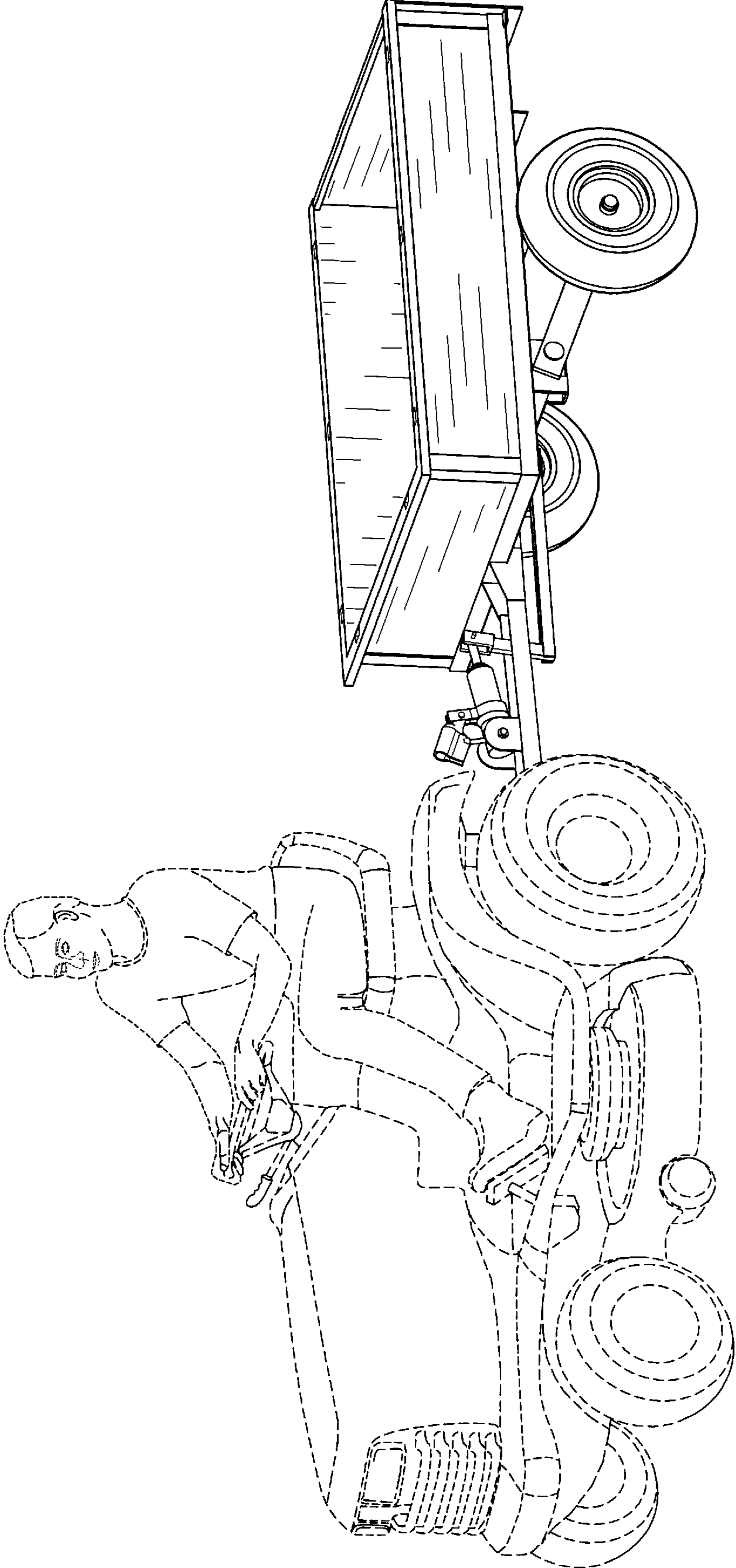


Fig. 8