



US00D515452S

(12) **United States Design Patent** (10) **Patent No.:** **US D515,452 S**  
**Arbore** (45) **Date of Patent:** **\*\* Feb. 21, 2006**

(54) **COMBINATION LOCK EARRING**

(57) **CLAIM**

(76) **Inventor:** **Mario Arbore**, 35-06 169<sup>th</sup> St., Suite A1, Flushing, NY (US) 11358

The ornamental design for a combination lock earring, as shown and described.

(\*\*) **Term:** **14 Years**

**DESCRIPTION**

(21) **Appl. No.:** **29/203,930**

(22) **Filed:** **Apr. 20, 2004**

(51) **LOC (8) Cl.** ..... **11-01**

(52) **U.S. Cl.** ..... **D11/48**

(58) **Field of Classification Search** ..... **D11/48,**  
**D11/81; D8/343, 334; D3/207; 63/1.11, 3,**  
**63/12**

See application file for complete search history.

FIG. 1 is a front elevational view in accordance with an example embodiment of the present invention;  
FIG. 2 is a top plan view thereof;  
FIG. 3 is a bottom plan view thereof;  
FIG. 4 is a left side elevational view thereof;  
FIG. 5 is a right side elevational view thereof;  
FIG. 6 is a rear elevational view thereof;  
FIG. 7 is a front elevational view in accordance with a second example embodiment of the present invention;  
FIG. 8 is a top plan view thereof;  
FIG. 9 is a bottom plan view thereof;  
FIG. 10 is a left side elevational view thereof;  
FIG. 11 is a right side elevational view thereof;  
FIG. 12 is a rear elevational view thereof;  
FIG. 13 is a front elevational view in accordance with a third example embodiment of the present invention;  
FIG. 14 is a top plan view thereof;  
FIG. 15 is a bottom plan view thereof;  
FIG. 16 is a left side elevational view thereof;  
FIG. 17 is a right side elevational view thereof; and,  
FIG. 18 is a rear elevational view thereof.

(56) **References Cited**

**U.S. PATENT DOCUMENTS**

D276,408 S	*	11/1984	Zabel et al.	.....	D8/334
4,694,664 A	*	9/1987	Elsener	.....	63/12
D418,392 S	*	1/2000	Kelley	.....	D8/334
D473,446 S	*	4/2003	Quan et al.	.....	D8/334

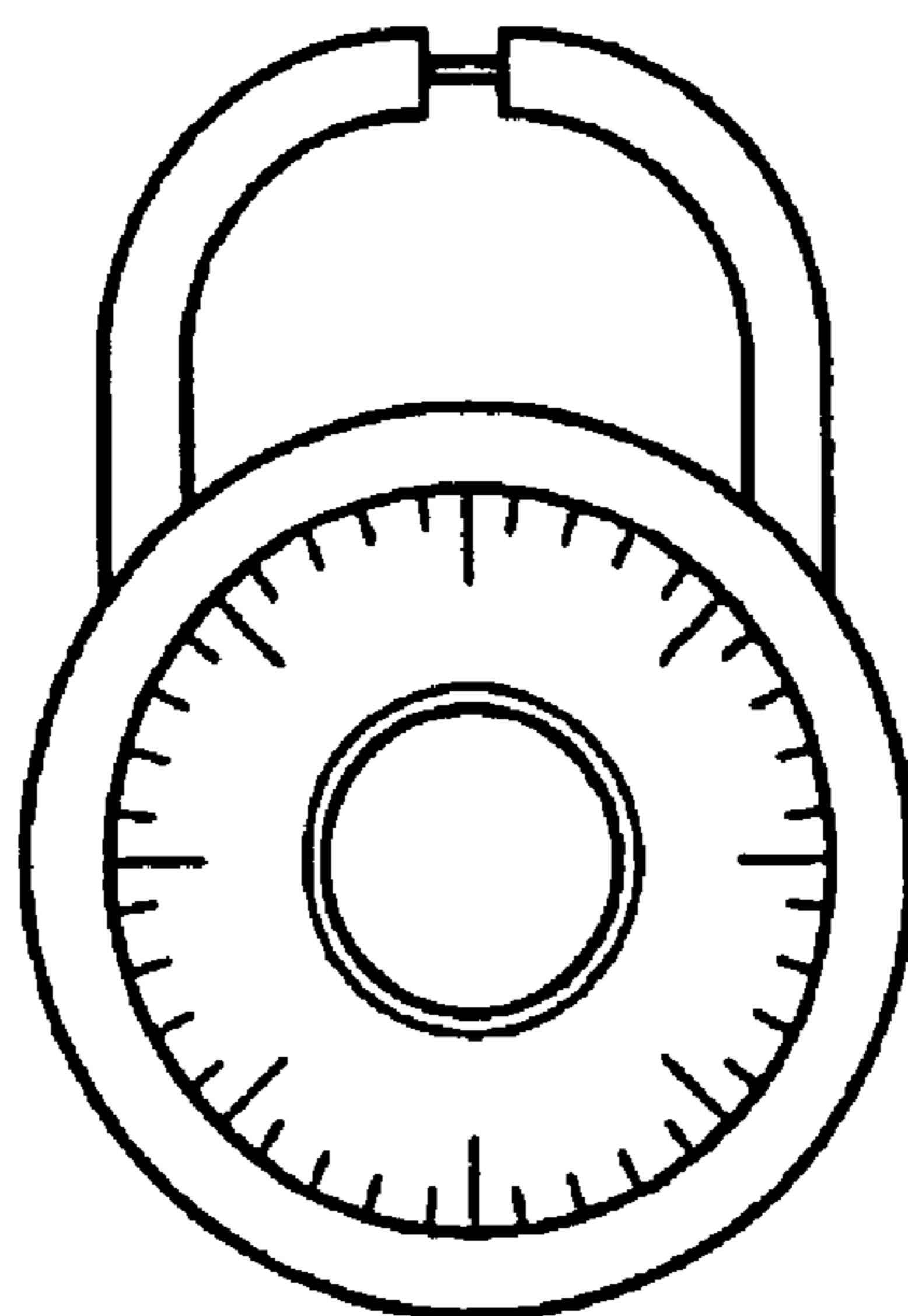
\* cited by examiner

*Primary Examiner*—Ian Simmons

*Assistant Examiner*—Sarah Gill

(74) *Attorney, Agent, or Firm*—Ostrolenk, Faber, Gerb & Soffen, LLP

**1 Claim, 3 Drawing Sheets**



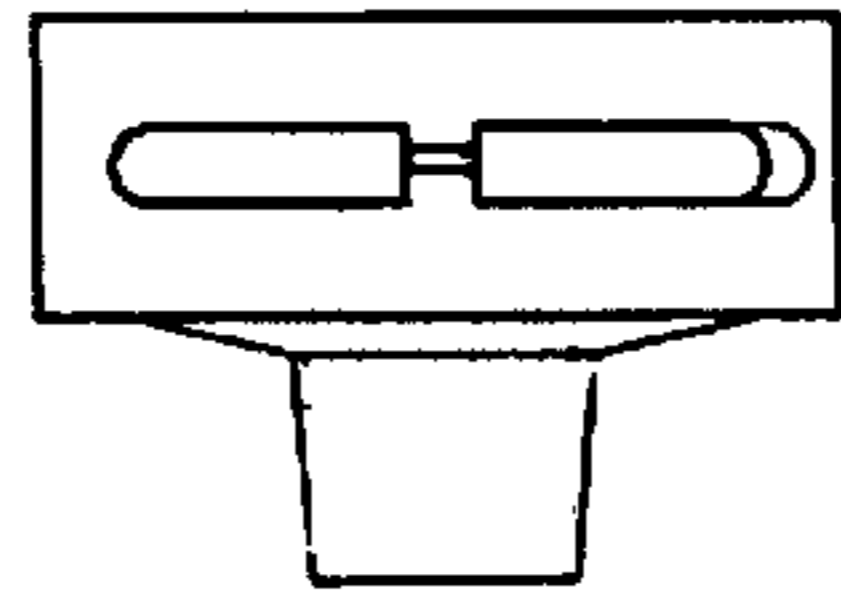


Figure 2

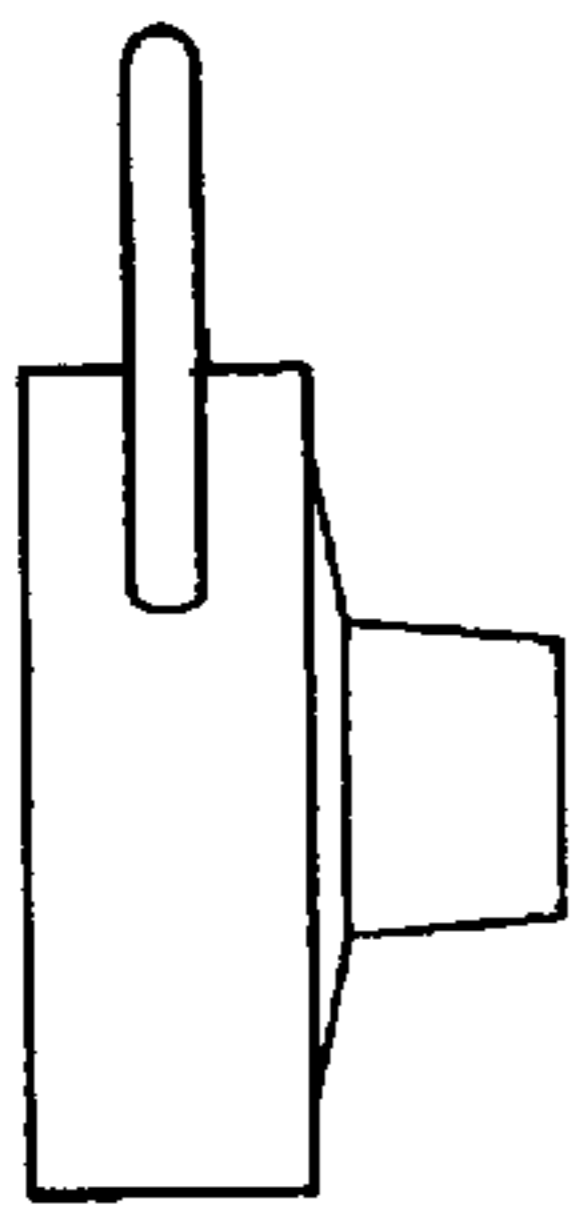


Figure 4

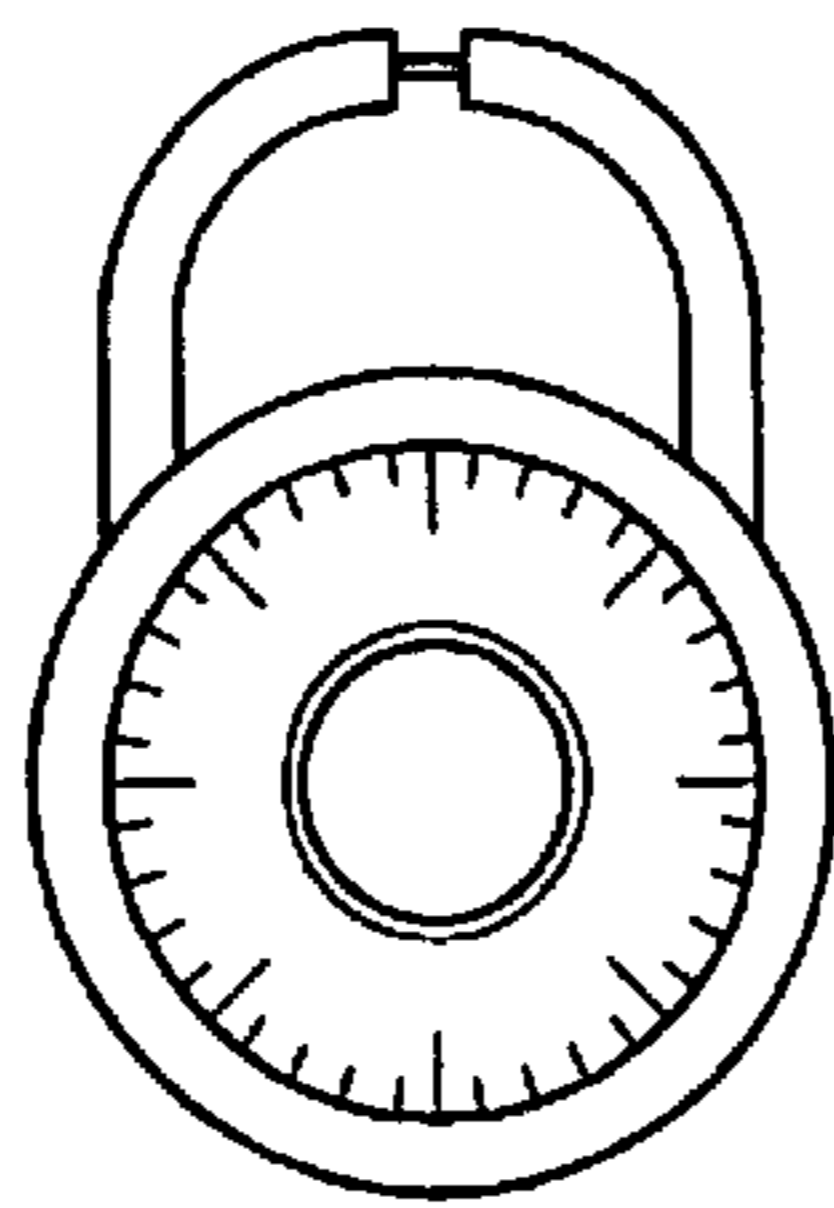


Figure 1

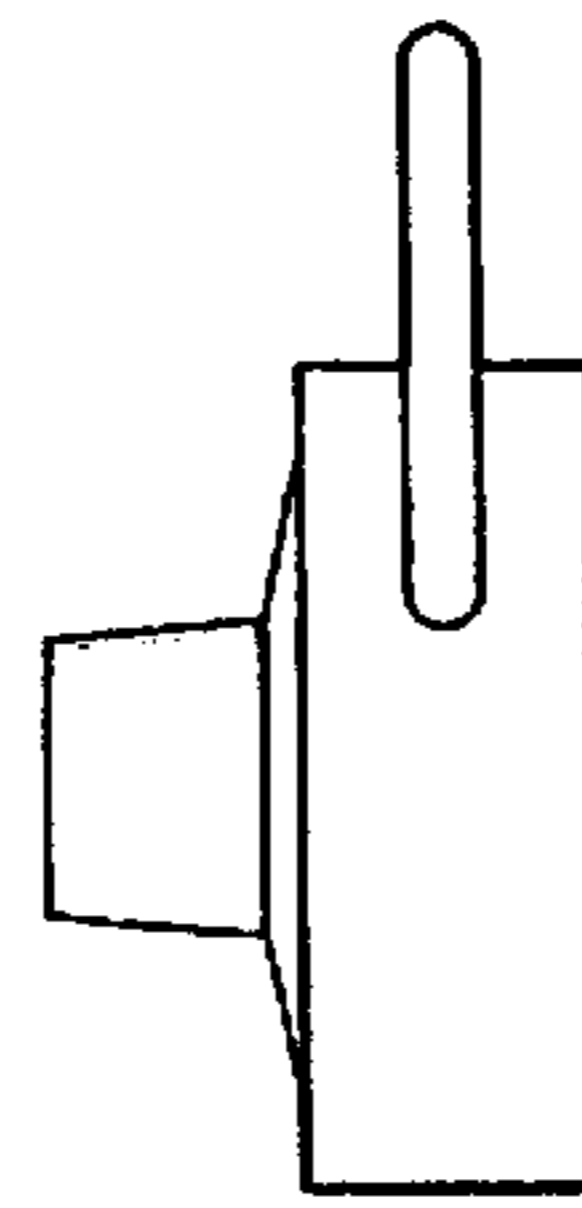


Figure 5

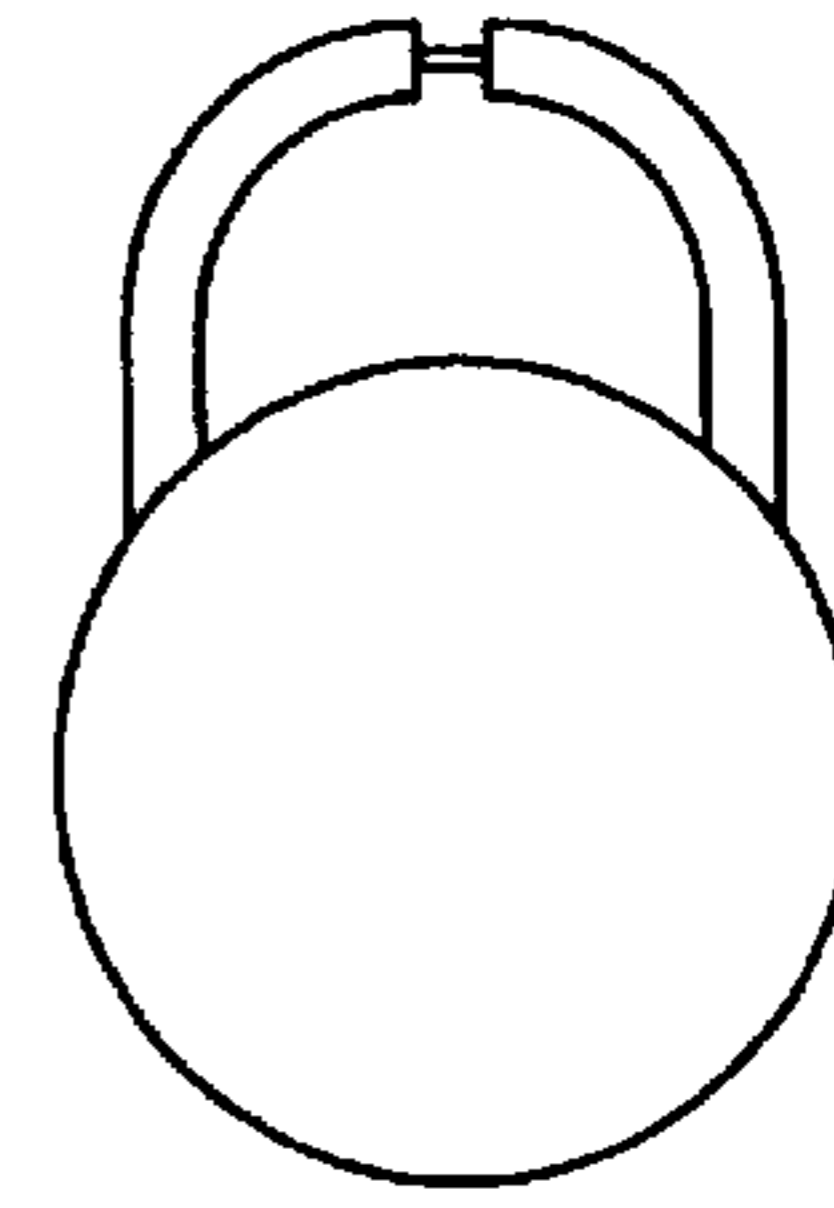


Figure 6

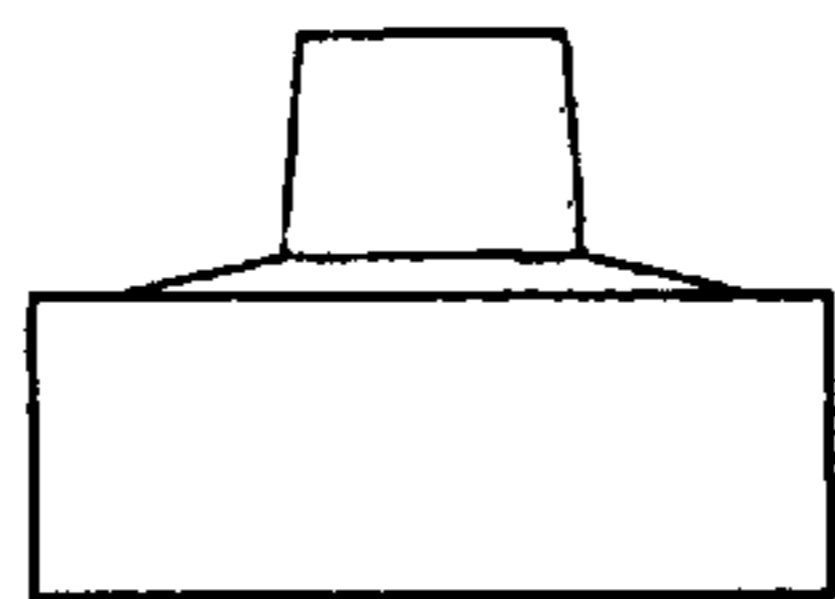


Figure 3

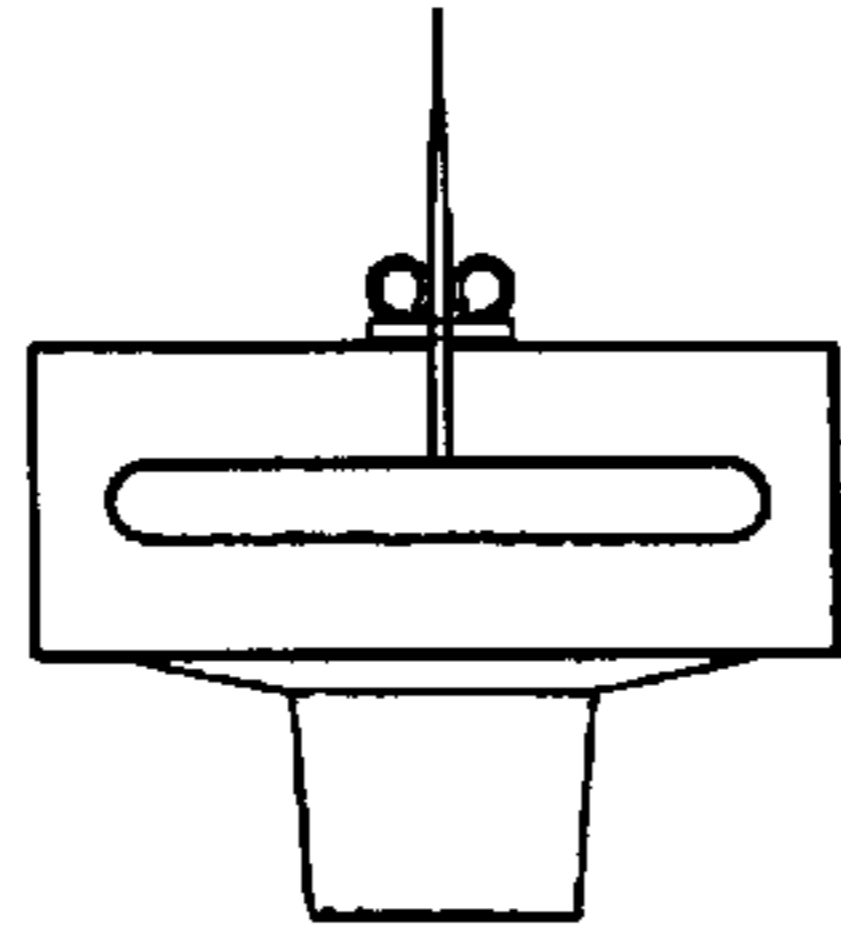


Figure 8

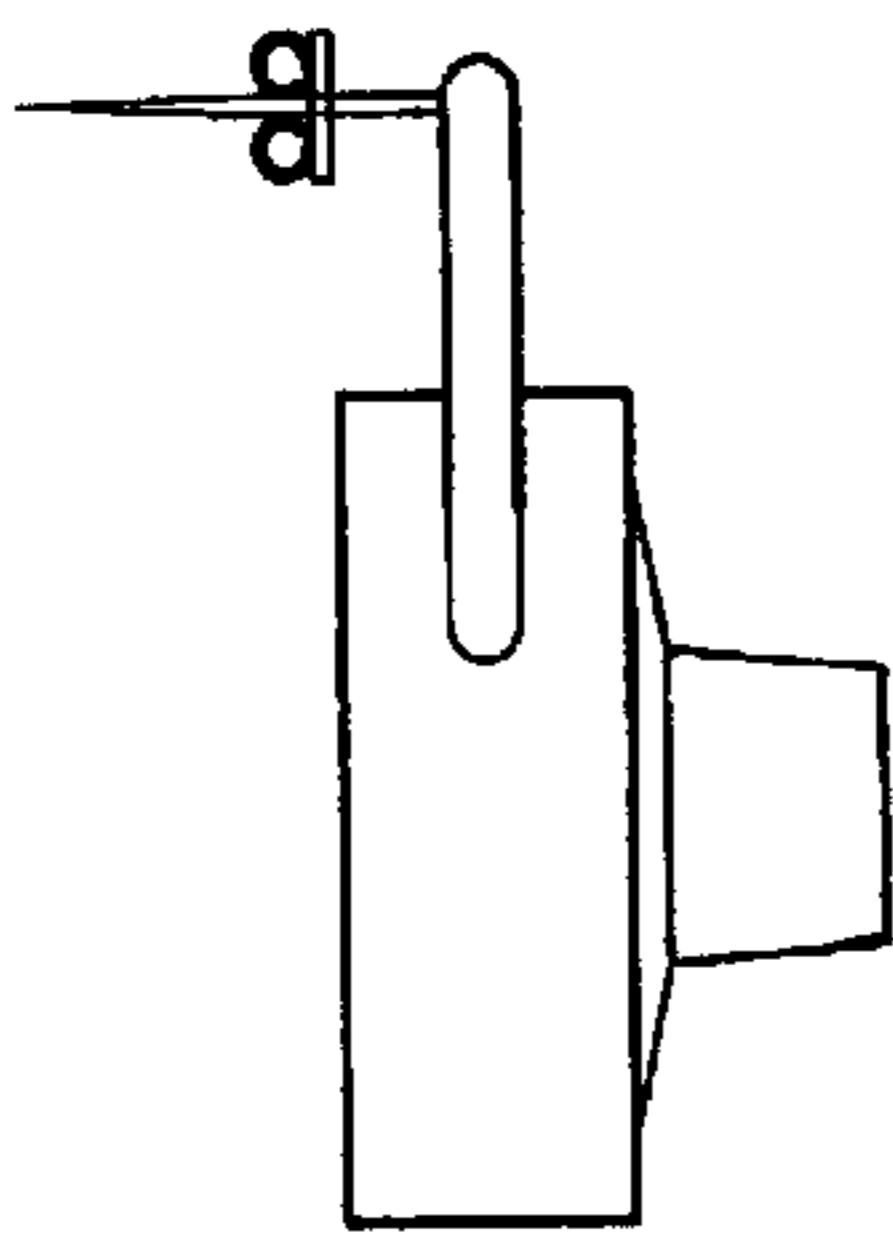


Figure 10

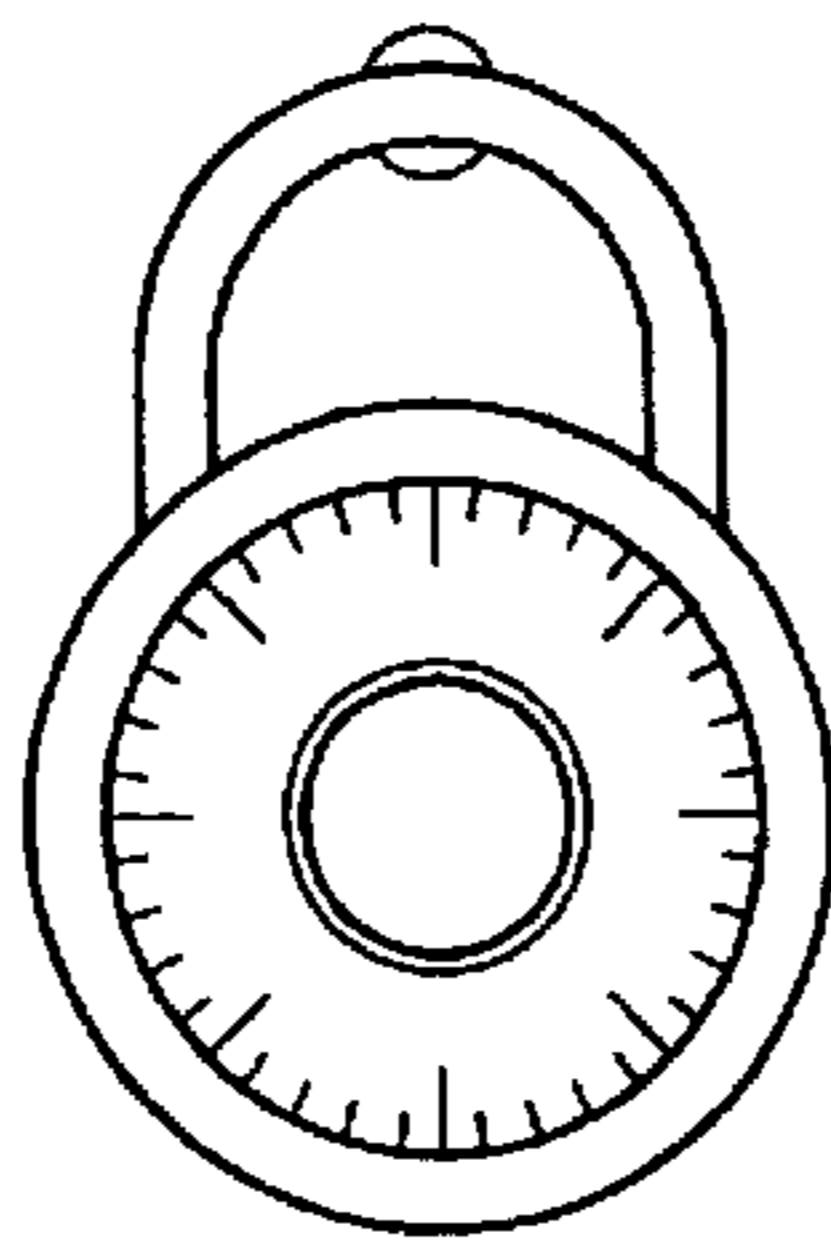


Figure 7

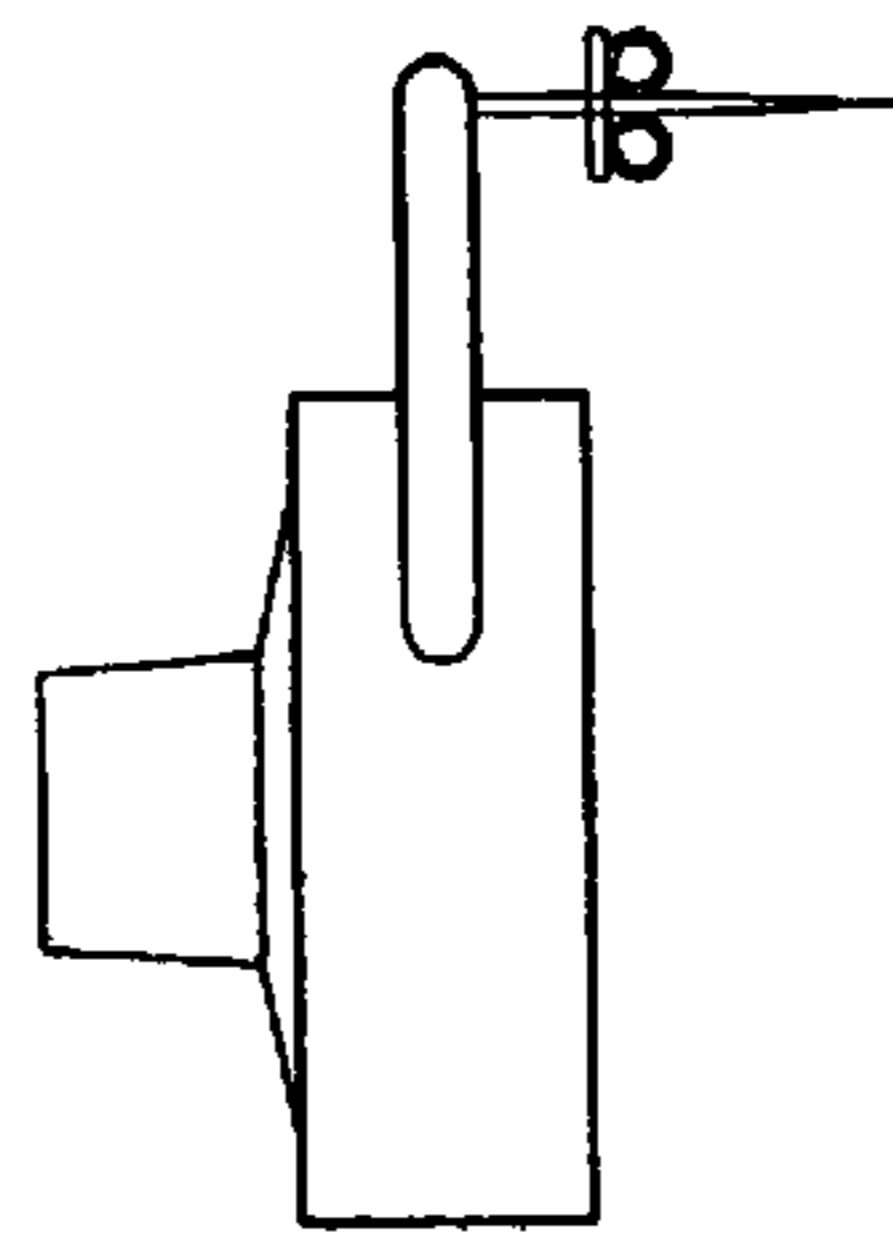


Figure 11

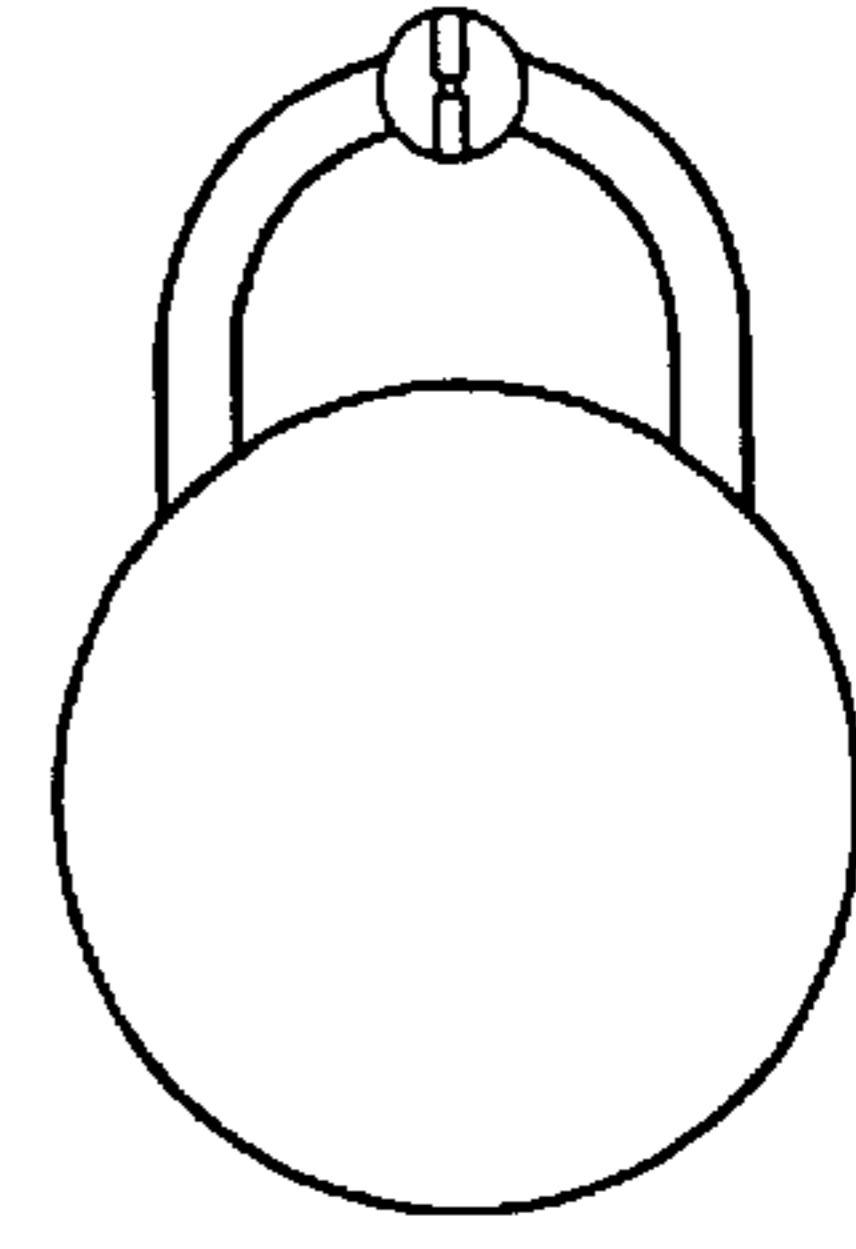


Figure 12

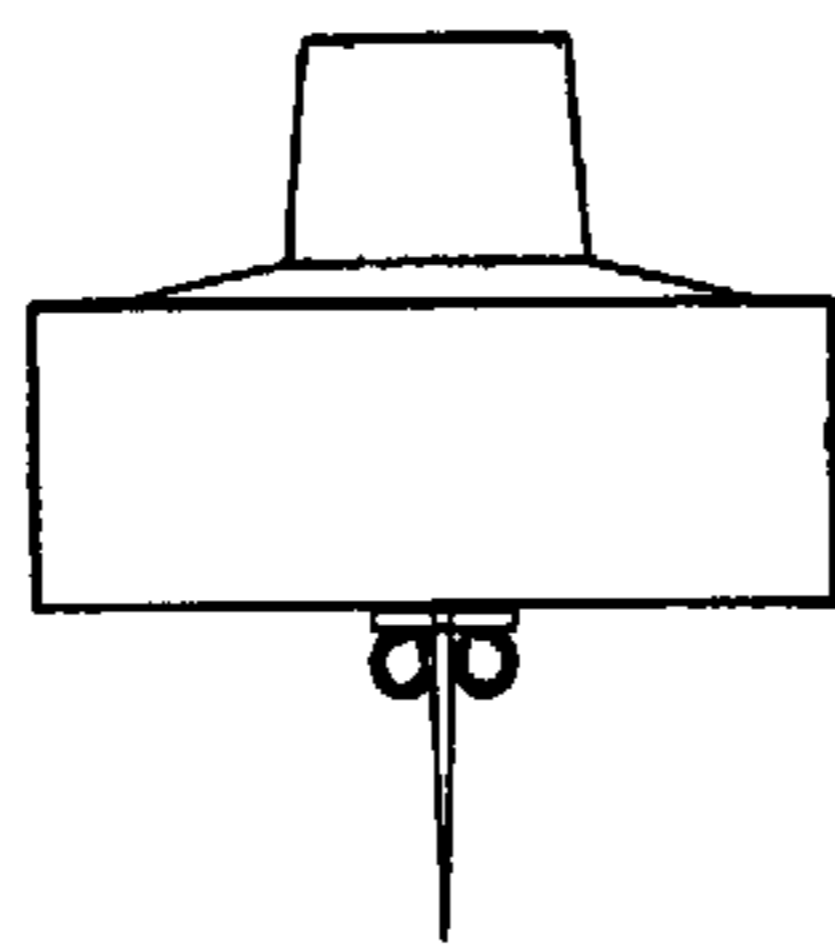


Figure 9

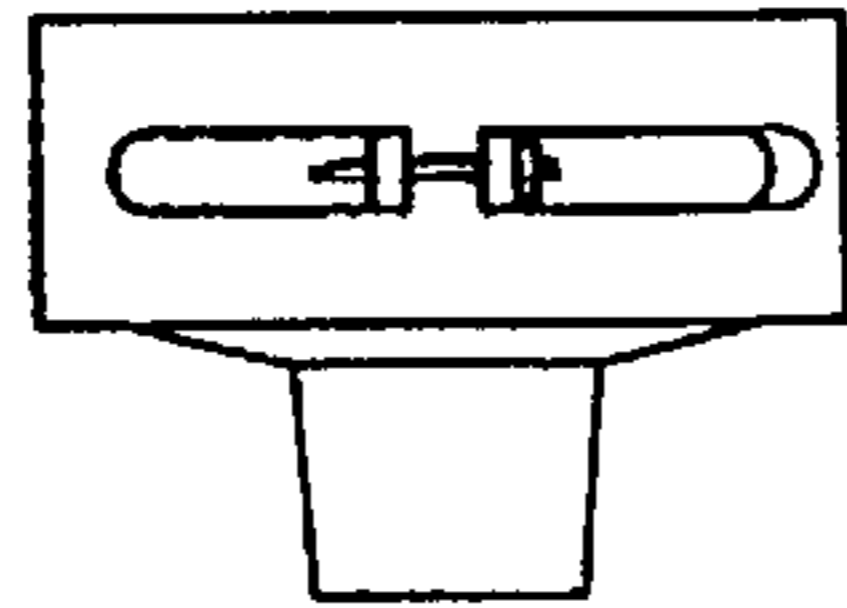


Figure 14

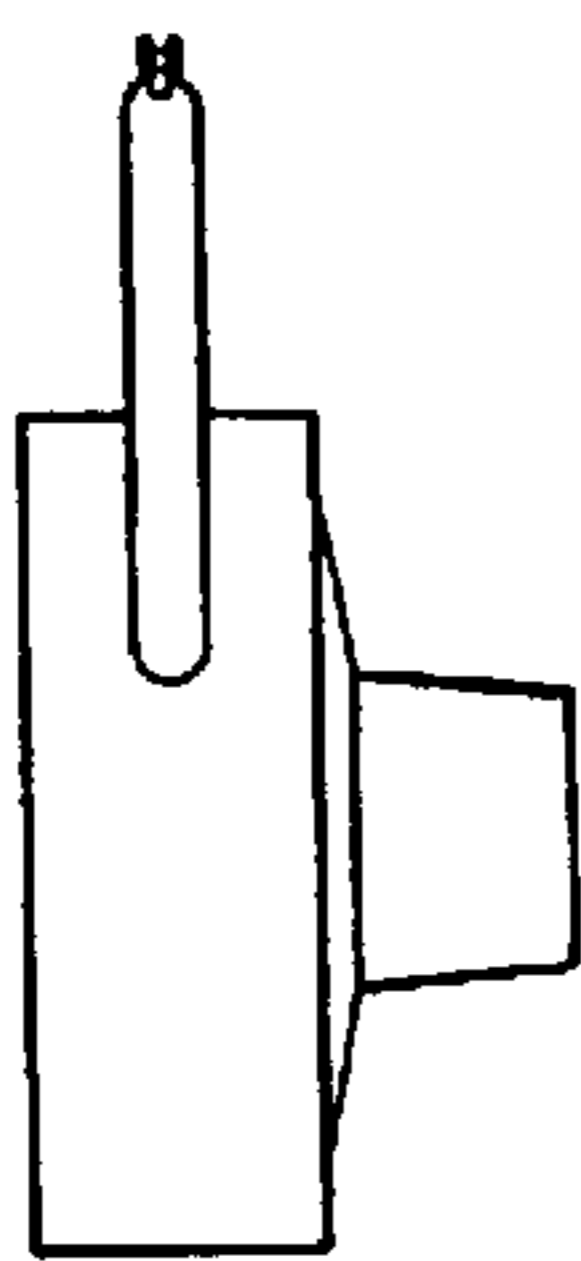


Figure 16

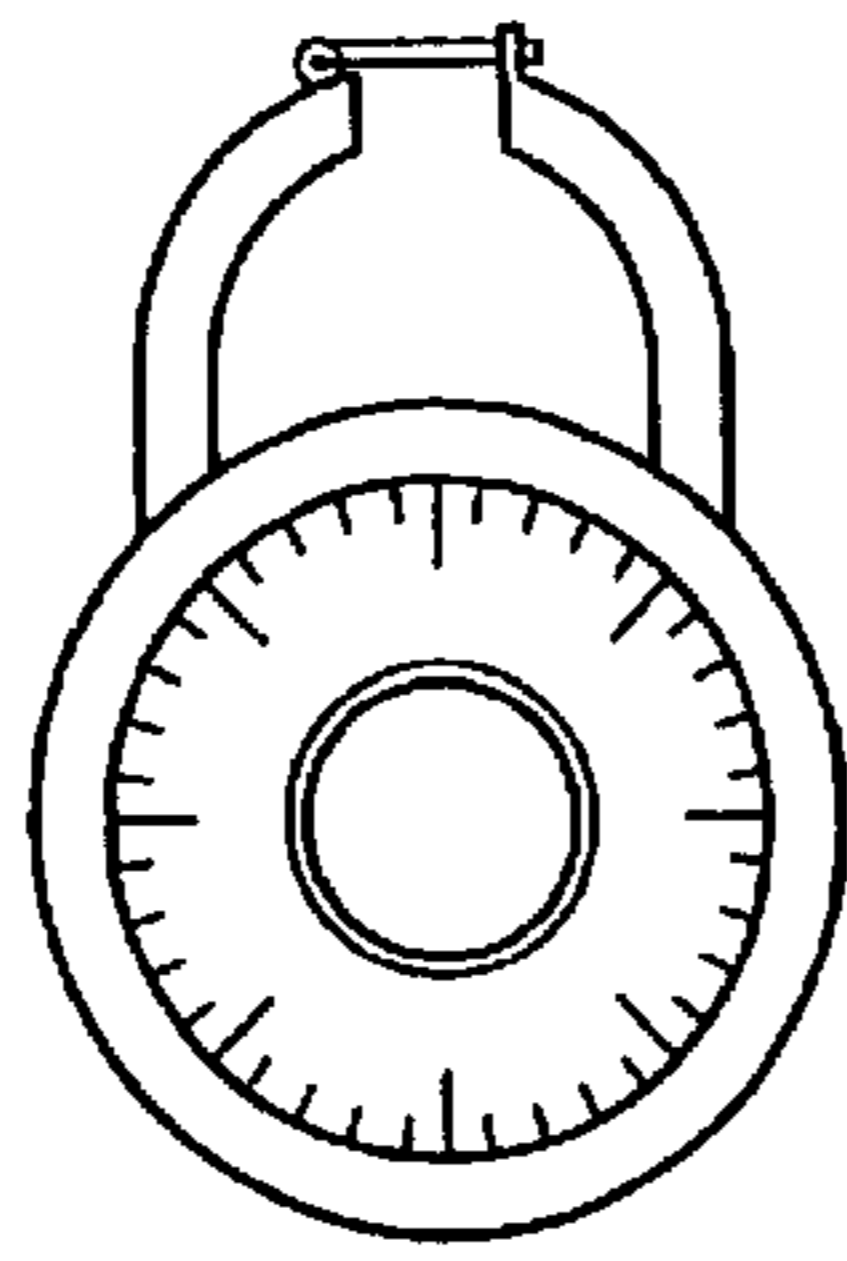


Figure 13

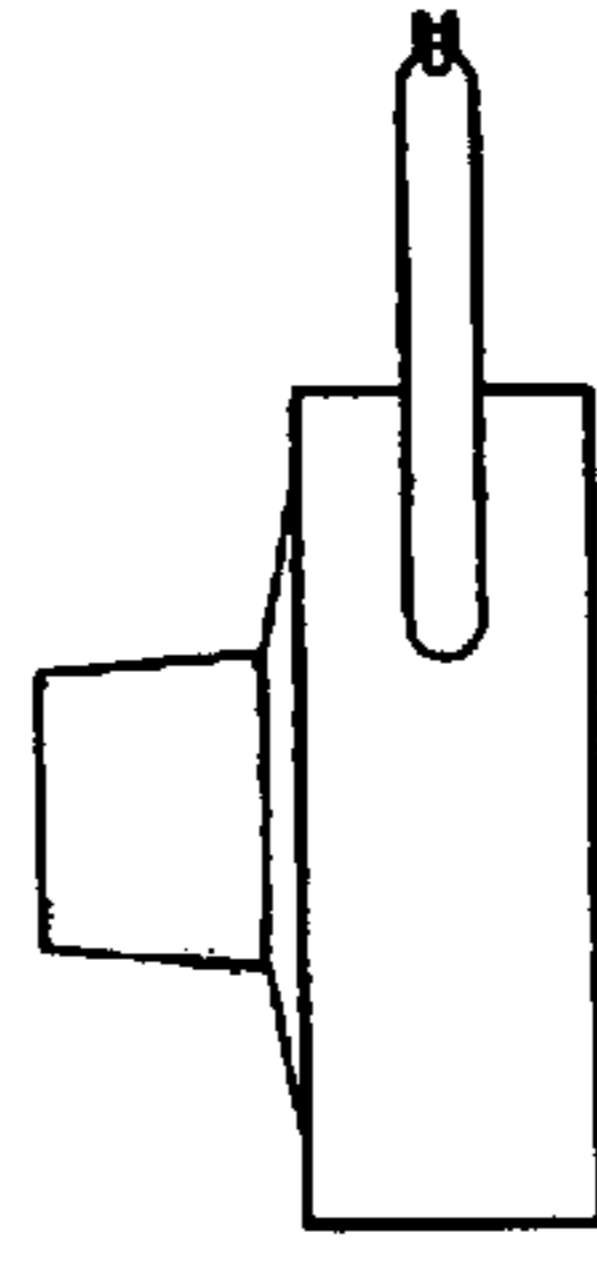


Figure 17

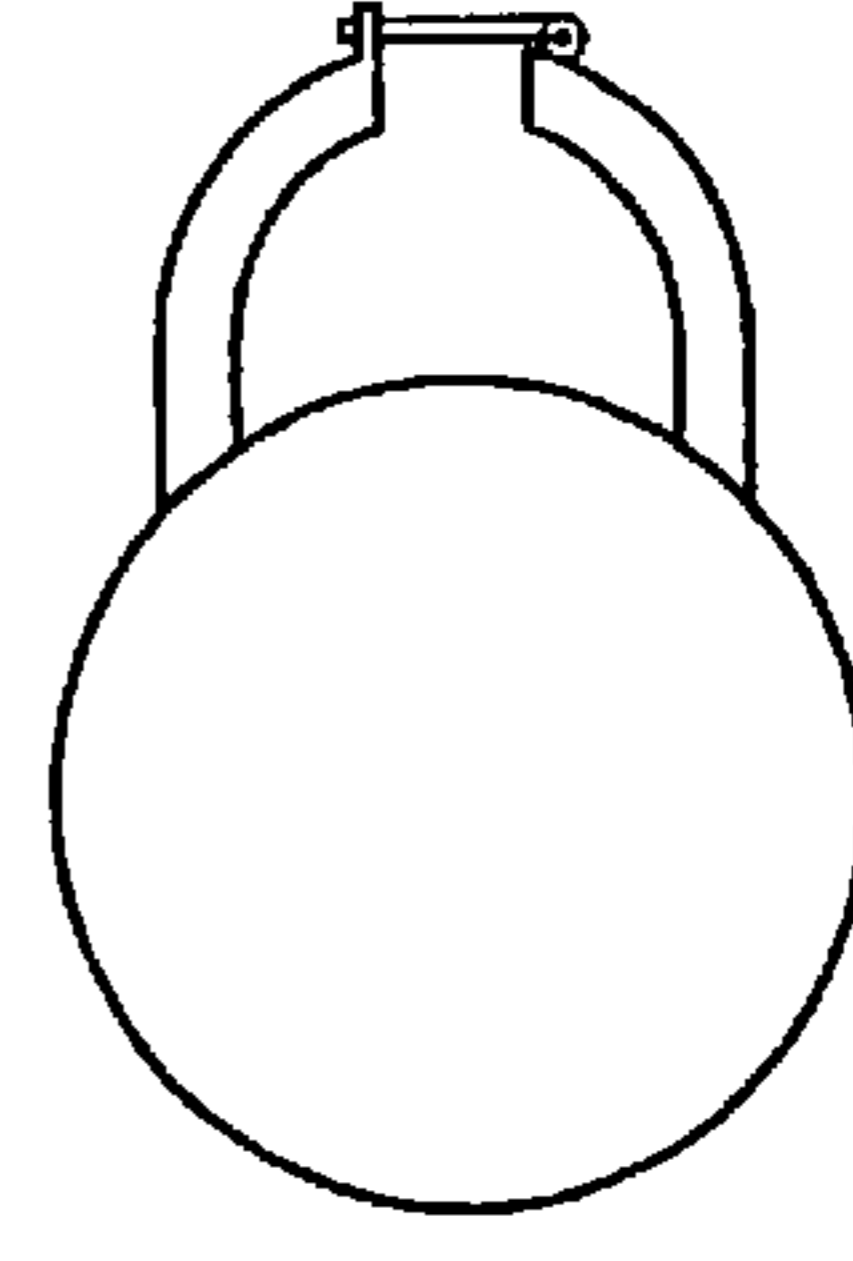


Figure 18

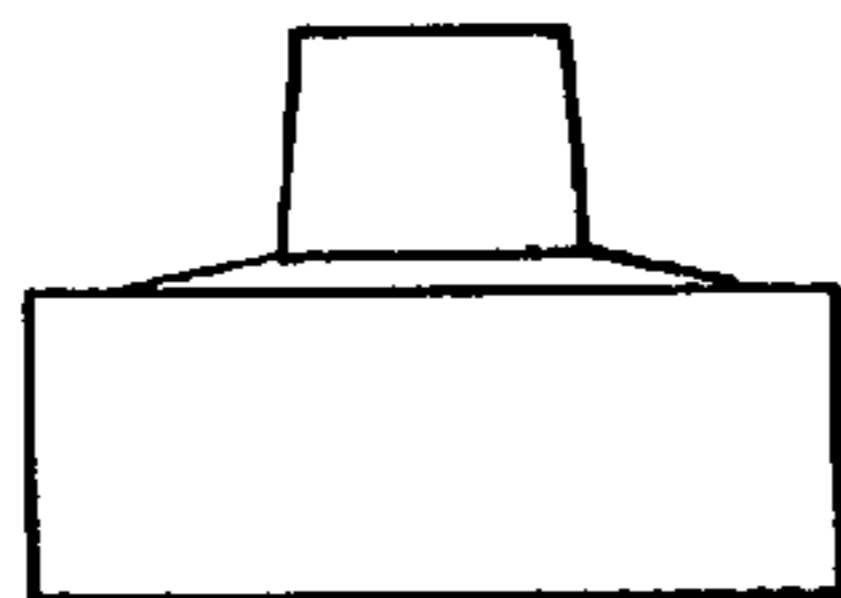


Figure 15