



US00D515447S

(12) **United States Design Patent**
Gilliam

(10) **Patent No.:** **US D515,447 S**

(45) **Date of Patent:** **** Feb. 21, 2006**

(54) **CAR ALARM**

(76) **Inventor:** **Tammy D. Gilliam**, 5692 Heartwood Dr., Memphis, TN (US) 38135

(**) **Term:** **14 Years**

(21) **Appl. No.:** **29/222,484**

(22) **Filed:** **Jan. 31, 2005**

(51) **LOC (8) Cl.** **10-05**

(52) **U.S. Cl.** **D10/106**

(58) **Field of Classification Search** D21/329;
D14/217, 137, 138; D13/184, 168; D10/104,
D10/106, 116; D3/230, 280; 455/84, 128;
374/141; 340/573.1, 539.15, 573.4, 426.25,
340/426.24, 426.21, 426.19, 426.1; 206/305
See application file for complete search history.

6,100,792 A 8/2000 Ogino et al.
6,127,931 A * 10/2000 Mohr 340/573.4
D453,698 S * 2/2002 Marks D10/104
6,563,421 B1 5/2003 Wheeler
6,593,851 B1 * 7/2003 Bornstein 340/539.15
D482,006 S 11/2003 Stekelenburg
2002/0097152 A1 7/2002 Mengrone et al.
2002/0190873 A1 12/2002 Flick
2005/0083204 A1 * 4/2005 Stewart 340/573.1

* cited by examiner

Primary Examiner—Cathron C. Brooks

Assistant Examiner—Austin Murphy

(74) *Attorney, Agent, or Firm*—Lawrence J. Gibney

(57) **CLAIM**

The ornamental design for a car alarm, as shown and described.

DESCRIPTION

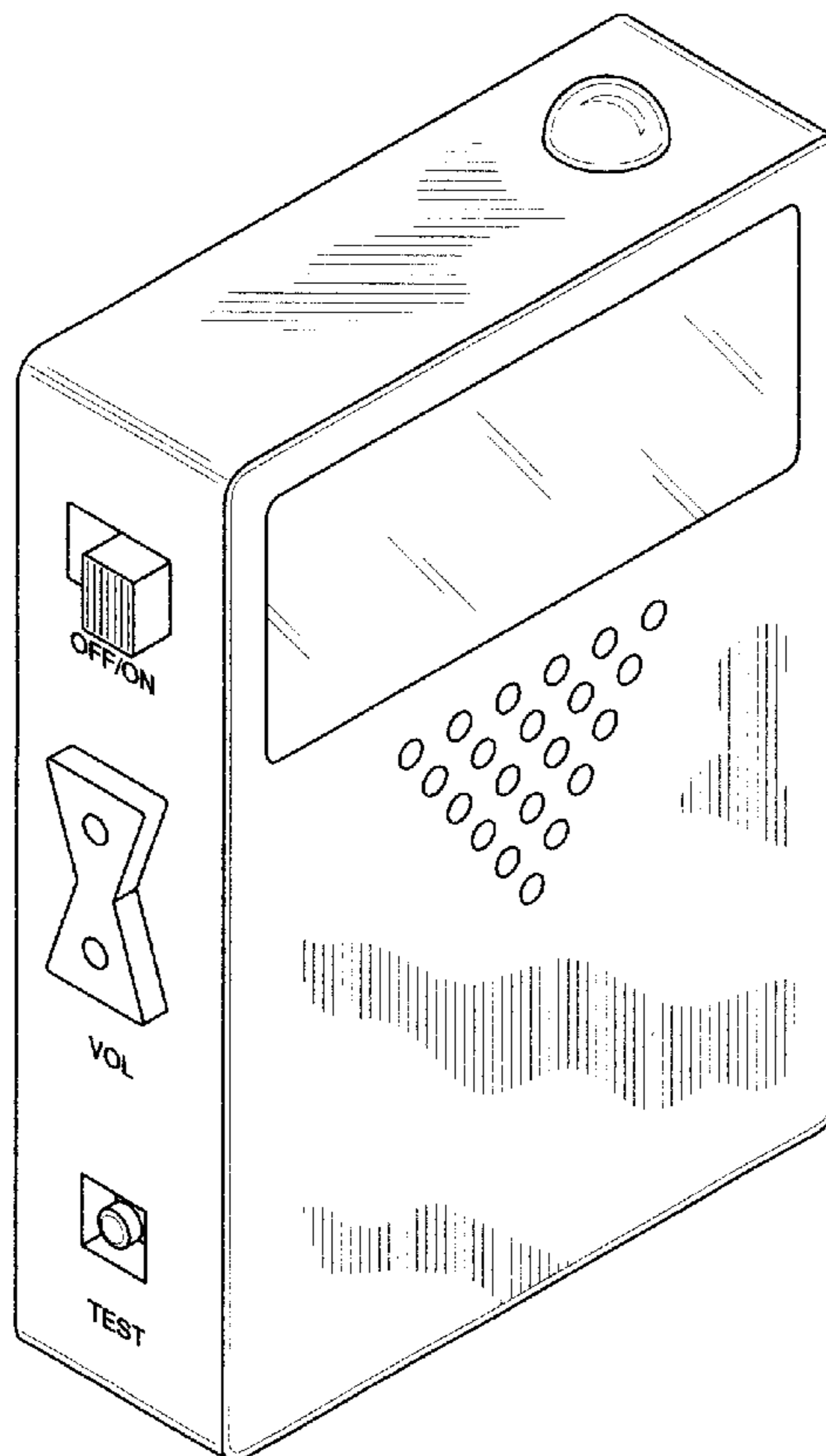
FIG. 1 is a front view of the device.
FIG. 2 is a rear view of the device.
FIG. 3 is a left side view of the device.
FIG. 4 is a right side view of the device.
FIG. 5 is view of the top side of the device.
FIG. 6 is a view of the bottom side of the device; and,
FIG. 7 is a perspective view of the device.

(56) **References Cited**

U.S. PATENT DOCUMENTS

D310,664 S * 9/1990 Murphy D14/137
5,309,145 A * 5/1994 Branch et al. 340/540
D364,850 S * 12/1995 Estrada et al. D14/346
5,479,148 A 12/1995 Umemoto
5,689,240 A * 11/1997 Traxler 340/573.4
5,774,038 A * 6/1998 Welch et al. 340/286.05
D427,099 S * 6/2000 Hunter D10/104
6,078,260 A * 6/2000 Desch 340/573.1

1 Claim, 5 Drawing Sheets



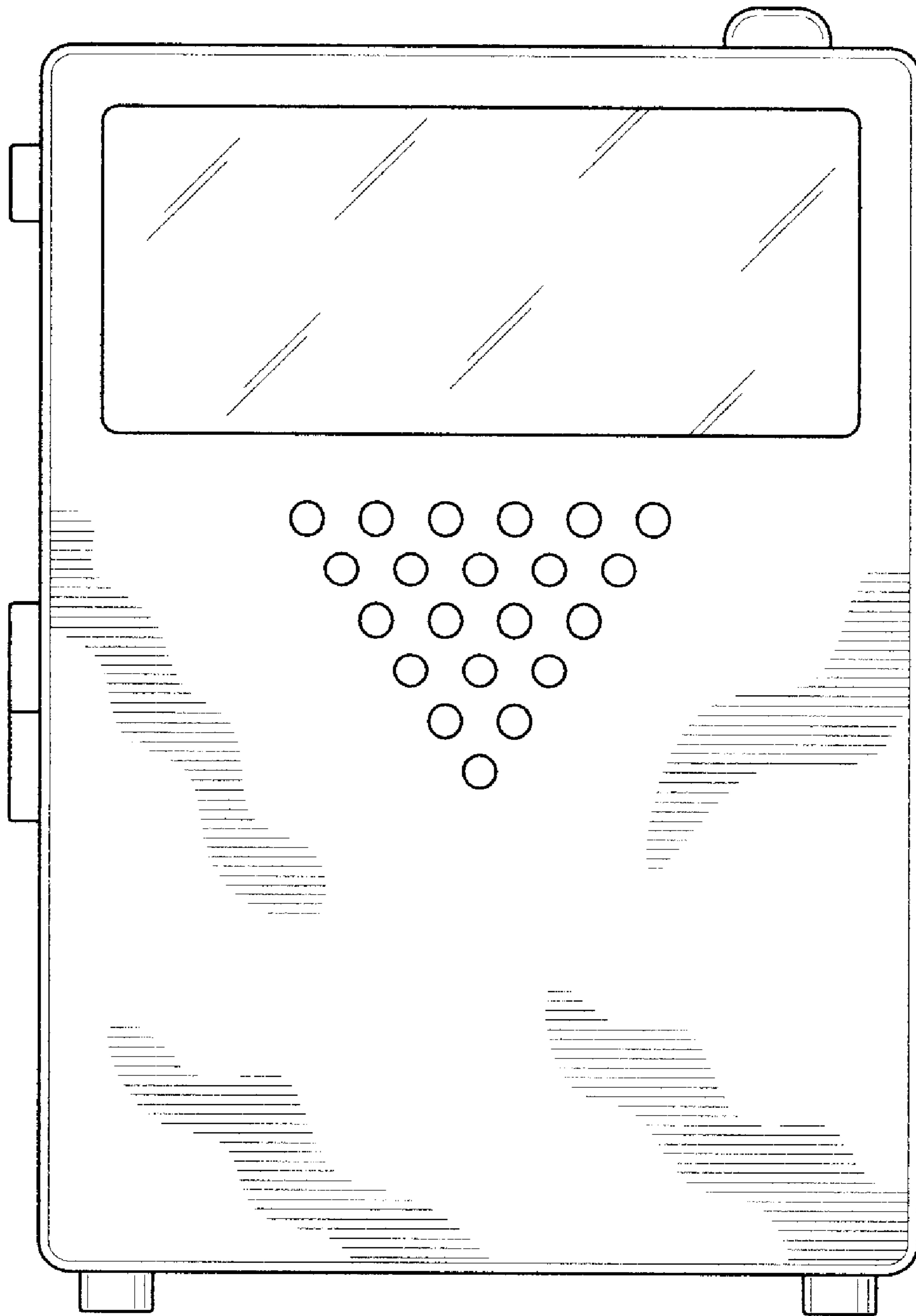


FIG. 1

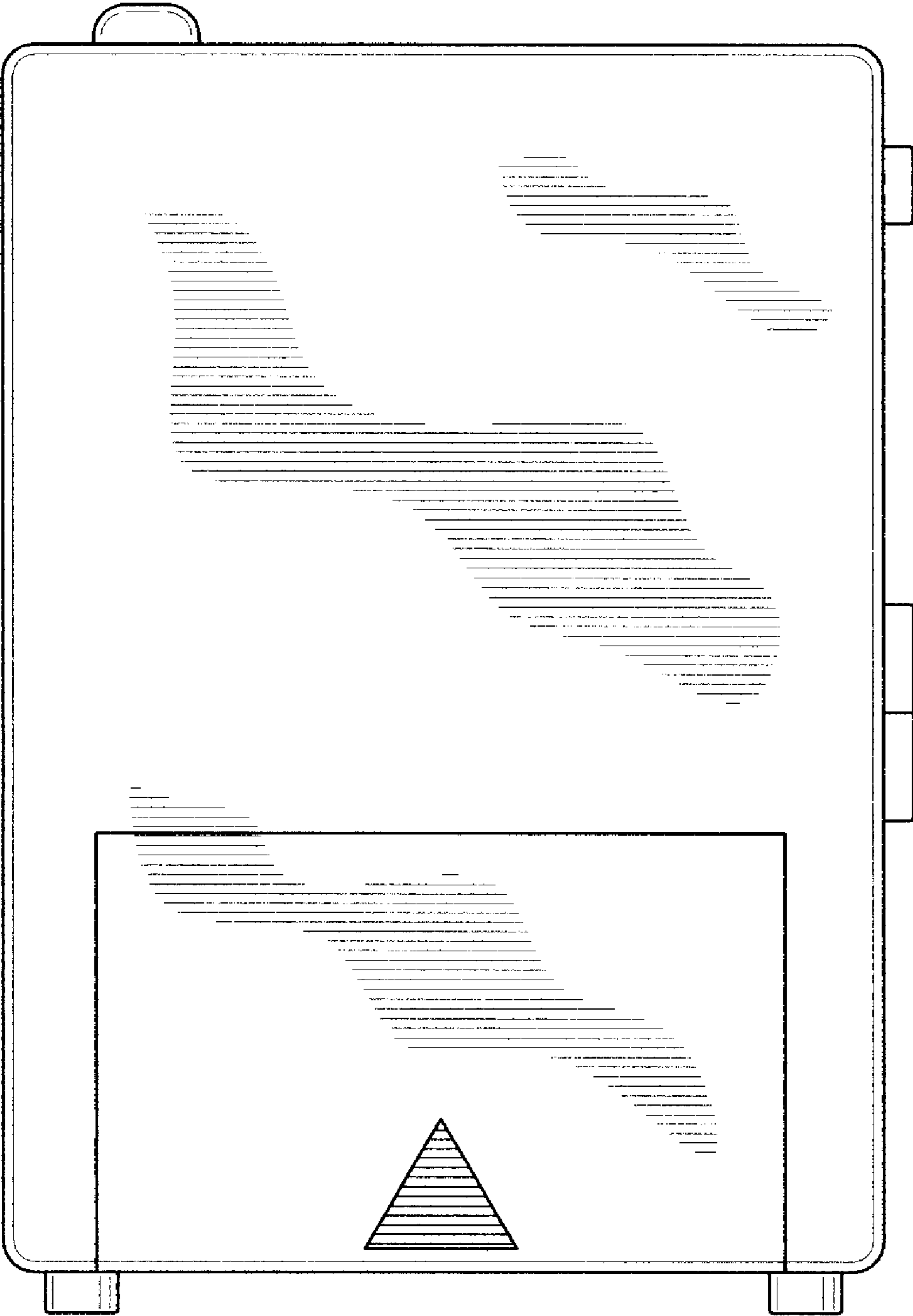


FIG.2

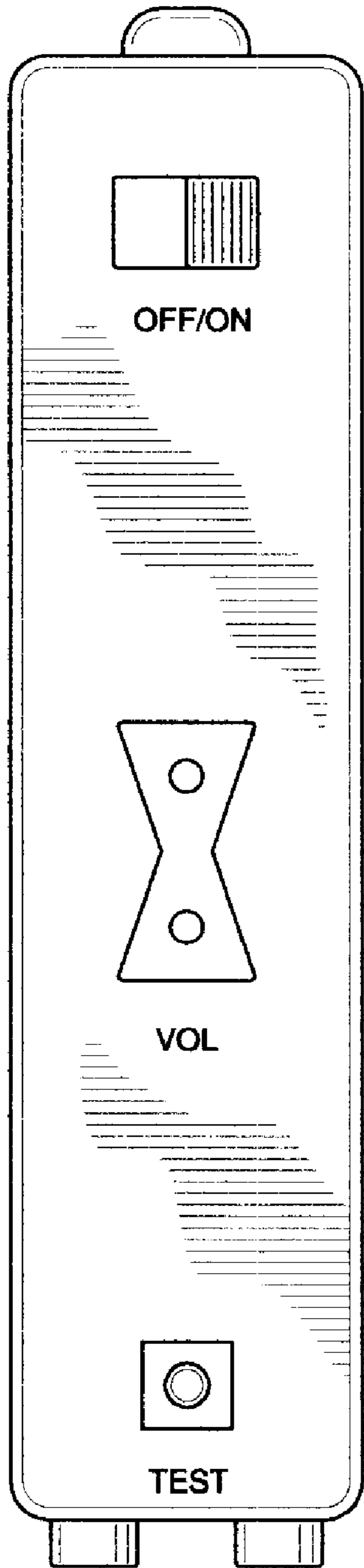


FIG. 3

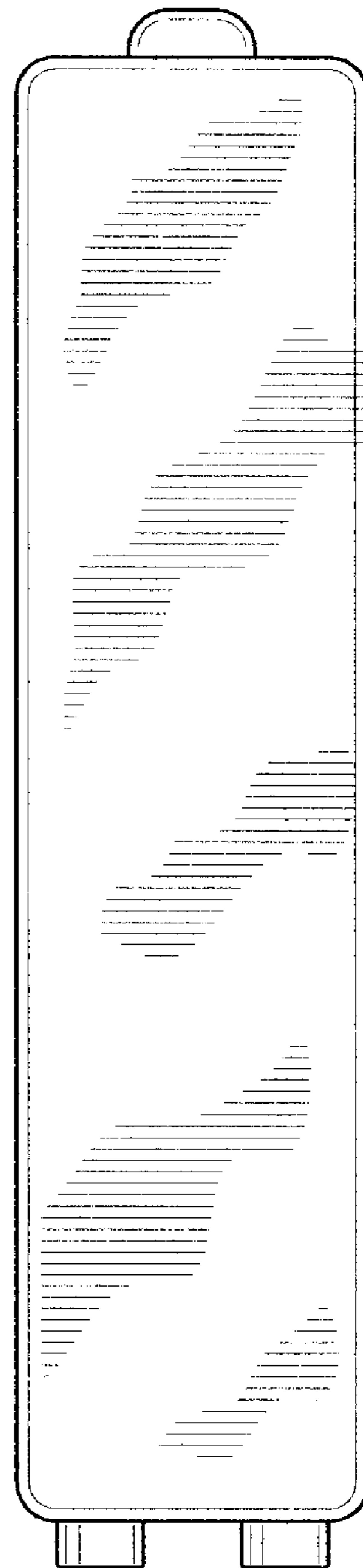


FIG. 4

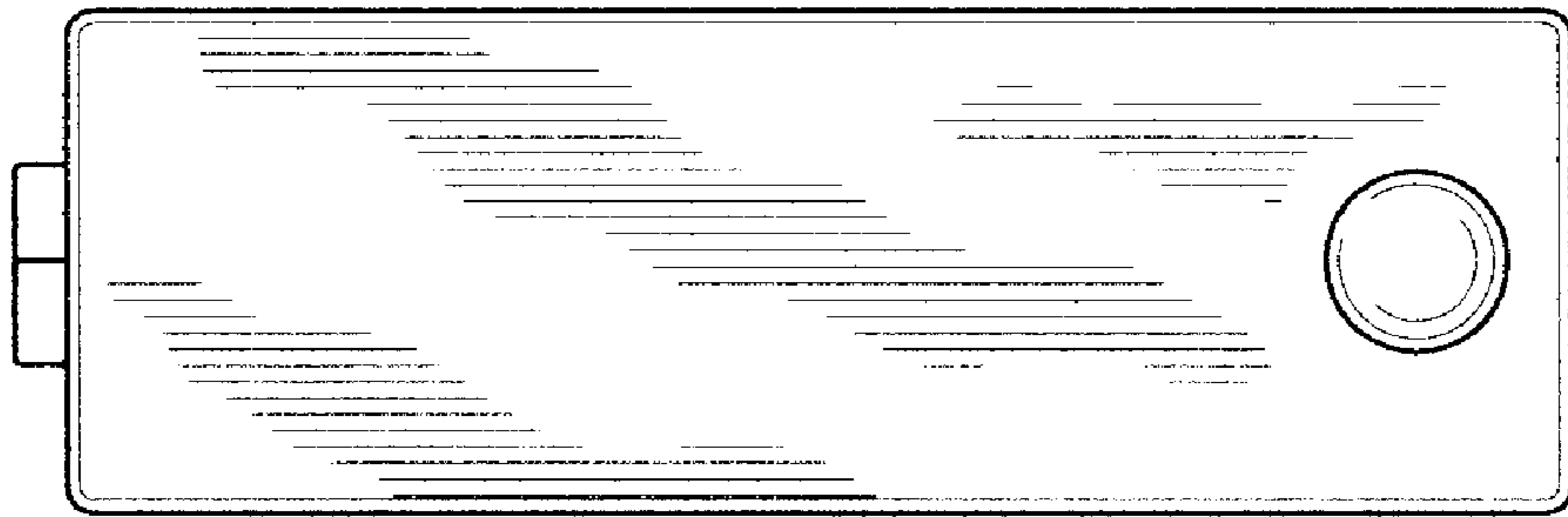


FIG. 5

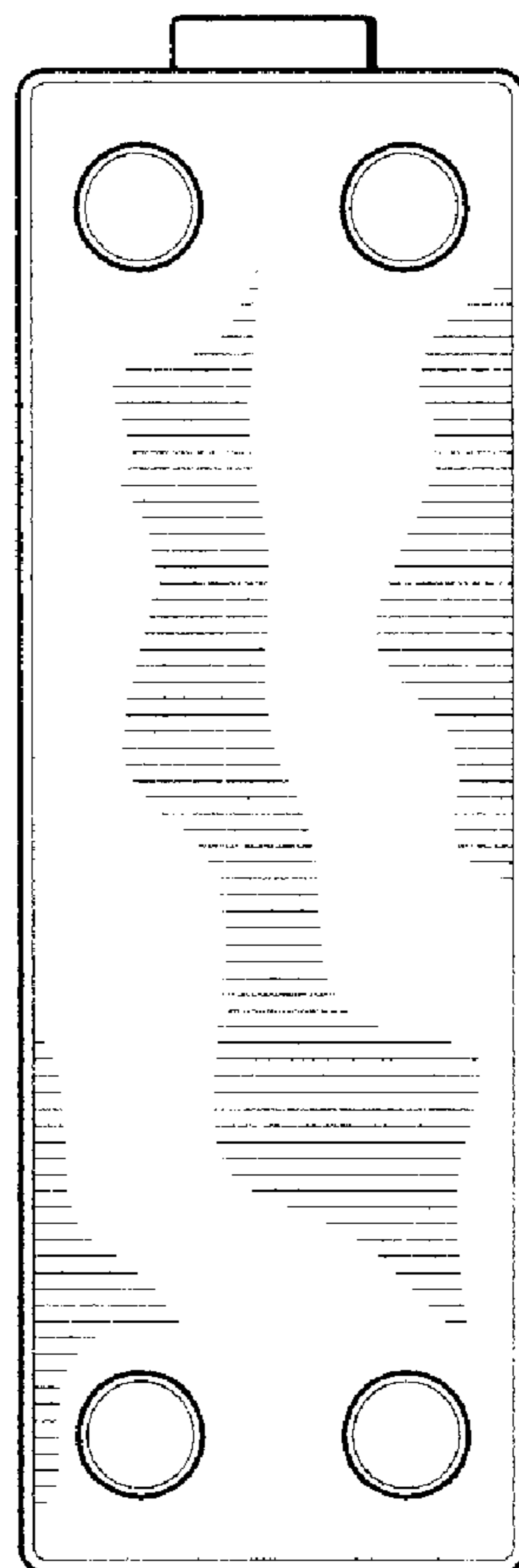


FIG. 6

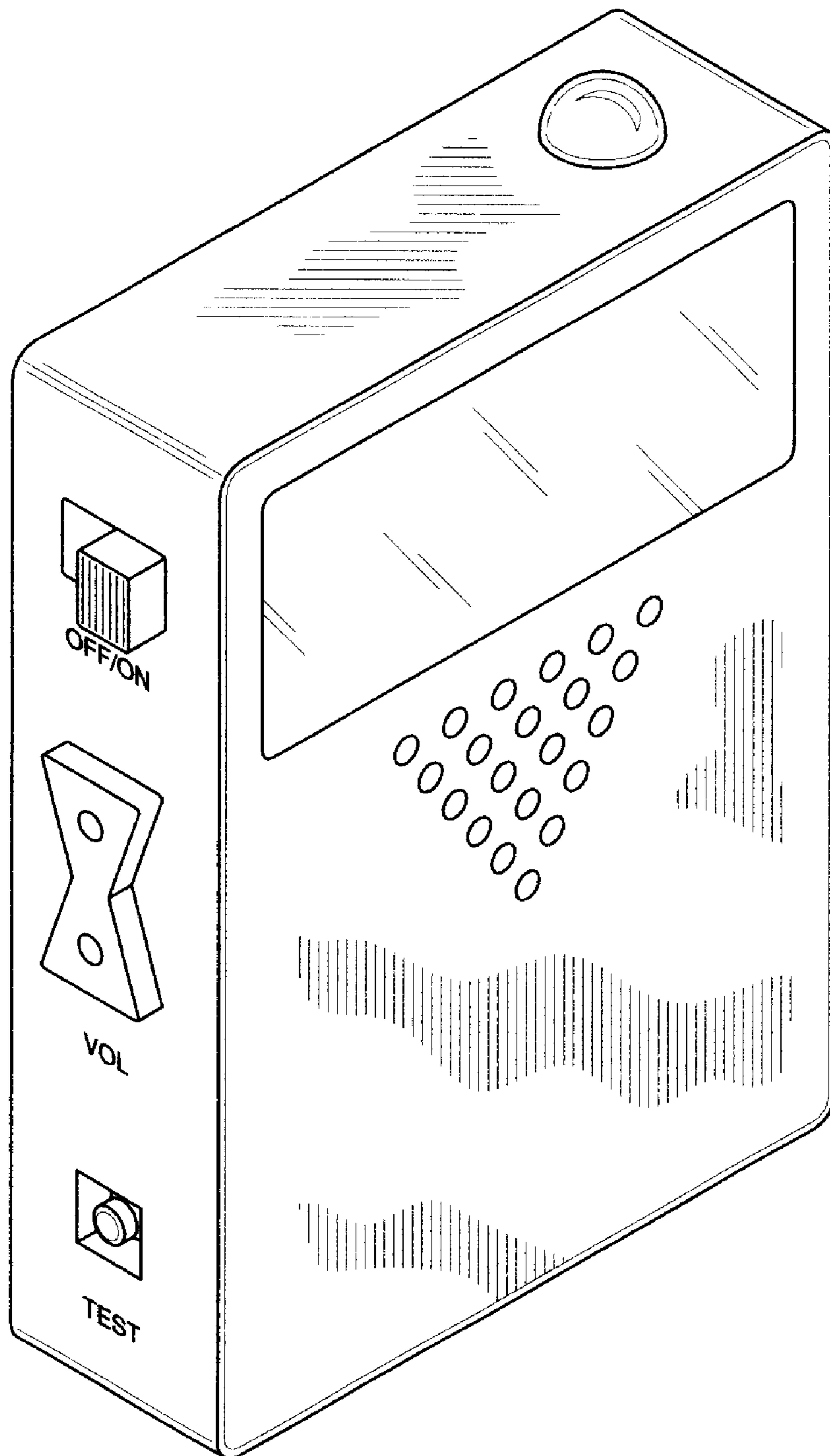


FIG.7