

US00D515446S

(12) **United States Design Patent**  
**Viscosi et al.**

(10) **Patent No.:** **US D515,446 S**

(45) **Date of Patent:** **\*\* Feb. 21, 2006**

(54) **AUTOMOTIVE GAGE**

(75) Inventors: **Robert C. Viscosi**, Lancaster, PA (US);  
**Timothy Joyce**, Spanish Fork, UT (US)

(73) Assignee: **Maxima Technologies & Systems, LLC**, Lancaster, PA (US)

(\*\*) Term: **14 Years**

(21) Appl. No.: **29/208,419**

(22) Filed: **Jun. 28, 2004**

(51) **LOC (8) Cl.** ..... **10-04**

(52) **U.S. Cl.** ..... **D10/96**

(58) **Field of Classification Search** ..... D10/98;  
116/62.1-62.4, DIG. 35, DIG. 36

See application file for complete search history.

(56) **References Cited**

**U.S. PATENT DOCUMENTS**

- 2,806,132 A \* 9/1957 De Fusco et al. .... 362/28
- D201,255 S \* 6/1965 Czaper et al. .... D10/102
- D244,763 S \* 6/1977 Stefaniak ..... D10/98
- D277,367 S \* 1/1985 Huret et al. .... D10/98

\* cited by examiner

*Primary Examiner*—Antoine D. Davis

(74) *Attorney, Agent, or Firm*—Barley Snyder LLC

(57) **CLAIM**

The ornamental design for an automotive gage, as shown and described.

**DESCRIPTION**

FIG. 1 shows a front perspective view of an automotive gage with a scalloped bezel, three-dimensional needle, and push-buttons according to an alternate embodiment of the inventive design having an enlarged face.

FIG. 2 shows a rear perspective view of the automotive gage of FIG. 1 with connector flats omitted on the rear of the gage.

FIG. 3 shows a front view of the automotive gage of FIG. 1.

FIG. 4 shows a rear view of the automotive gage of FIG. 1.

FIG. 5 shows a right side view of the automotive gage of FIG. 1.

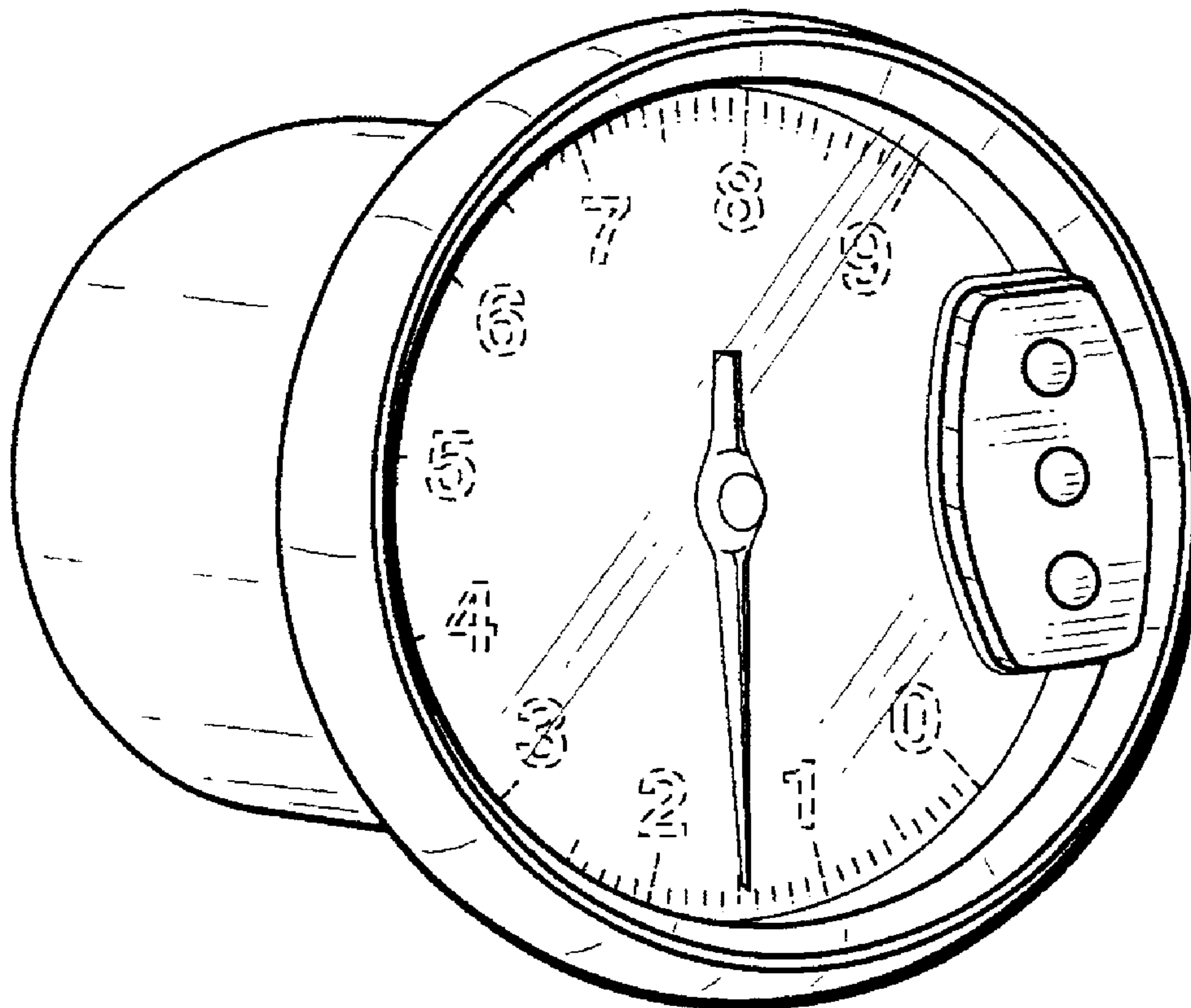
FIG. 6 shows a left side view of the automotive gage of FIG. 1.

FIG. 7 shows a front perspective view an automotive gage with a scalloped bezel and three-dimensional needle according to another alternate embodiment of the inventive design having no push-buttons; and,

FIG. 8 shows a rear perspective view of the automotive gage of FIG. 7.

The broken line showing is for illustrative purposes only and forms no part of the claimed design.

**1 Claim, 4 Drawing Sheets**



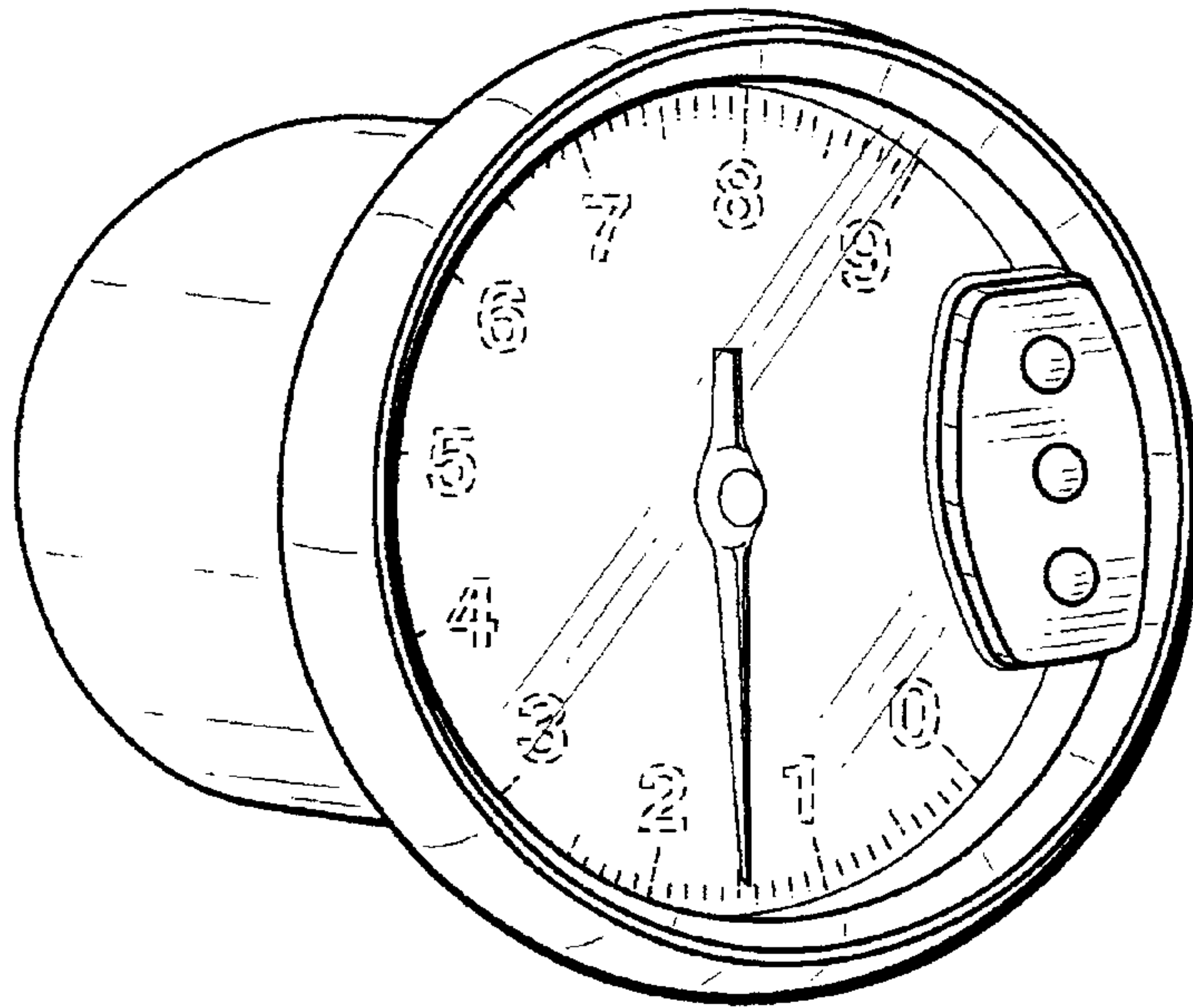


FIG. 1

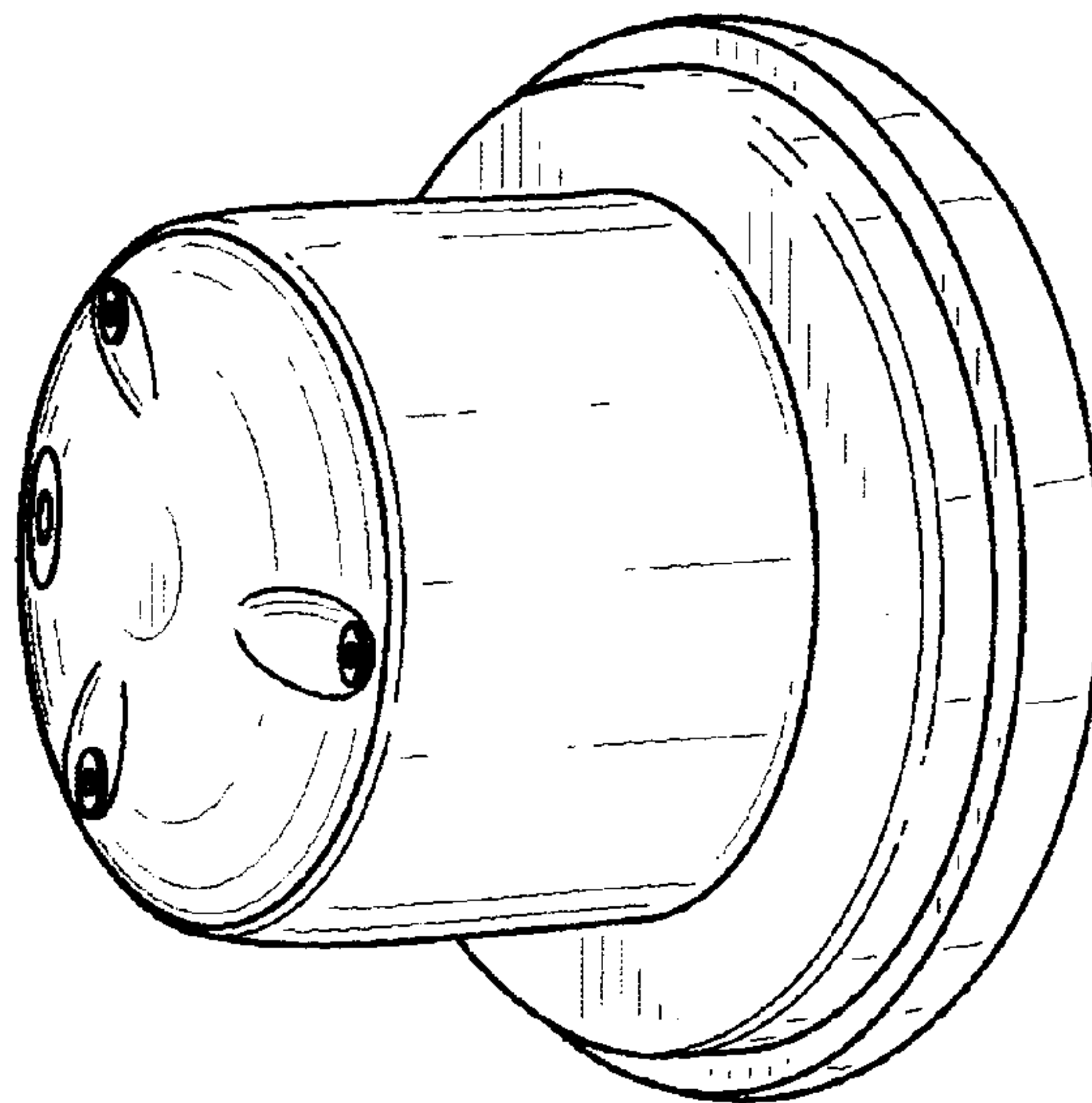


FIG. 2

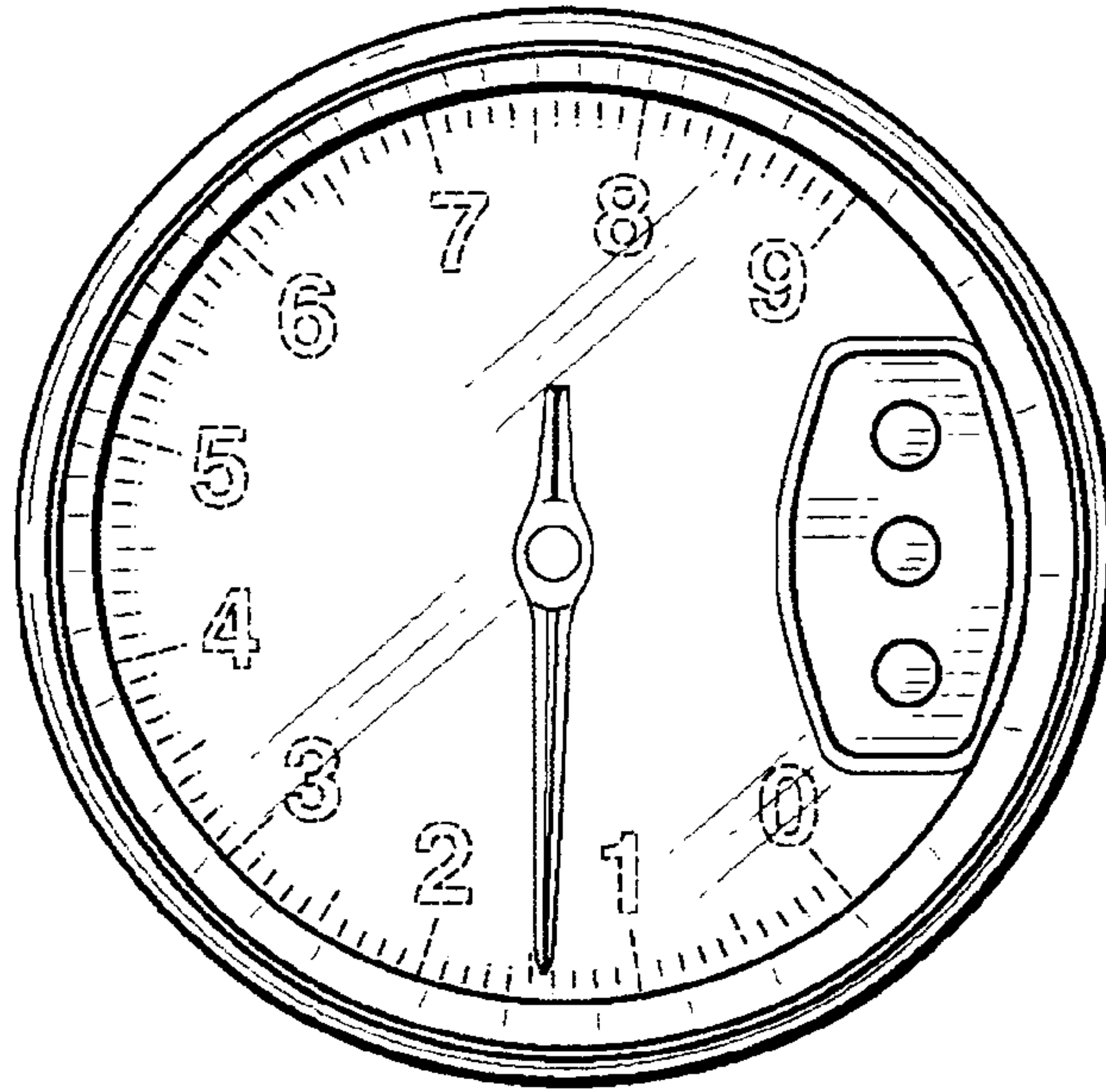


FIG. 3

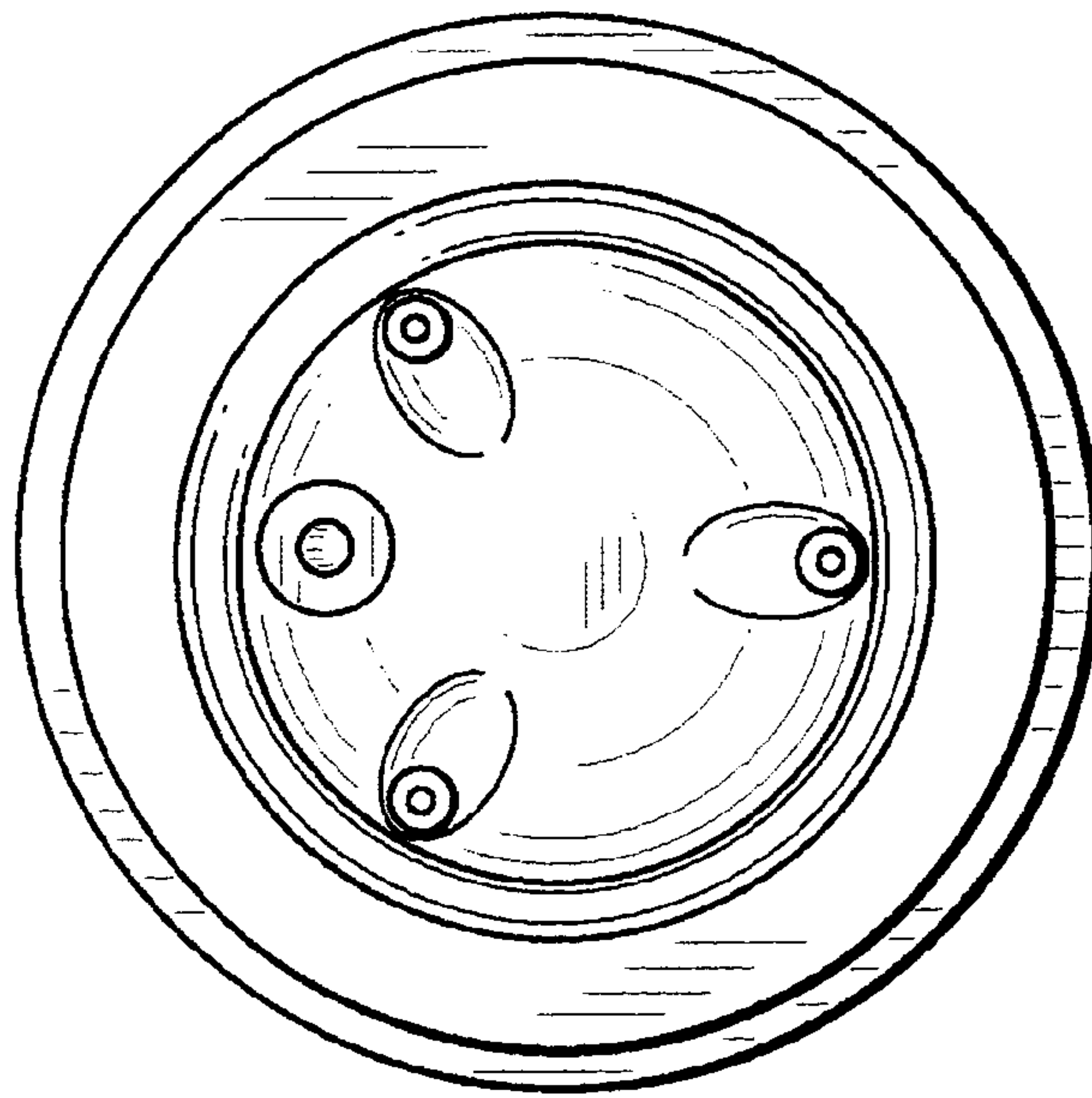


FIG. 4

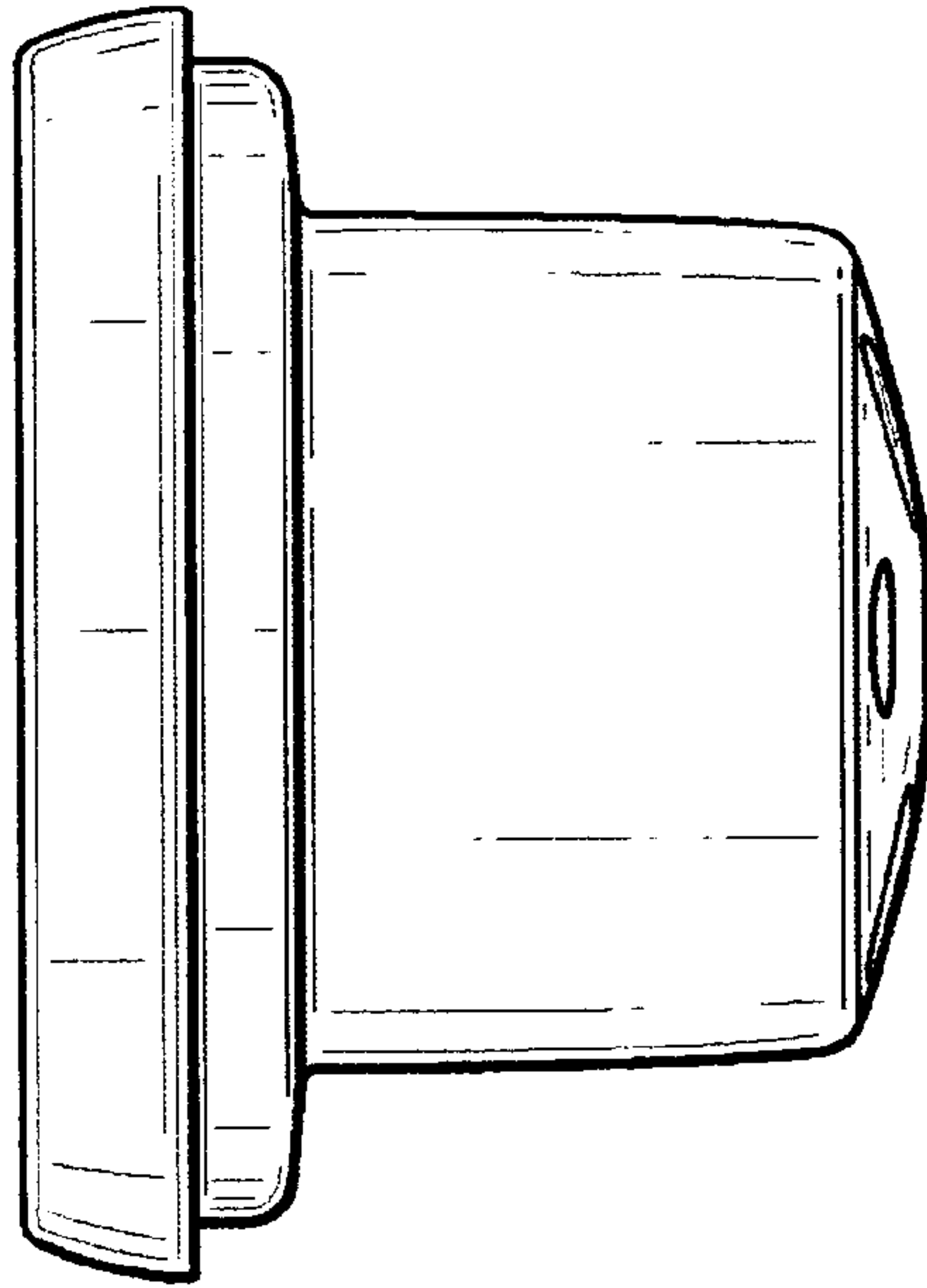


FIG. 5

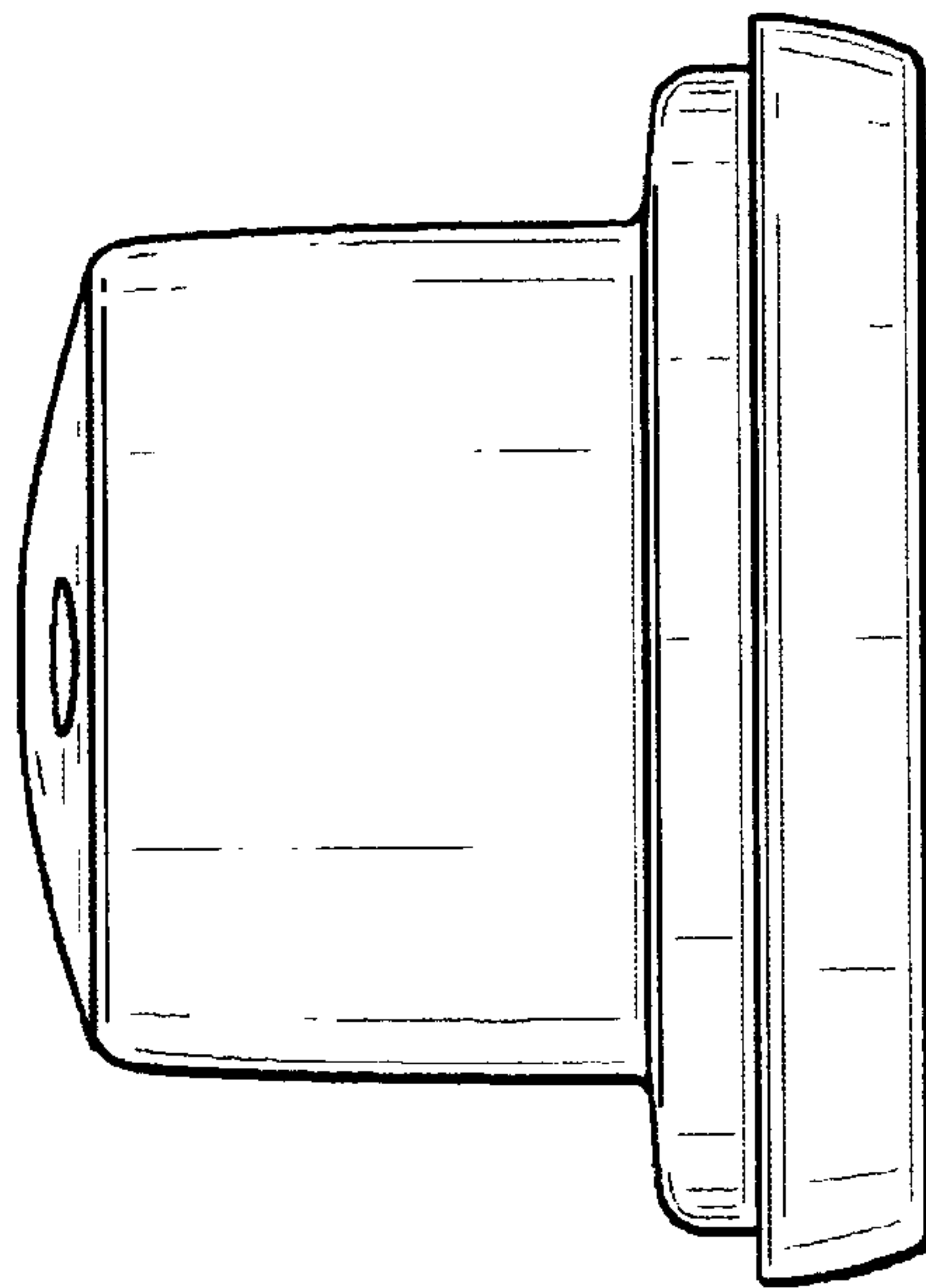


FIG. 6



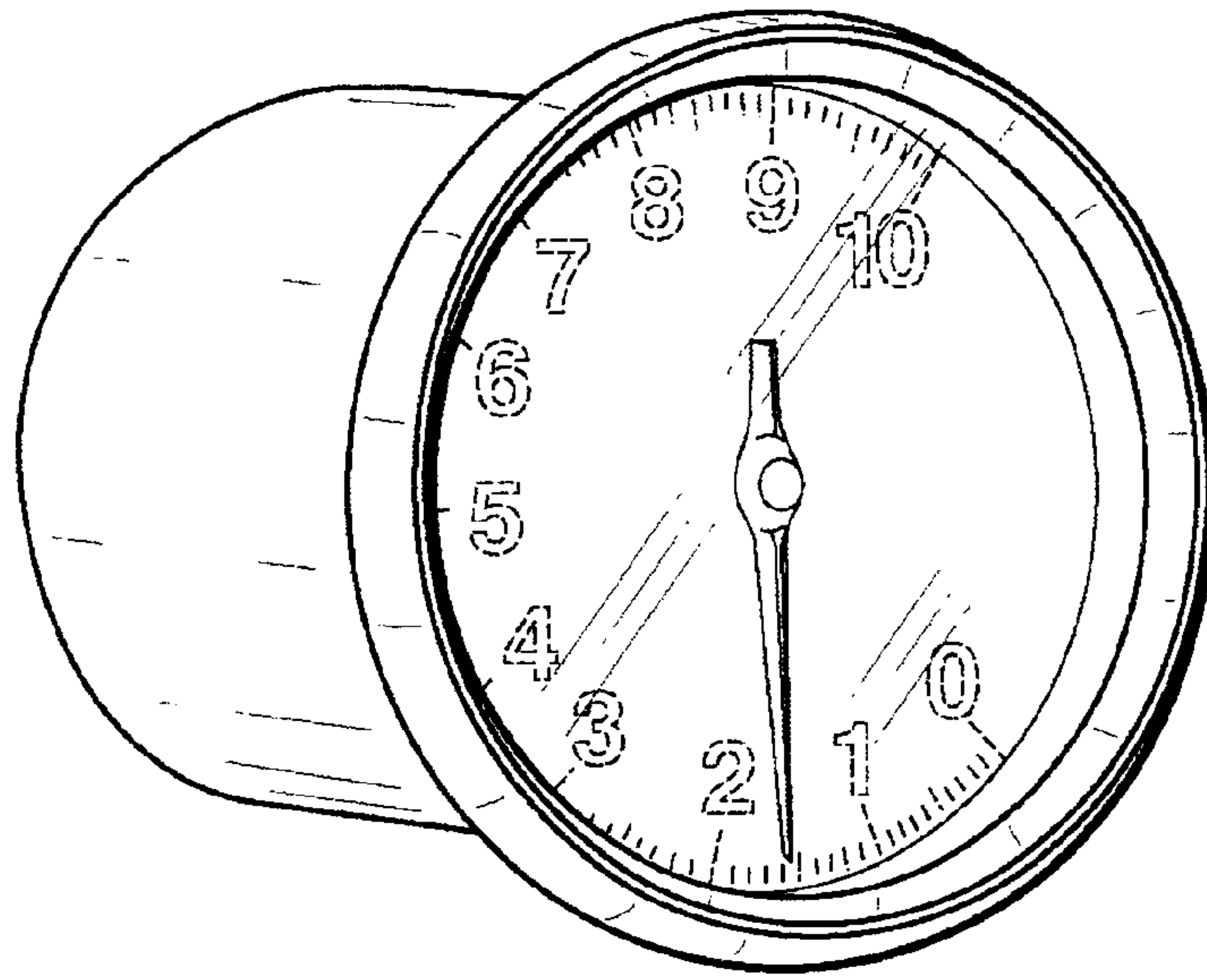


FIG. 7

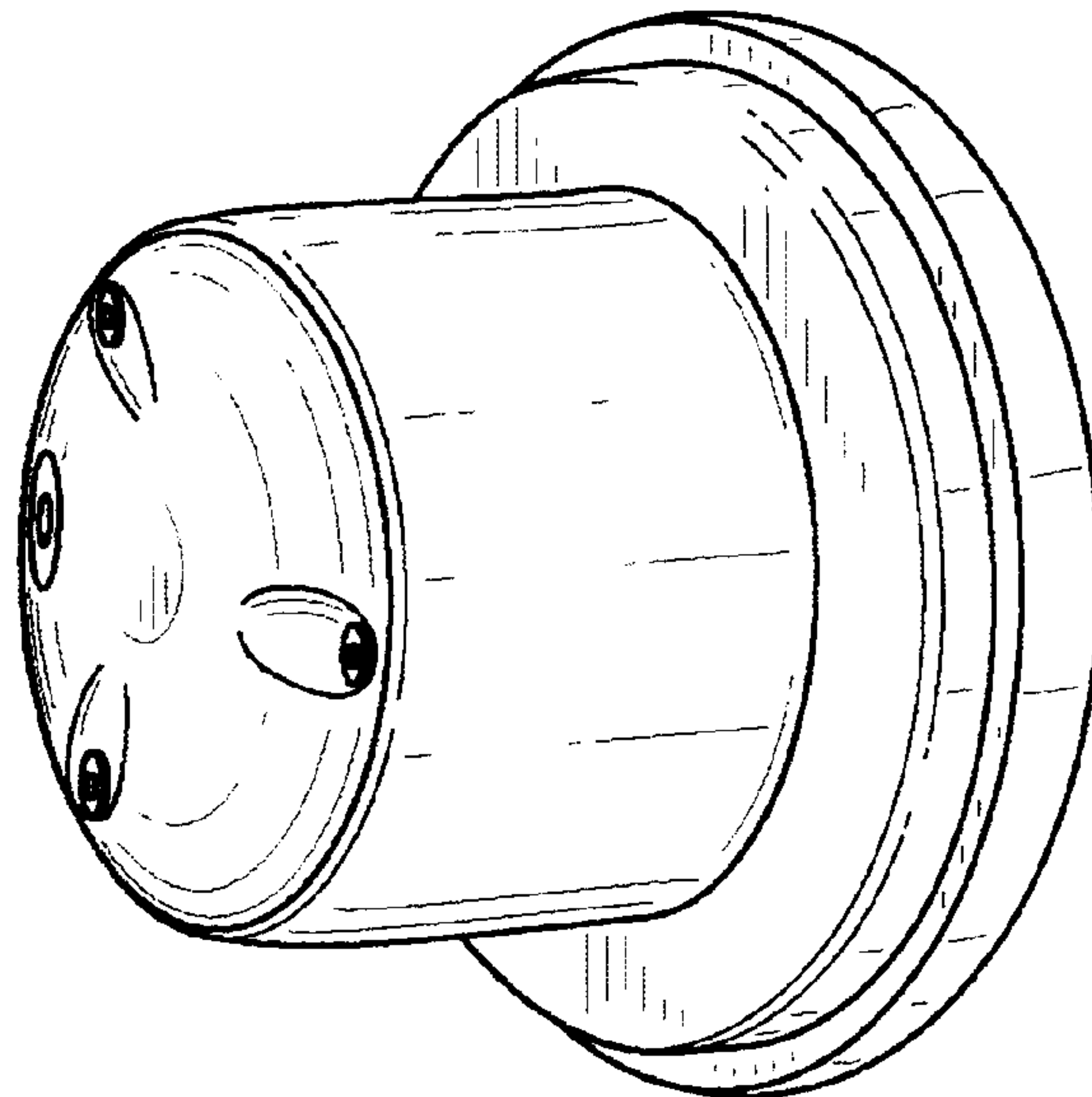


FIG. 8