



US00D515445S

(12) **United States Design Patent** (10) **Patent No.:** **US D515,445 S**
Perlin (45) **Date of Patent:** **** Feb. 21, 2006**

(54) **PRESSURE GAUGE TOP HAVING AN ORNAMENTAL LOGO THEREON**

6,568,259 B2 5/2003 Saheki et al.

FOREIGN PATENT DOCUMENTS

(75) Inventor: **Mike Perlin**, Orange Hills, CA (US)

WO WO 99/25573 5/1999

(73) Assignee: **Newport International Marketing, LLC**, Mission Viejo, CA (US)

WO WO 02/20287 A1 3/2002

WO WO 02/42729 A1 5/2002

(**) Term: **14 Years**

OTHER PUBLICATIONS

(21) Appl. No.: **29/191,803**

Tire Alert, Air Pressure Indicators Advertisement, Newport International Marketing, undated.

(22) Filed: **Oct. 13, 2003**

JL5024B Tire Pressure Indicator Cap Advertisement, Precise Meters Co., Ltd., undated.

(51) **LOC (8) Cl.** **10-04**

* cited by examiner

(52) **U.S. Cl.** **D10/86**

Primary Examiner—Antoine D. Davis

(58) **Field of Classification Search** D10/85,
D10/86; 73/146.3, 146.8

(74) *Attorney, Agent, or Firm*—Knobbe, Martens, Olson & Bear, LLP

See application file for complete search history.

(56) **References Cited**

CLAIM

U.S. PATENT DOCUMENTS

The ornamental design for a pressure gauge top having an ornamental logo thereon, as shown and described.

3,164,125	A	*	1/1965	Stuart	73/146.8
3,224,264	A	*	12/1965	Becciani et al.	73/146.8
3,523,451	A	*	8/1970	Kohn	73/146.8
3,572,283	A	*	3/1971	Ashman	73/146.8
3,990,467	A		11/1976	Sargent		
4,726,223	A		2/1988	Huang		
5,014,643	A		5/1991	Huang		
5,025,244	A		6/1991	Huang		
5,027,848	A		7/1991	Leeuwen		
5,377,539	A		1/1995	LaSalle		
D366,845	S		2/1996	Handfield et al.		
5,886,254	A		3/1999	Chi		
5,929,330	A		7/1999	Ford		
6,031,450	A	*	2/2000	Huang	73/146.8
6,351,990	B1		3/2002	McInnes		
6,384,720	B1		5/2002	Juzswik et al.		
6,418,786	B1		7/2002	Holcomb		

DESCRIPTION

FIG. 1 is a front perspective view of a preferred embodiment of the pressure gauge according to the present design, illustrating a flat top surface;

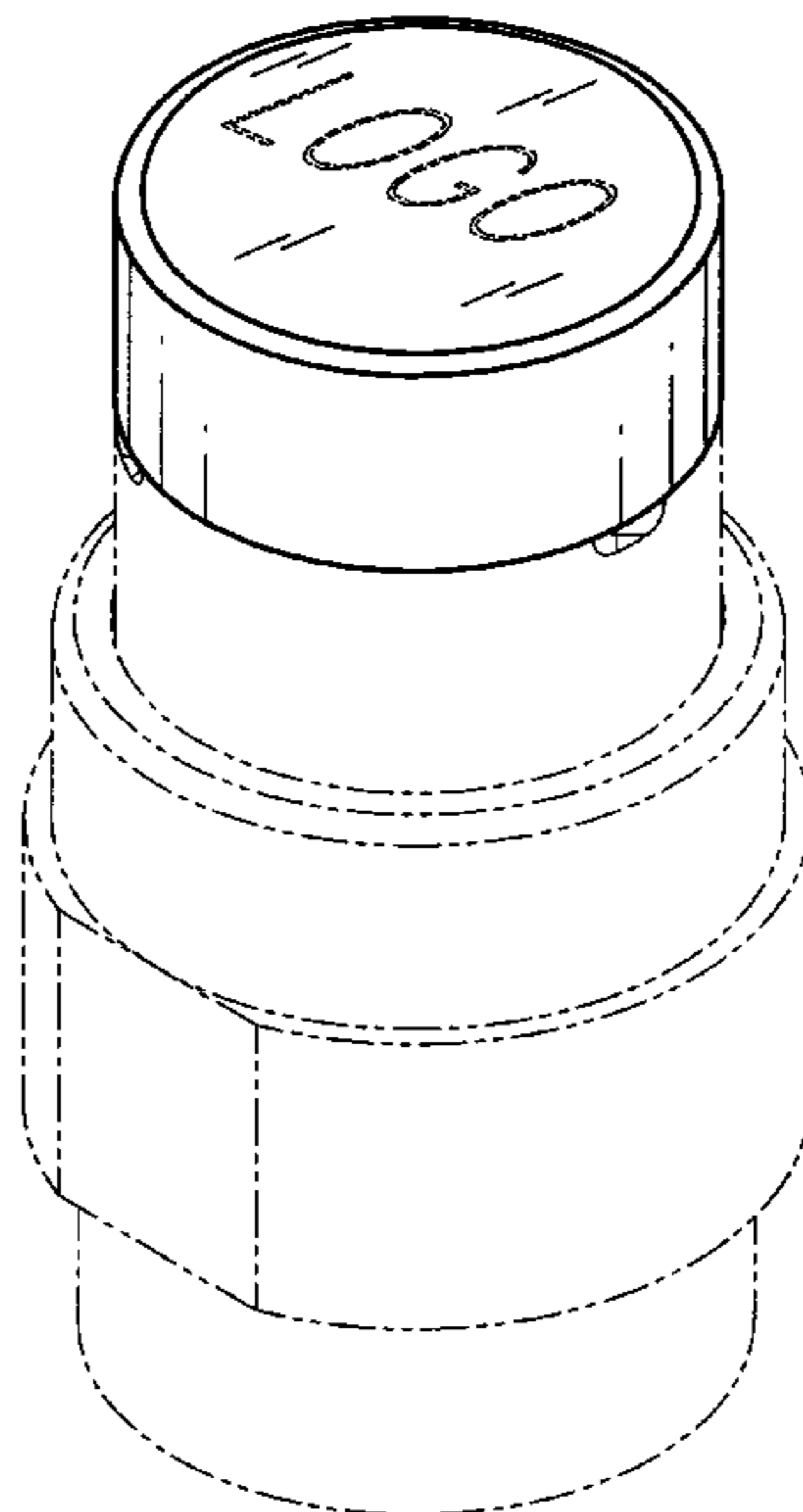
FIG. 2 is a top plan view of the pressure gauge of FIG. 1;

FIG. 3 is a front perspective view of another preferred embodiment of the pressure gauge according to the present design, illustrating a domed top surface; and,

FIG. 4 is a top plan view of the pressure gauge of FIG. 3.

The broken line showing the body of the pressure gauge is for illustrative purposes only and forms no part of the claimed design.

1 Claim, 2 Drawing Sheets



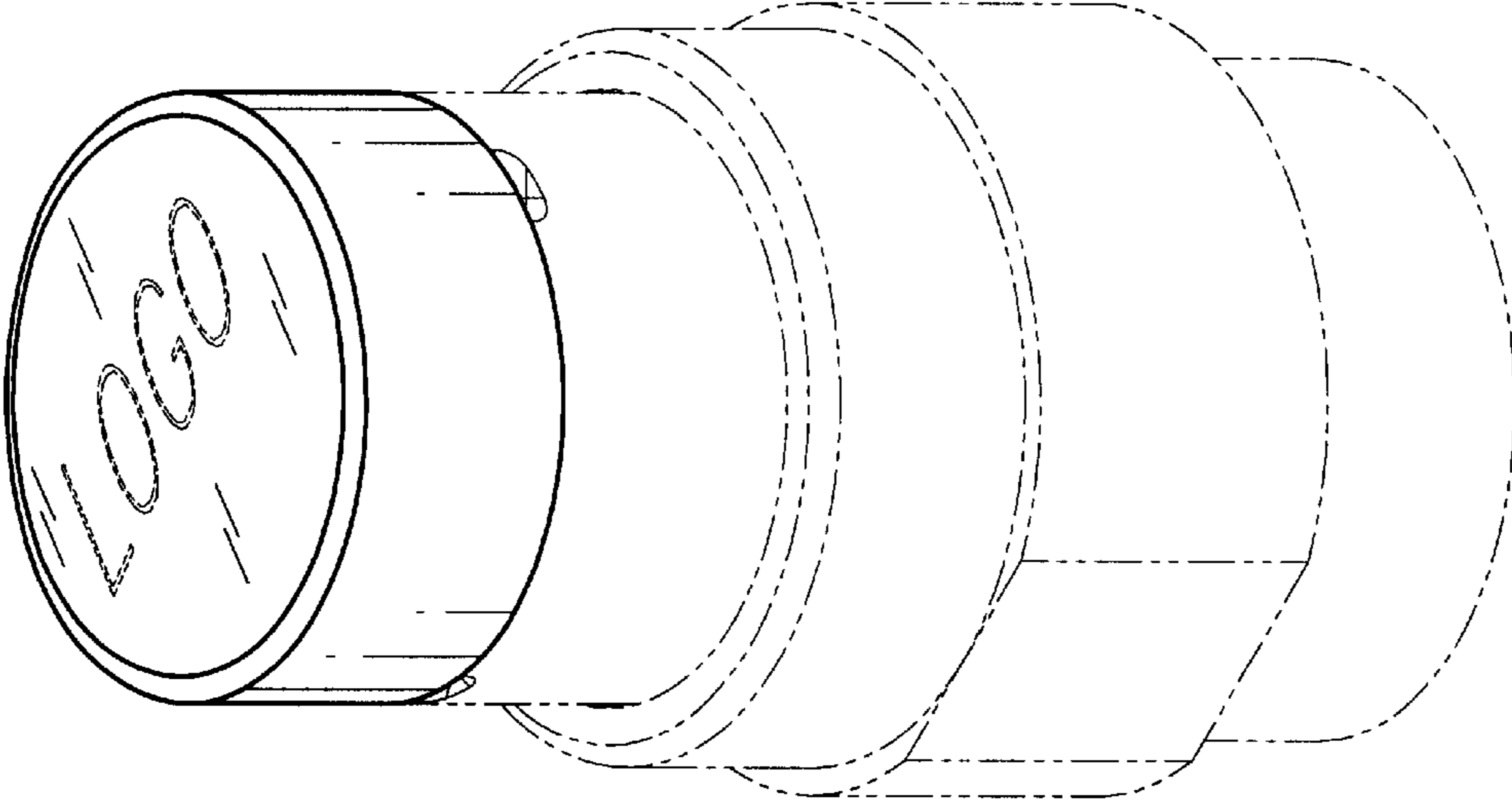


FIG. 1

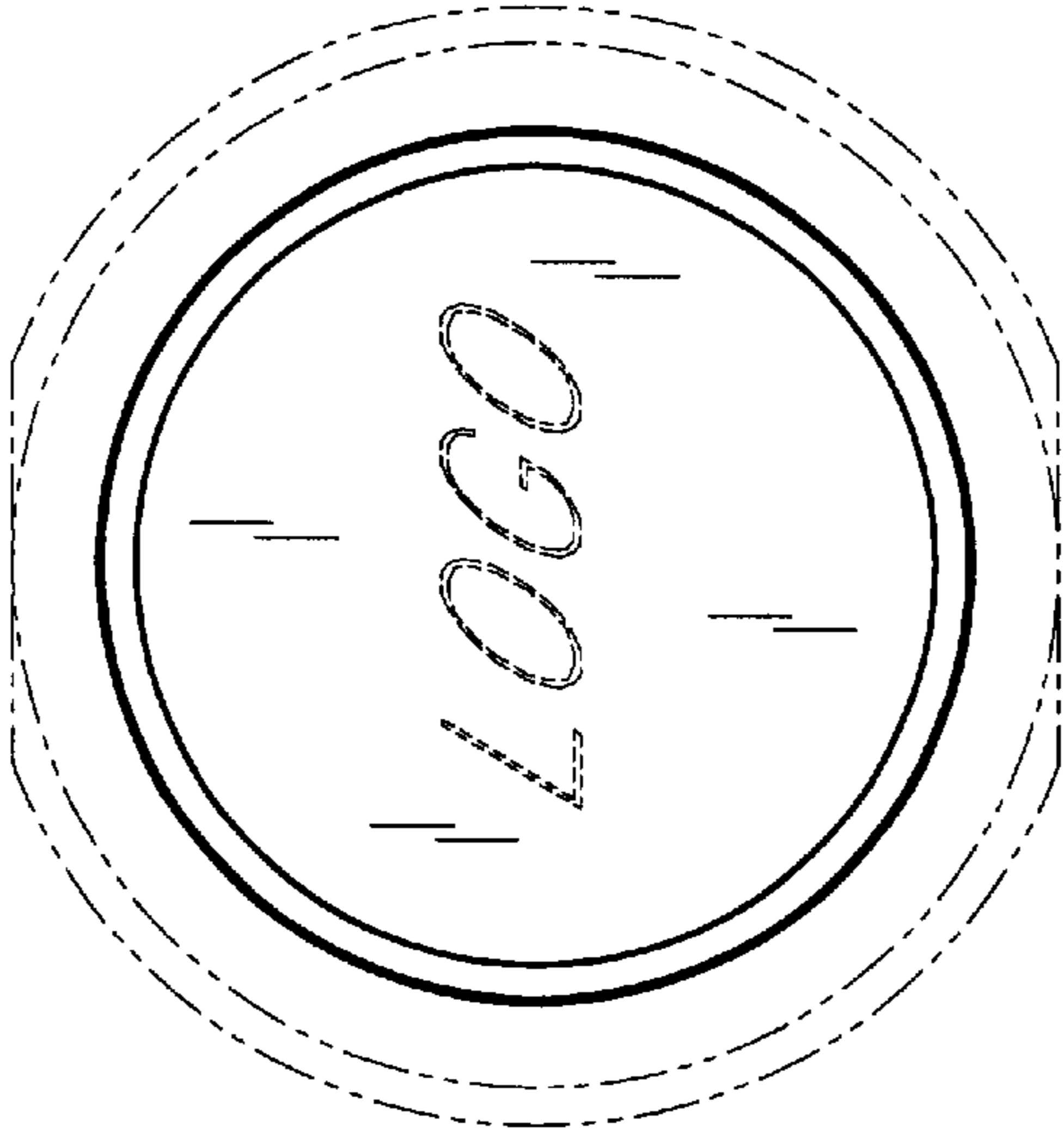


FIG. 2

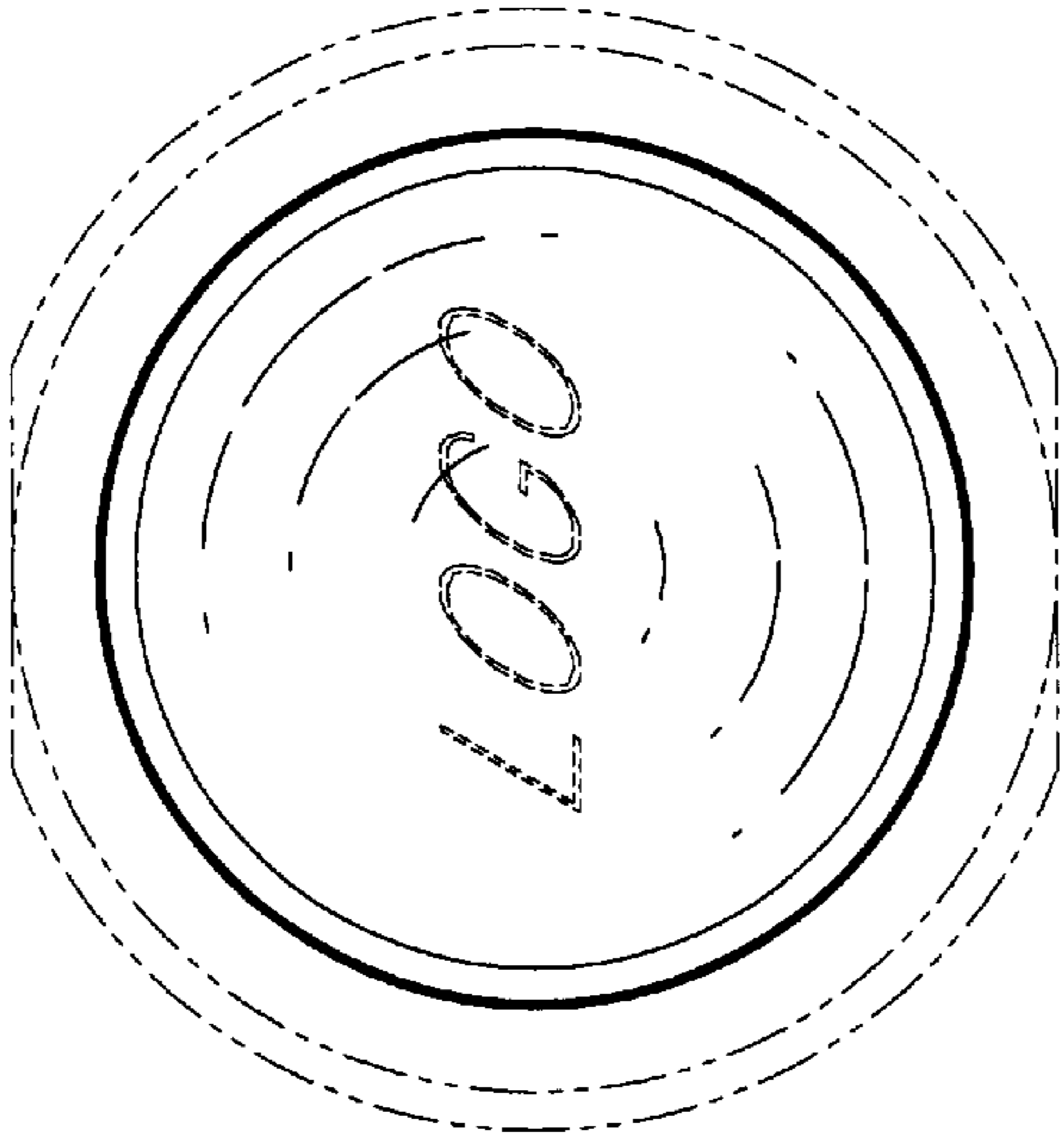


FIG. 4

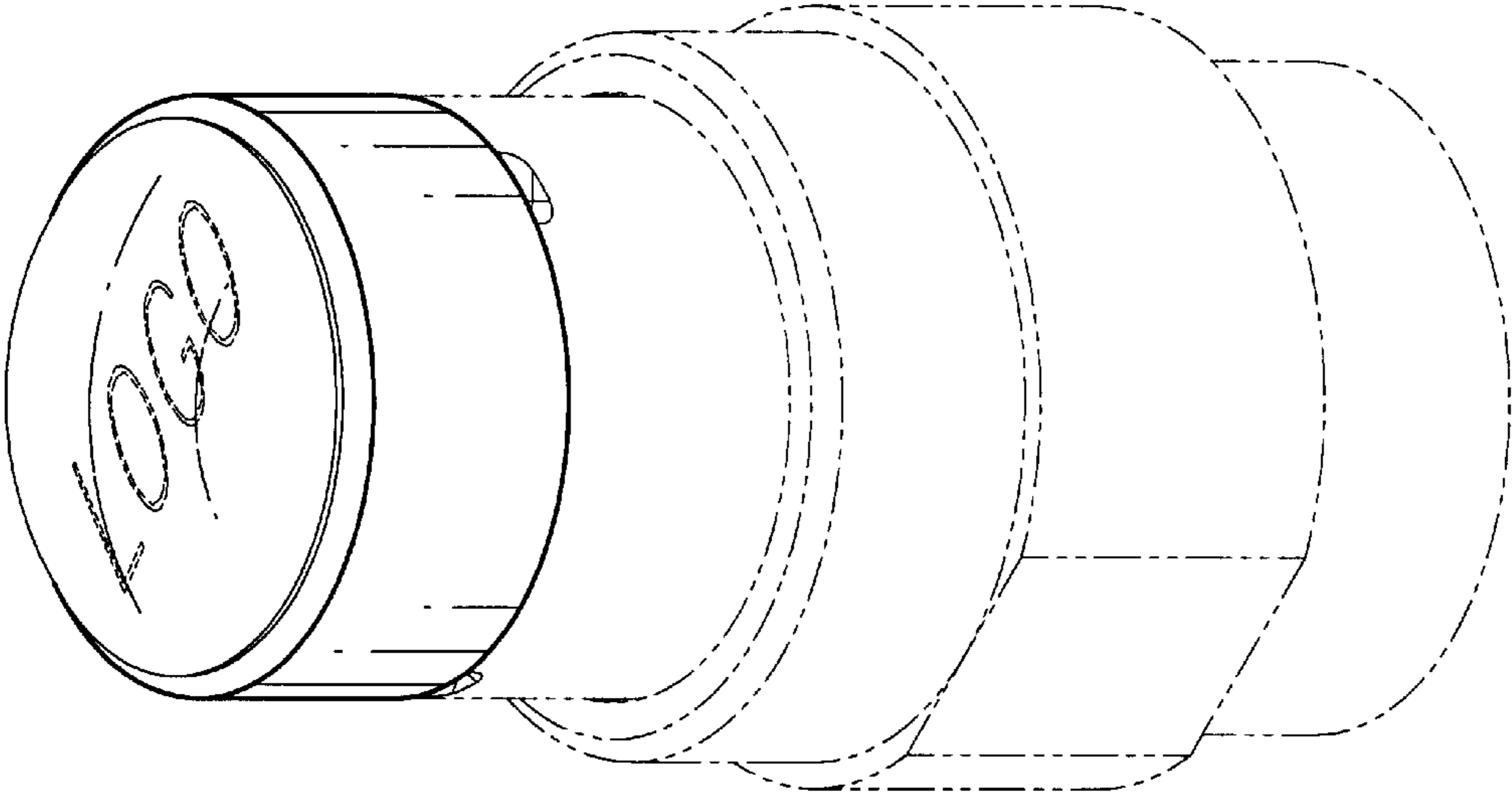


FIG. 3