



US00D515443S

(12) **United States Design Patent**
Verdura et al.

(10) **Patent No.:** **US D515,443 S**
(45) **Date of Patent:** **** Feb. 21, 2006**

(54) **RULER**

(75) Inventors: **Javier Verdura**, Milford, CT (US);
Erik J. Moses, New Haven, CT (US);
Daniel P. Sterling, Bridgeport, CT
(US); **Jonathan A. Lee**, Hamden, CT
(US); **Stuart David Farnworth**,
Westport, CT (US)

(73) Assignee: **Acme United Corporation**, Fairfield,
CT (US)

(**) Term: **14 Years**

(21) Appl. No.: **29/213,439**

(22) Filed: **Sep. 17, 2004**

(51) **LOC (8) Cl.** **10-04**

(52) **U.S. Cl.** **D10/71**

(58) **Field of Classification Search** D10/71;
D10/33/483-494

See application file for complete search history.

(56) **References Cited**

U.S. PATENT DOCUMENTS

6,098,301 A * 8/2000 Kappahn 33/492

* cited by examiner

Primary Examiner—Antoine D. Davis

(74) *Attorney, Agent, or Firm*—Alix, Yale & Ristas, LLP

(57) **CLAIM**

The ornamental design for ruler, as shown and described.

DESCRIPTION

FIG. 1 is a top plan view of the ruler showing our new design;

FIG. 2 is a bottom plan view of the ruler of FIG. 1;

FIG. 3 is a rear edge elevation view of the ruler of FIG. 1;

FIG. 4 is a front edge elevation view of the ruler of FIG. 1;

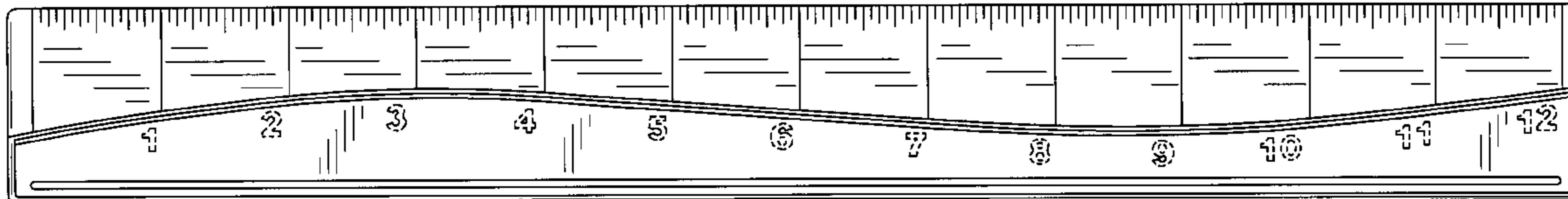
FIG. 5 is a right side elevation view of the ruler of FIG. 1;

FIG. 6 is a left side elevation view of the ruler of FIG. 1; and,

FIG. 7 is a perspective view of an alternative embodiment of the invention.

No claim is made to the line indicia shown on the blade portion of FIGS. 1 and 2.

1 Claim, 3 Drawing Sheets



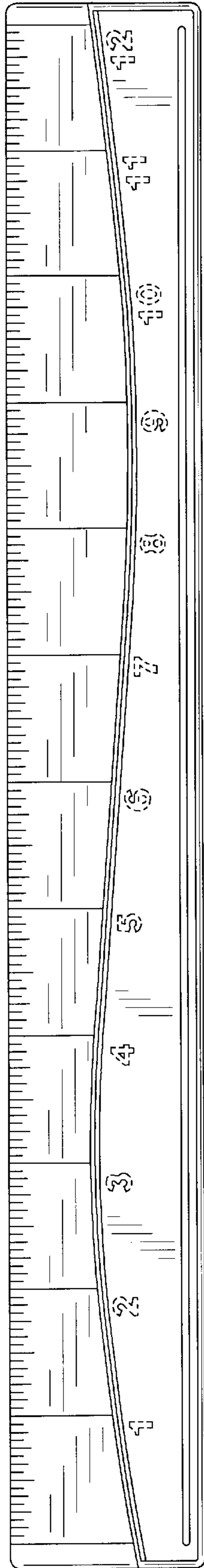


FIG. 1

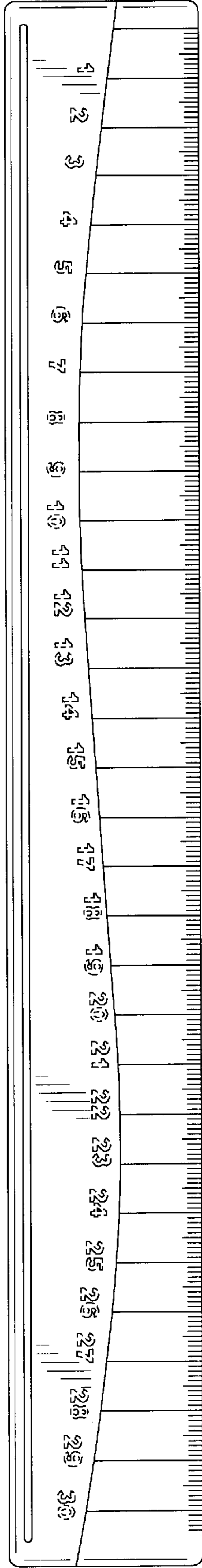


FIG. 2



FIG. 3



FIG. 4



FIG. 6



FIG. 5

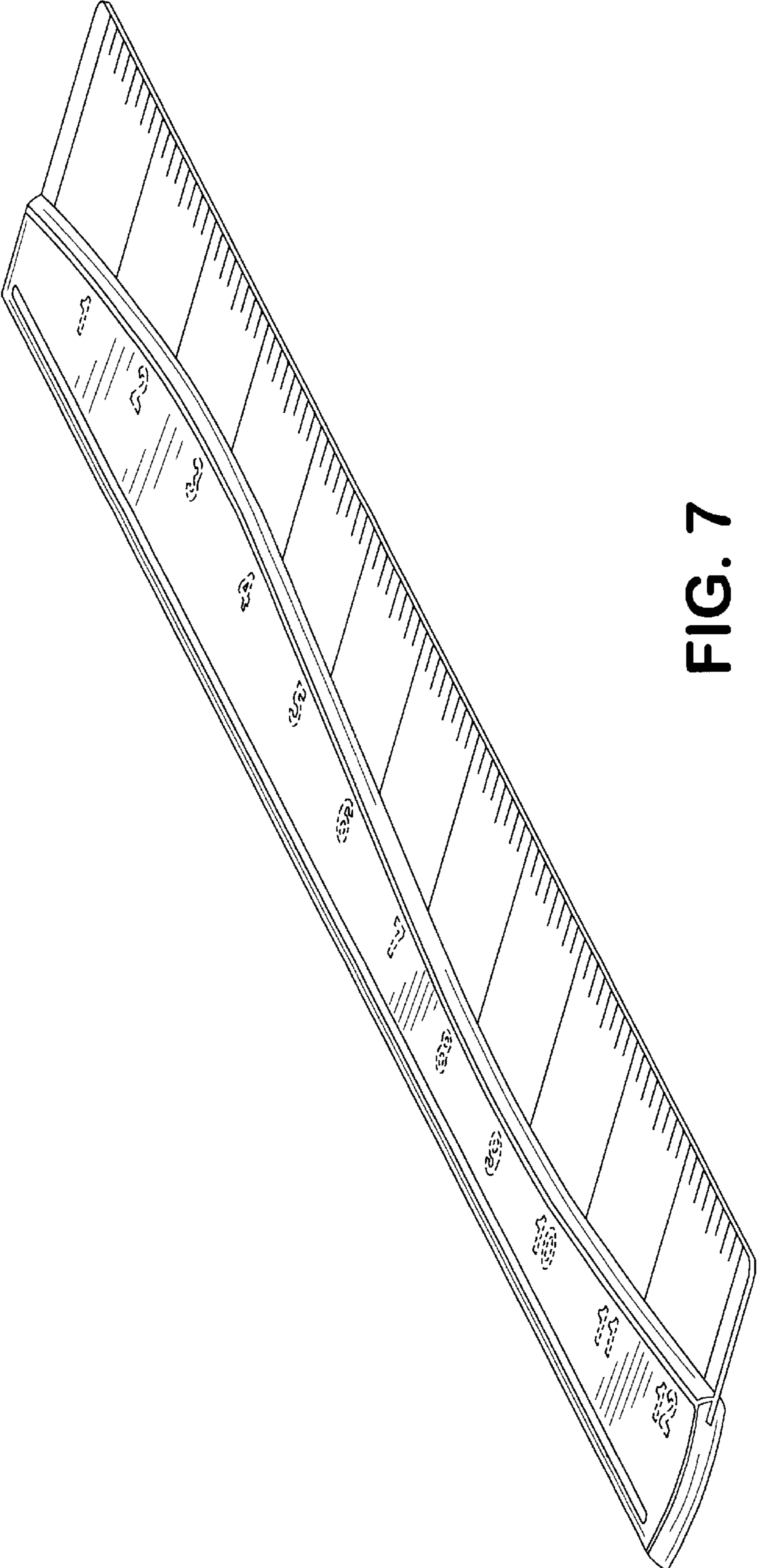


FIG. 7