



US00D515441S

(12) **United States Design Patent** (10) **Patent No.:** **US D515,441 S**
Shindo (45) **Date of Patent:** **** Feb. 21, 2006**

(54) **COMBINED MONITOR AND LOCATING SYSTEM**

(75) Inventor: **Koji Shindo**, Tokyo (JP)
(73) Assignee: **Sony Corporation**, Tokyo (JP)
(**) Term: **14 Years**

(21) Appl. No.: **29/196,080**
(22) Filed: **Dec. 23, 2003**

(51) **LOC (8) Cl.** **10-04**
(52) **U.S. Cl.** **D10/65**; D14/346
(58) **Field of Classification Search** D14/231,
D14/230, 252, 253, 137, 188, 240, 118, 346;
D16/135; D10/65; 701/200; 455/130; 375/147;
725/46

See application file for complete search history.

(56) **References Cited**

U.S. PATENT DOCUMENTS

D368,472 S	*	4/1996	Robertson et al.	D14/137
D389,759 S	*	1/1998	Taylor et al.	D10/78
D392,740 S	*	3/1998	Yung et al.	D24/169
D401,595 S	*	11/1998	Guttadauro	D14/230
6,396,475 B1	*	5/2002	Ellenby et al.	345/156
D464,961 S		10/2002	Sogabe		
D465,214 S	*	11/2002	Mirabelli et al.	D14/230
D469,367 S	*	1/2003	Mirabelli et al.	D10/65
D479,235 S	*	9/2003	Tanaka et al.	D14/346
D488,471 S	*	4/2004	Yagawa et al.	D14/346
D489,731 S	*	5/2004	Huang	D14/496
D492,323 S	*	6/2004	Wang	D14/496
D492,665 S	*	7/2004	Lee	D14/218
D499,423 S	*	12/2004	Bahroocha et al.	D14/496
D502,173 S	*	2/2005	Jung et al.	D14/240
2005/0038597 A1	*	2/2005	Kaneko et al.	701/200

OTHER PUBLICATIONS

Sony XYZ GPS <http://www.sony.jp/products/me/xyz/package/04-2.html> Mar. 28, 2005.*
Sony XYZ Car Navigation <http://wired.com/news/autotech/0.2554,63842,00.html> Mar. 28, 2005.*
Sony GPS XYZ V 2.0 http://www.ubergizmo.com/15/archives/2004/11/sony_gps_xyz_v2.html Mar. 28, 2005.*
Web page "HDZ-250ITS" <http://www.kenwood.com/j/products/carnavi/hdz2570/index.html>, 1 sheet, KENWOOD (Jul. 2003).
Web page "Car Navigation—HDX300" <http://panasonic.jp/car/navi/products/HDX300/index.html>, pp. 1 & 2, Matsushita Electric Industrial Co., Ltd. (Jul. 2003).
Web page "Car Navigation Systems, NVE-HD01" <http://www.alpine.co.jp/alpine/navi03/hd01/product.html>, pp. 1 & 2, Alpine Co., Ltd. (Jul. 2003).

* cited by examiner

Primary Examiner—Cathron C. Brooks

Assistant Examiner—Austin Murphy

(74) *Attorney, Agent, or Firm*—Rader, Fishman & Grauer PLLC

(57) **CLAIM**

The ornamental design for a combined monitor and locating system, as shown.

DESCRIPTION

FIG. 1 is a perspective view of a combined monitor and locating system showing my new design; FIG. 2 is a front elevational view thereof; FIG. 3 is a rear elevational view thereof; FIG. 4 is a left side elevational view thereof; FIG. 5 is a right side elevational view thereof; FIG. 6 is a top plan view thereof; and, FIG. 7 is a bottom plan view thereof.

1 Claim, 4 Drawing Sheets

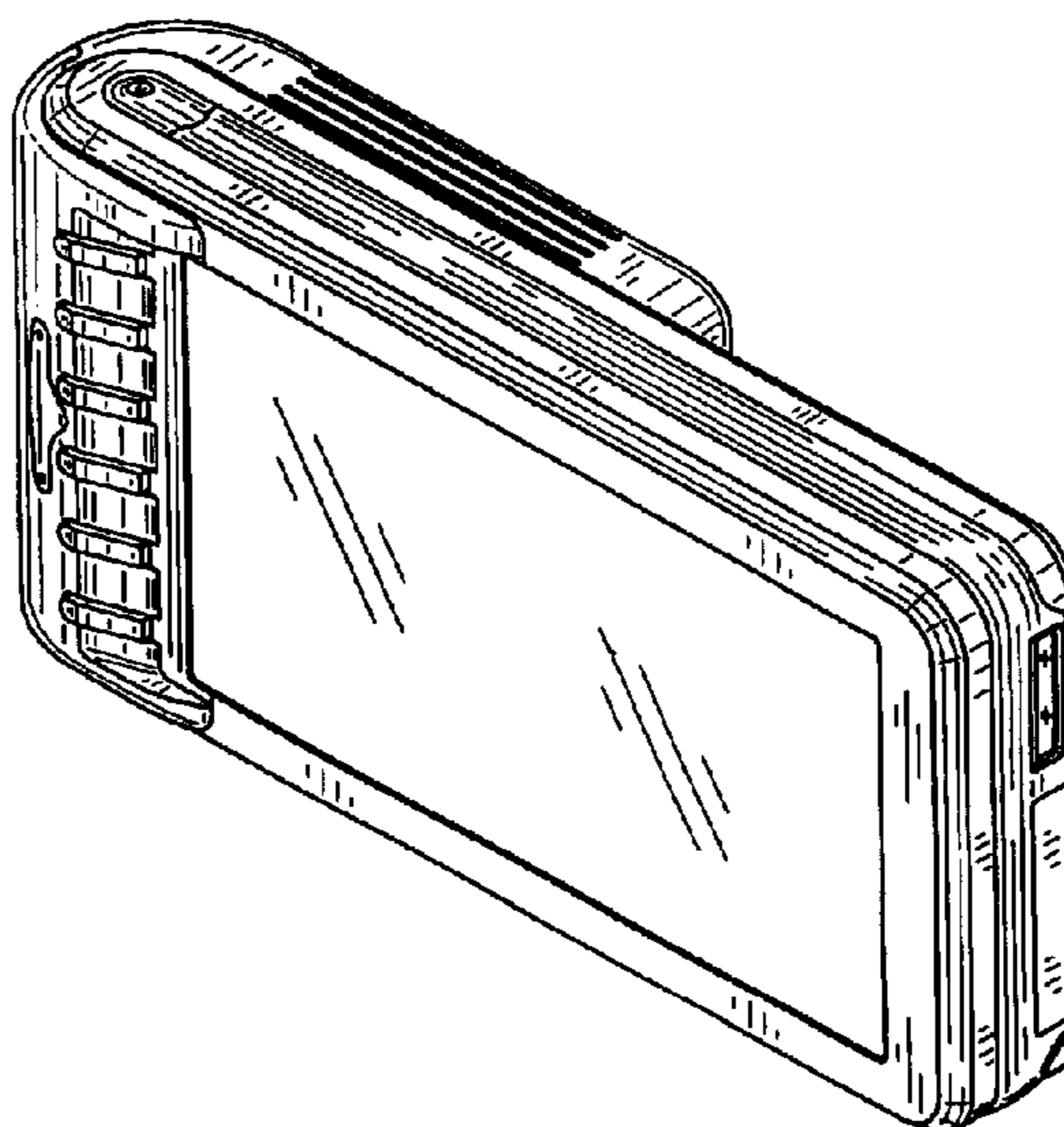


Fig. 1

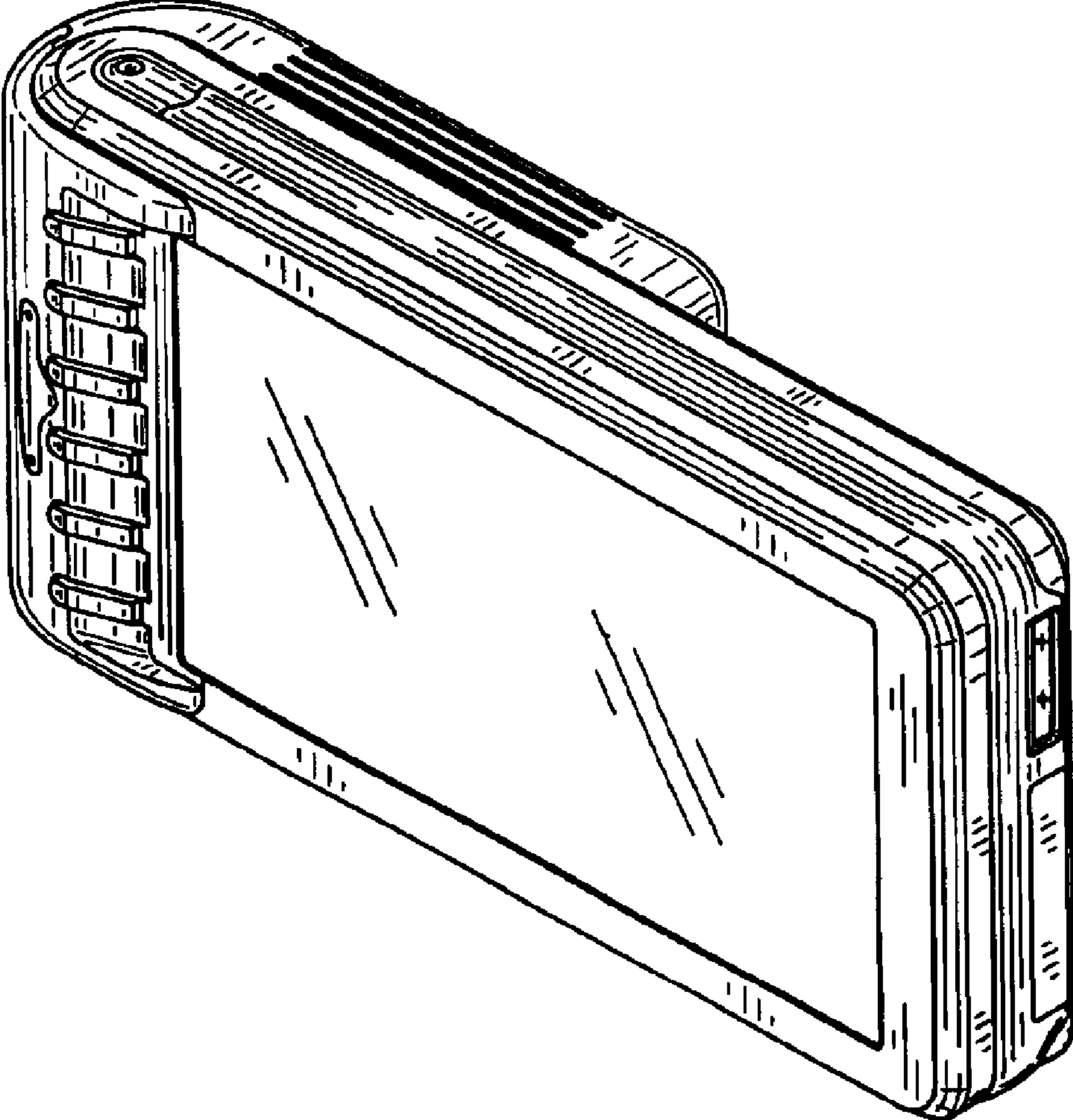


Fig.2

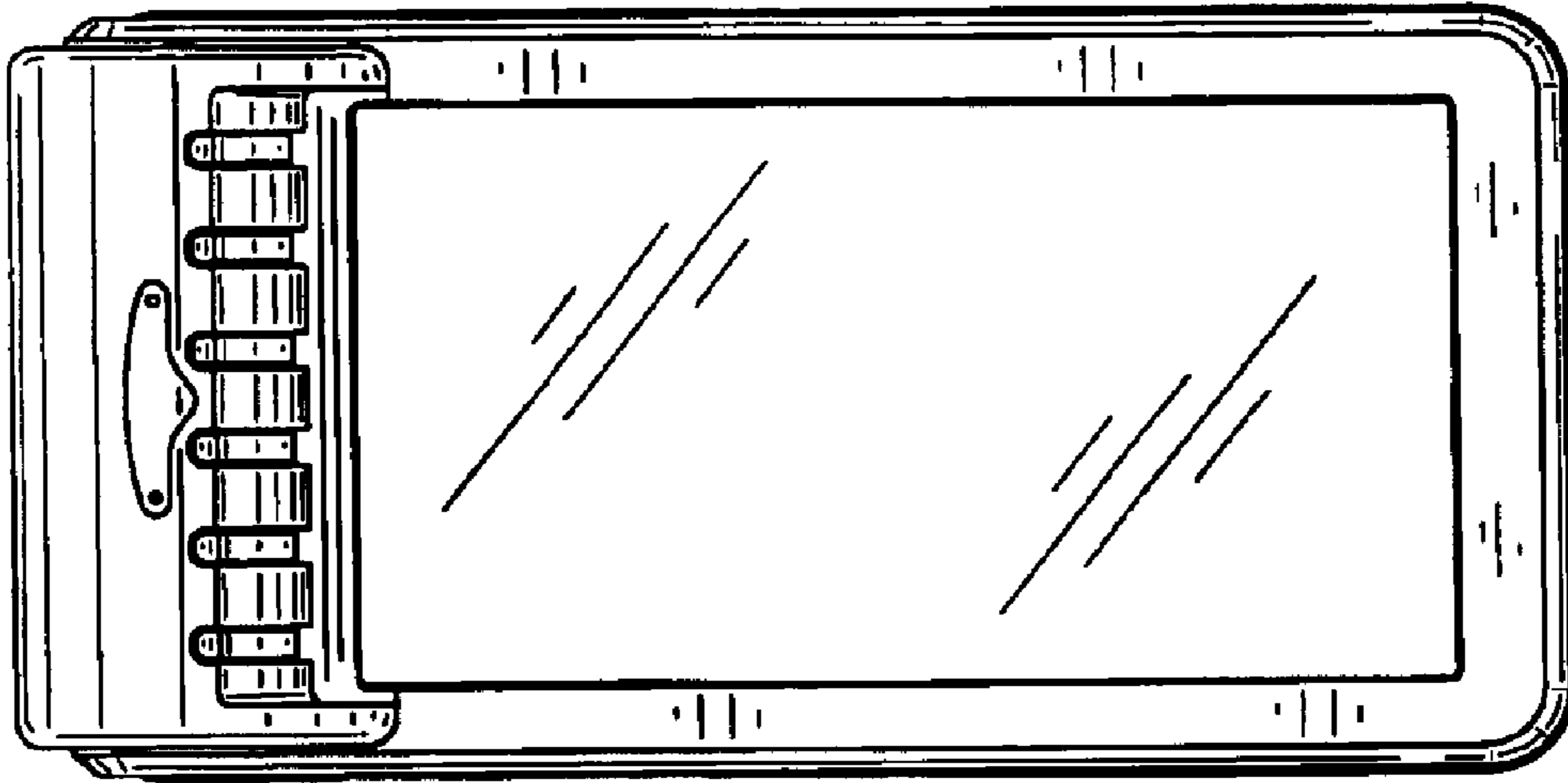


Fig.3

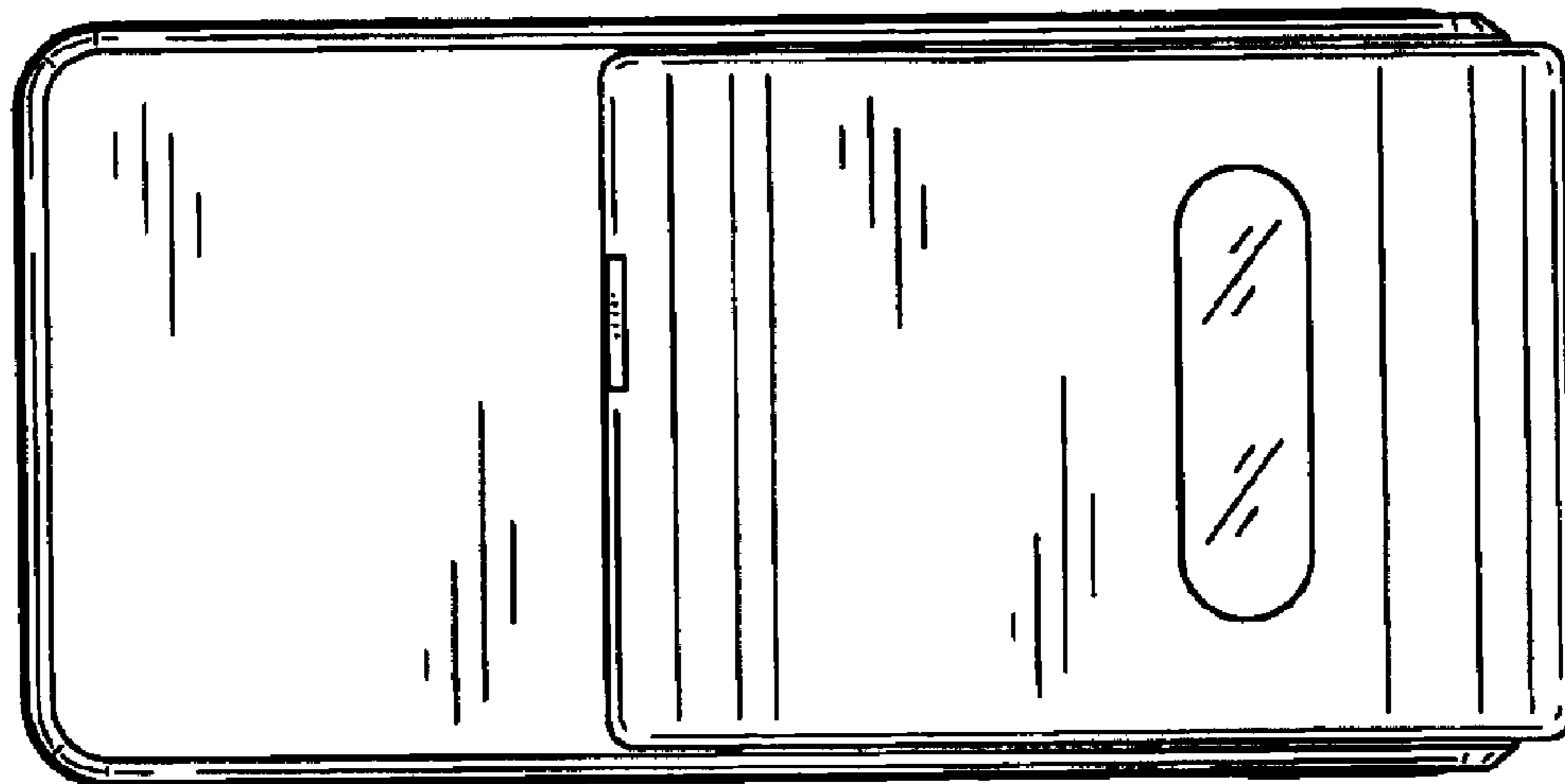


Fig.4



Fig.5

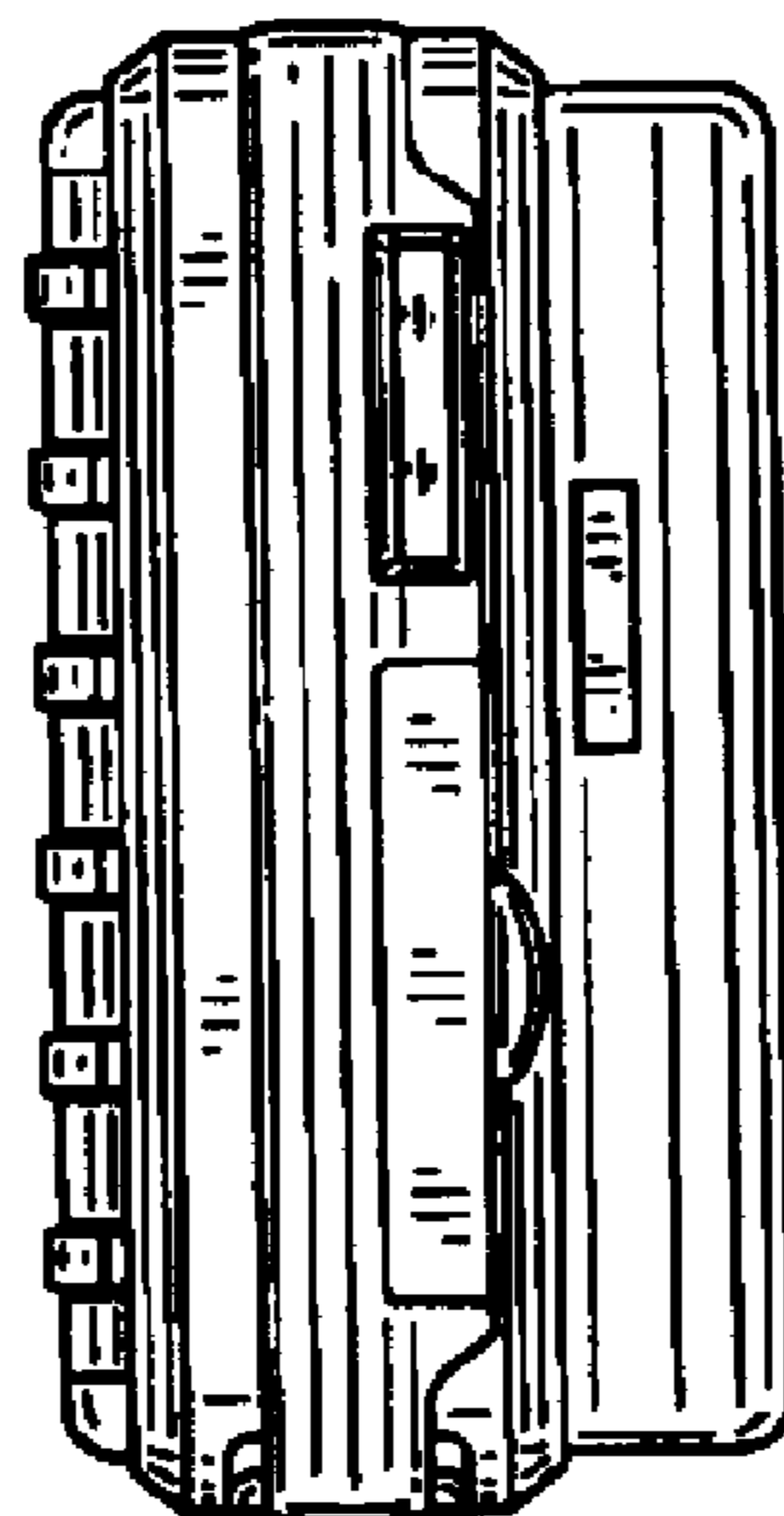


Fig.6

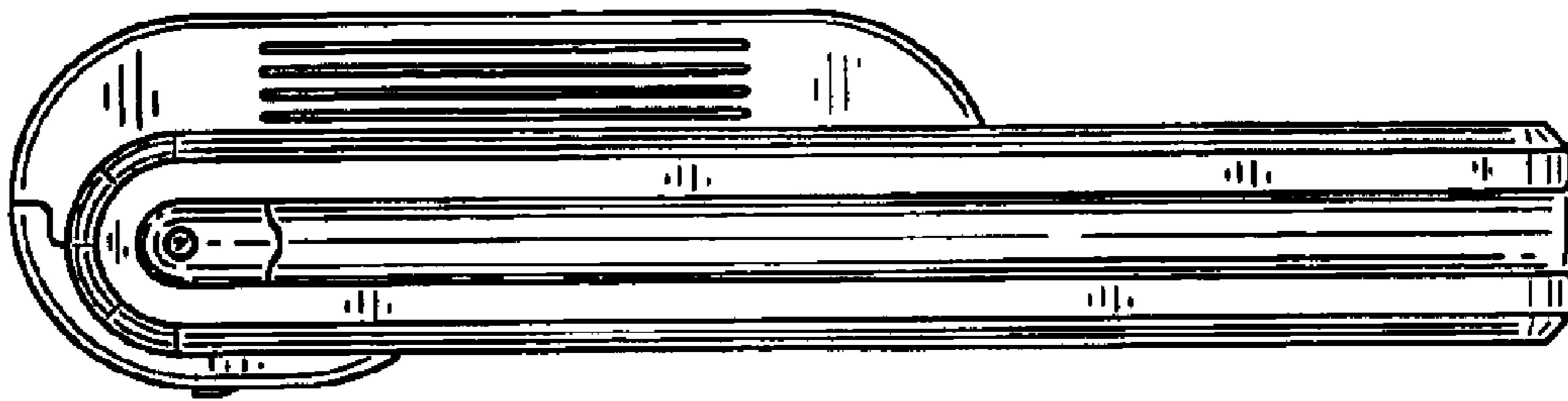


Fig.7

