



US00D515439S

(12) **United States Design Patent** (10) **Patent No.:** **US D515,439 S**
Pace (45) **Date of Patent:** **** Feb. 21, 2006**

(54) **CONTAINER WITH LID**
 (75) Inventor: **Gregory A. Pace**, Nunnely, TN (US)
 (73) Assignee: **U.S. Smokeless Tobacco Company**,
 Greenwich, CT (US)
 (**) Term: **14 Years**
 (21) Appl. No.: **29/222,496**
 (22) Filed: **Jan. 31, 2005**
 (51) **LOC (8) Cl.** **09-03**
 (52) **U.S. Cl.** **D9/746; D9/741**
 (58) **Field of Classification Search** D9/428,
 D9/435, 454, 503, 504, 529-539, 549, 558,
 D9/563, 719, 738-746; 132/298; D28/76-82,
 D28/91; D27/190; 220/4.27, 212, 281, 284,
 220/780-796, 291; 206/1.5, 229, 525, 823
 See application file for complete search history.

D291,971 S 9/1987 Smith
 4,765,501 A 8/1988 Kao
 D303,584 S 9/1989 Bakic
 4,866,952 A 9/1989 Hight et al.
 5,246,133 A 9/1993 James
 D352,896 S * 11/1994 Jones D9/428
 5,377,860 A 1/1995 Littlejohn et al.
 5,427,266 A 6/1995 Yun
 5,542,561 A * 8/1996 Slink et al. 220/291
 5,632,971 A 5/1997 Yang
 5,660,303 A 8/1997 Hirose
 5,752,599 A 5/1998 Veltman
 5,769,267 A 6/1998 Duynslager et al.
 5,791,473 A 8/1998 Decker et al.
 5,794,814 A 8/1998 Baerenwald

(Continued)

Primary Examiner—Nanda Bondade
Assistant Examiner—Shanda C. Hill
 (74) *Attorney, Agent, or Firm*—Fitch, Even, Tabin &
 Flannery

(56) **References Cited**

U.S. PATENT DOCUMENTS

216,831 A 6/1879 Collings
 411,773 A 10/1889 Atkinson
 D28,413 S 3/1898 Taite
 660,739 A 10/1900 Taylor
 663,415 A 12/1900 Charles
 1,214,899 A 2/1917 Curran
 1,616,381 A * 2/1927 MacDougall 132/298
 1,975,703 A 10/1934 Vitale
 2,047,951 A 7/1936 Eberhart
 2,493,086 A 1/1950 Reifsnyder
 2,789,607 A 4/1957 Tupper
 D184,789 S 3/1959 Zehner et al.
 2,878,848 A 3/1959 Coltman, Jr.
 3,122,990 A 3/1964 Fried
 3,206,016 A 9/1965 Fowle et al.
 4,098,421 A 7/1978 Foster
 4,124,135 A 11/1978 Weder et al.
 4,165,815 A * 8/1979 Vetter 220/4.27
 4,190,170 A 2/1980 Boyd
 D273,766 S 5/1984 Lampe
 D281,764 S 12/1985 Legrottaglie
 4,646,933 A 3/1987 Jurczenia et al.

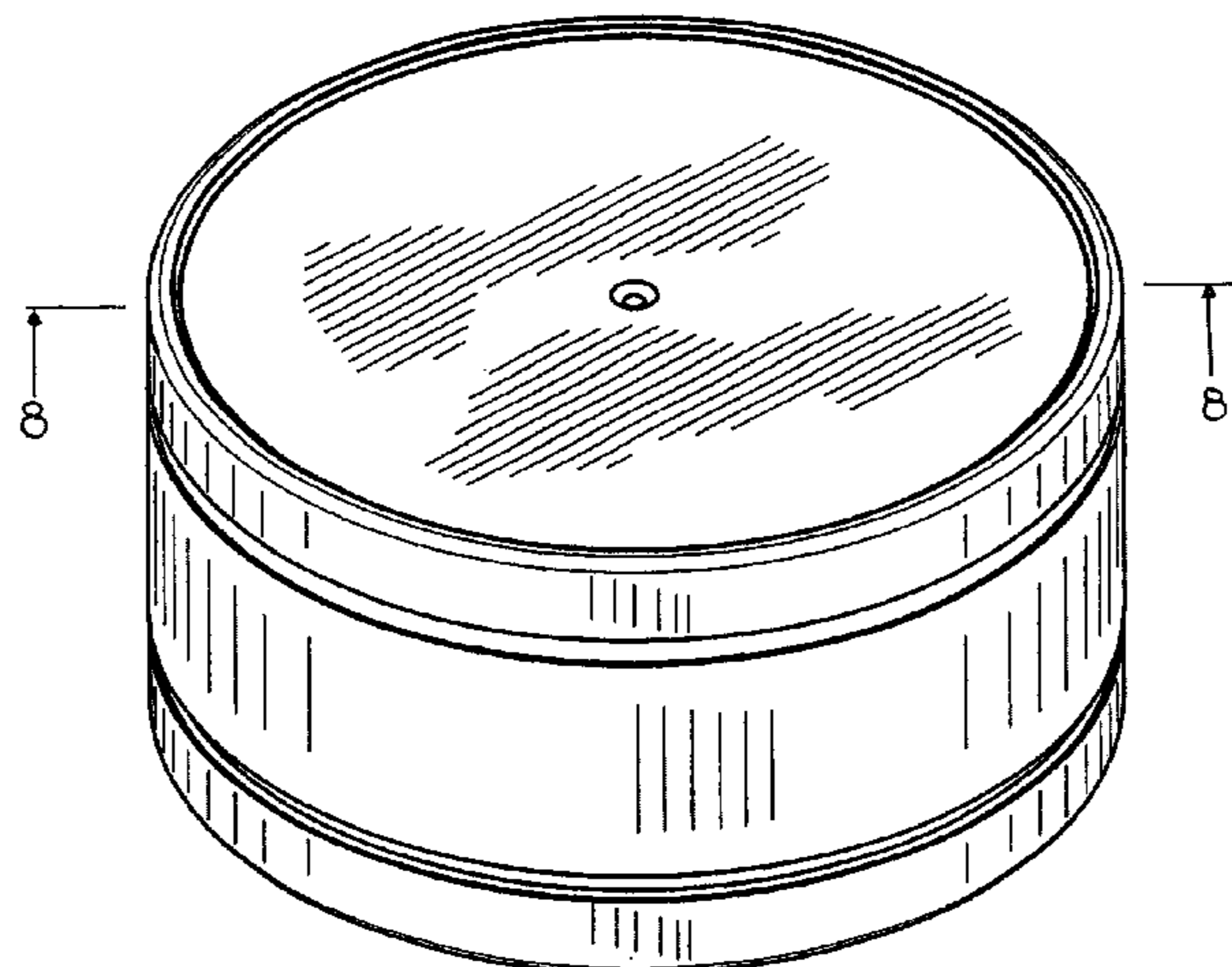
(57) **CLAIM**

The ornamental design for a container with lid, as shown and described.

DESCRIPTION

FIG. 1 is a perspective view of a container with lid showing our new design;
 FIG. 2 is an exploded perspective view thereof;
 FIG. 3 is another exploded perspective view thereof;
 FIG. 4 is a bottom perspective thereof;
 FIG. 5 is a front elevational view thereof, the rear, left and right views being identical thereto;
 FIG. 6 is an exploded front elevational view thereof, the rear, left and right views being identical thereto;
 FIG. 7 is a bottom plan view thereof;
 FIG. 8 is a cross-sectional view of the container with lid, taken along line 8-8 in FIG. 1
 FIG. 9 is a cross-sectional view of the container with lid, taken along line 9-9 in FIG. 3; and,
 FIG. 10 is a cross-sectional view of the container with lid, taken along line 10-10 in FIG. 3.

1 Claim, 10 Drawing Sheets



US D515,439 S

Page 2

U.S. PATENT DOCUMENTS

5,806,710 A 9/1998 Shiffer et al.
D400,787 S 11/1998 Keener
5,833,088 A 11/1998 Kladders et al.
D403,470 S * 12/1998 Litton et al. D28/82
D406,396 S * 3/1999 Granwehr D28/76
5,894,952 A 4/1999 Mendenhall et al.
5,894,953 A 4/1999 Ramirez
5,960,985 A 10/1999 Barrett
6,015,061 A 1/2000 Lowry

H1855 H * 8/2000 Litton et al. D28/82
6,119,890 A 9/2000 Kawamata
D431,458 S 10/2000 Bried et al.
6,158,607 A 12/2000 Wallberg
6,164,484 A 12/2000 Fiore et al.
D440,153 S * 4/2001 Lin D9/746
D476,233 S 6/2003 Versace
D494,474 S * 8/2004 Houk et al. D9/504
D498,678 S * 11/2004 Ames D9/529

* cited by examiner

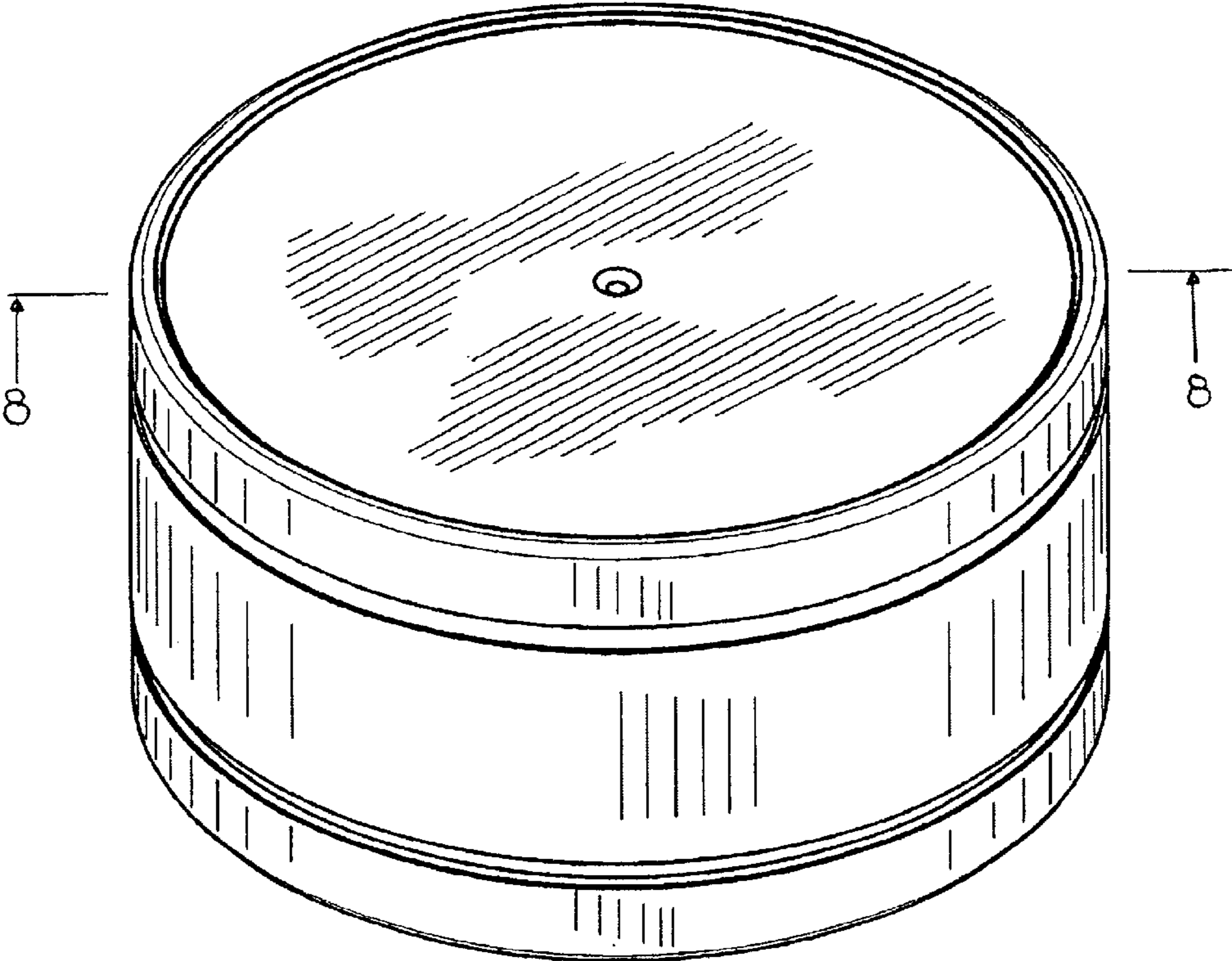


FIG. 1

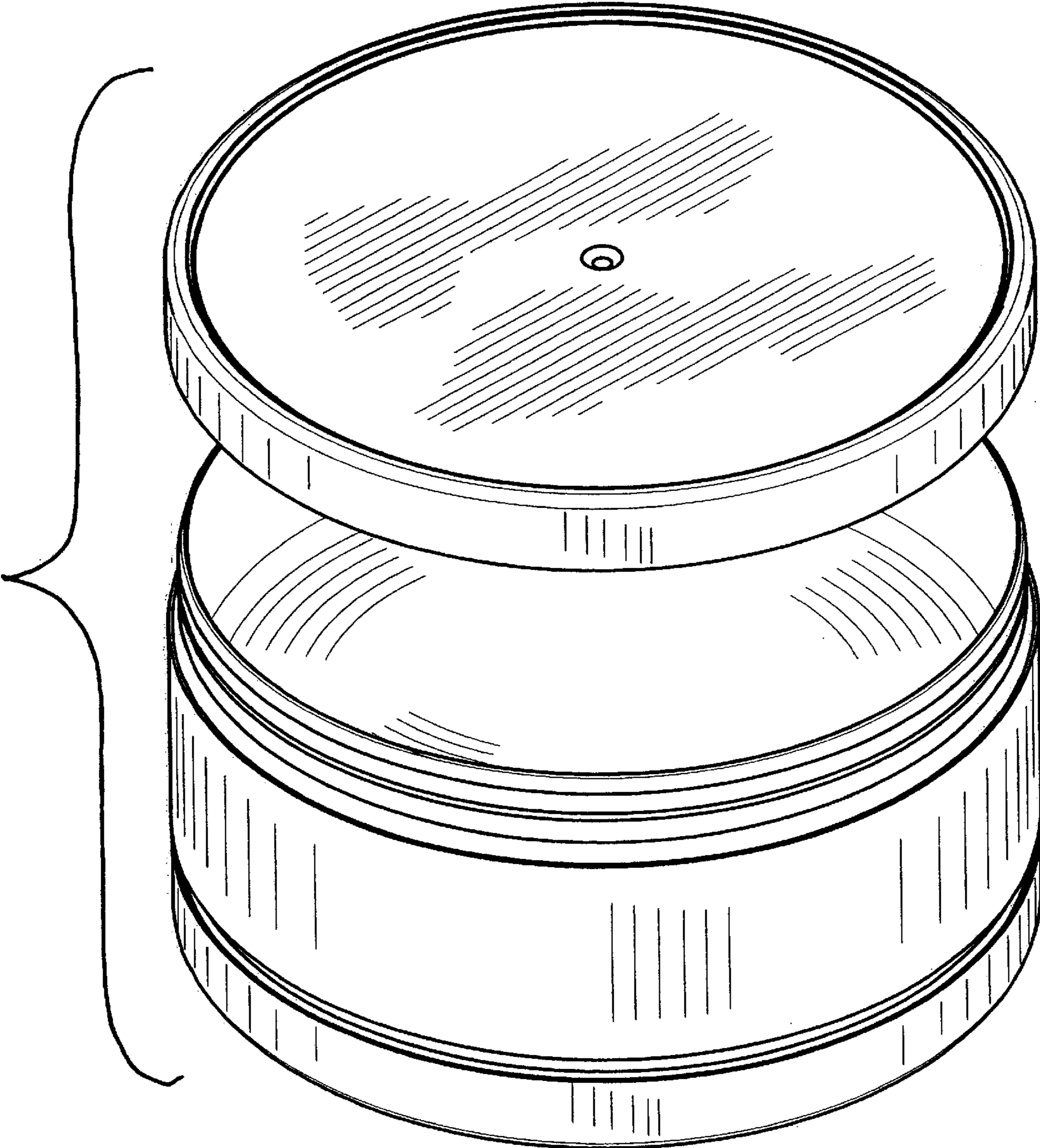


FIG. 2

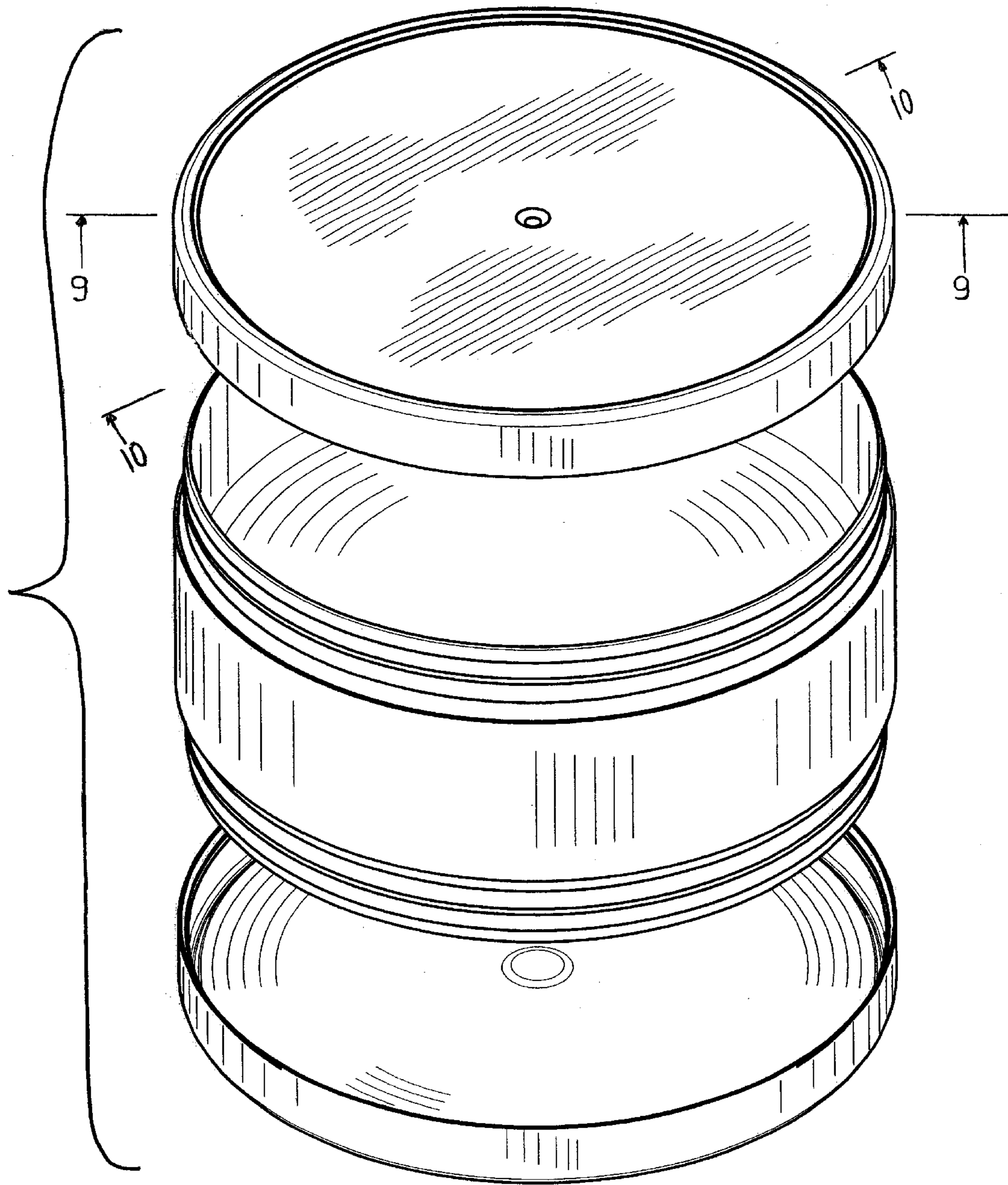


FIG. 3

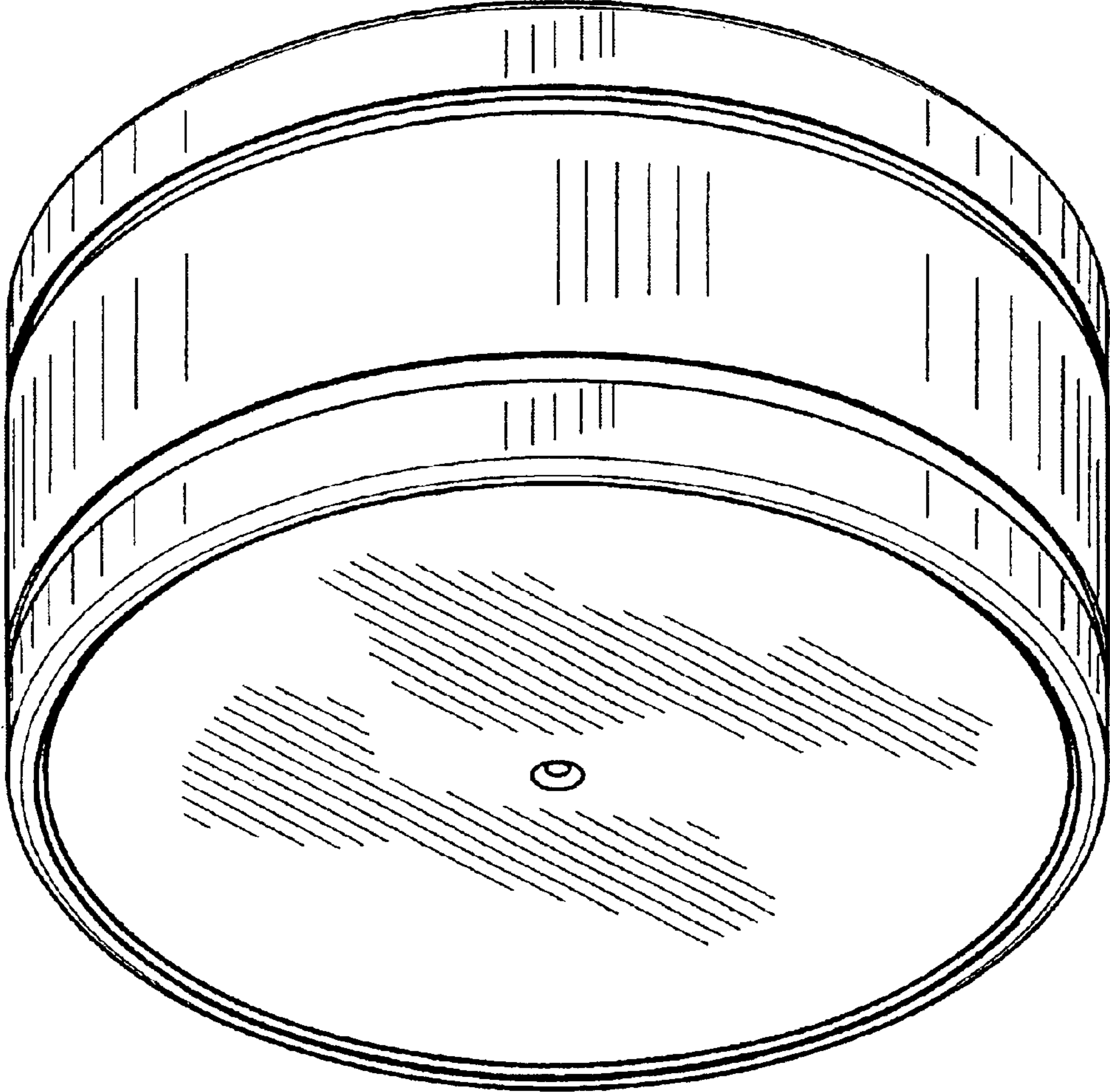


FIG. 4

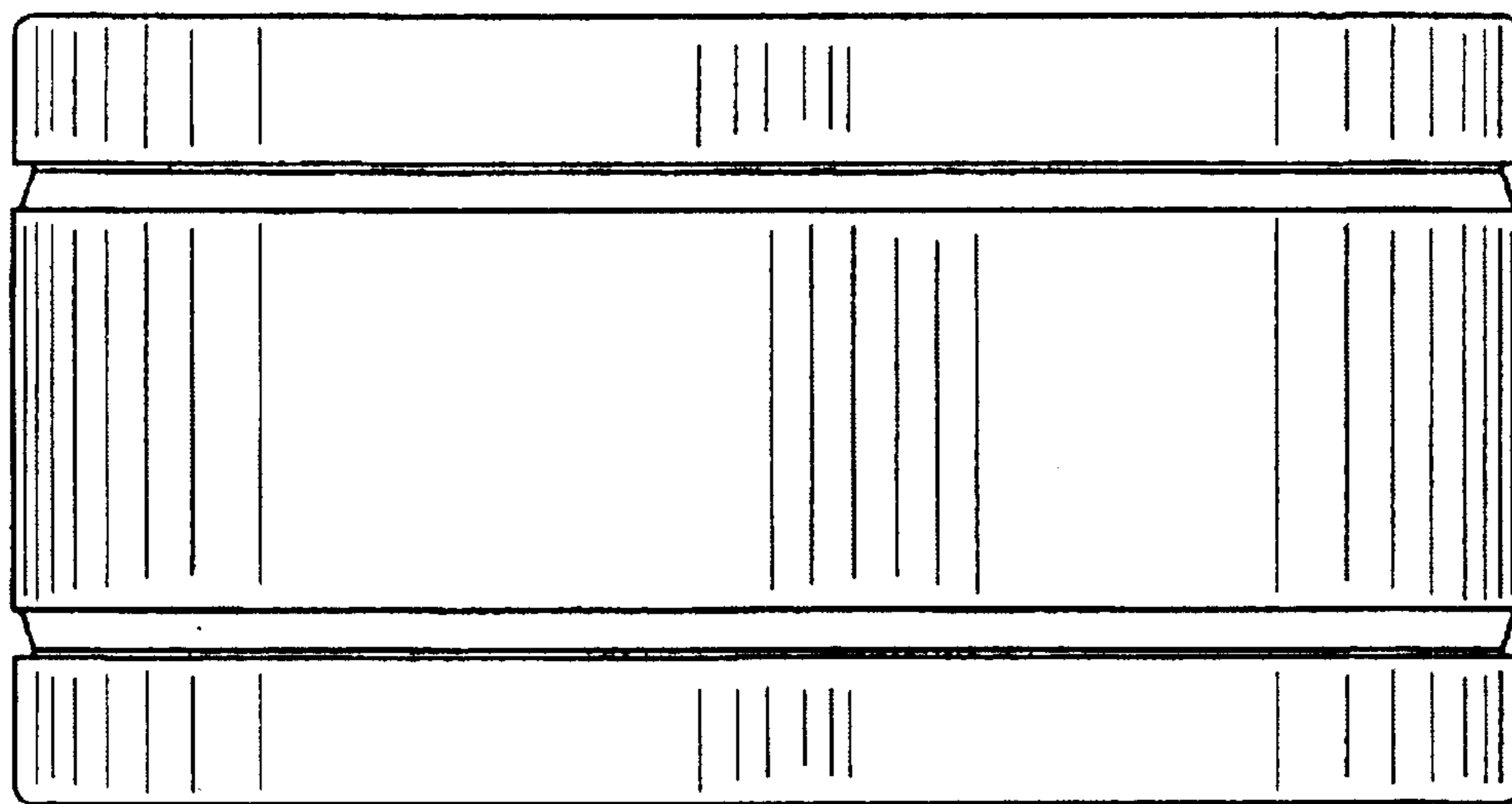


FIG. 5

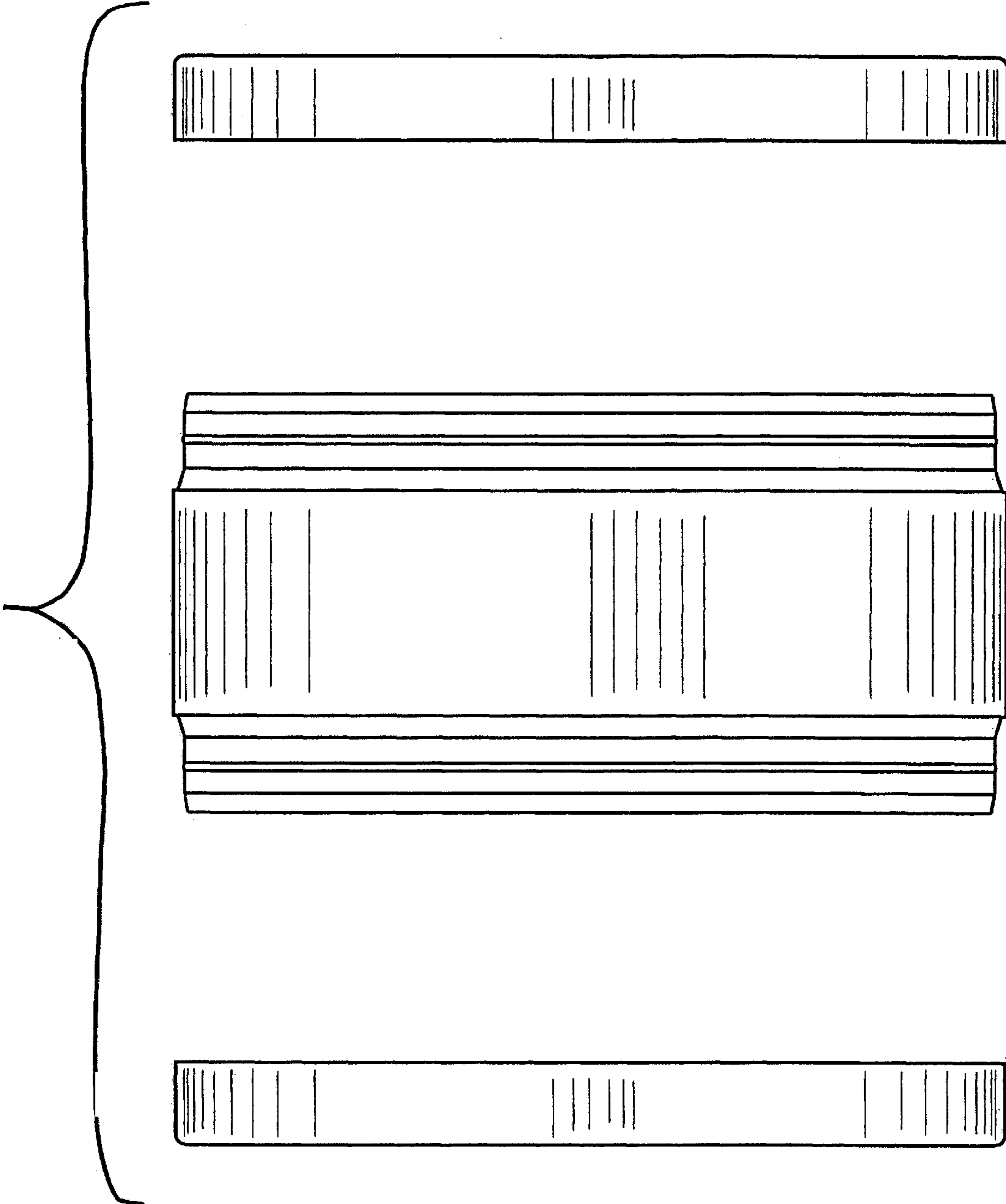


FIG. 6

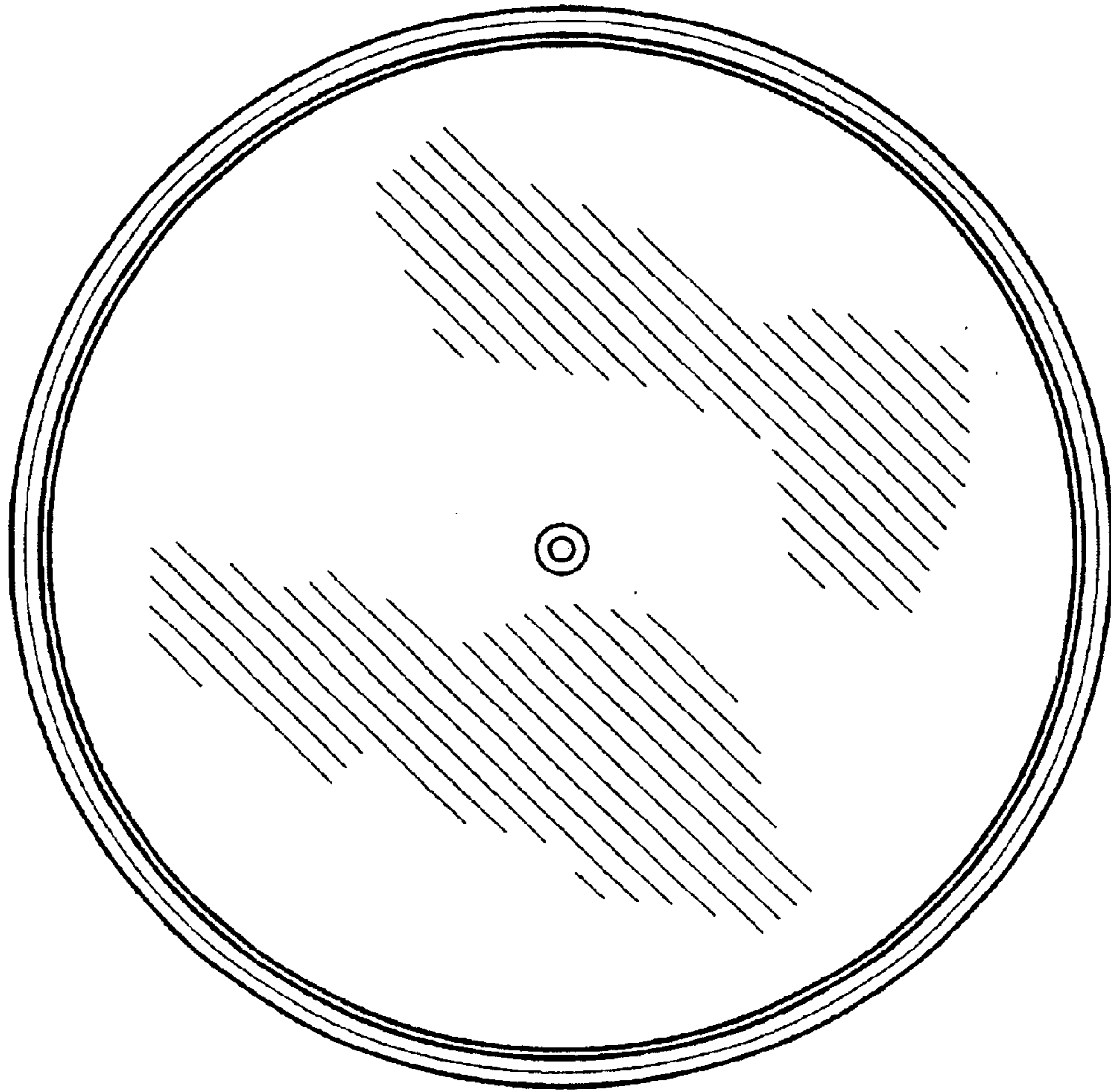


FIG. 7

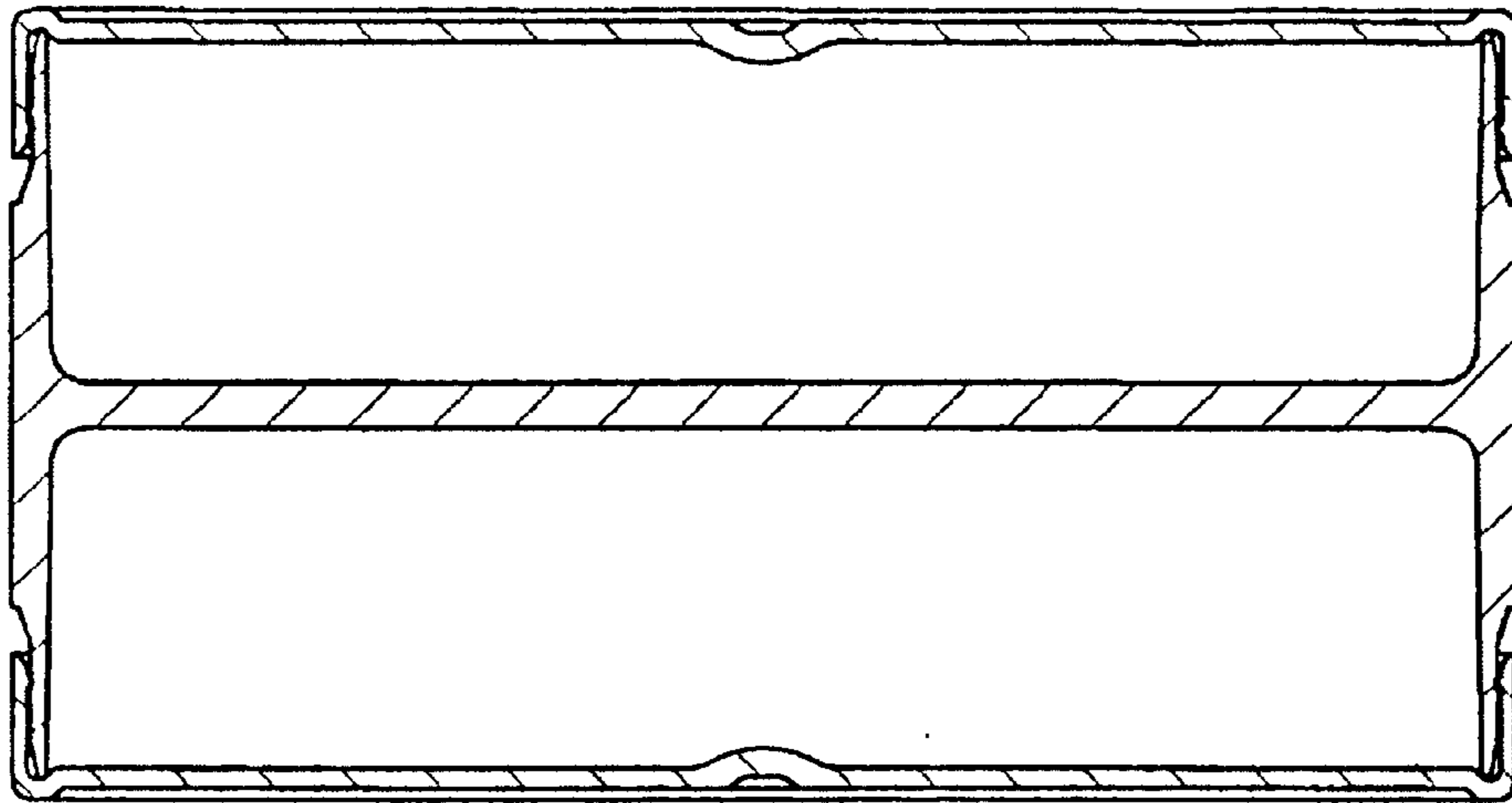


FIG. 8

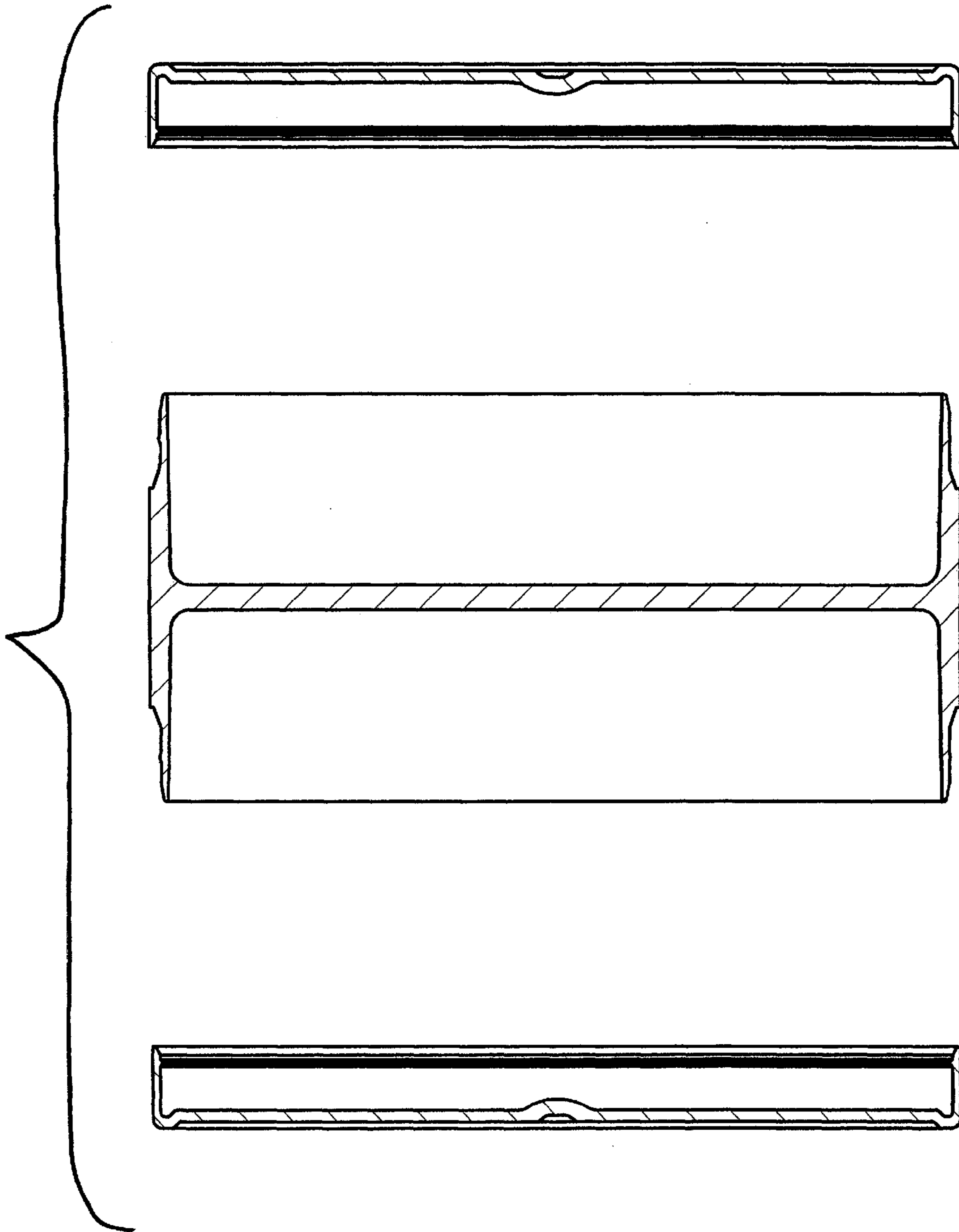


FIG. 9

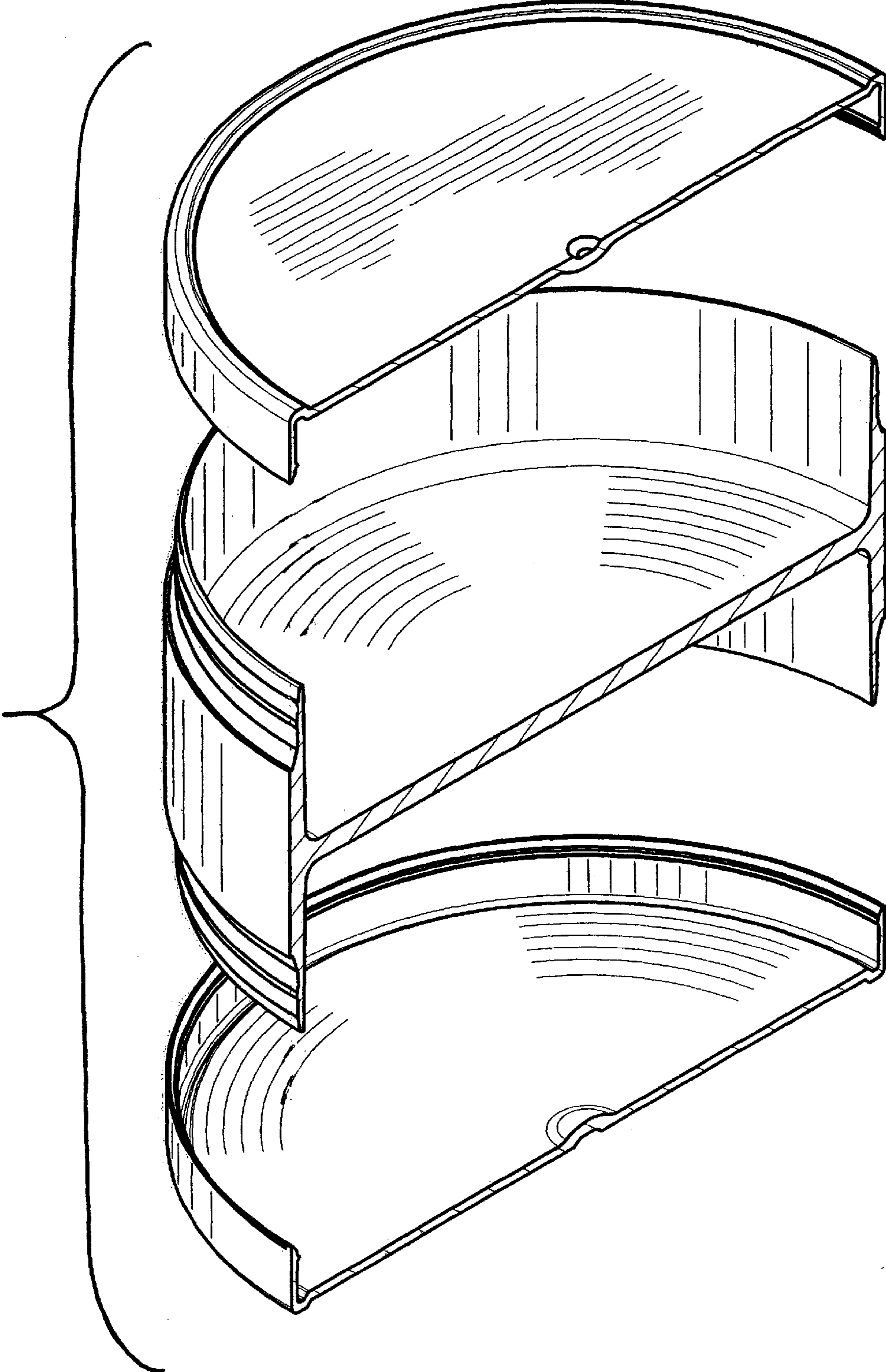


FIG. 10