



US00D515438S

(12) **United States Design Patent**
Baranowski et al.

(10) **Patent No.:** **US D515,438 S**
(45) **Date of Patent:** **** Feb. 21, 2006**

(54) **CONTAINER**

D366,828 S * 2/1996 Bachand et al. D9/761

(75) Inventors: **Brad P. Baranowski**, Racine, WI (US);
Christopher T. Peplow, Gurnee, IL
(US); **Bradley S. Kerl**, Madison, WI
(US)

* cited by examiner

Primary Examiner—Stella Reid
Assistant Examiner—Mark A. Goodwin

(73) Assignee: **S.C. Johnson & Son, Inc.**, Racine, WI
(US)

(57) **CLAIM**

The ornamental design for a container, as shown and described.

(**) Term: **14 Years**

DESCRIPTION

(21) Appl. No.: **29/212,651**

In a preferred embodiment, the nature of this product is as a container suitable for simultaneously holding a handle and a plurality of replacement pads that can be used therewith.

(22) Filed: **Sep. 3, 2004**

FIG. 1 is a left, top, front perspective view of a container embodying our new design;

(51) **LOC (8) Cl.** **09-03**

(52) **U.S. Cl.** **D9/737**

(58) **Field of Classification Search** D9/737,
D9/414, 418, 420, 424, 432, 422, 425, 430,
D9/431, 756, 761; D22/119; 220/23.6, 23.8,
220/4.26, 4.27; 206/45.23, 472, 473, 474,
206/486, 487, 822

FIG. 2 is a front elevational view thereof, the rear elevational view thereof being a mirror image of the front elevational view shown;

FIG. 3 is a left side elevational view thereof;

FIG. 4 is a right side elevational view thereof;

FIG. 5 is a top plan view thereof;

FIG. 6 is a bottom plan view thereof;

FIG. 7 is a top plan view thereof, but showing a hinged cover portion thereof swung out to an open position; and,

FIG. 8 is a vertical sectional view taken along line 8—8 of FIG. 7.

The broken line showing in FIGS. 5–7 represents a perforation for folding purposes upon the claimed design.

See application file for complete search history.

(56) **References Cited**

U.S. PATENT DOCUMENTS

- D246,854 S * 1/1978 Baker D22/119
- D260,237 S * 8/1981 Fuzere D9/425
- D283,487 S * 4/1986 Holewinski et al. D9/756
- D308,331 S * 6/1990 Slavin et al. D9/737
- D318,419 S * 7/1991 Jensen et al. D9/737
- D336,613 S 6/1993 Zutler

1 Claim, 5 Drawing Sheets

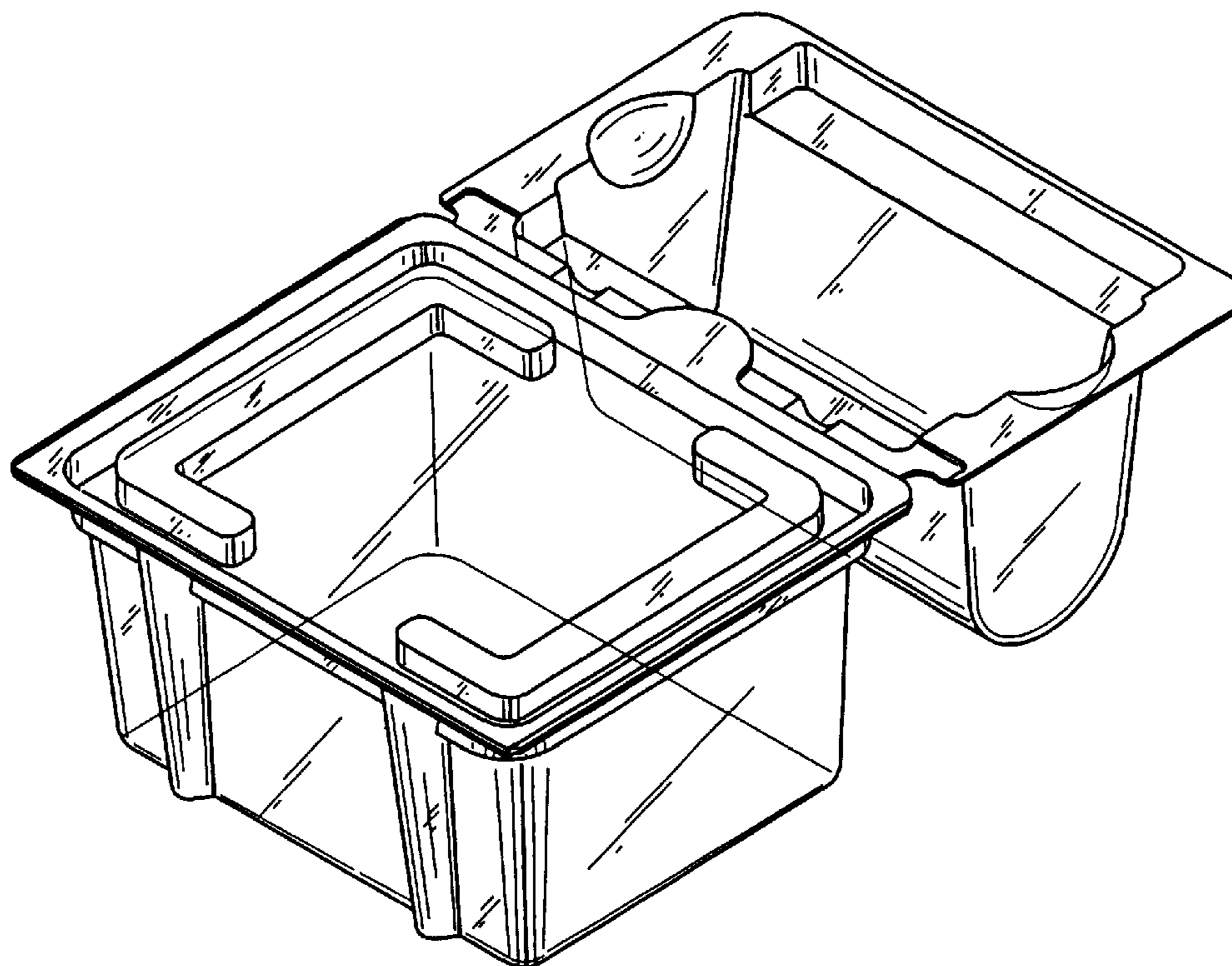


FIG. 1

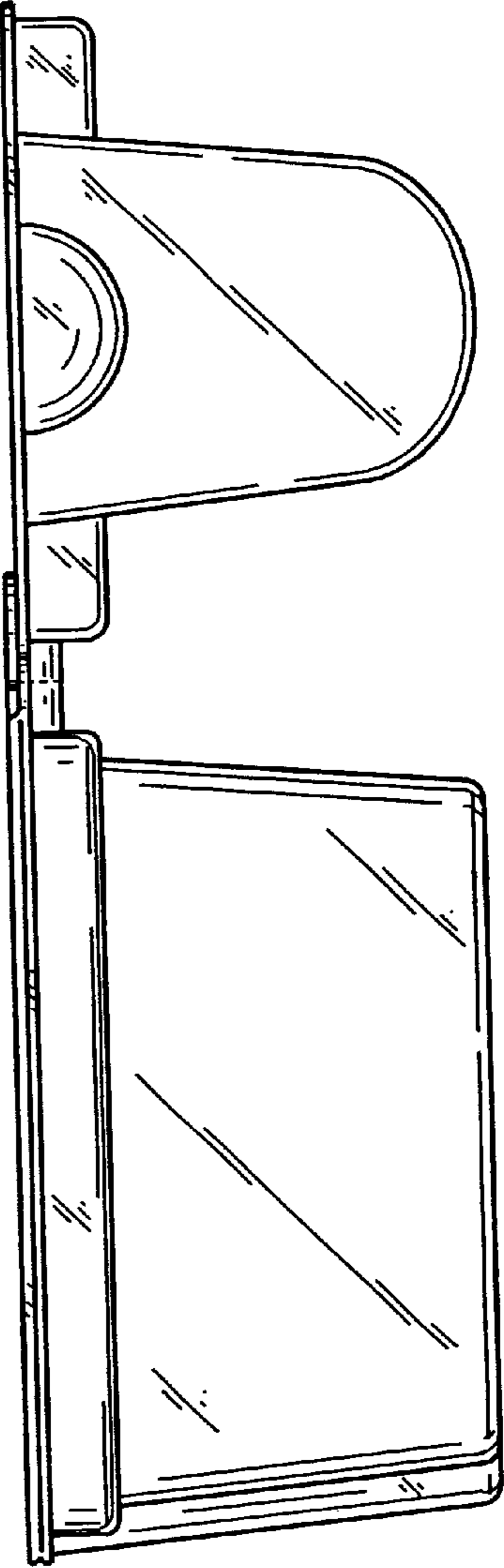
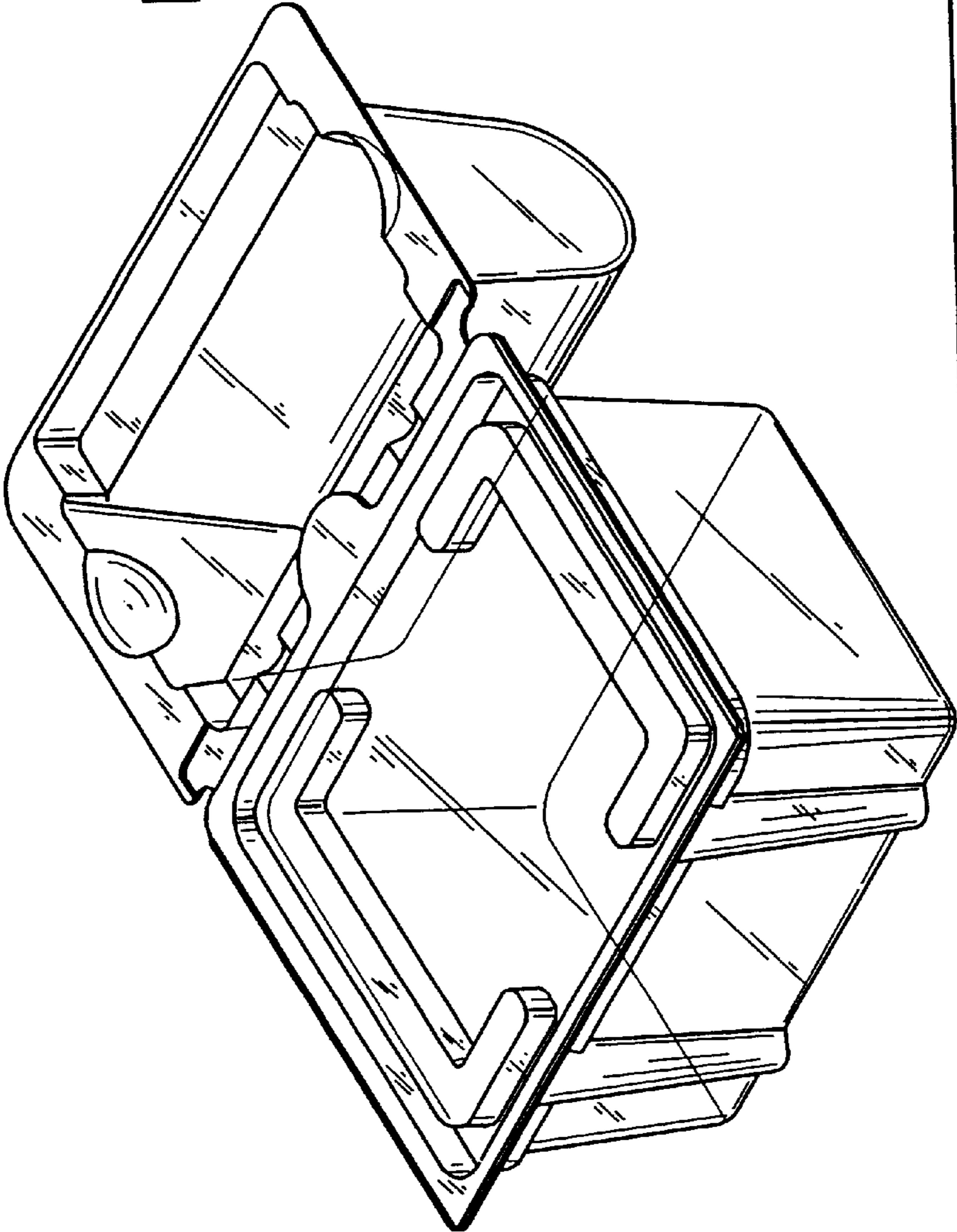


FIG. 2

FIG 3

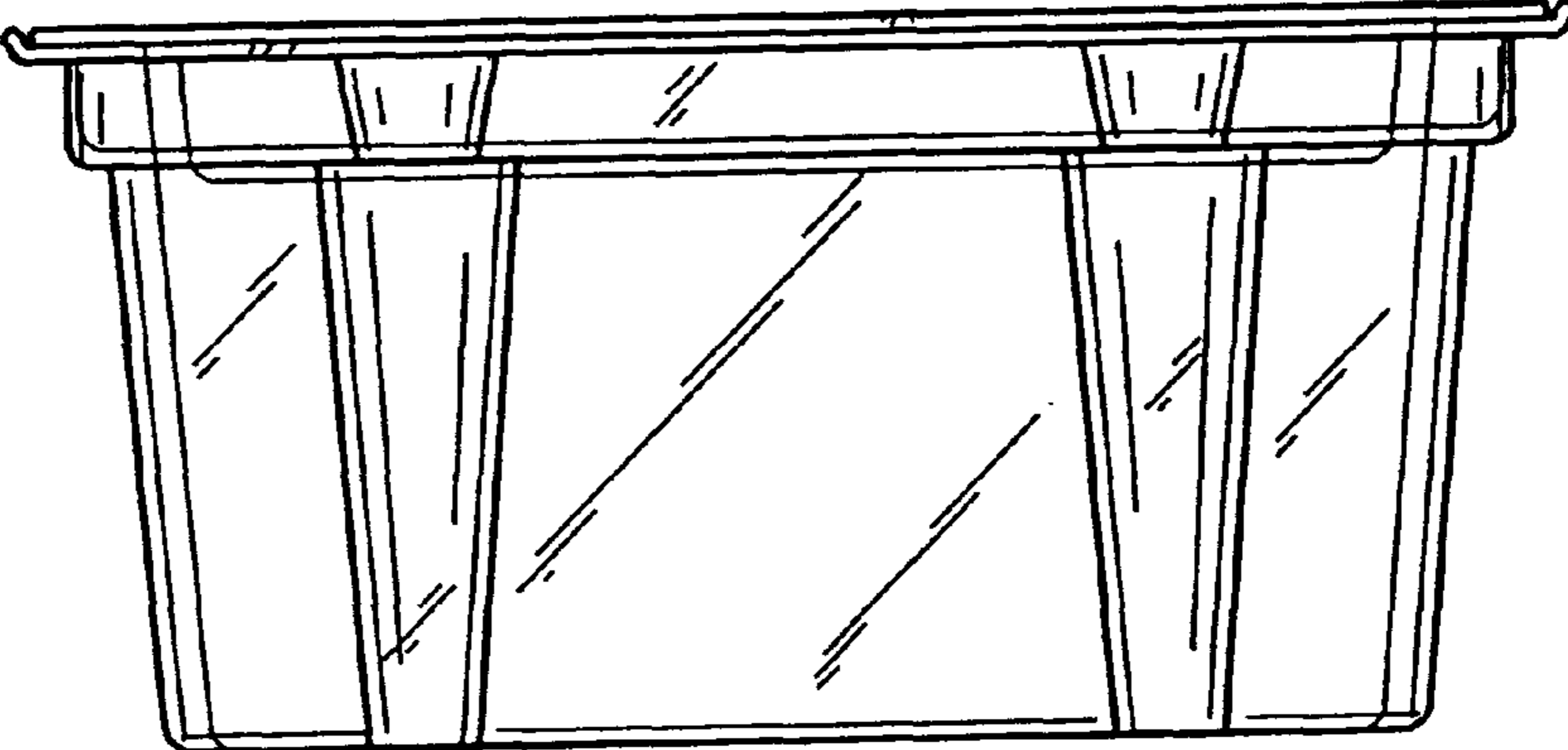
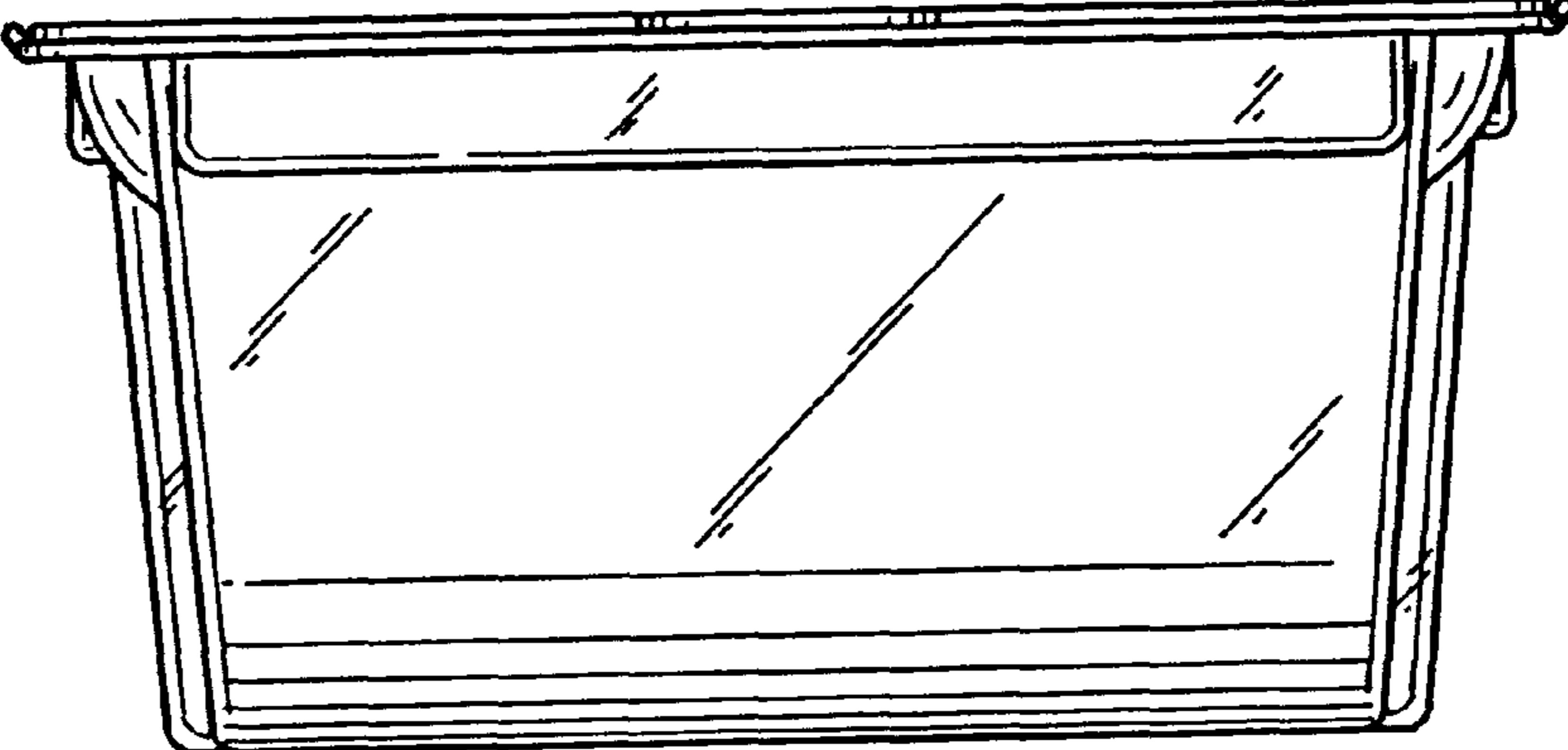


FIG. 4



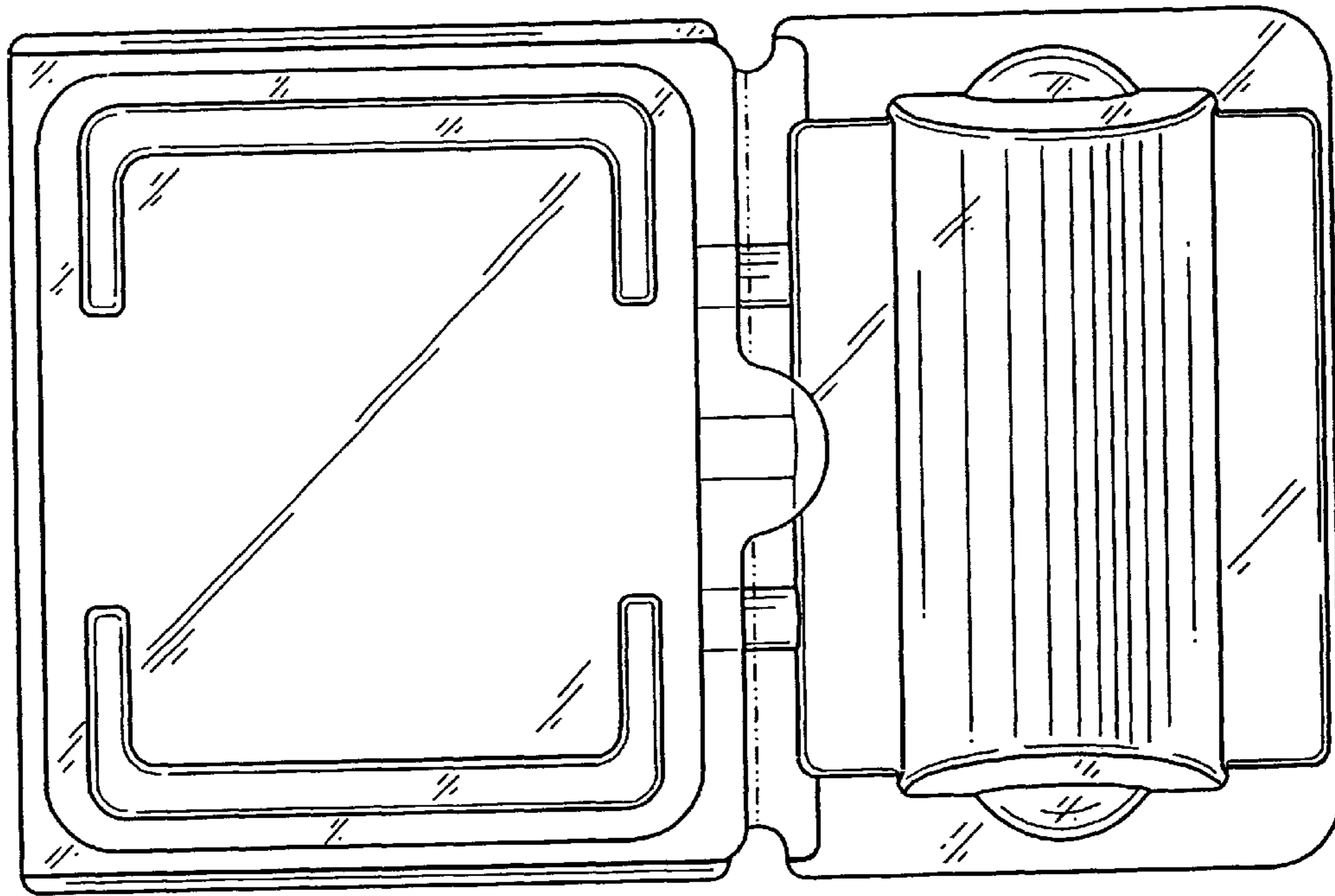


FIG. 5

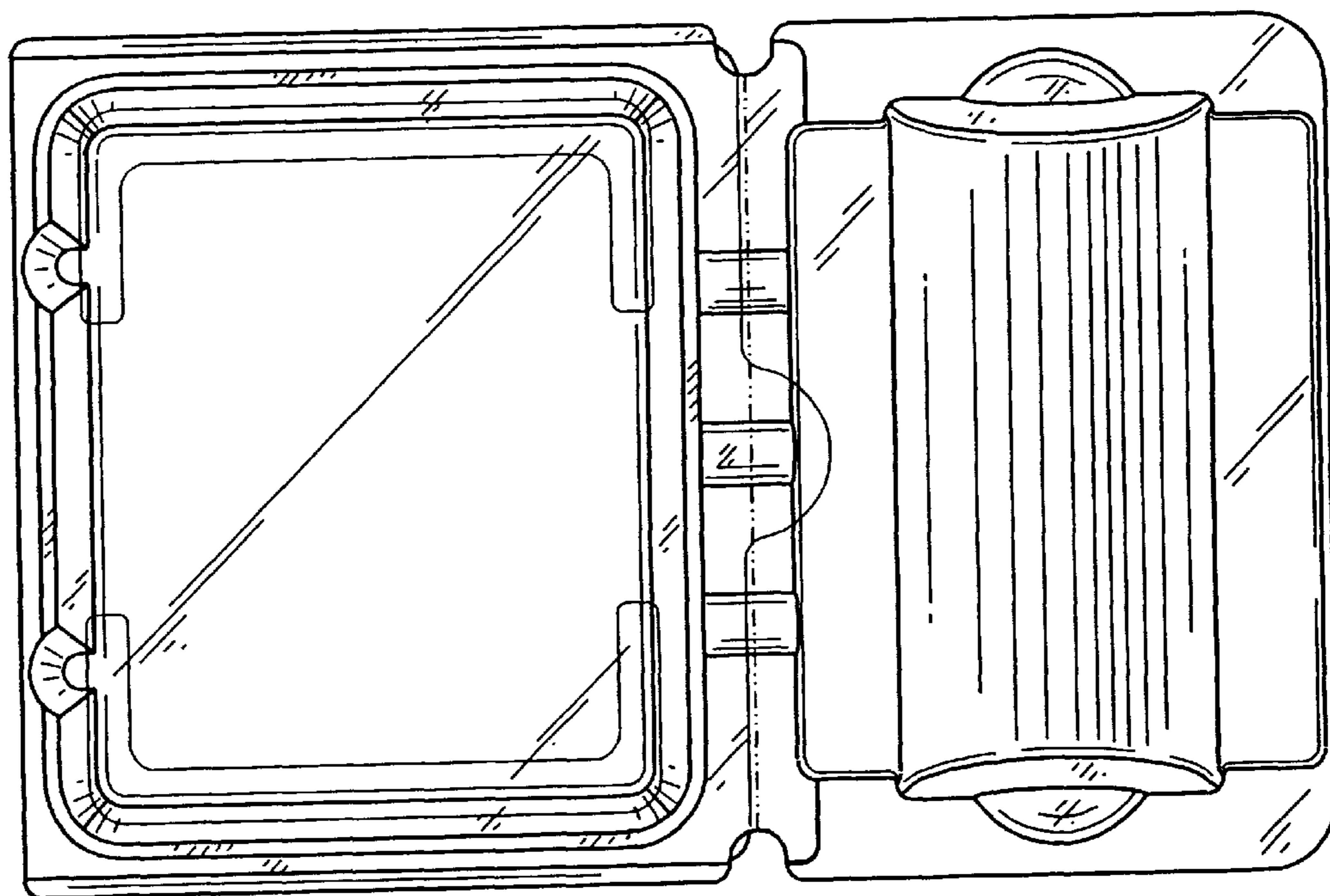


FIG. 6

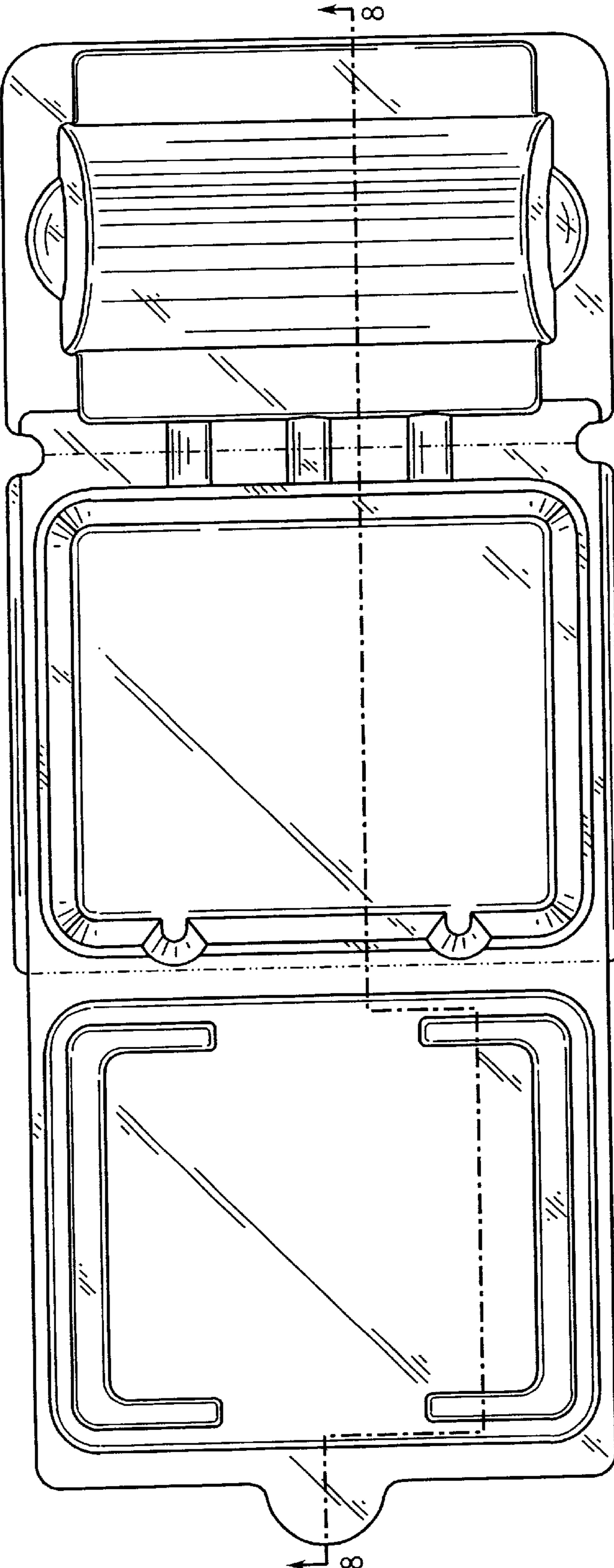


FIG. 7

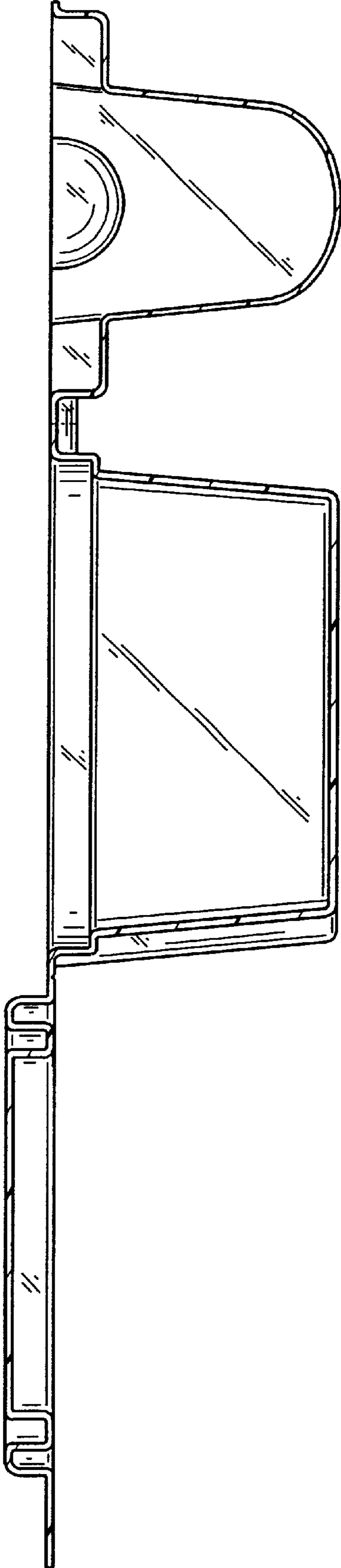


FIG. 8