



US00D515434S

(12) **United States Design Patent**
Zboch et al.

(10) **Patent No.:** **US D515,434 S**
(45) **Date of Patent:** **** Feb. 21, 2006**

(54) **BOTTLE**

(75) Inventors: **Gerald Zboch**, Barrington, IL (US);
Margo P. Pidgeon, Glen Ellyn, IL
(US); **Jeremy M. White**, Barrington, IL
(US); **Lance S. Oxley**, New Palestine,
IN (US)

(73) Assignee: **Stokely-Van Camp, Inc.**, Chicago, IL
(US)

(**) Term: **14 Years**

(21) Appl. No.: **29/228,173**

(22) Filed: **Apr. 20, 2005**

Related U.S. Application Data

(62) Division of application No. 29/181,503, filed on May 12,
2003.

(51) **LOC (8) Cl.** **09-01**

(52) **U.S. Cl.** **D9/667; D9/543; D9/569**

(58) **Field of Classification Search** D9/667,
D9/500-504, 516, 520, 530-531, 541-543,
D9/559-560, 563-570, 572-575; 215/379-383,
215/400; 220/890

See application file for complete search history.

(56) **References Cited**

U.S. PATENT DOCUMENTS

| | | | | | |
|------------|---|---------|-------------------|-------|--------|
| D452,158 S | * | 12/2001 | Dygart | | D9/543 |
| D454,501 S | * | 3/2002 | Tornaletti et al. | | D9/541 |
| D459,234 S | * | 6/2002 | Bourque et al. | | D9/543 |
| D471,111 S | * | 3/2003 | Kuzma et al. | | D9/543 |
| D472,816 S | * | 4/2003 | Wright | | D9/543 |
| D478,514 S | * | 8/2003 | Fai | | D9/531 |

* cited by examiner

Primary Examiner—Sandra L. Morris

(74) *Attorney, Agent, or Firm*—Lars S. Johnson; James D.
Ryndak

(57) **CLAIM**

The ornamental design for a bottle, as shown and described.

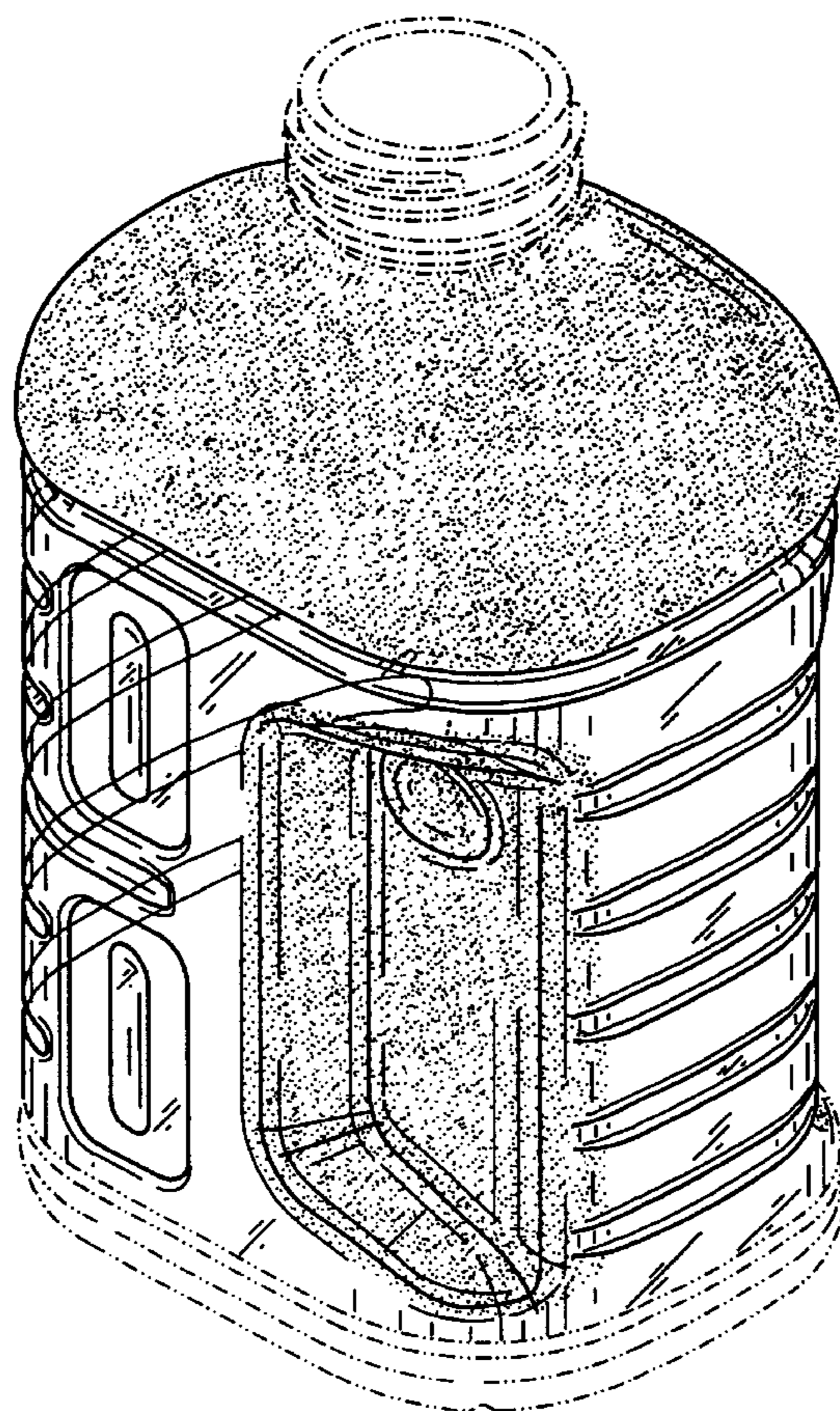
DESCRIPTION

FIG. 1 is a perspective view of a bottle depicting the new
design; and,

FIG. 2 is an elevational view of the bottle depicted in FIG.
1, the opposite elevational view being a mirror image
thereof.

The broken line showing in the drawings is for illustrative
purposes only, and forms no part of the claimed design.

1 Claim, 2 Drawing Sheets



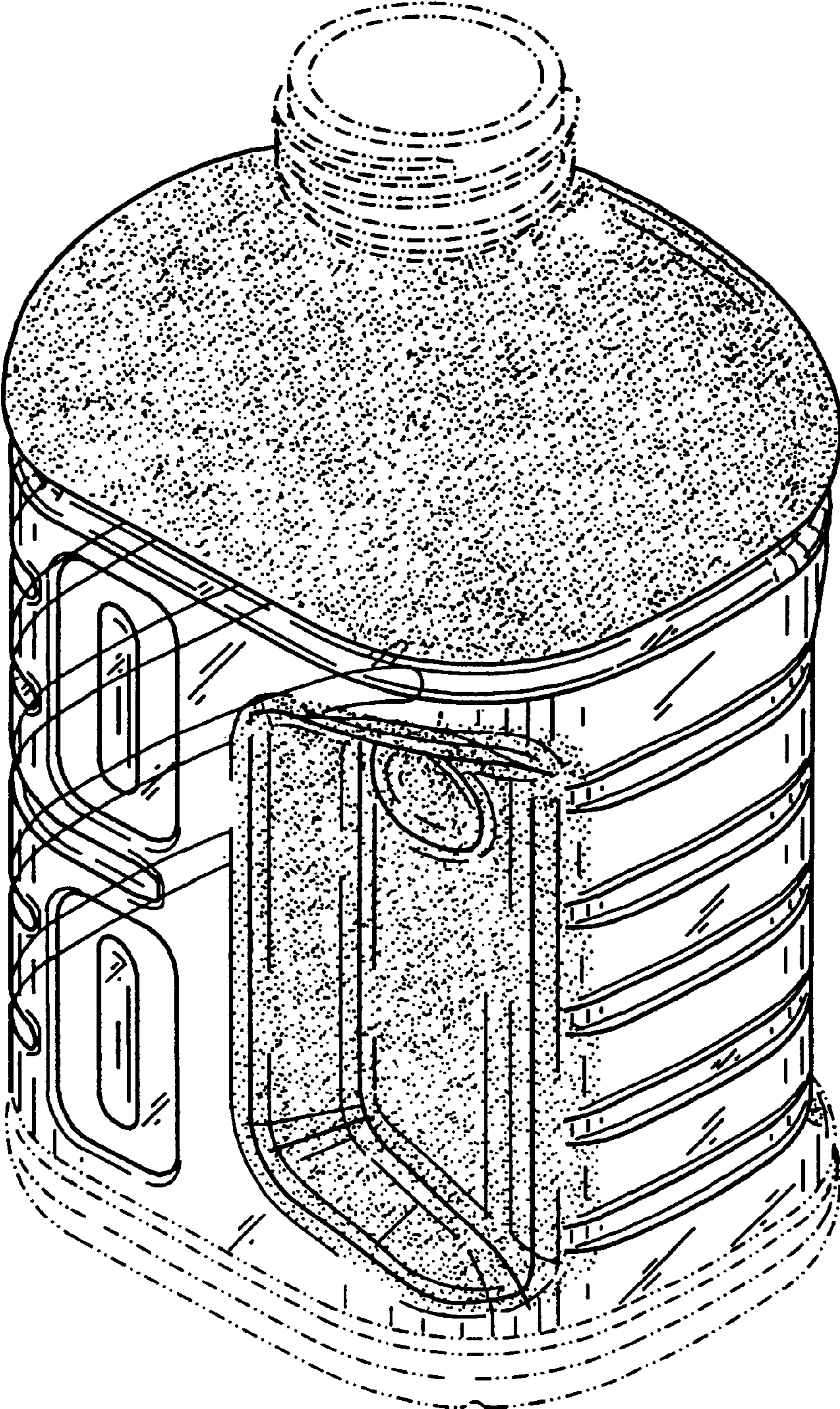


FIG. 1

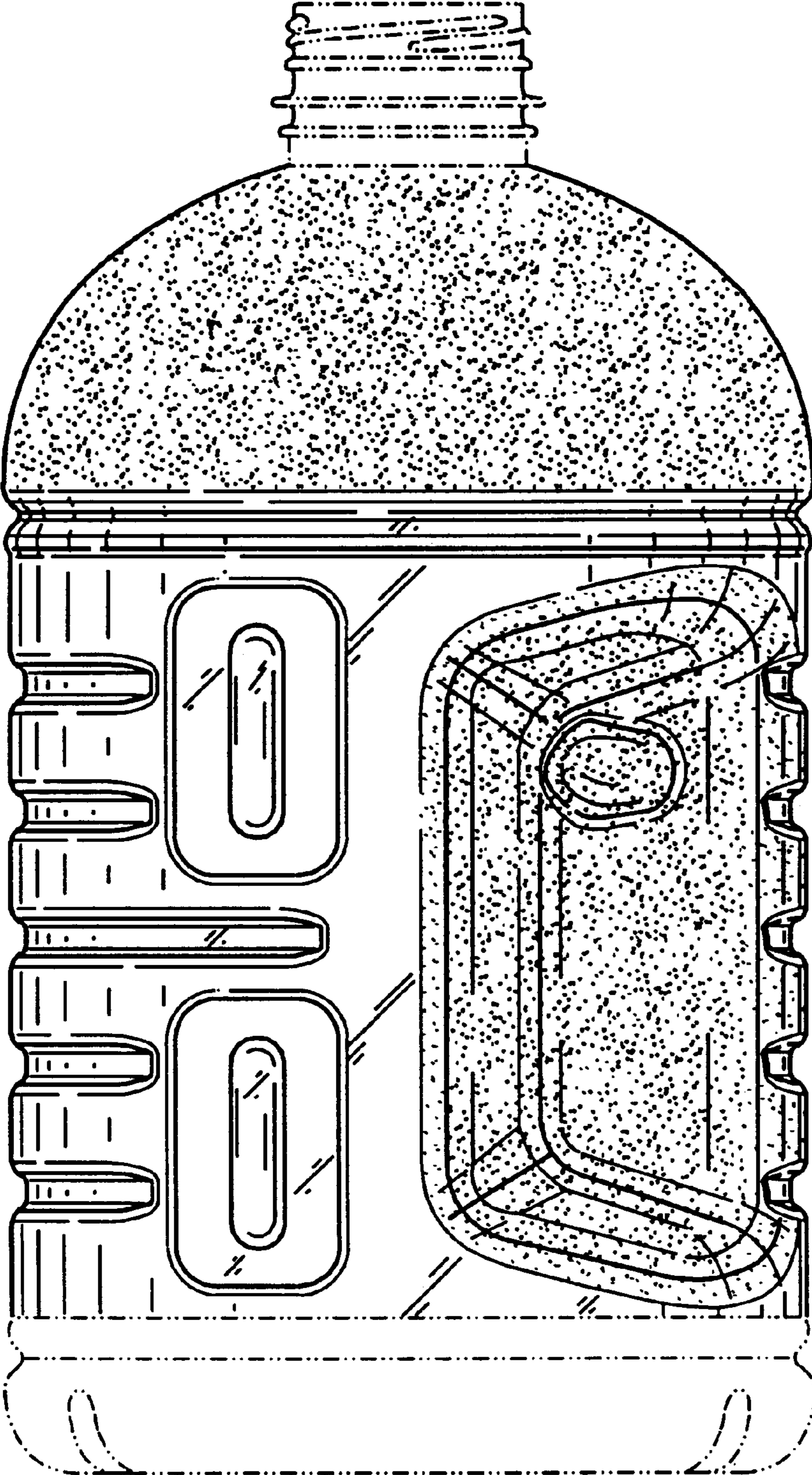


FIG. 2