



US00D515433S

(12) **United States Design Patent** (10) **Patent No.:** **US D515,433 S**
Bretz et al. (45) **Date of Patent:** **** Feb. 21, 2006**

(54) **BOTTLE**

(75) Inventors: **John M. Bretz**, Crystal Lake, IL (US);
John L. Konieczka, Lake Barrington,
IL (US); **Scott A. Schoessel**, Evanston,
IL (US); **Jill Maine**, Chicago, IL (US);
Roland Charriez, Mohegan Lake, NY
(US)

(73) Assignee: **Stokely-Van Camp, Inc.**, Chicago, IL
(US)

(**) Term: **14 Years**

(21) Appl. No.: **29/209,905**

(22) Filed: **Jul. 23, 2004**

Related U.S. Application Data

(62) Division of application No. 29/207,938, filed on Jun. 21,
2004, which is a continuation of application No. 29/169,364,
filed on Oct. 18, 2002, now abandoned.

(51) **LOC (8) Cl.** **09-01**

(52) **U.S. Cl.** **D9/667; D9/434; D9/558**

(58) **Field of Classification Search** D9/307,
D9/434, 500-504, 516-521, 537-543, 549,
D9/558, 567-570; 215/375, 379-383, 400
See application file for complete search history.

(56) **References Cited**

U.S. PATENT DOCUMENTS

5,067,622 A 11/1991 Garver et al.

D330,330 S * 10/1992 Behm et al. D9/434
D345,693 S * 4/1994 Edstrom D9/652
5,549,210 A * 8/1996 Cheng 215/375
D391,493 S 3/1998 Panella et al.
D418,414 S * 1/2000 Cheng et al. D9/434
6,044,996 A 4/2000 Carew et al.
D454,786 S * 3/2002 Zboch et al. D9/434

* cited by examiner

Primary Examiner—Sandra L. Morris

(74) *Attorney, Agent, or Firm*—Ryndak & Suri

(57) **CLAIM**

The ornamental design for a bottle, as shown and described.

DESCRIPTION

FIG. 1 is a perspective view of a bottle, showing the new design, the broken line showing is for illustrative purposes only, and forms no part of the claimed design;

FIG. 2 is an elevational view thereof;

FIG. 3 is another elevational view thereof, representing a partial rotation of the bottle about its vertical axis from the elevational view depicted in FIG. 2;

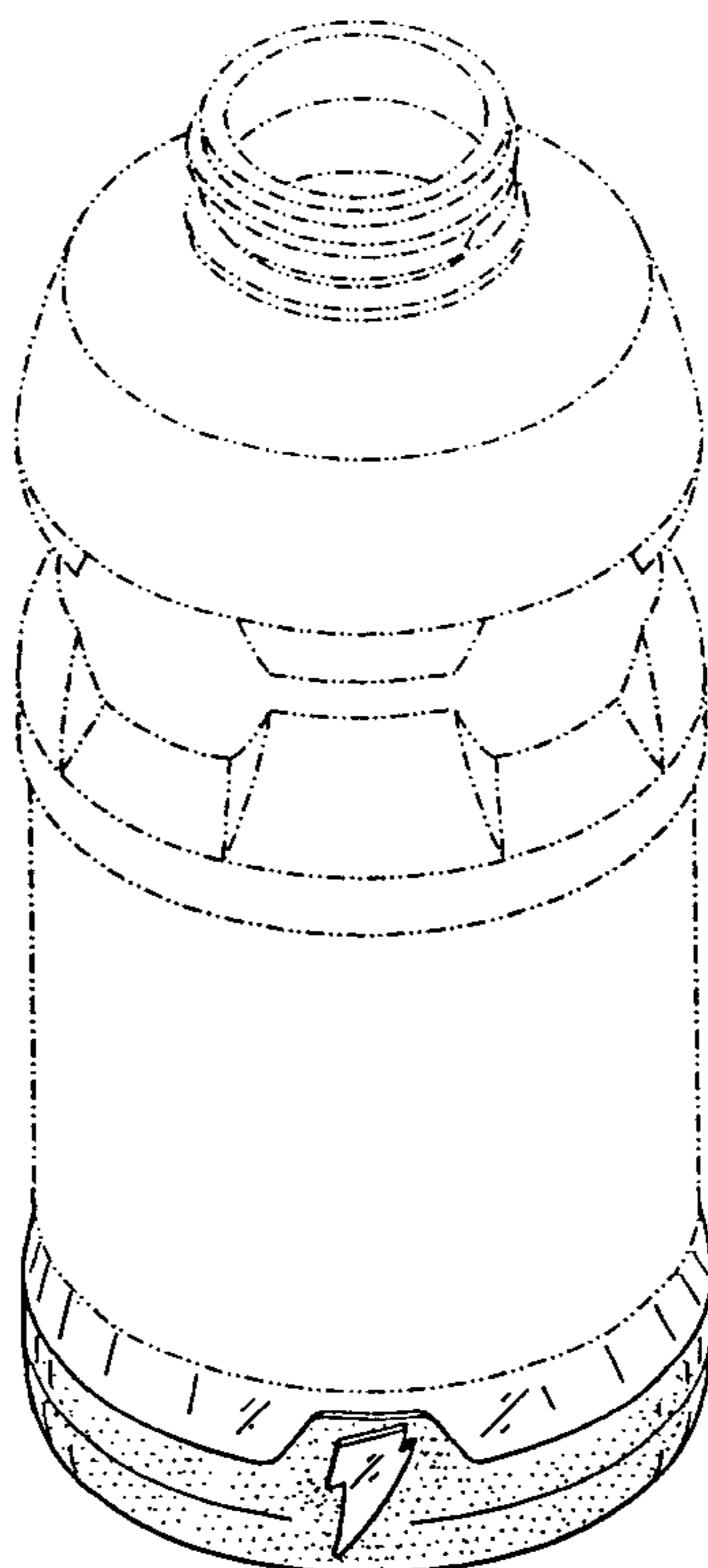
FIG. 4 is another elevational view thereof, representing a partial rotation of the bottle about its vertical axis from the elevational view depicted in FIG. 3;

FIG. 5 is another elevational view thereof, representing a partial rotation of the bottle about its vertical axis from the elevational view depicted in FIG. 4;

FIG. 6 is a top plan view thereof; and,

FIG. 7 is a bottom plan view thereof.

1 Claim, 5 Drawing Sheets



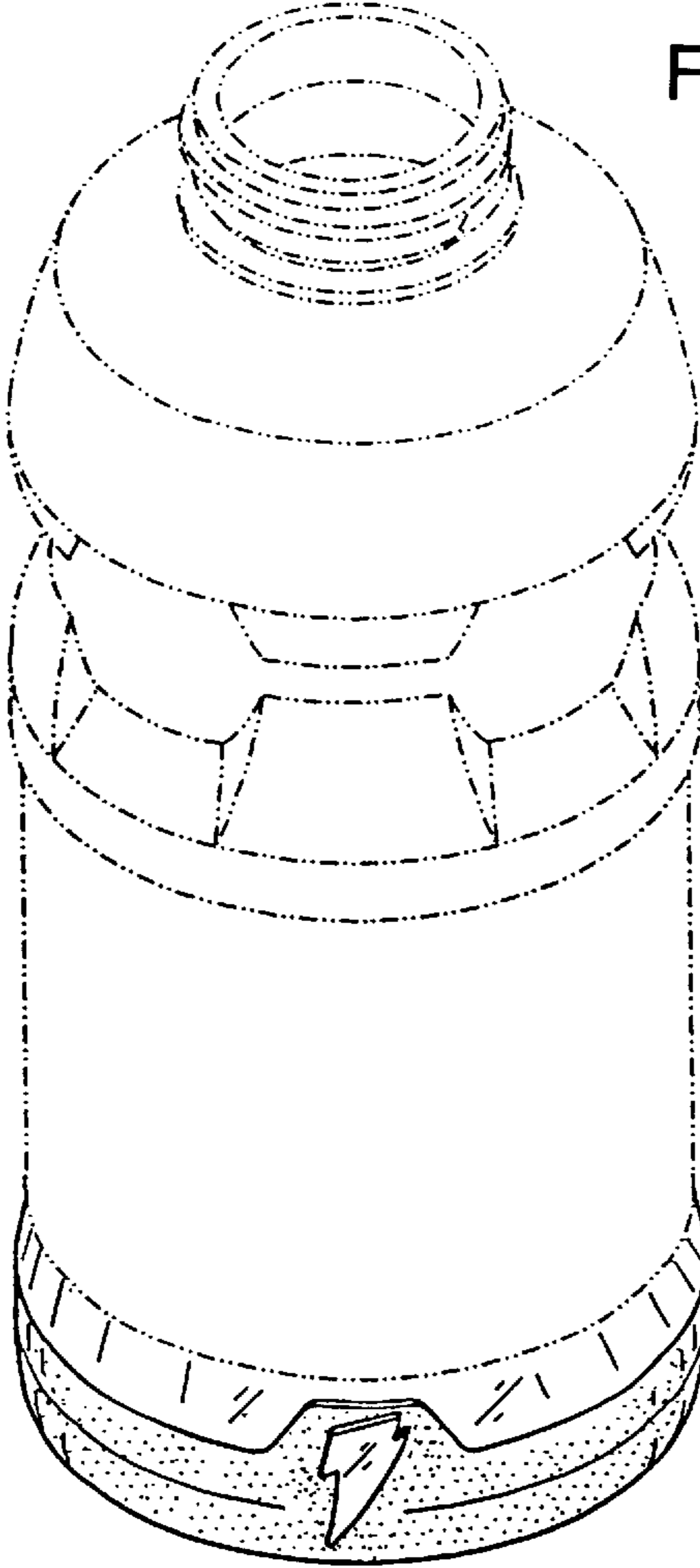


FIG. 1

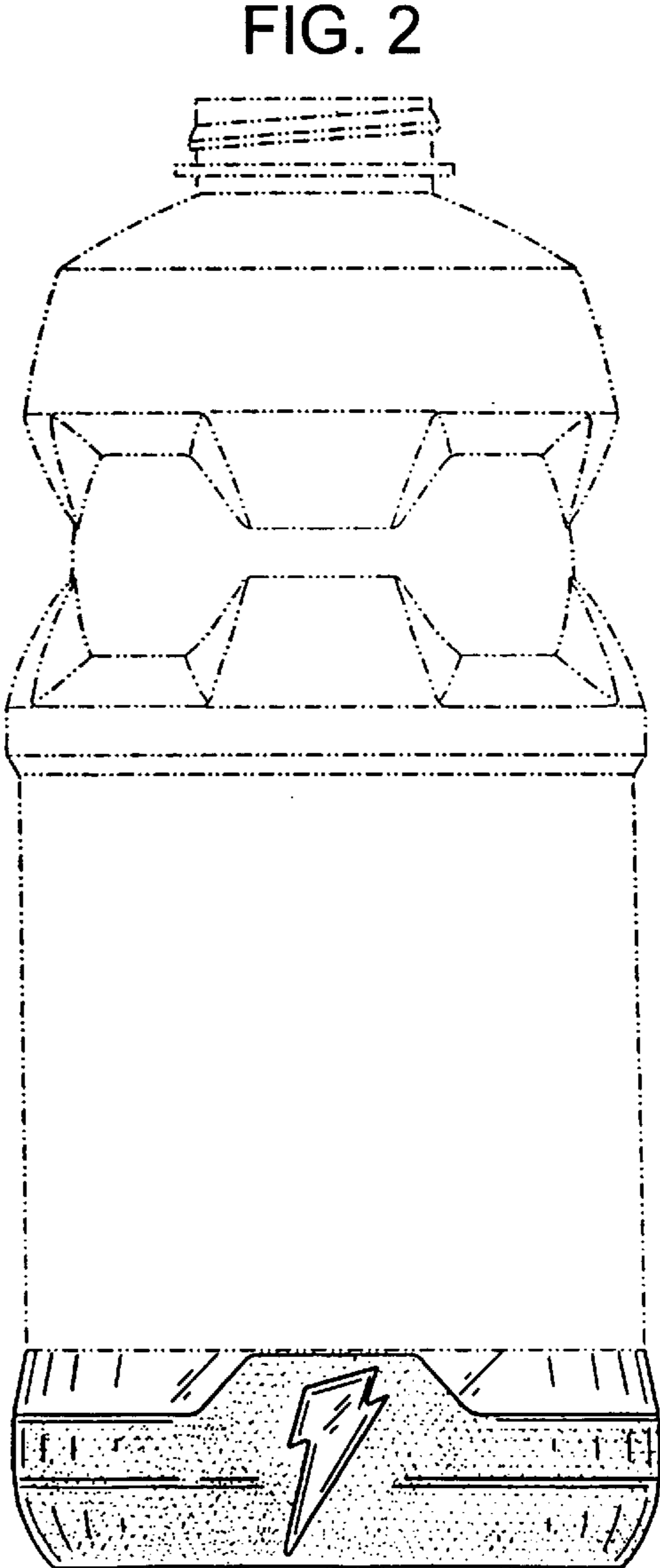


FIG. 2

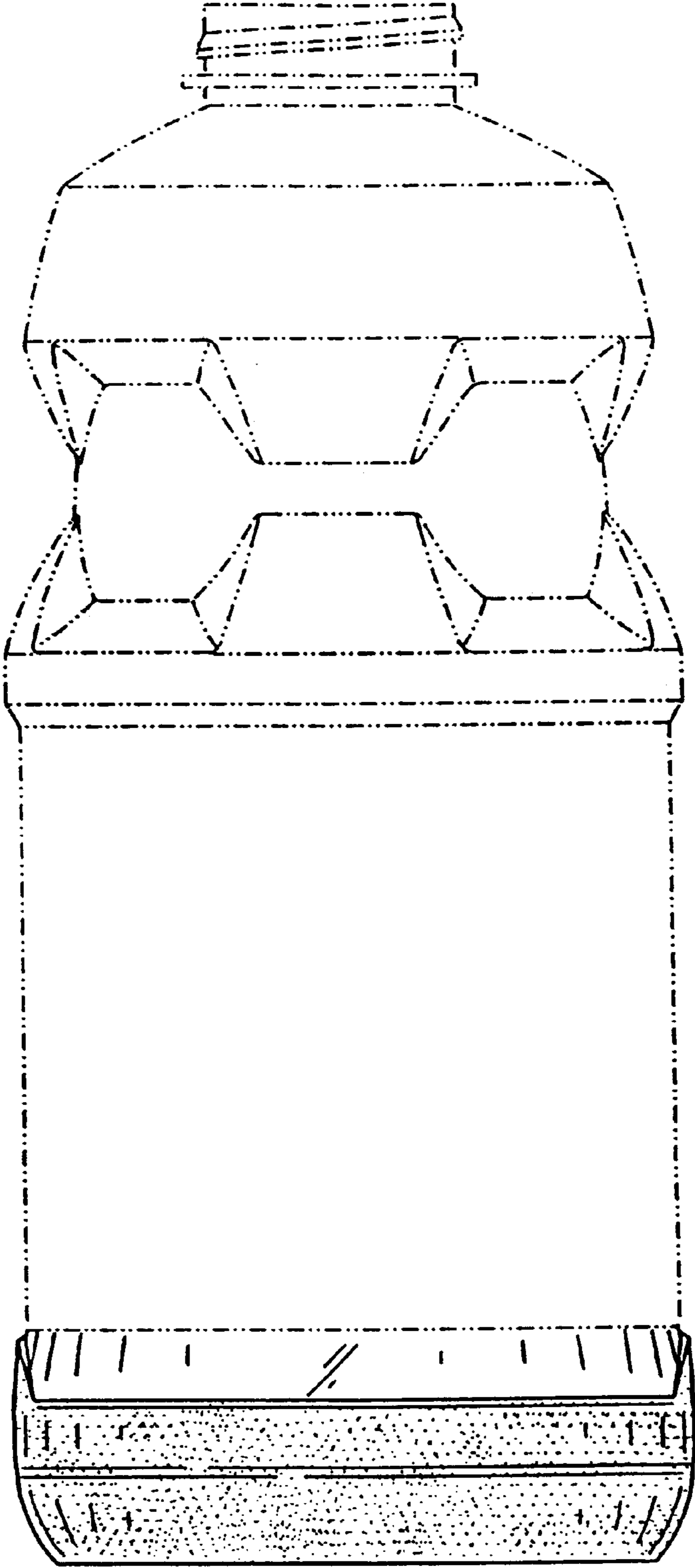


FIG. 3

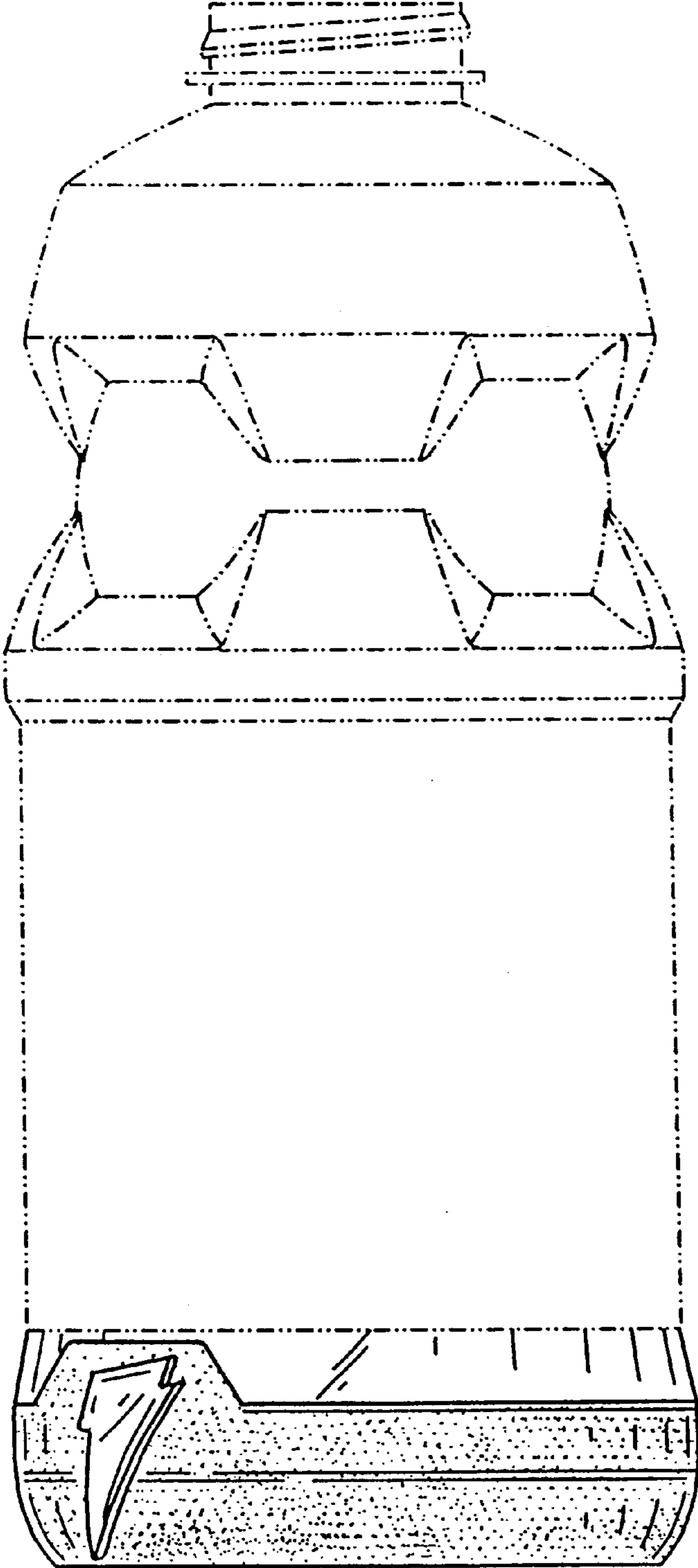


FIG. 4

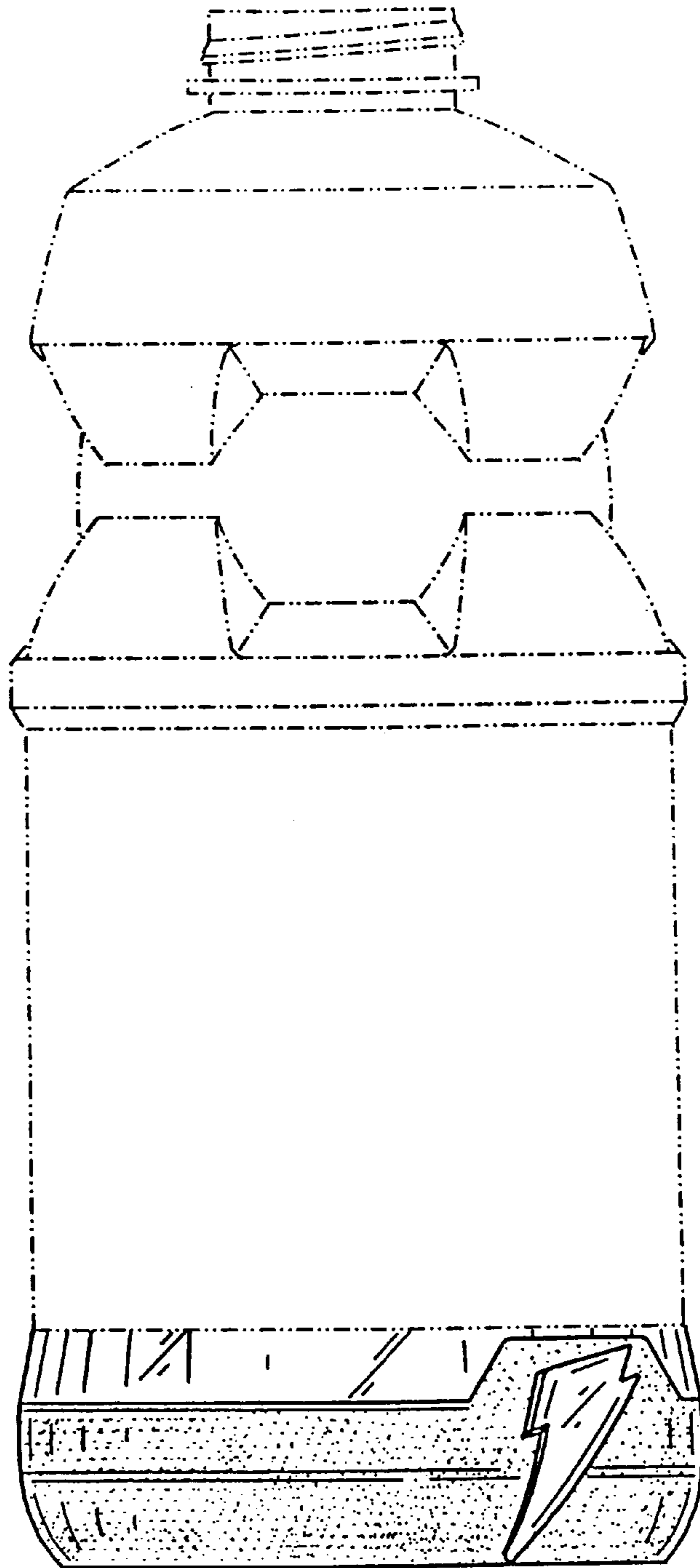


FIG. 5

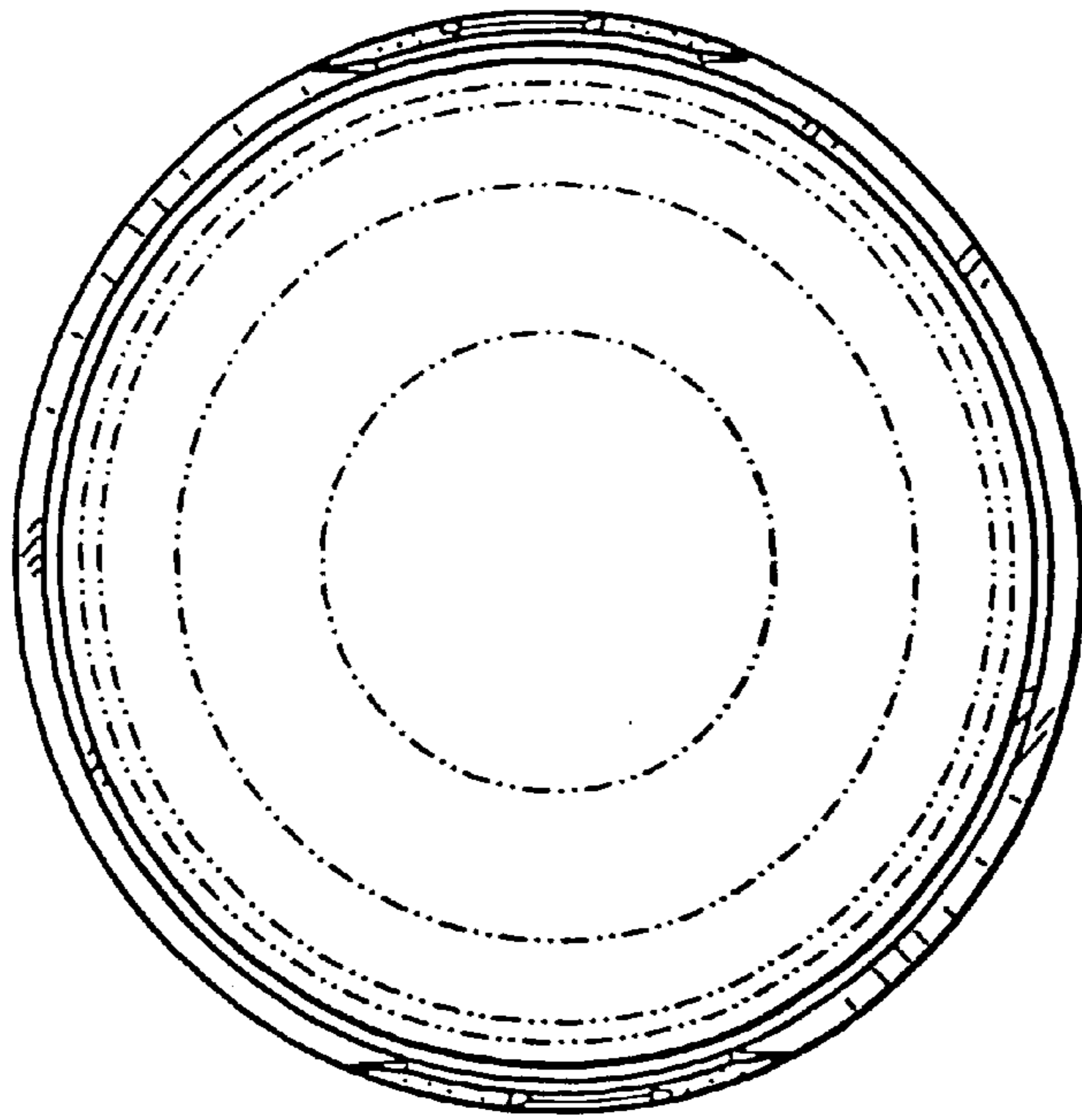


FIG. 6

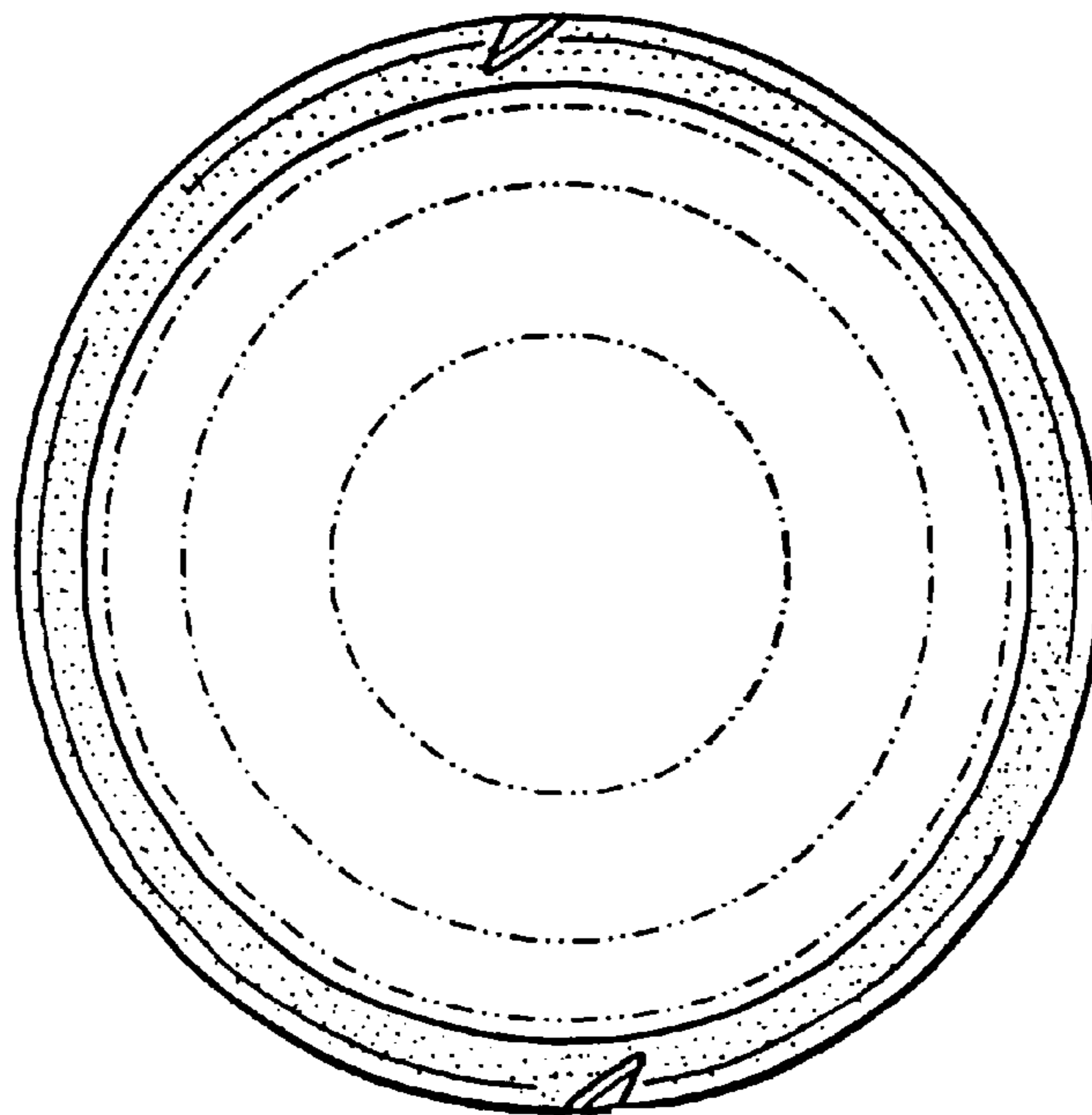


FIG. 7