

US D515,429 S

Page 2

U.S. PATENT DOCUMENTS

5,791,473 A	8/1998	Decker et al.		D419,442 S	*	1/2000	McClung et al.	D9/425
5,794,814 A	8/1998	Baerenwald		6,015,061 A		1/2000	Lowry	
5,806,710 A	9/1998	Shiffer et al.		6,119,890 A		9/2000	Kawamata	
D399,428 S	* 10/1998	Ramsey	D9/538	D431,458 S		10/2000	Bried et al.	
D400,787 S	11/1998	Keener		6,158,607 A		12/2000	Wallberg	
5,833,088 A	11/1998	Kladders et al.		6,164,484 A		12/2000	Fiore et al.	
5,894,952 A	4/1999	Mendenhall et al.		D476,233 S		6/2003	Versace	
5,894,953 A	4/1999	Ramirez		D495,597 S	*	9/2004	Rubalcava et al.	D9/425
5,960,985 A	10/1999	Barrett						

* cited by examiner

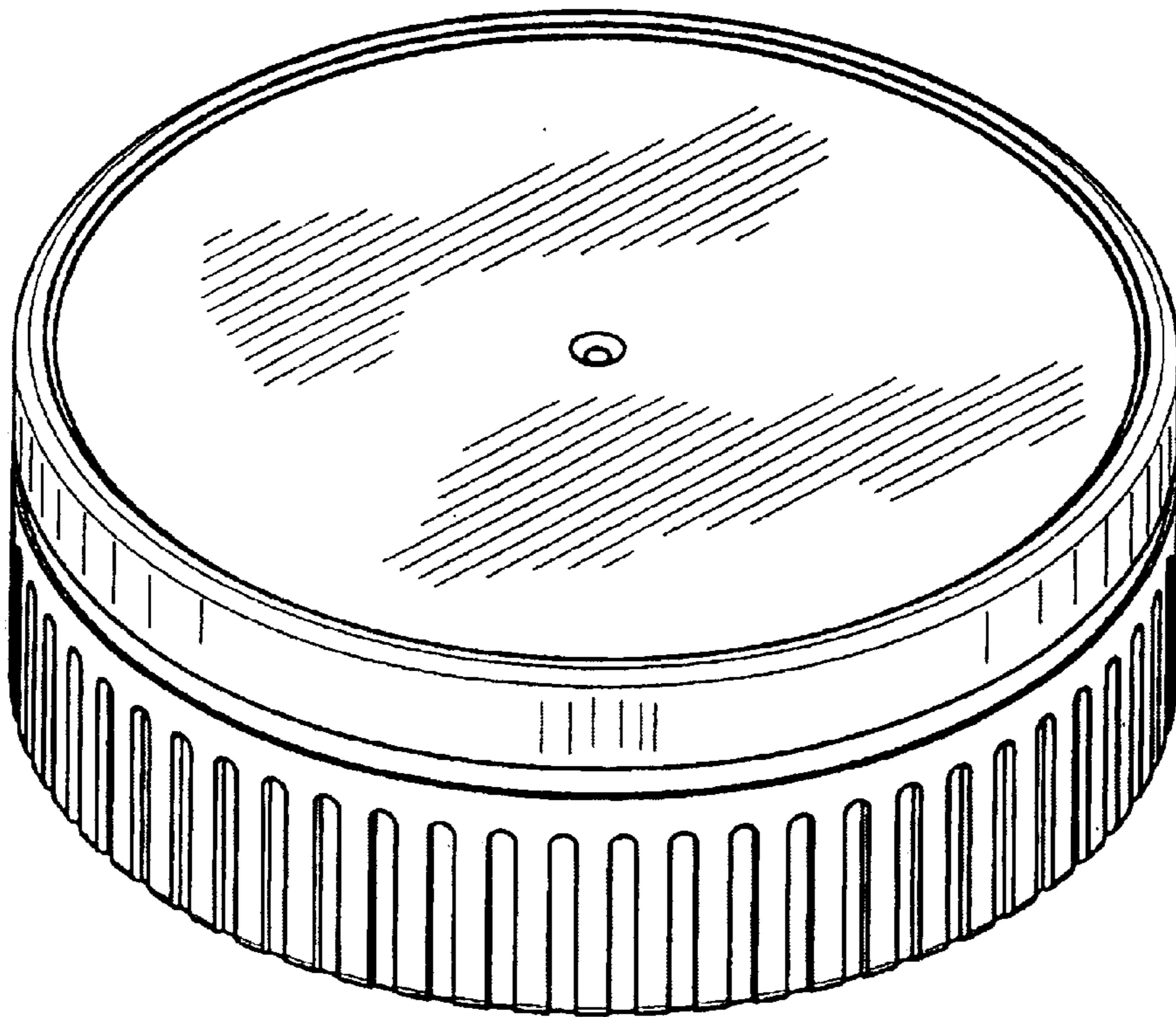


FIG. 1

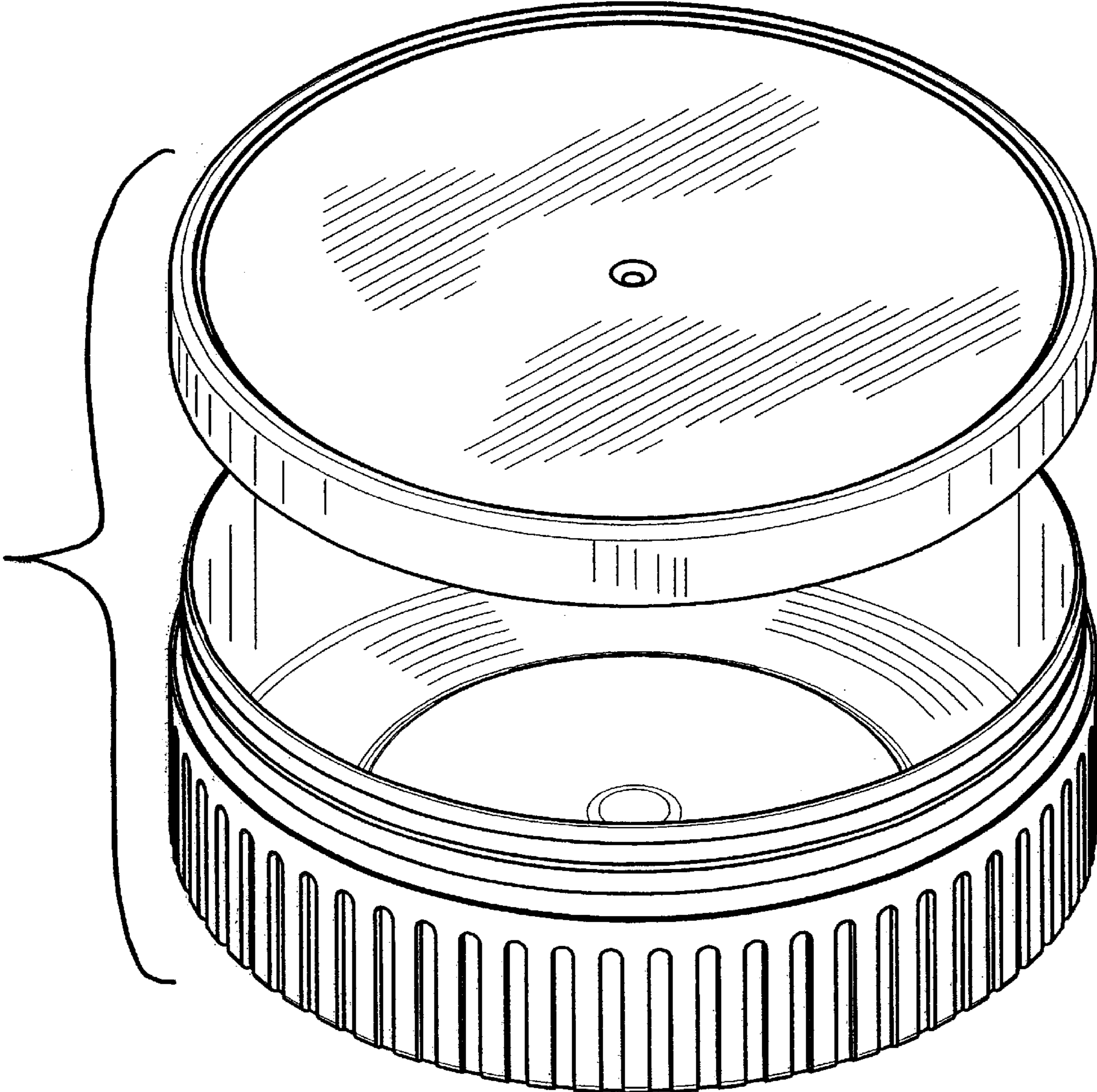


FIG. 2

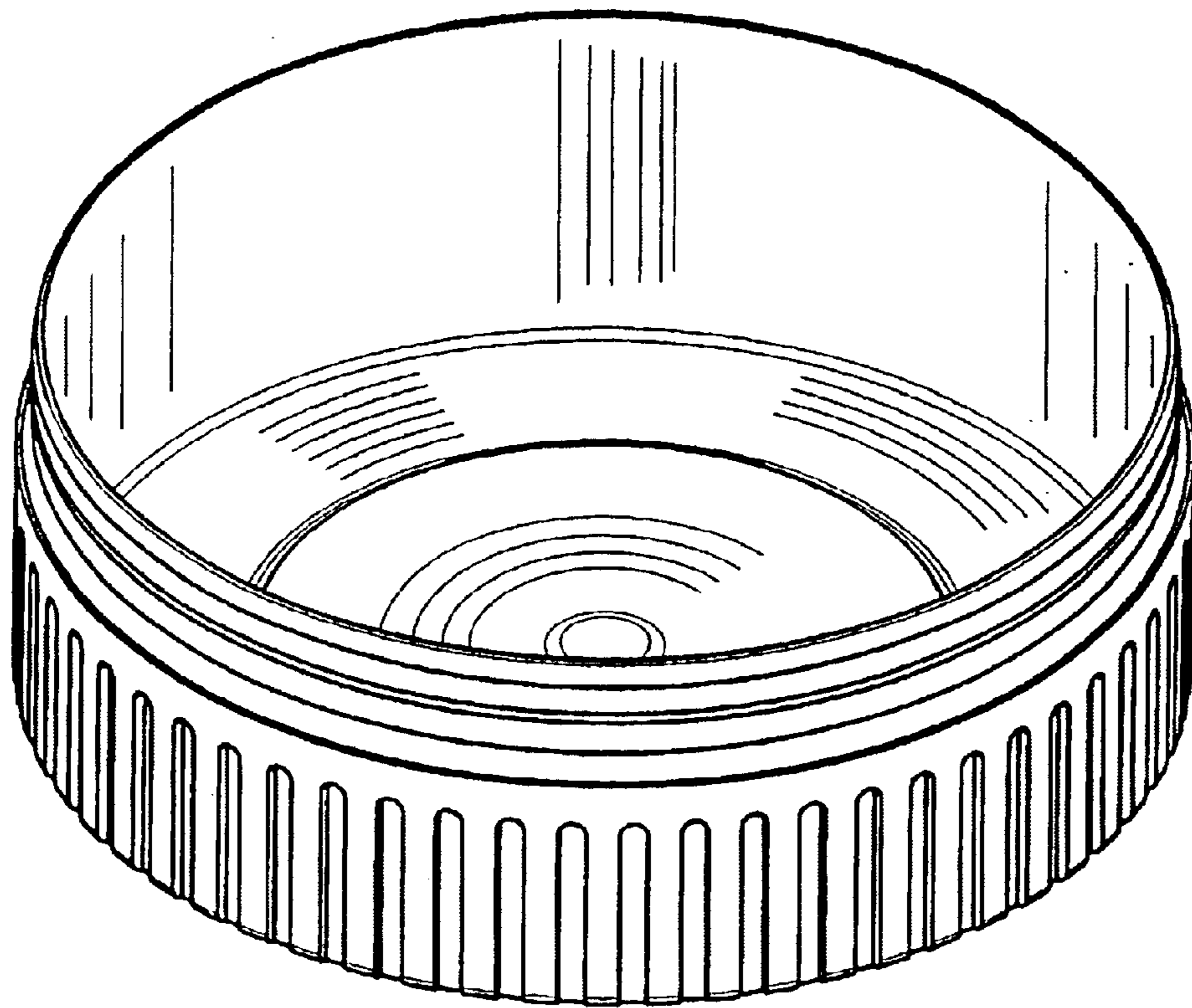


FIG. 3

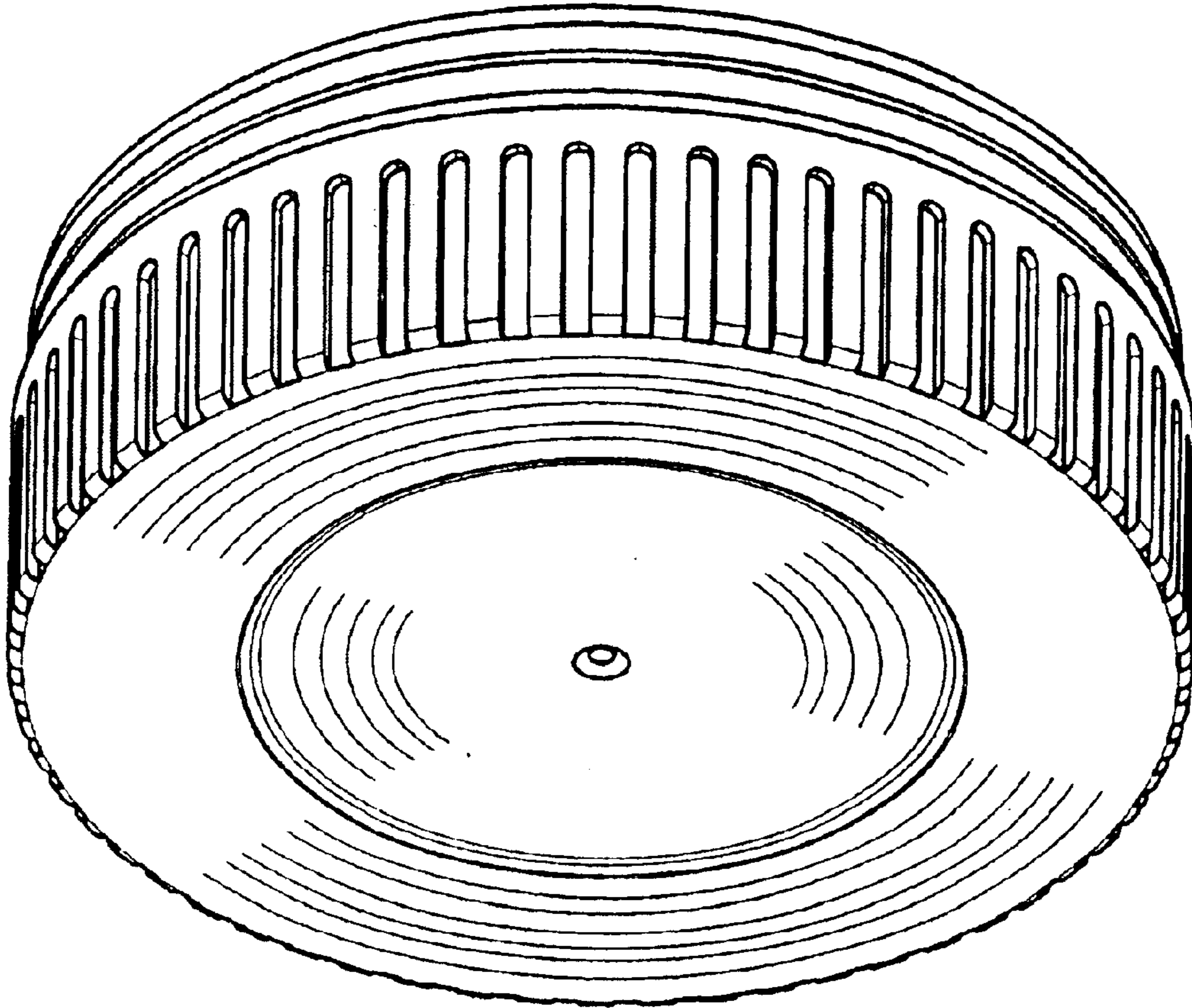


FIG. 4

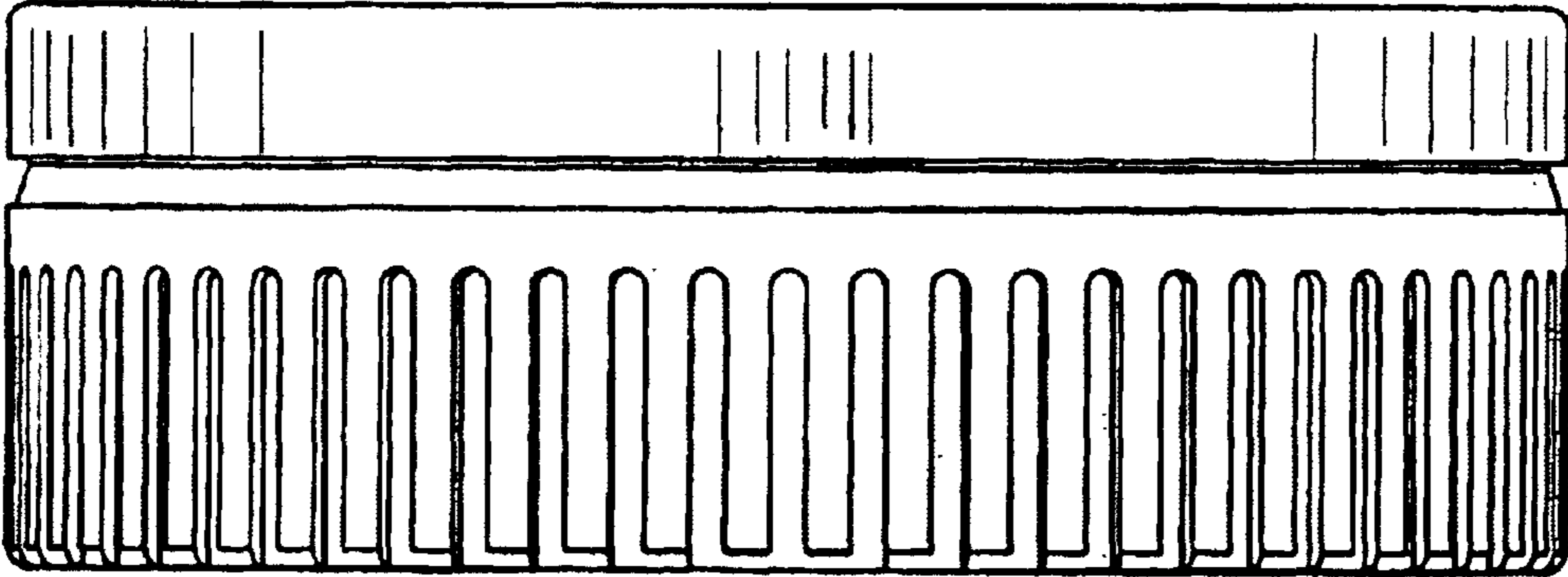


FIG. 5

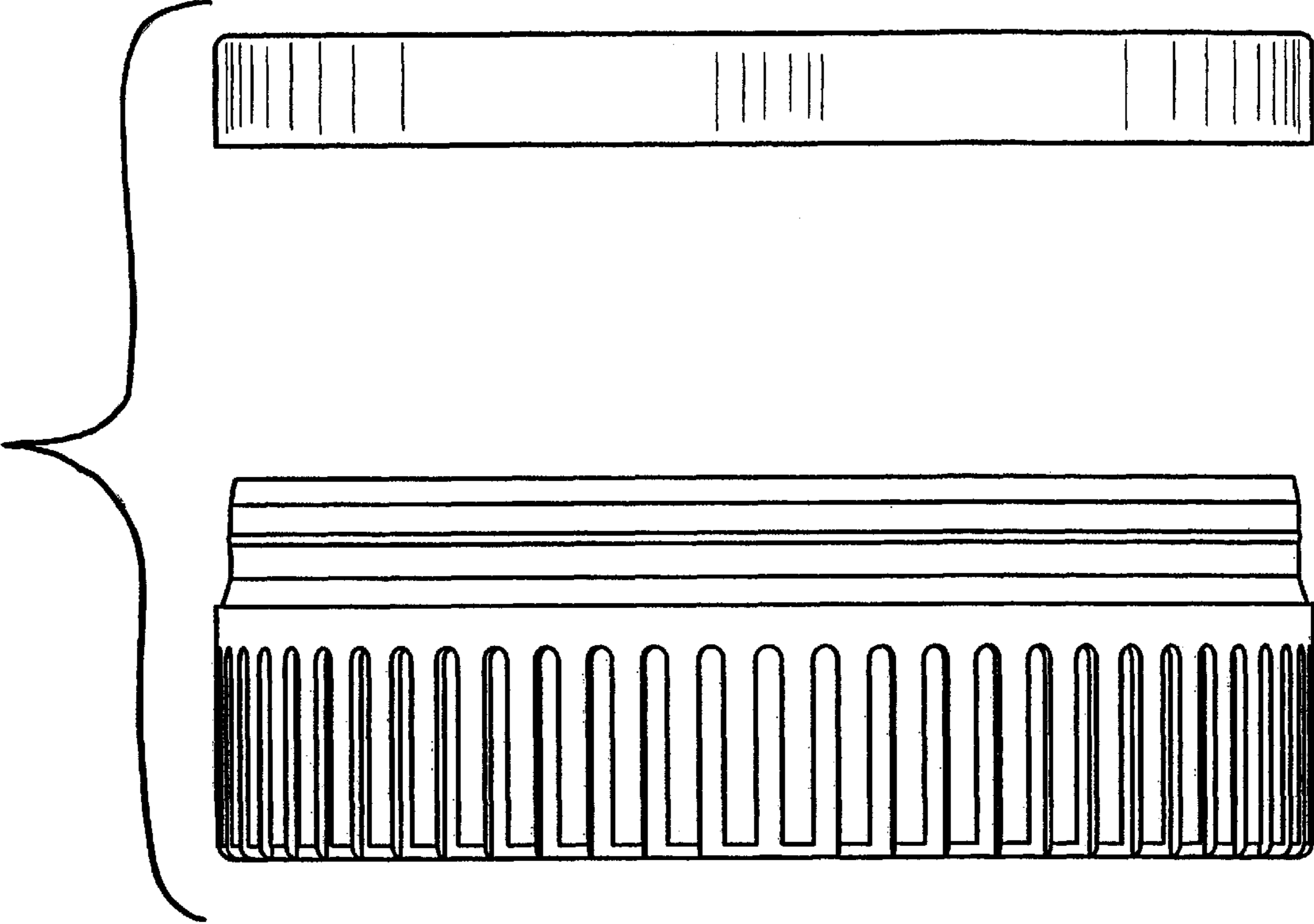


FIG. 6

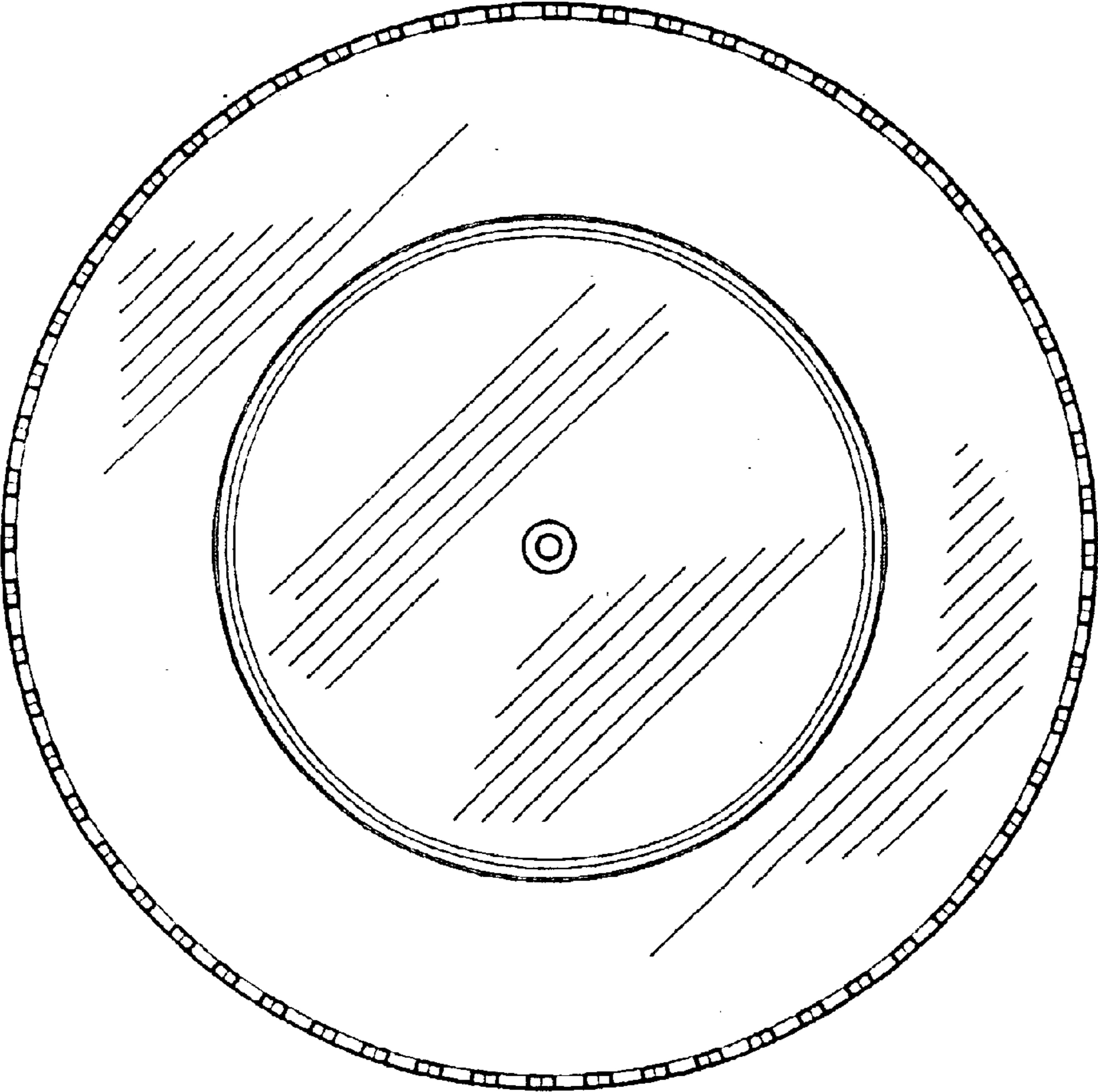


FIG. 7