



US00D515428S

(12) **United States Design Patent** (10) **Patent No.:** **US D515,428 S**
Abadinsky (45) **Date of Patent:** **** Feb. 21, 2006**

(54) **BOTTLE**
 (75) Inventor: **Donna Abadinsky**, Chicago, IL (US)
 (73) Assignee: **MSRF, Inc.**, Chicago, IL (US)
 (**) Term: **14 Years**
 (21) Appl. No.: **29/234,764**
 (22) Filed: **Jul. 22, 2005**
 (51) **LOC (8) Cl.** **09-01**
 (52) **U.S. Cl.** **D9/522; D9/526**
 (58) **Field of Classification Search** D9/500,
 D9/502-505, 510-514, 516, 522-523, 530,
 D9/526, 539, 541-549, 560, 562, 572-575,
 D9/652, 682, 684, 689, 692-693, 744-746;
 215/381-385, 396, 398, 400
 See application file for complete search history.

D366,618 S 1/1996 Brillet et al.
 D366,619 S 1/1996 Holdbrook
 D368,312 S * 3/1996 Cockram D24/197
 D388,709 S 1/1998 Weiss
 D395,240 S 6/1998 Dinand
 5,924,583 A 7/1999 Stevens et al.
 D425,796 S 5/2000 Duranthon
 D432,407 S 10/2000 Lee
 D448,998 S 10/2001 Farris
 D450,573 S 11/2001 Mansau
 D450,892 S * 11/2001 Garcia-Lucio et al. D30/124
 D464,434 S 10/2002 Morano
 D469,017 S 1/2003 Mauro
 D473,313 S 4/2003 Diak/Ghanem
 6,551,639 B1 4/2003 Nye et al.
 D476,899 S * 7/2003 Honkawa D9/539
 D478,289 S 8/2003 Dean et al.
 6,631,819 B1 10/2003 Diak/Ghanem
 6,672,249 B2 * 1/2004 Garcia-Lucio et al. 119/72
 D498,676 S * 11/2004 Crawford D9/522
 2002/0104820 A1 8/2002 Hong et al.

(56) **References Cited**

U.S. PATENT DOCUMENTS

D36,395 S * 6/1903 Farnan D9/500
 D46,640 S * 11/1914 Kohn D9/523
 D112,696 S * 12/1938 Havekost D9/526
 D129,631 S * 9/1941 Bowers D7/591
 D169,642 S * 5/1953 Clair D9/526
 D171,010 S * 12/1953 Rioux D9/643
 D180,715 S * 7/1957 Henry et al. D9/526 X
 D190,396 S * 5/1961 Robinson D9/419
 D191,072 S * 8/1961 Eicholtz D9/526
 D220,748 S * 5/1971 Gould D9/526
 D256,666 S 9/1980 Sarda
 D280,601 S 9/1985 Biesecker
 D297,310 S 8/1988 Mednis
 D299,428 S 1/1989 Wilfond
 D312,570 S 12/1990 Lunderman
 D319,699 S * 9/1991 Dunning D24/115
 5,088,642 A 2/1992 Farber

* cited by examiner

Primary Examiner—Carol Rademaker
 (74) *Attorney, Agent, or Firm*—Seyfarth Shaw LLP

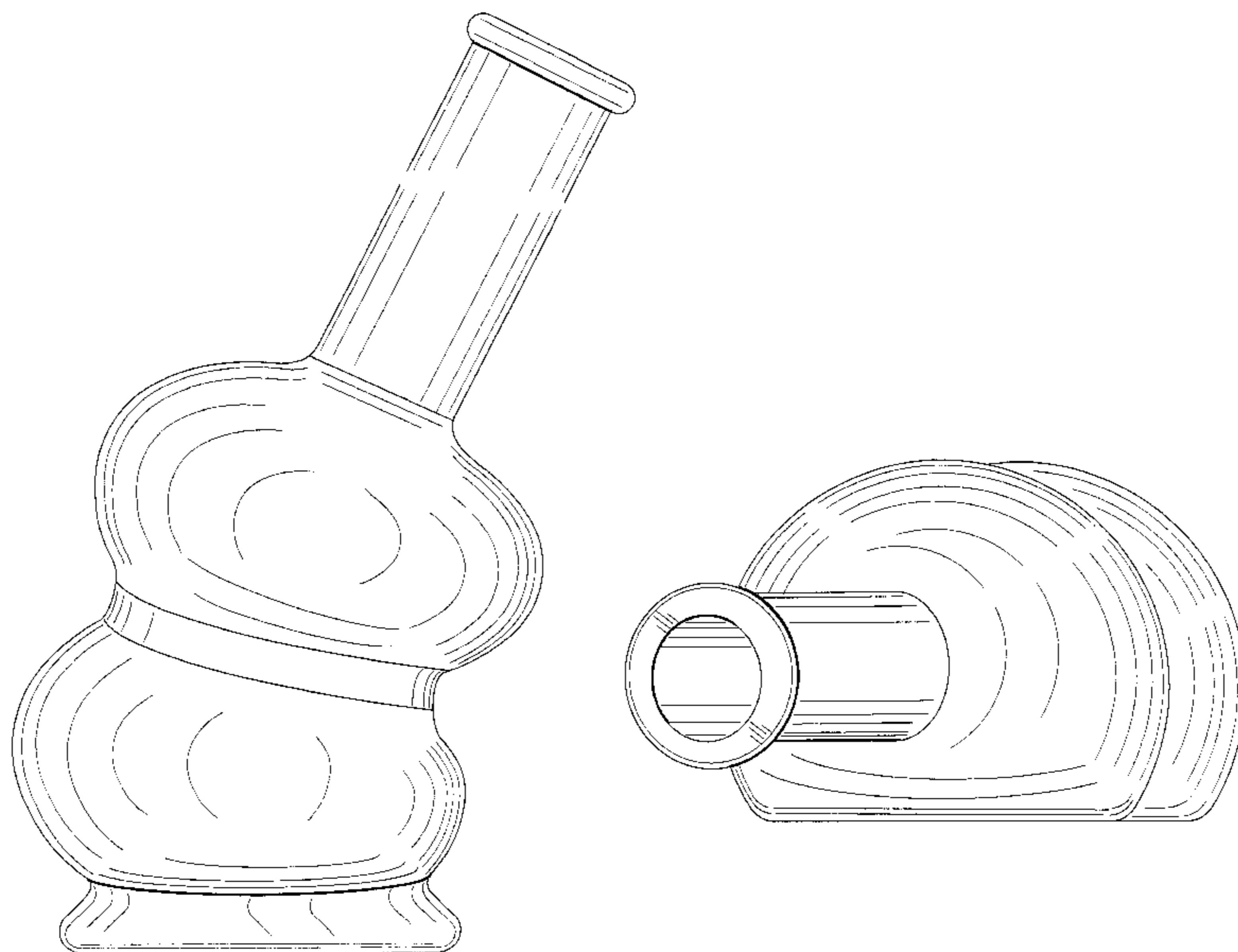
(57) **CLAIM**

The ornamental design for a bottle, as shown and described.

DESCRIPTION

FIG. 1 is a perspective view of the bottle showing my new design;
 FIG. 2 is a right side view thereof;
 FIG. 3 is a left side view thereof;
 FIG. 4 is a front view thereof;
 FIG. 5 is a rear view thereof;
 FIG. 6 is a top view thereof; and,
 FIG. 7 is a bottom view thereof.

1 Claim, 6 Drawing Sheets



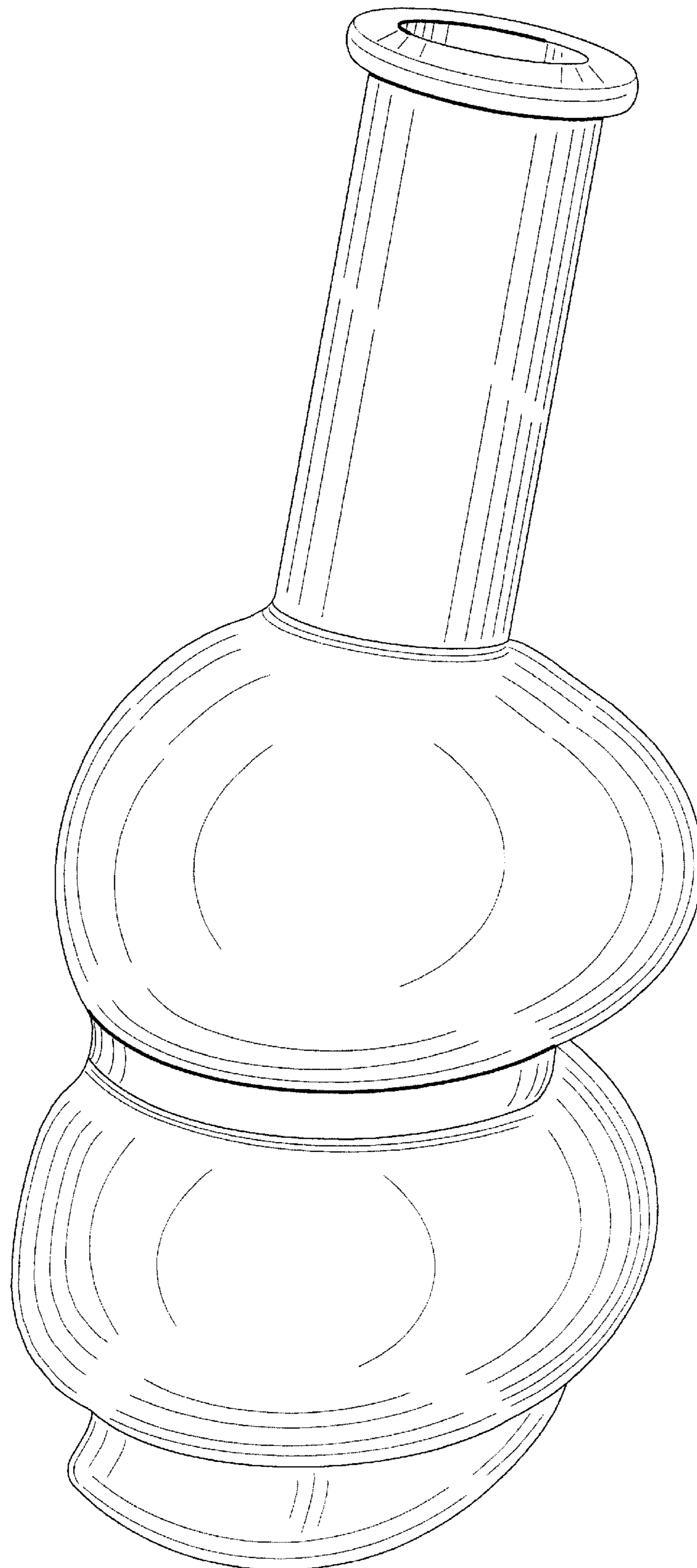
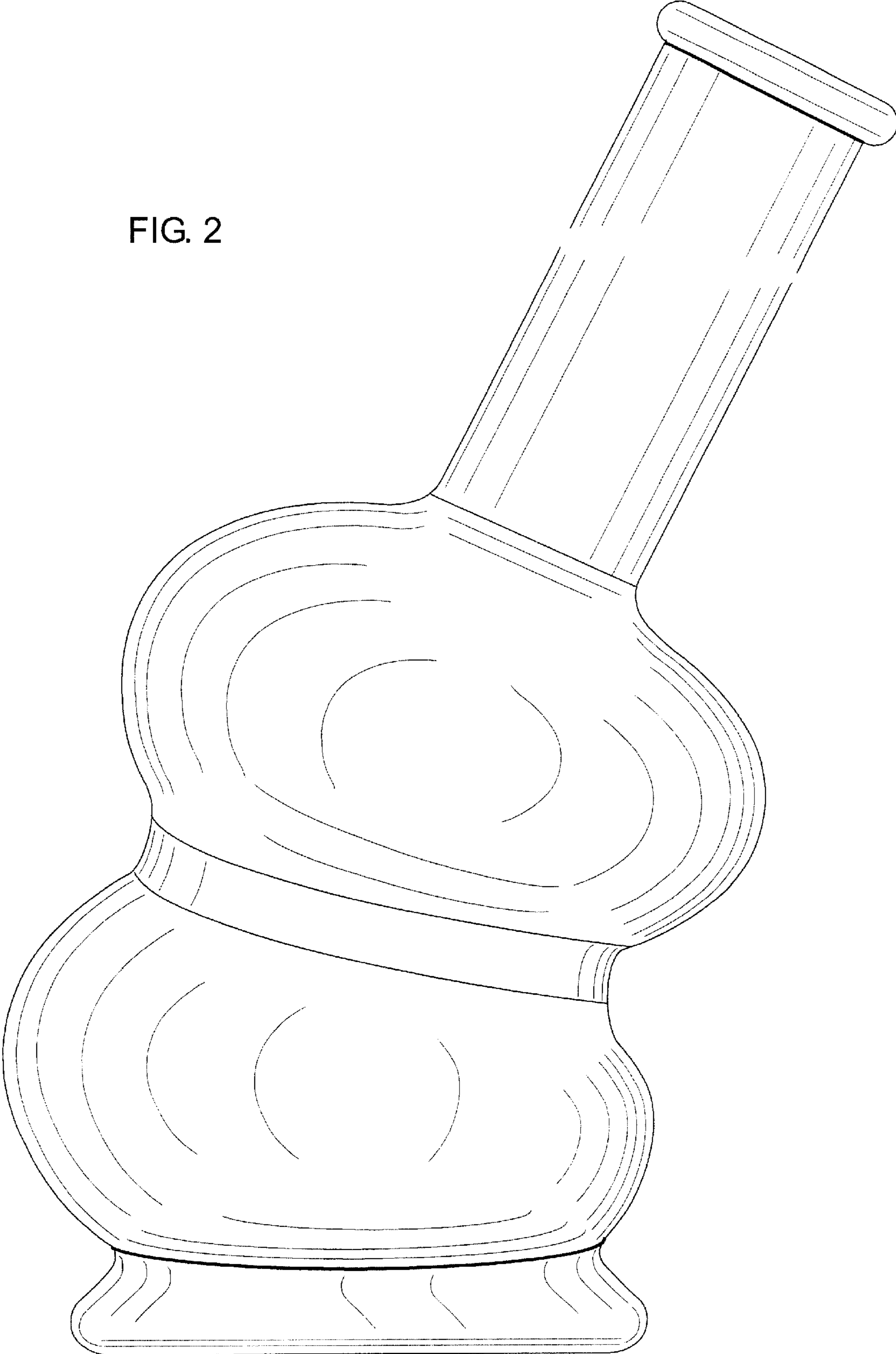


Fig. 1

FIG. 2



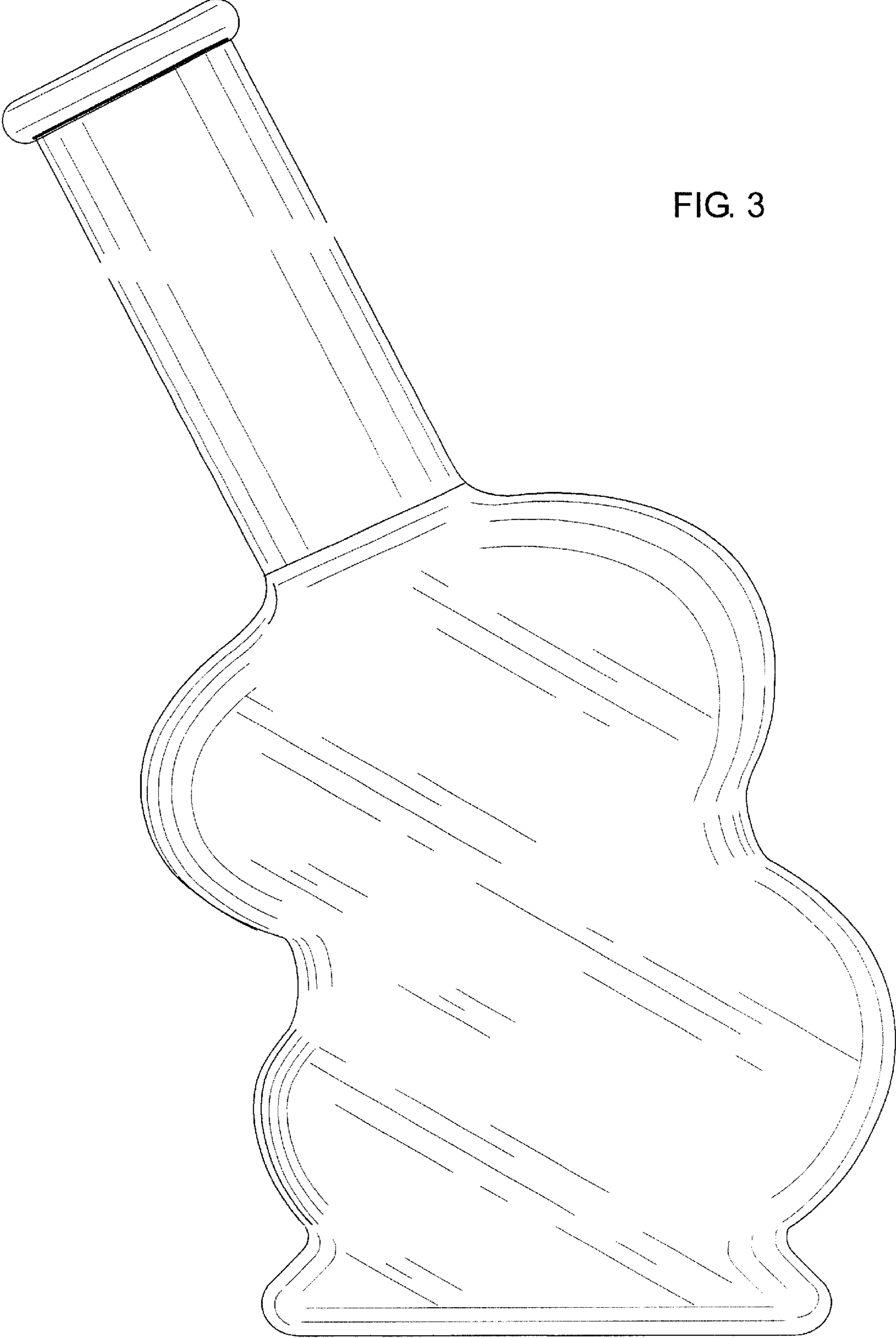


FIG. 3

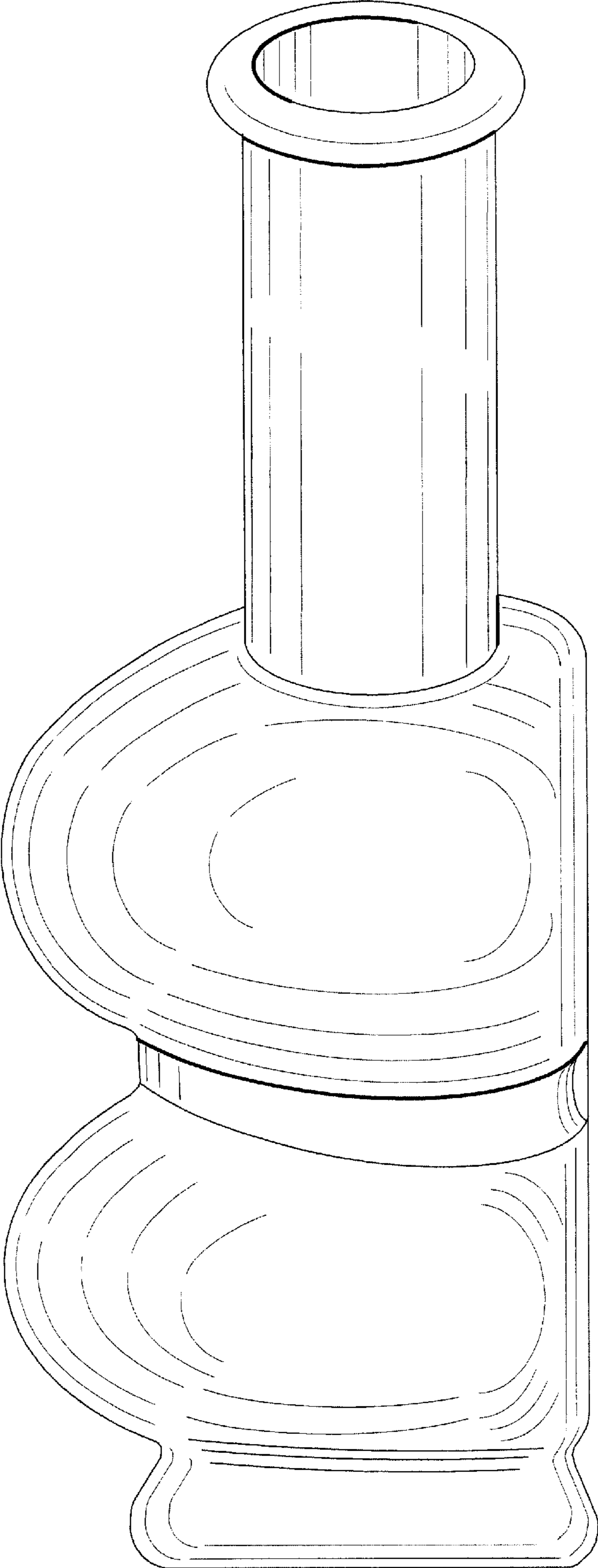


FIG. 4

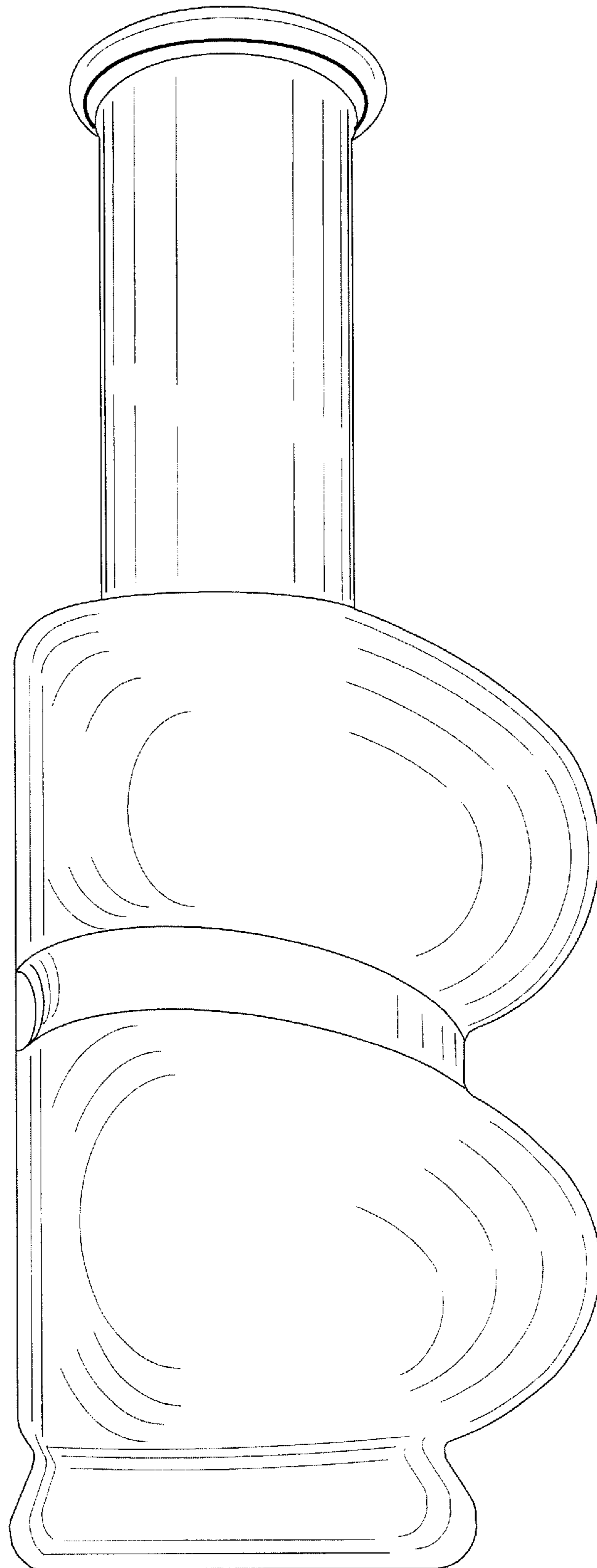


FIG. 5

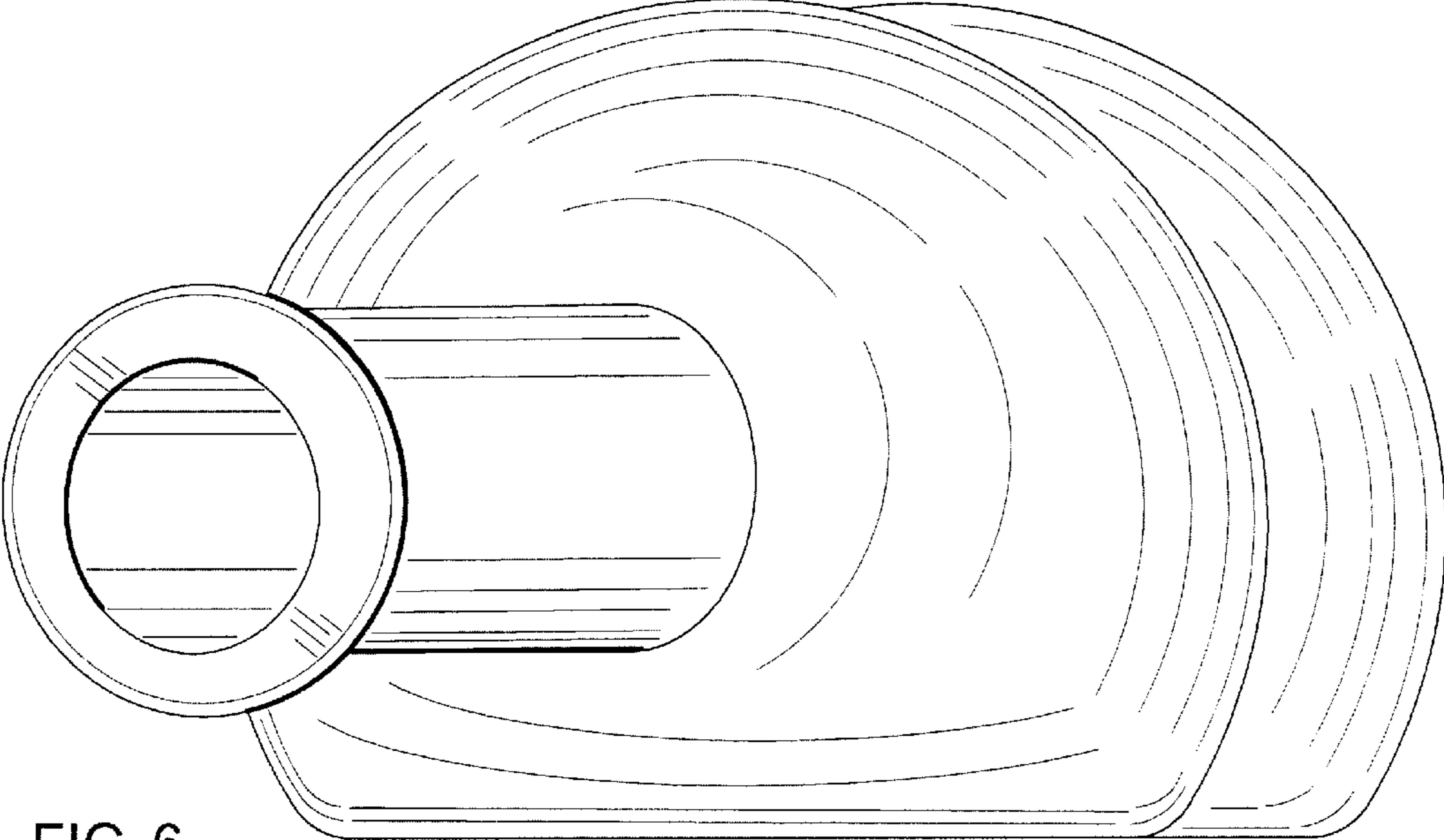


FIG. 6

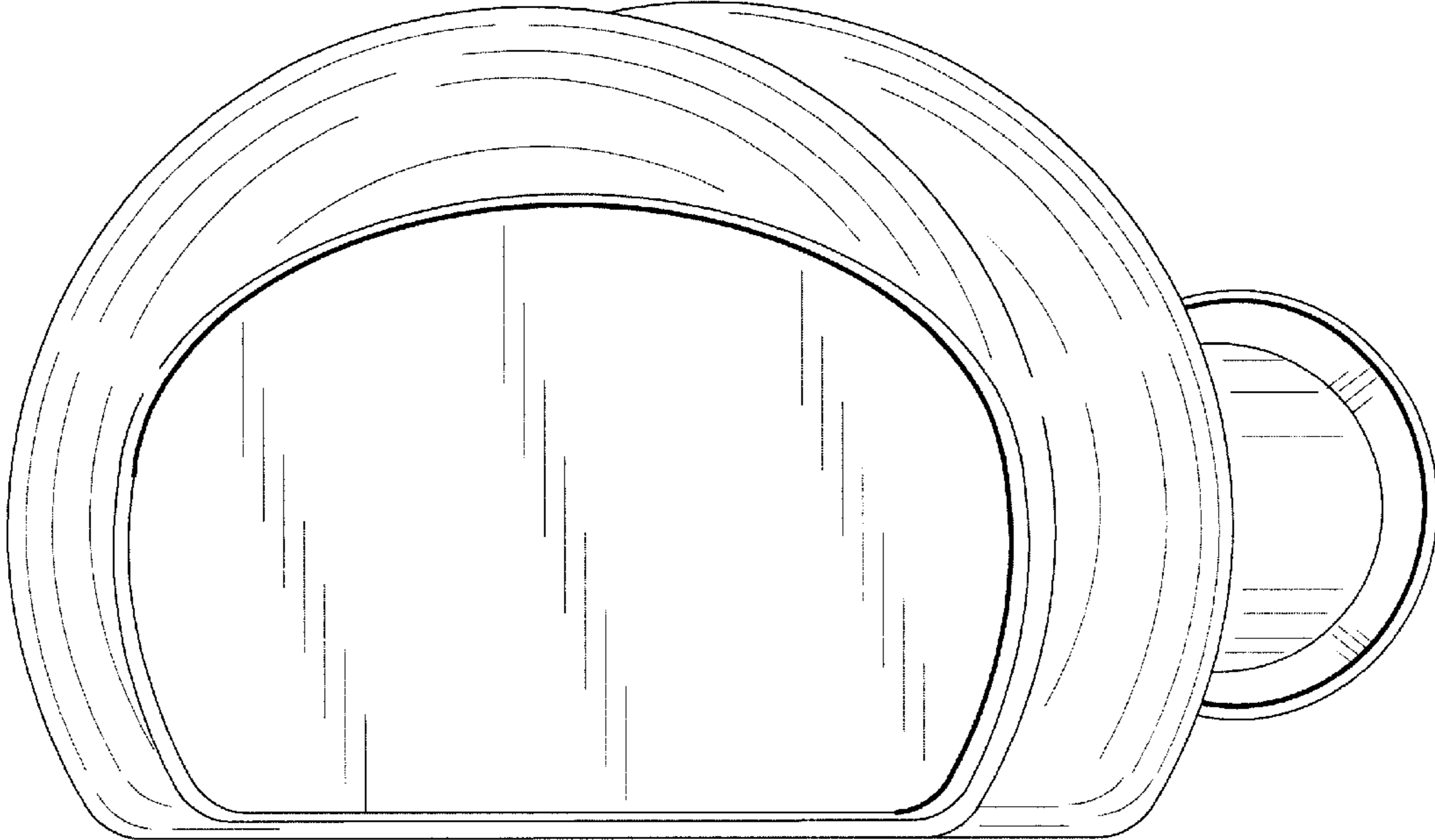


FIG. 7