



US00D515426S

(12) **United States Design Patent**
Pace et al.

(10) **Patent No.: US D515,426 S**
(45) **Date of Patent: ** Feb. 21, 2006**

- (54) **CONTAINER WITH LID**
- (75) Inventors: **Gregory A. Pace**, Nunnely, TN (US);
Charles H. Keltz, Joliet, IL (US)
- (73) Assignee: **U.S. Smokeless Tobacco Company**,
Greenwich, CT (US)
- (**) Term: **14 Years**
- (21) Appl. No.: **29/222,497**
- (22) Filed: **Jan. 31, 2005**
- (51) **LOC (8) Cl. 09-03**
- (52) **U.S. Cl. D9/504**
- (58) **Field of Classification Search** D9/503,
D9/504, 529, 537, 539, 549, 558, 563, 428,
D9/435, 454, 719; 15/244.1; 132/298; D28/77,
D28/82, 91; D27/190; 220/4.27, 212, 281,
220/284, 780-796; 215/317; 206/1.5, 229,
206/525, 823

- D184,789 S 3/1959 Zehntner et al.
- 2,878,848 A 3/1959 Coltman, Jr.
- 3,122,990 A 3/1964 Fried
- 3,206,016 A 9/1965 Fowle et al.
- 4,098,421 A 7/1978 Foster
- 4,124,135 A 11/1978 Weder et al.
- 4,165,815 A * 8/1979 Vetter 220/4.27
- 4,190,170 A 2/1980 Boyd
- D273,766 S 5/1984 Lampe
- D281,764 S 12/1985 Legrottaglie
- 4,646,933 A 3/1987 Jurczenia et al.

(Continued)

Primary Examiner—Nanda Bondade
Assistant Examiner—Shanda C. Hill
 (74) *Attorney, Agent, or Firm*—Fitch, Even, Tabin &
 Flannery

(57) **CLAIM**

The ornamental design for a container with lid, as shown and described.

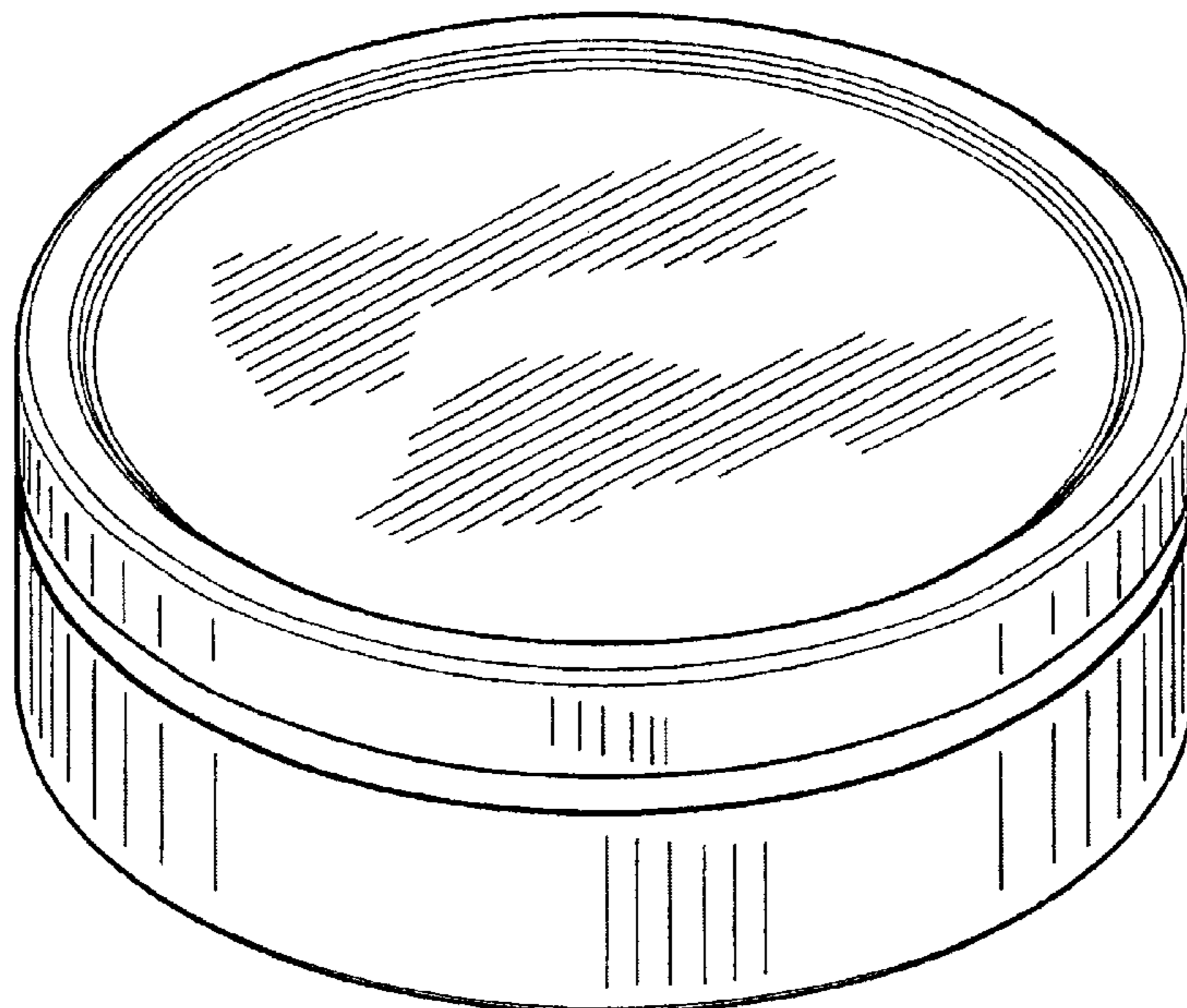
DESCRIPTION

FIG. 1 is a perspective view of a container with lid showing our new design;
 FIG. 2 is an exploded perspective view thereof;
 FIG. 3 is another exploded perspective view thereof;
 FIG. 4 is a bottom perspective view thereof;
 FIG. 5 is a front elevational view thereof, the rear, left and right views being identical thereto;
 FIG. 6 is an exploded front elevational view thereof, the rear, left and right views being identical thereto; and,
 FIG. 7 is a top plan view thereof.

1 Claim, 7 Drawing Sheets

(56) **References Cited**
 U.S. PATENT DOCUMENTS

- 216,831 A 6/1879 Collings
- 411,773 A 10/1889 Atkinson
- D28,413 S 3/1898 Taite
- 660,739 A 10/1900 Taylor
- 663,415 A 12/1900 Charles
- 1,214,899 A 2/1917 Curran
- 1,616,381 A * 2/1927 MacDougall 132/298
- 1,975,703 A 10/1934 Vitale
- 2,047,951 A 7/1936 Eberhart
- 2,493,086 A 1/1950 Reifsnyder
- 2,789,607 A 4/1957 Tupper



US D515,426 S

Page 2

U.S. PATENT DOCUMENTS

D291,971 S	9/1987	Smith	D400,787 S	11/1998	Keener
4,765,501 A	8/1988	Kao	5,833,088 A	11/1998	Kladders et al.
D303,584 S	9/1989	Bakic	D403,470 S	* 12/1998	Litton et al. D28/82
4,866,952 A	9/1989	Hight et al.	5,894,952 A	4/1999	Mendenhall et al.
5,246,133 A	9/1993	James	5,894,953 A	4/1999	Ramirez
D352,896 S	* 11/1994	Jones D9/428	5,960,985 A	10/1999	Barrett
5,377,860 A	1/1995	Littlejohn et al.	6,015,061 A	1/2000	Lowry
5,427,266 A	6/1995	Yun	H1855 H	* 8/2000	Litton et al. D28/82
5,632,971 A	5/1997	Yang	6,119,890 A	9/2000	Kawamata
5,660,303 A	8/1997	Hirose	D431,458 S	10/2000	Bried et al.
5,752,599 A	5/1998	Veltman	6,158,607 A	12/2000	Wallberg
5,769,267 A	6/1998	Duynslager et al.	6,164,484 A	12/2000	Fiore et al.
5,791,473 A	8/1998	Decker et al.	D476,233 S	6/2003	Versace
5,794,814 A	8/1998	Baerenwald	D494,474 S	* 8/2004	Houk et al. D9/504
5,806,710 A	9/1998	Shiffer et al.	D498,678 S	* 11/2004	Ames D9/529

* cited by examiner

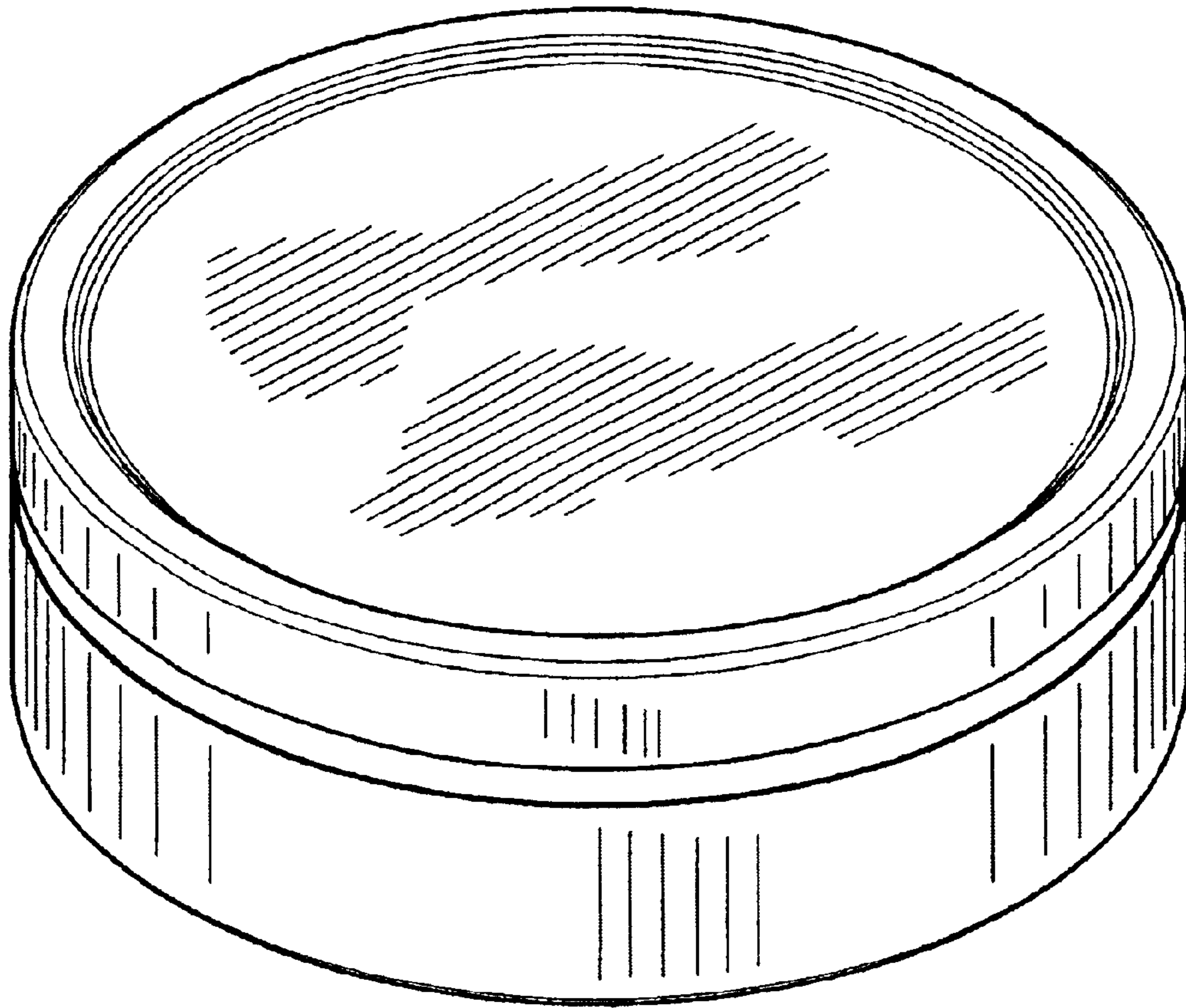


FIG. 1

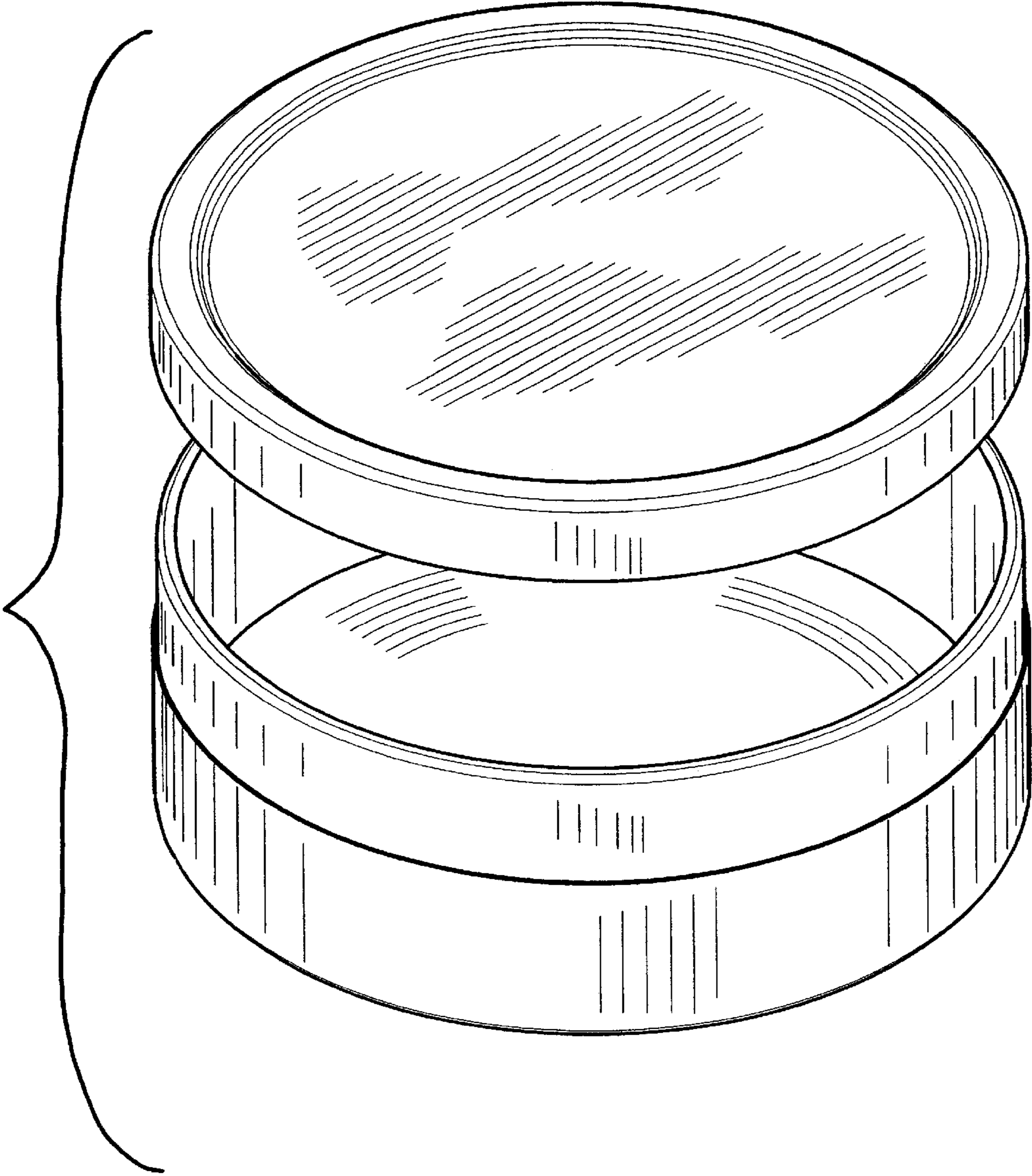


FIG. 2

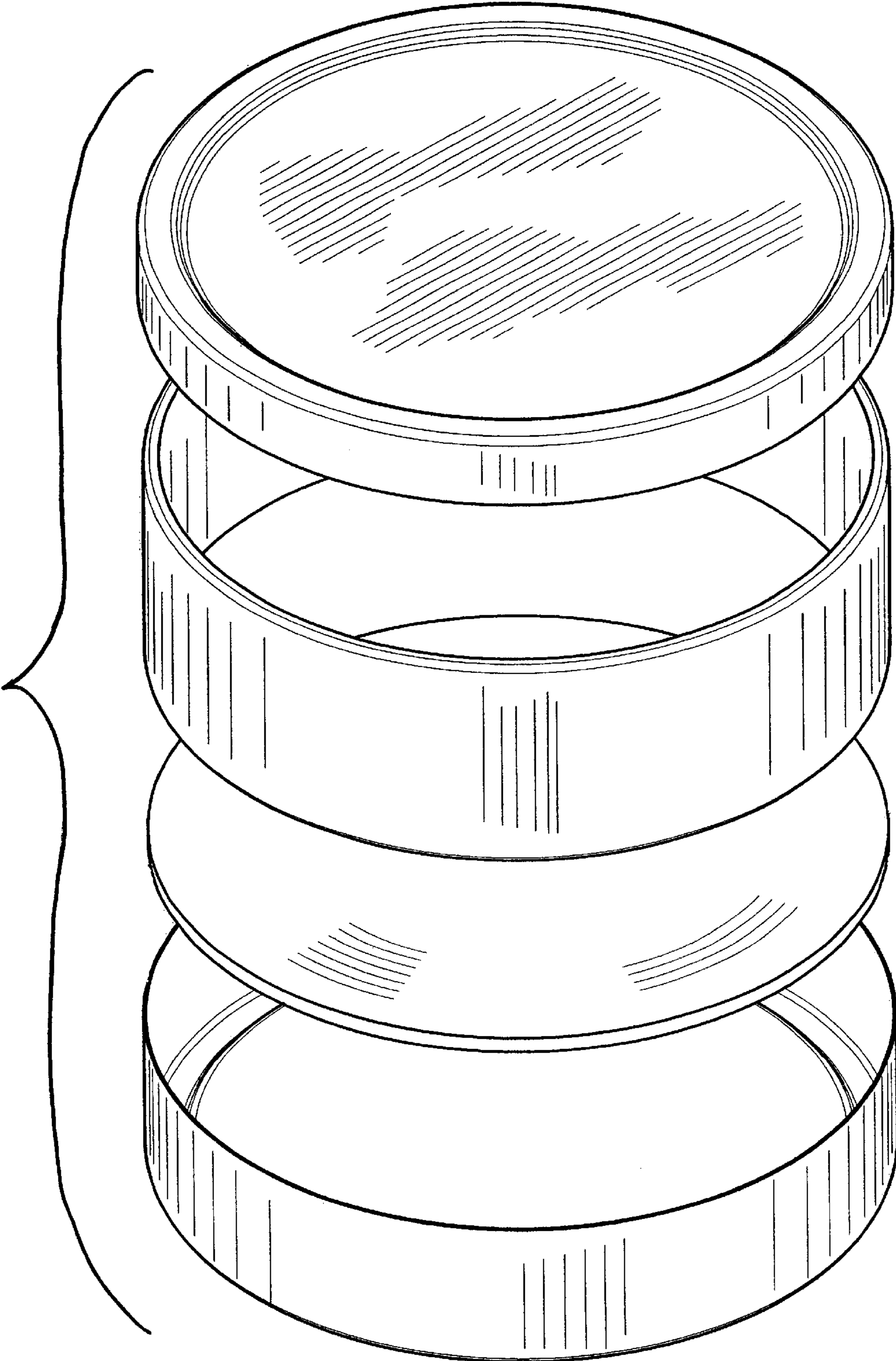


FIG. 3

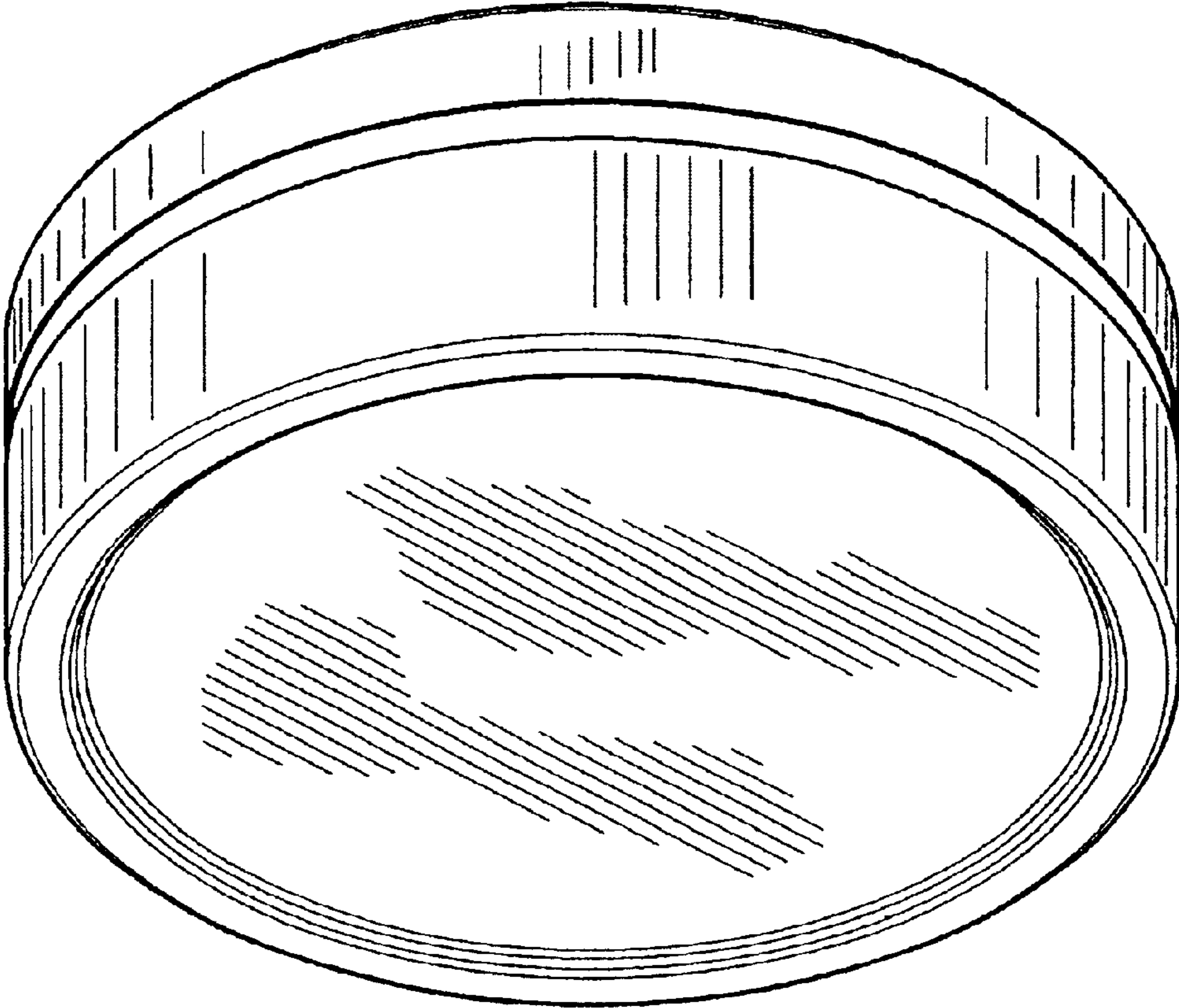


FIG. 4

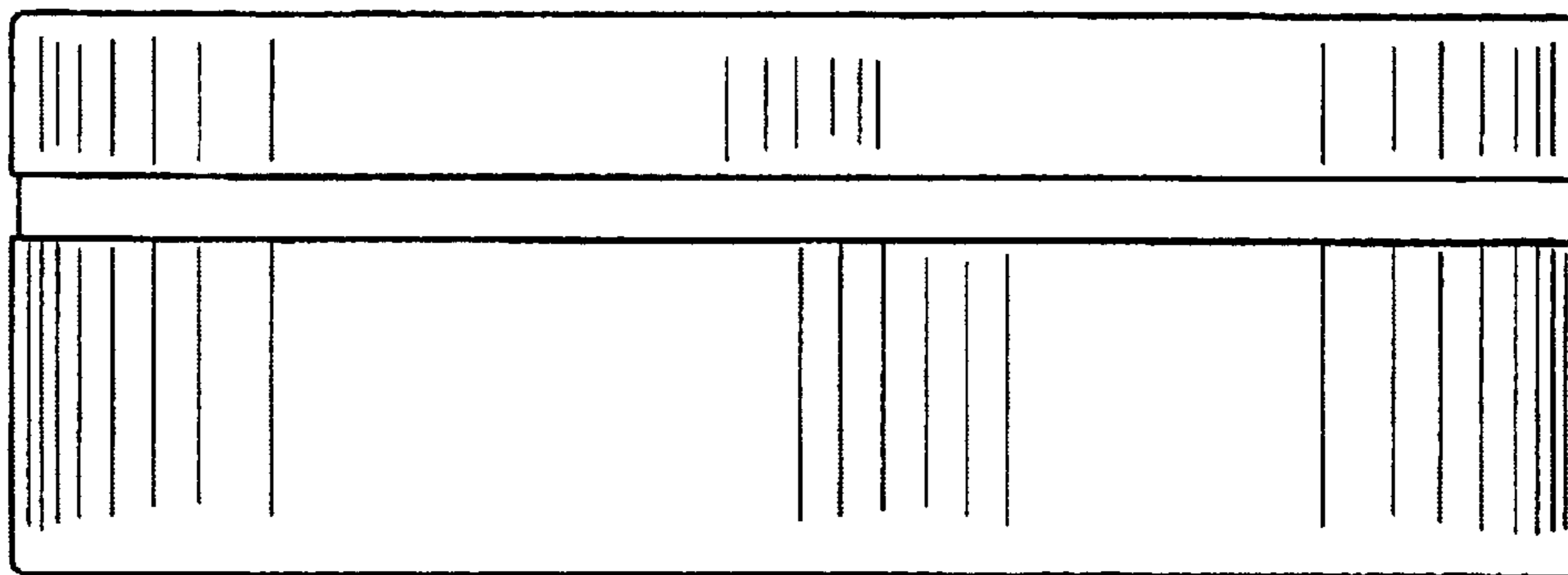


FIG. 5

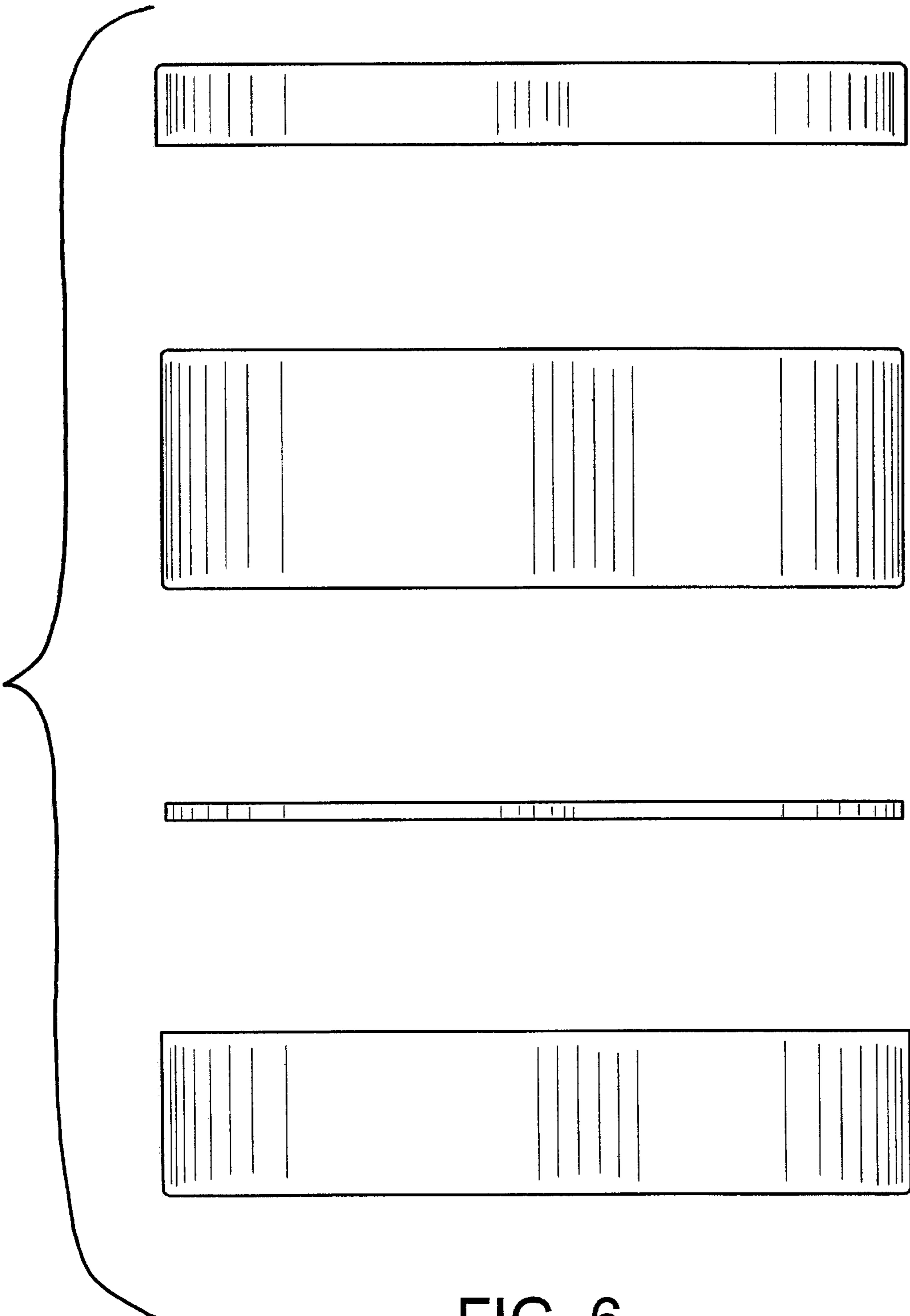


FIG. 6

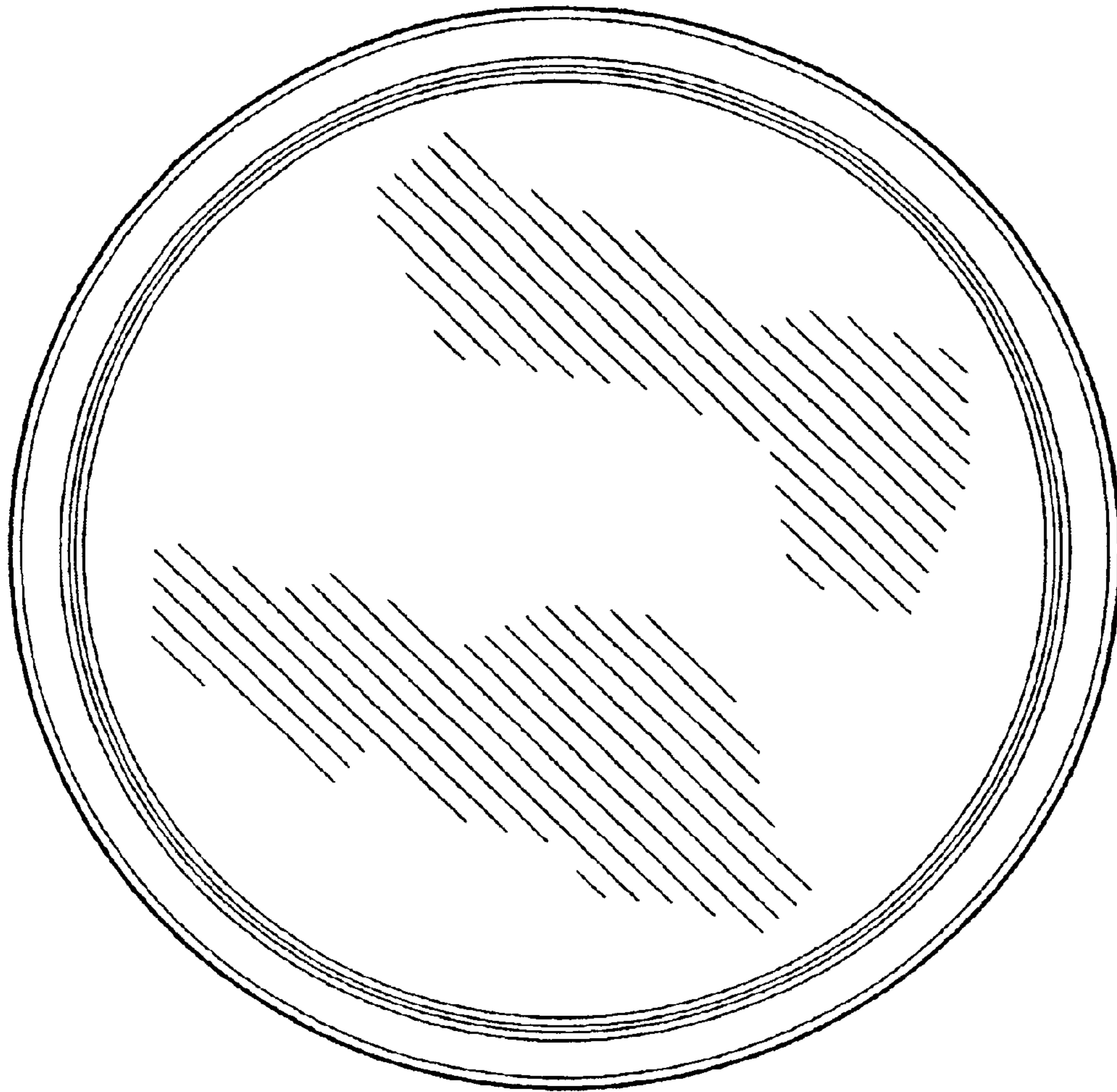


FIG. 7