



US00D515421S

(12) **United States Design Patent**
Rossignol

(10) **Patent No.: US D515,421 S**
(45) **Date of Patent: ** Feb. 21, 2006**

(54) **LOTION DISPENSER**
(75) **Inventor: Eric Rossignol, Chalon sur Saone (FR)**
(73) **Assignee: Rexam Dispensing SMT (FR)**
(**) **Term: 14 Years**

D420,288 S 2/2000 Garcia
D422,902 S * 4/2000 Kikuchi D9/689
D427,899 S * 7/2000 Bougamont et al. D9/688
D429,642 S 8/2000 Garcia
D437,556 S * 2/2001 Holliday et al. D9/447
D439,842 S 4/2001 Garcia
D440,150 S * 4/2001 Tsai D9/689

(21) **Appl. No.: 29/199,240**
(22) **Filed: Feb. 11, 2004**
(30) **Foreign Application Priority Data**
Aug. 11, 2003 (EM) 000063441-0003
(51) **LOC (8) Cl. 09-07**
(52) **U.S. Cl. D9/448**
(58) **Field of Classification Search** 220/915,
220/212; D9/690, 691, 447-449, 434, 435,
D9/445, 454, 689, 688; 222/402.1, 402.13,
222/402.14, 546, 553, 153.1, 153.11
See application file for complete search history.

FOREIGN PATENT DOCUMENTS

DE DM/064869 * 12/2003

OTHER PUBLICATIONS

Daniel Hangard, Dessins Et Modeles. 3 pages, 2000—
French Design Registration Document.

* cited by examiner

Primary Examiner—Robert M. Spear
Assistant Examiner—Susan Bennett Hattan
(74) *Attorney, Agent, or Firm*—St. Onge Steward Johnston
& Reens LLC

(56) **References Cited**

U.S. PATENT DOCUMENTS

D182,444 S 4/1958 Sinclair et al.
D339,527 S 9/1993 Tobler
5,505,341 A 4/1996 Gueret
D376,103 S * 12/1996 Knickerbocker D9/448
5,617,976 A 4/1997 Gueret
D389,060 S * 1/1998 de Laforcade D9/448
5,772,079 A 6/1998 Gueret
D398,232 S 9/1998 Bakie
D401,150 S * 11/1998 de Laforcade D9/448
D406,761 S 3/1999 Garcia

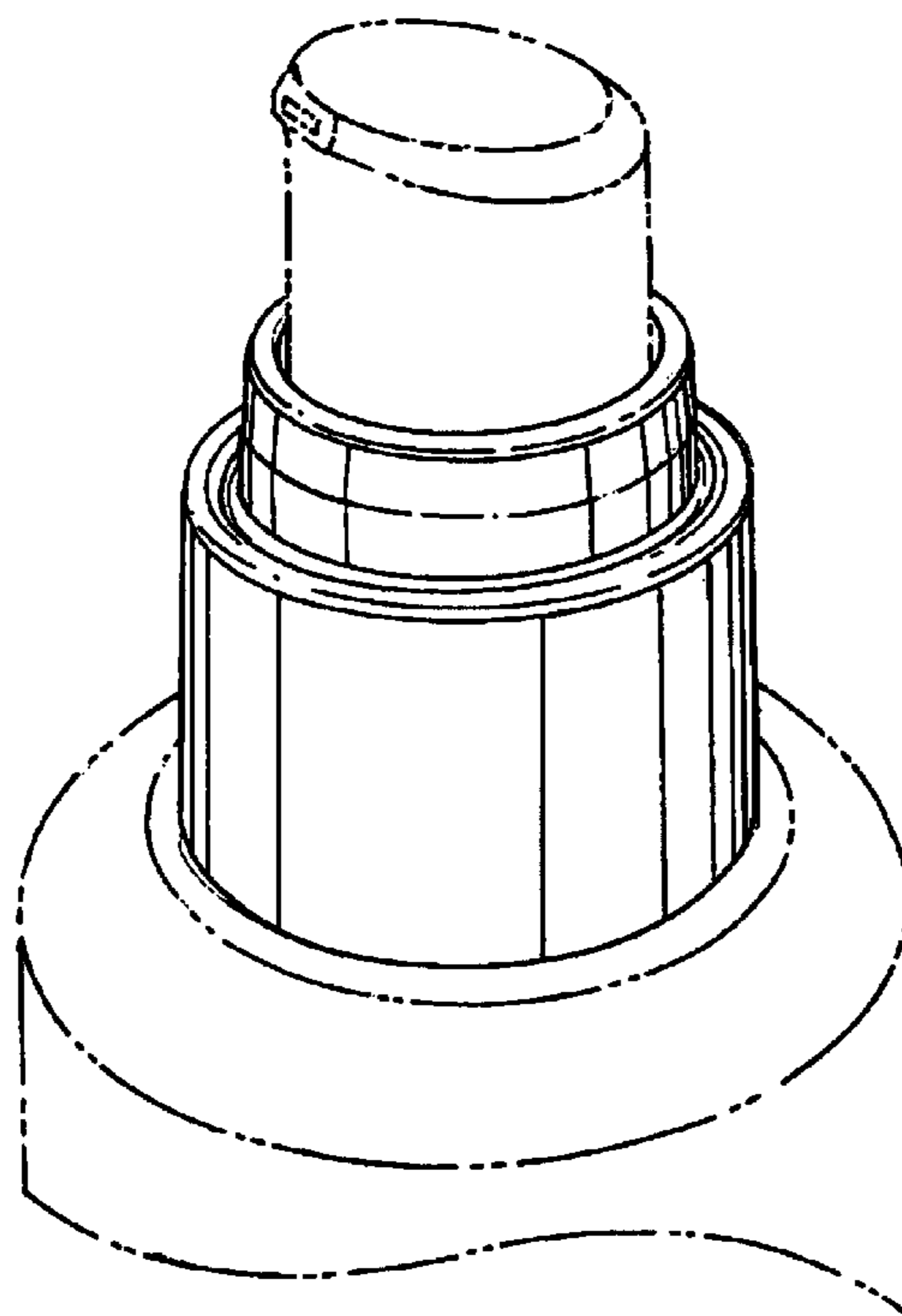
(57) **CLAIM**

The ornamental design for a lotion dispenser, as shown and
described.

DESCRIPTION

FIG. 1 is a side perspective view of a lotion dispenser in
accordance with the new design;
FIG. 2 is a side elevational view thereof;
FIG. 3 is a front elevational view thereof;
FIG. 4 is a rear elevational view thereof; and,
FIG. 5 is a top plan view thereof.

1 Claim, 1 Drawing Sheet



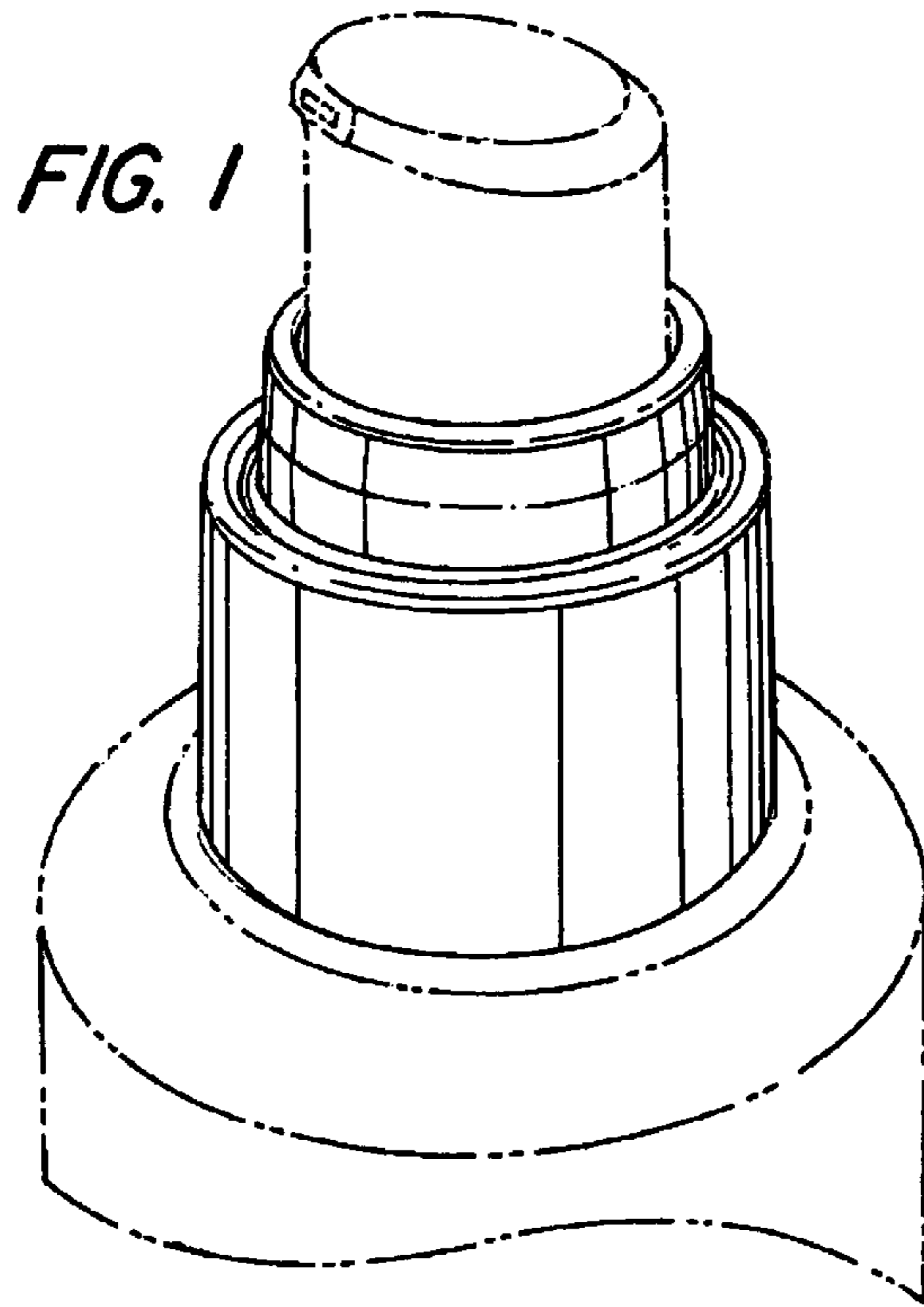


FIG. 4

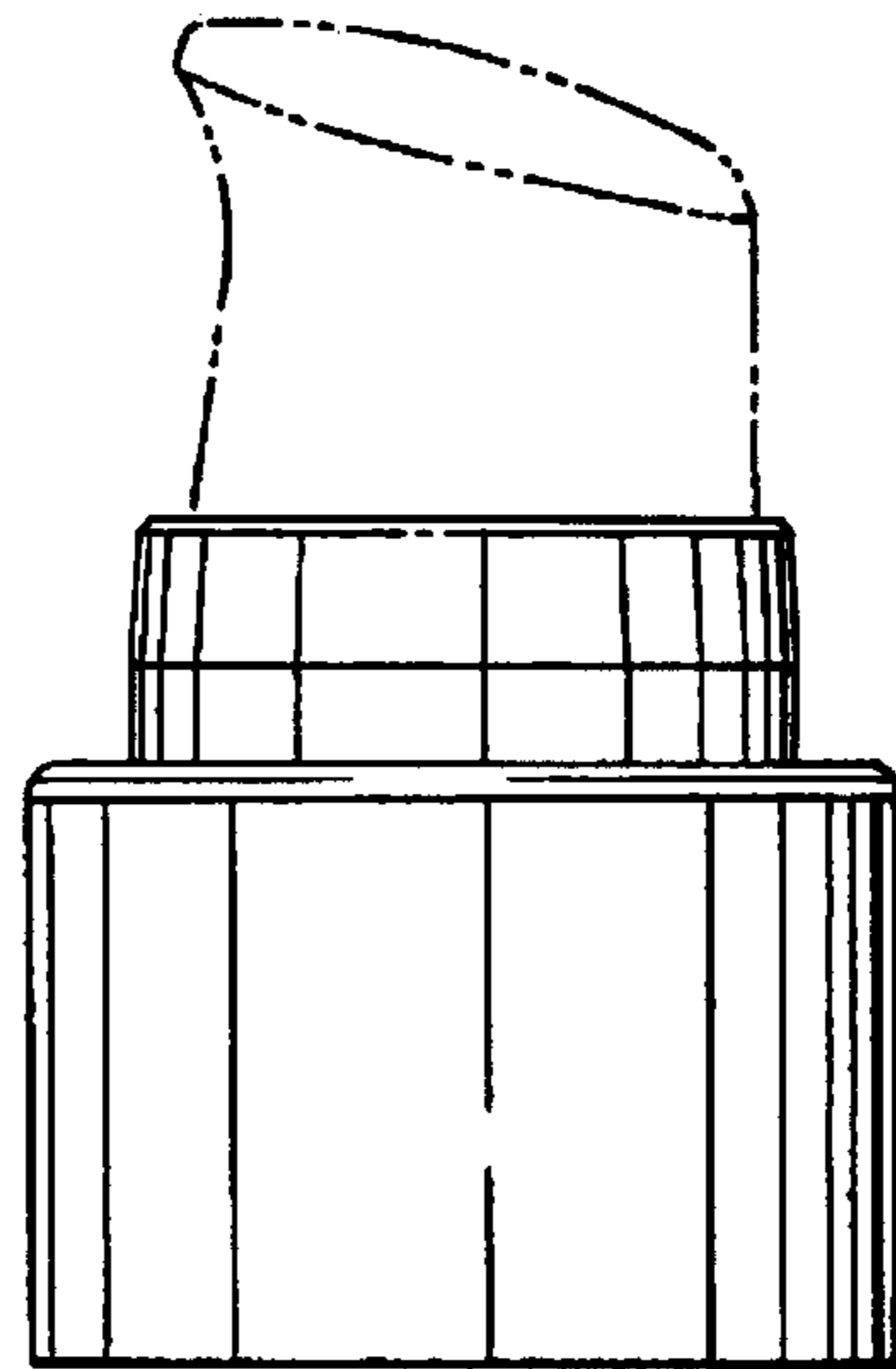
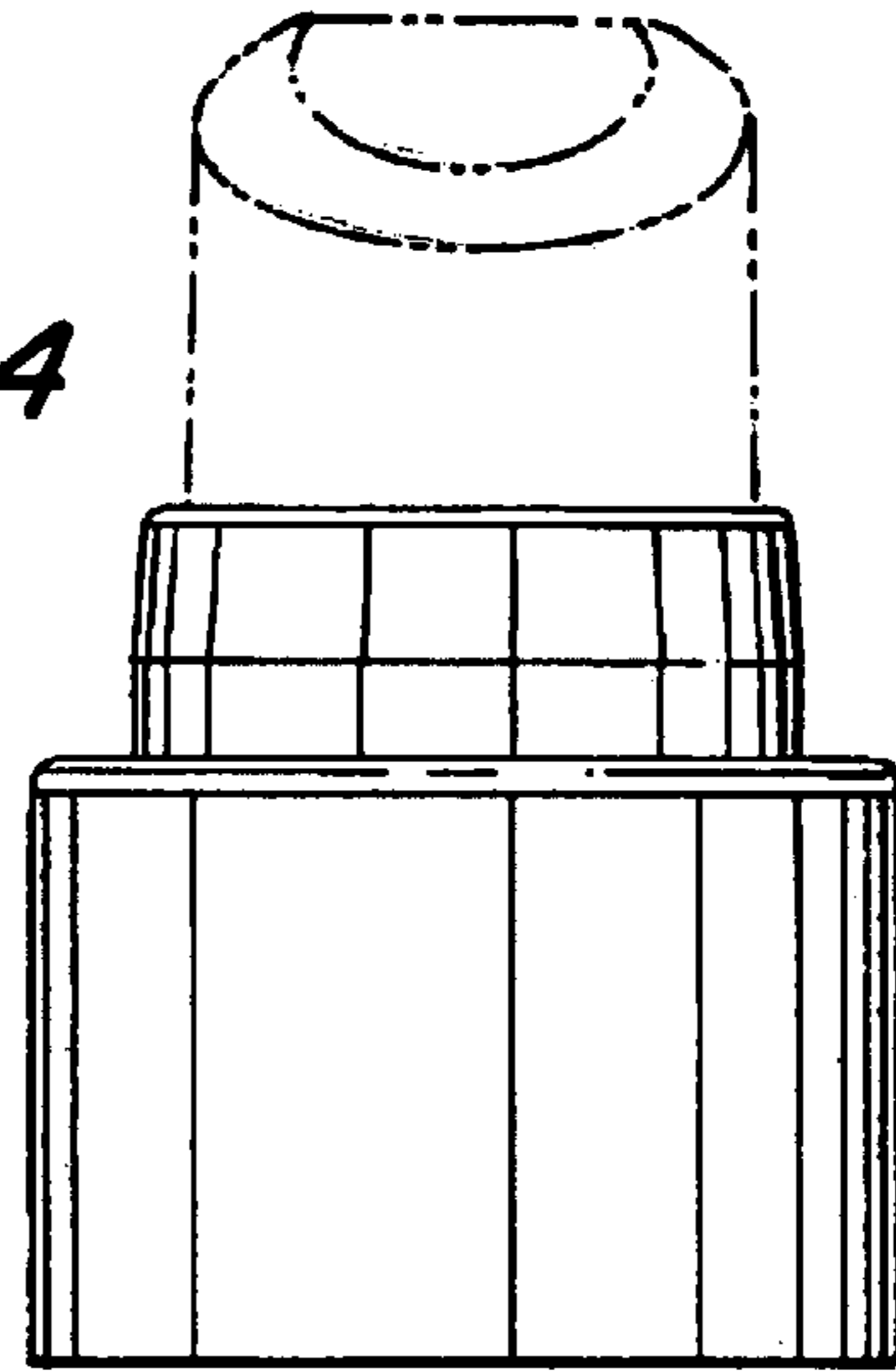


FIG. 2

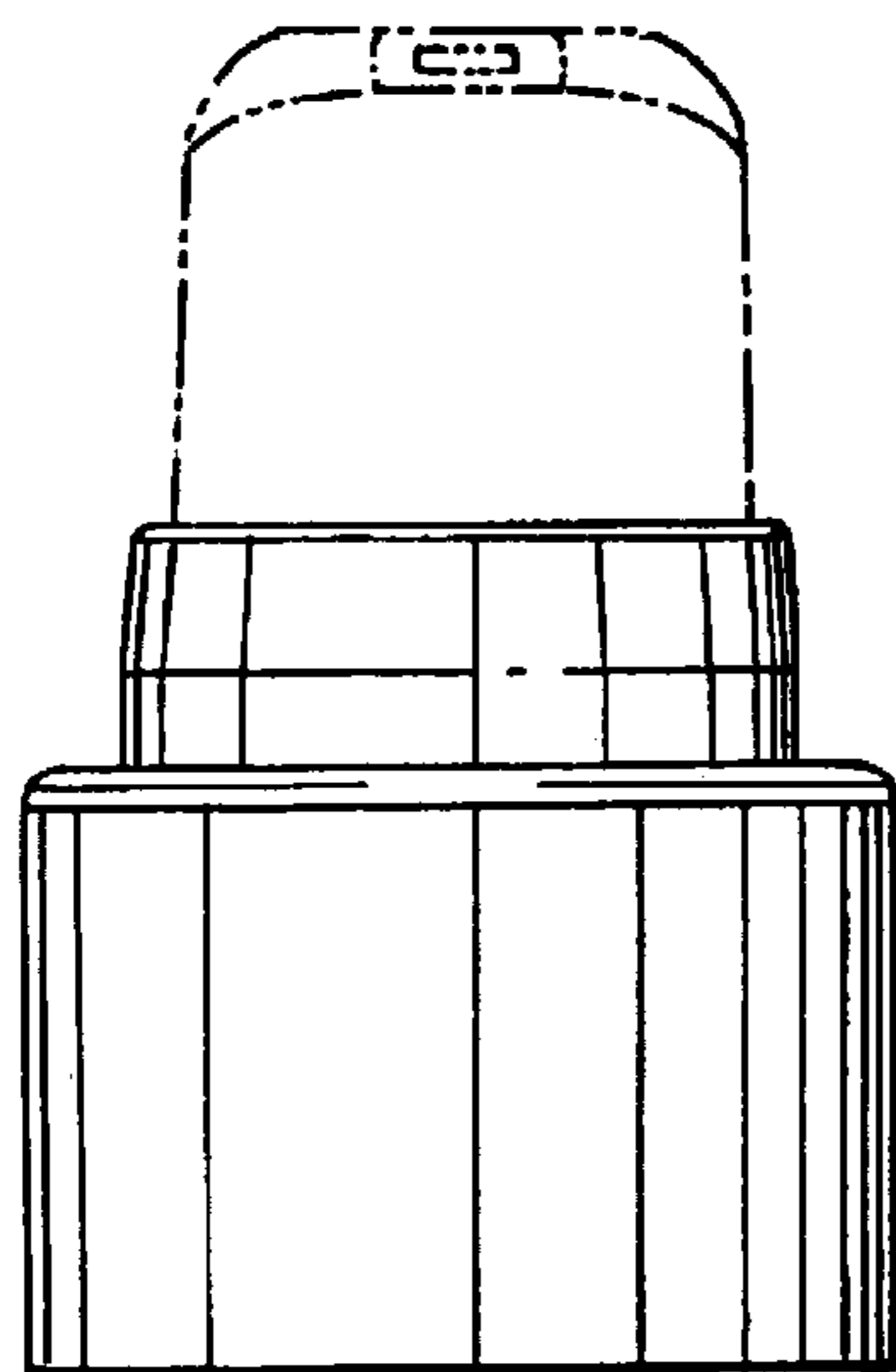


FIG. 3

FIG. 5

