



US00D515420S

(12) **United States Design Patent**  
**Gardet**

(10) **Patent No.:** **US D515,420 S**  
(45) **Date of Patent:** **\*\* Feb. 21, 2006**

(54) **LOTION DISPENSER**

(75) **Inventor:** **Pierre Gardet, Lacrost (FR)**

(73) **Assignee:** **Rexam Dispensing SMT (FR)**

(\*\*) **Term:** **14 Years**

(21) **Appl. No.:** **29/199,239**

(22) **Filed:** **Feb. 11, 2004**

(30) **Foreign Application Priority Data**

Nov. 11, 2003 (EM) ..... 000063441-0005

(51) **LOC (8) Cl.** ..... **09-07**

(52) **U.S. Cl.** ..... **D9/448**

(58) **Field of Classification Search** ..... 220/915,  
220/212; D9/690, 691, 447-449, 434, 435,  
D9/445, 454, 689; 222/402.1, 402.13, 402.14,  
222/546, 553, 153.1, 153.11

See application file for complete search history.

(56) **References Cited**

**U.S. PATENT DOCUMENTS**

D182,444 S	4/1958	Sinclair et al.	
D289,379 S	* 4/1987	DeVaughn	D9/454
D293,214 S	* 12/1987	Crapser	D9/448
D339,527 S	9/1993	Tobler	
D364,566 S	* 11/1995	Douer	D9/447
5,505,341 A	4/1996	Gueret	
5,617,976 A	4/1997	Gueret	
D390,117 S	* 2/1998	Kan et al.	D9/689
5,772,079 A	6/1998	Gueret	
D398,232 S	9/1998	Bakie	
D406,761 S	3/1999	Garcia	
D420,288 S	2/2000	Garcia	

D429,642 S	8/2000	Garcia	
D437,224 S	* 2/2001	Brozell	D9/448
D439,842 S	4/2001	Garcia	
D458,137 S	* 6/2002	Bakie	D9/448
D488,380 S	* 4/2004	Dobbs et al.	D9/448

**OTHER PUBLICATIONS**

Daniel Hangard, Dessins Et Modeles, 3 pages, French design registration document Feb. 4, 2000.

\* cited by examiner

*Primary Examiner*—Robert M. Spear

*Assistant Examiner*—Susan Bennett Hattan

(74) *Attorney, Agent, or Firm*—St. Onge Steward Johnson & Reens LLC

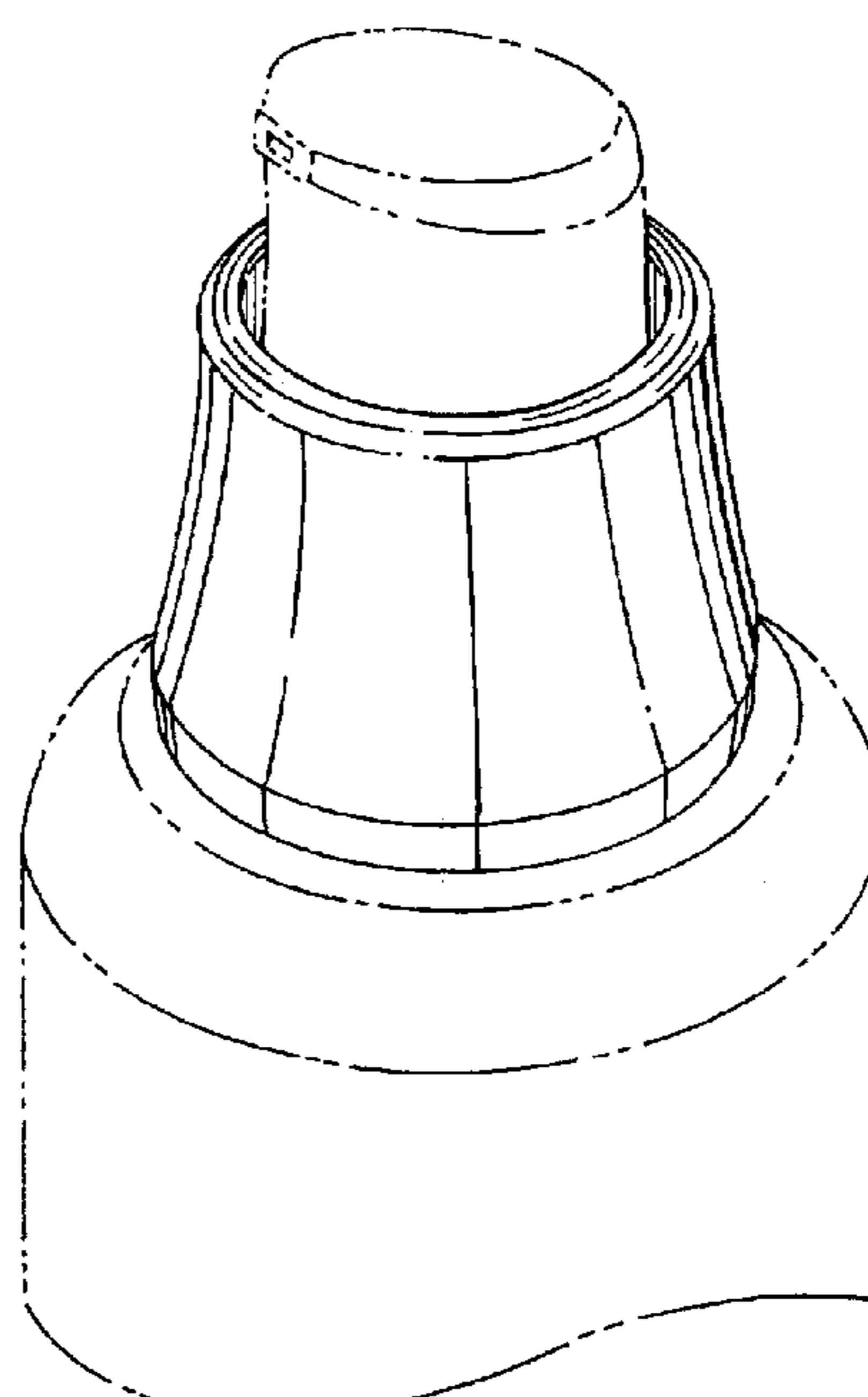
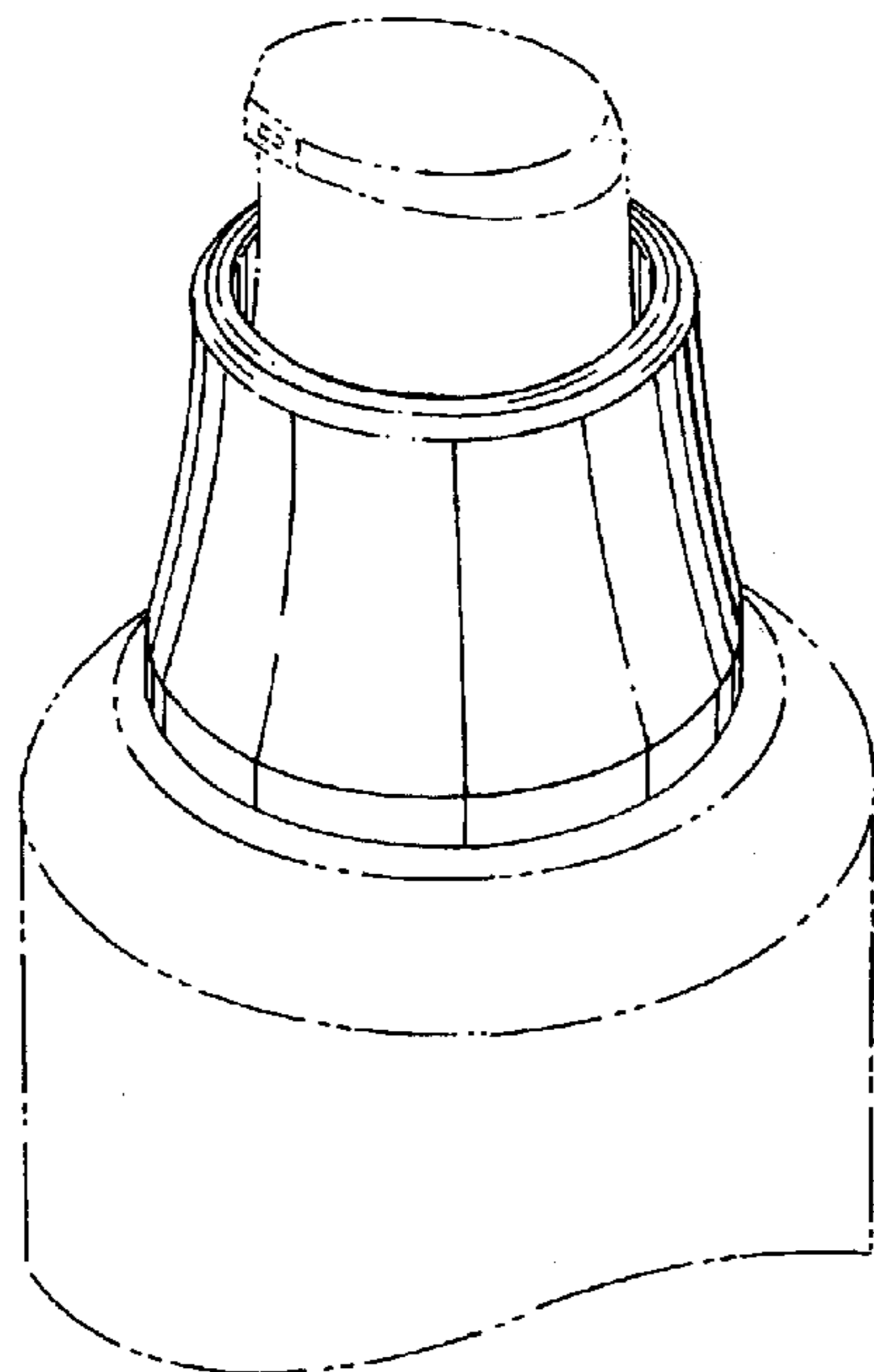
(57) **CLAIM**

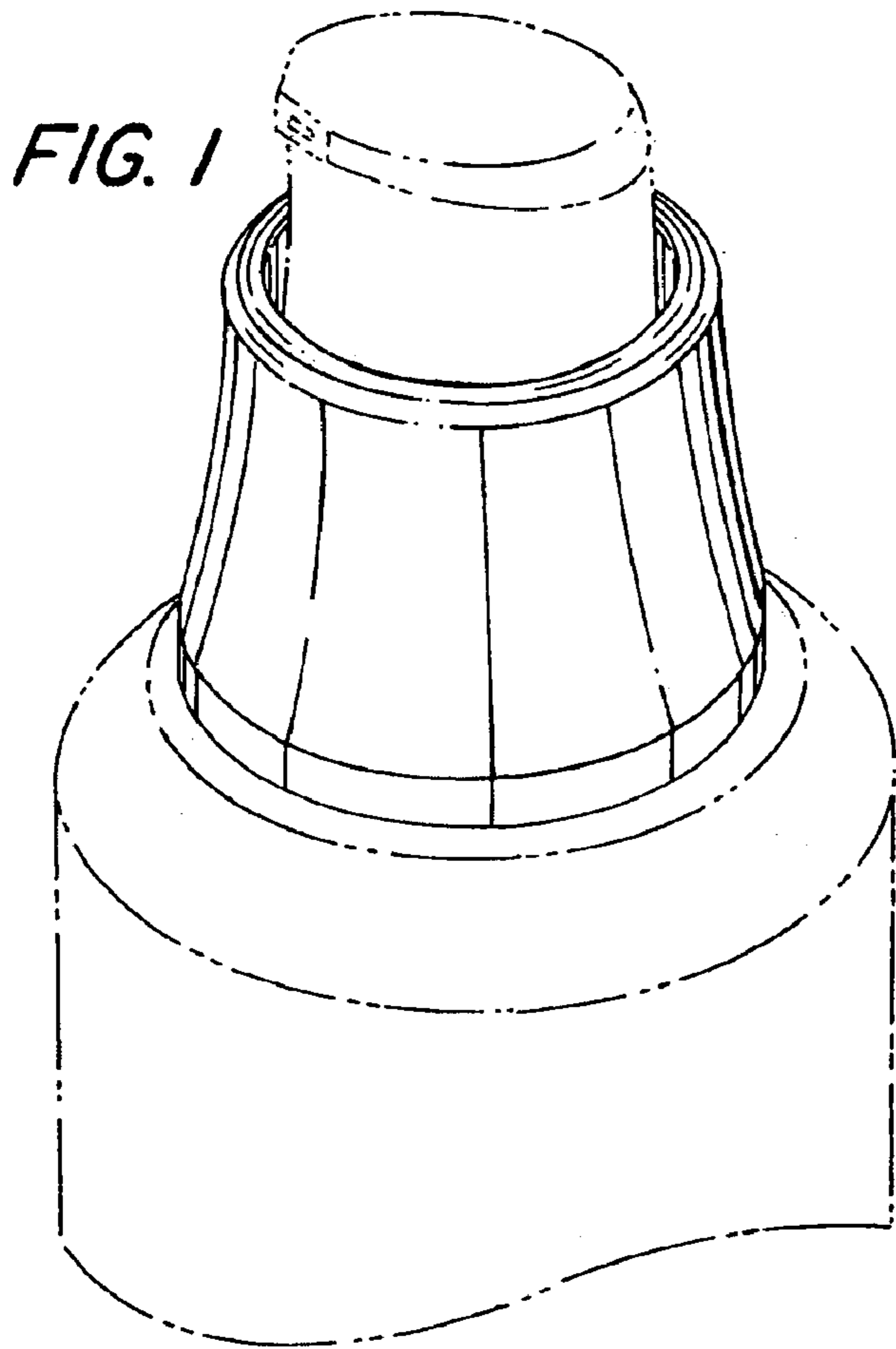
The ornamental design for a lotion dispenser, as shown and described.

**DESCRIPTION**

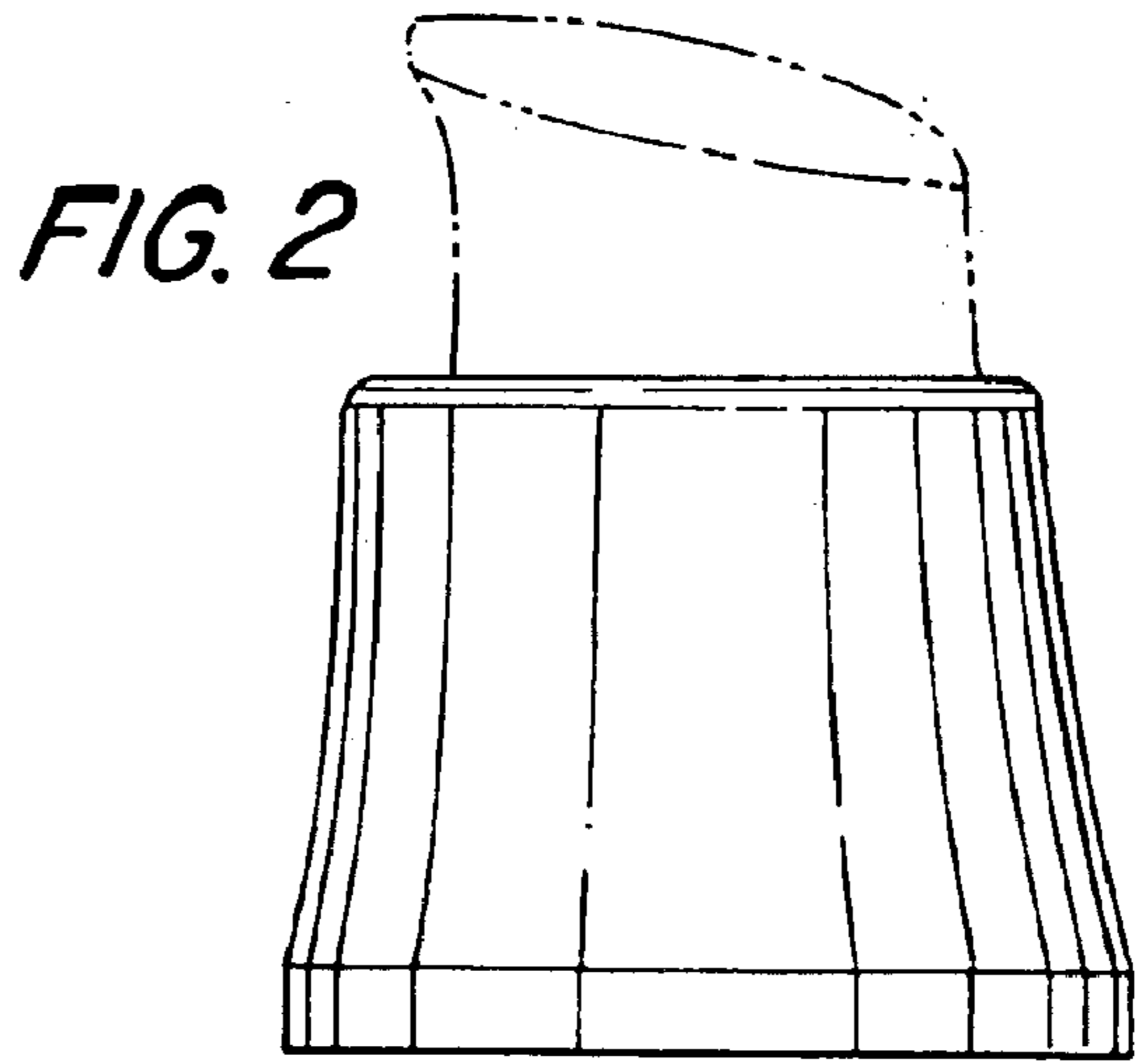
FIG. 1 is a side perspective view of a lotion dispenser in accordance with an embodiment of the new design; FIG. 2 is a side elevational view thereof; FIG. 3 is a front elevational view thereof; FIG. 4 is a rear elevational view thereof; FIG. 5 is a top plan view thereof; FIG. 6 is a side perspective view of a lotion dispenser in accordance with an embodiment of the new design; FIG. 7 is a side elevational view thereof; FIG. 8 is a front elevational view thereof; FIG. 9 is a rear elevational view thereof; and, FIG. 10 is a top plan view thereof.

**1 Claim, 2 Drawing Sheets**

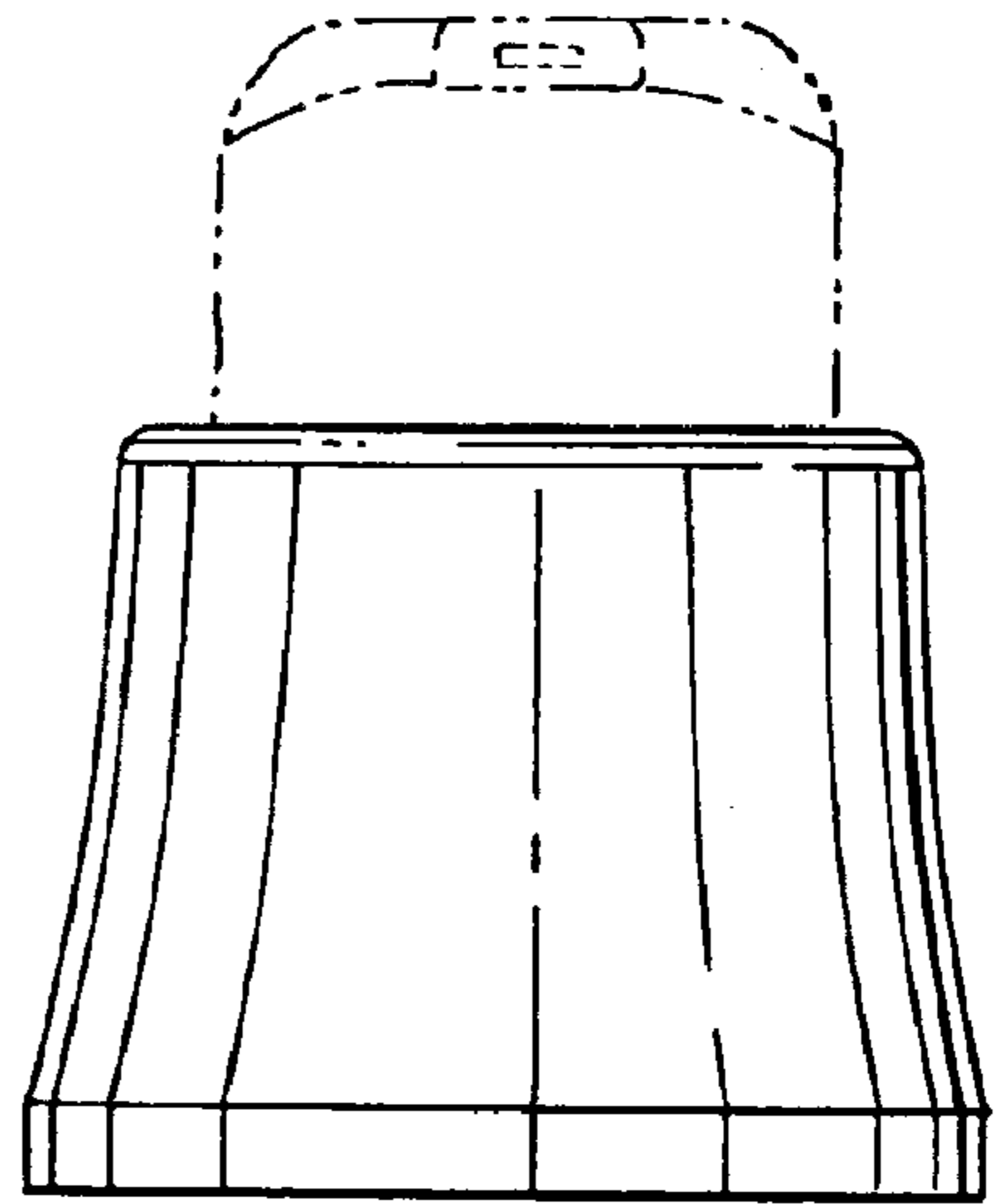




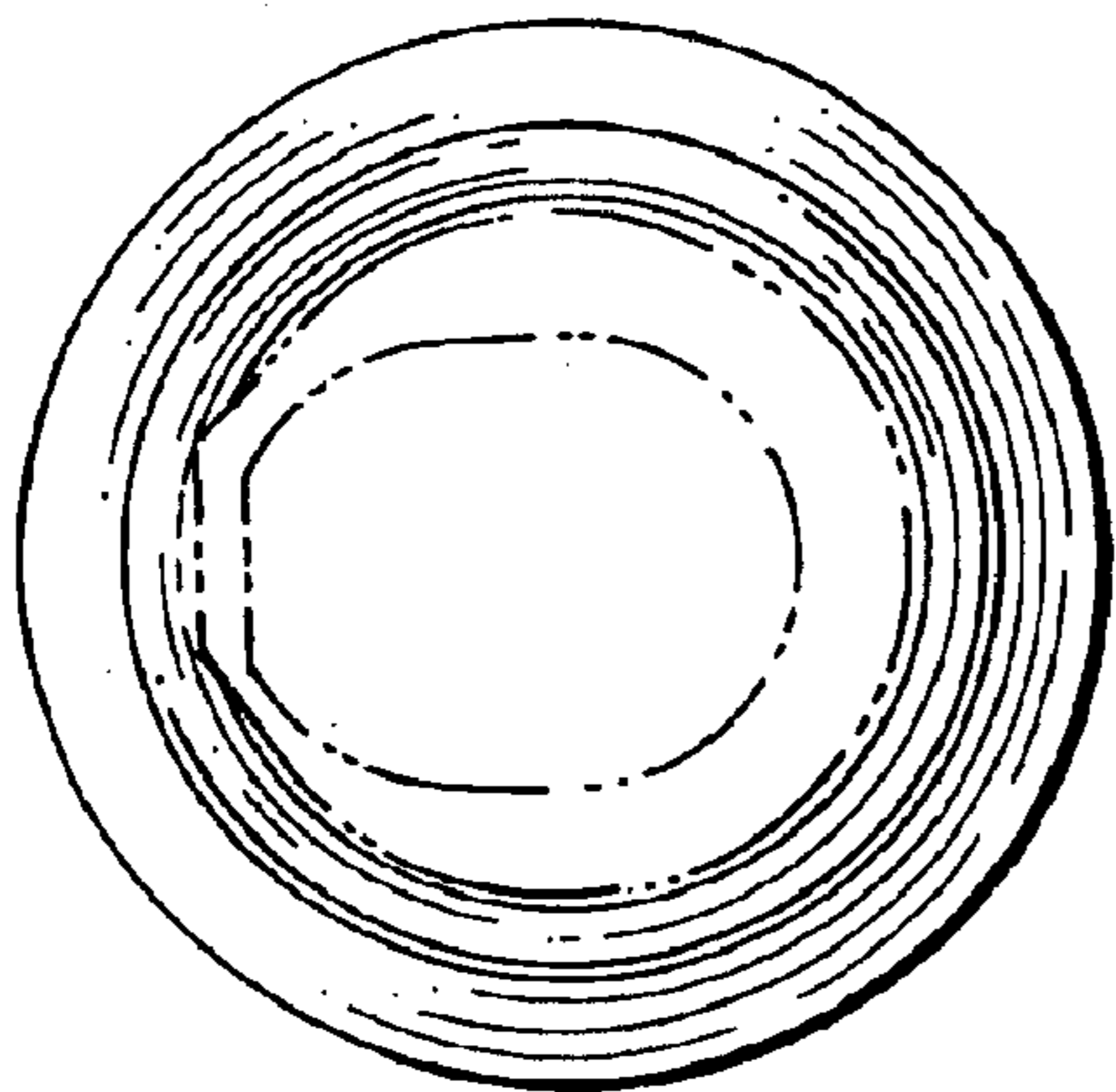
*FIG. 1*



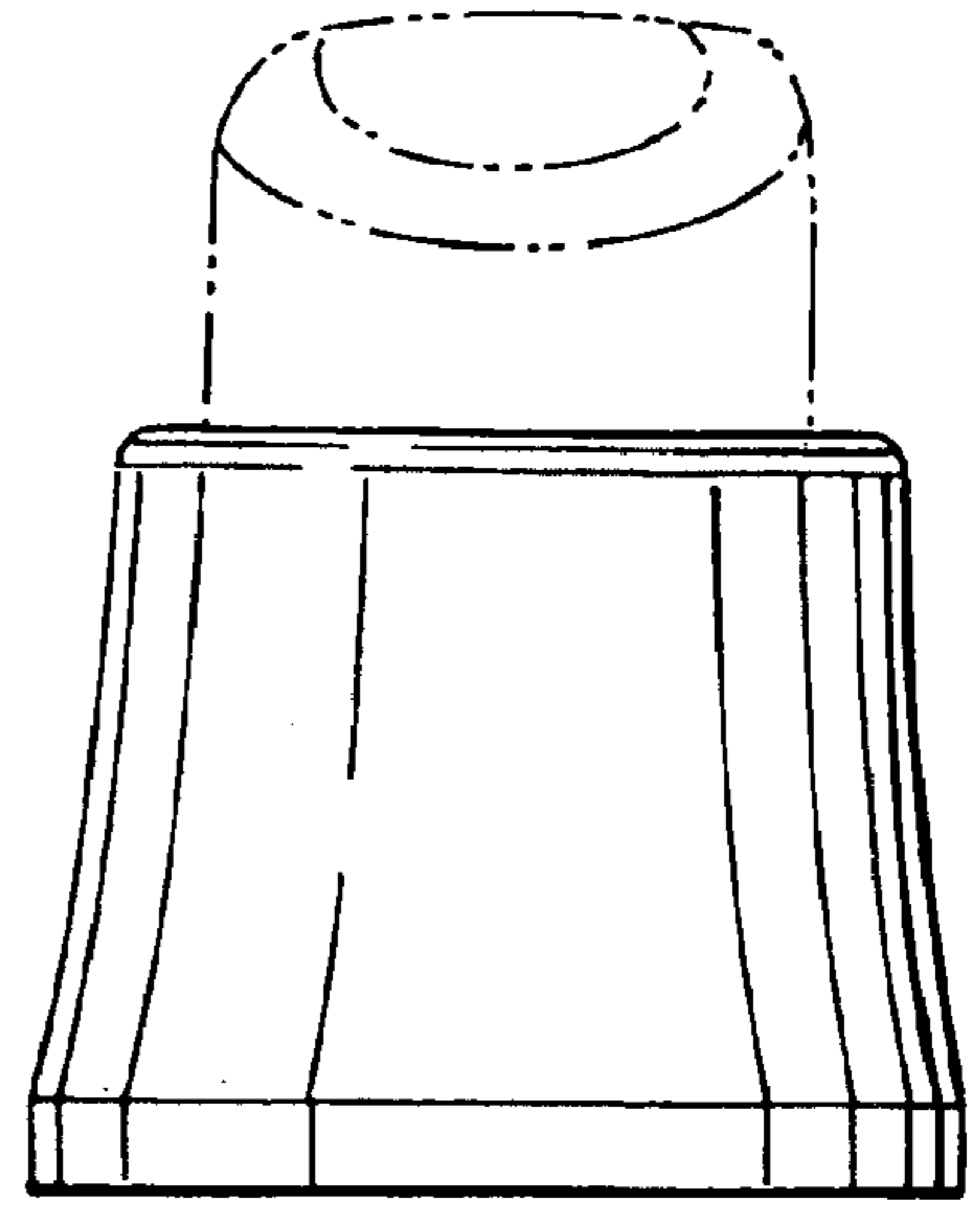
*FIG. 2*



*FIG. 3*

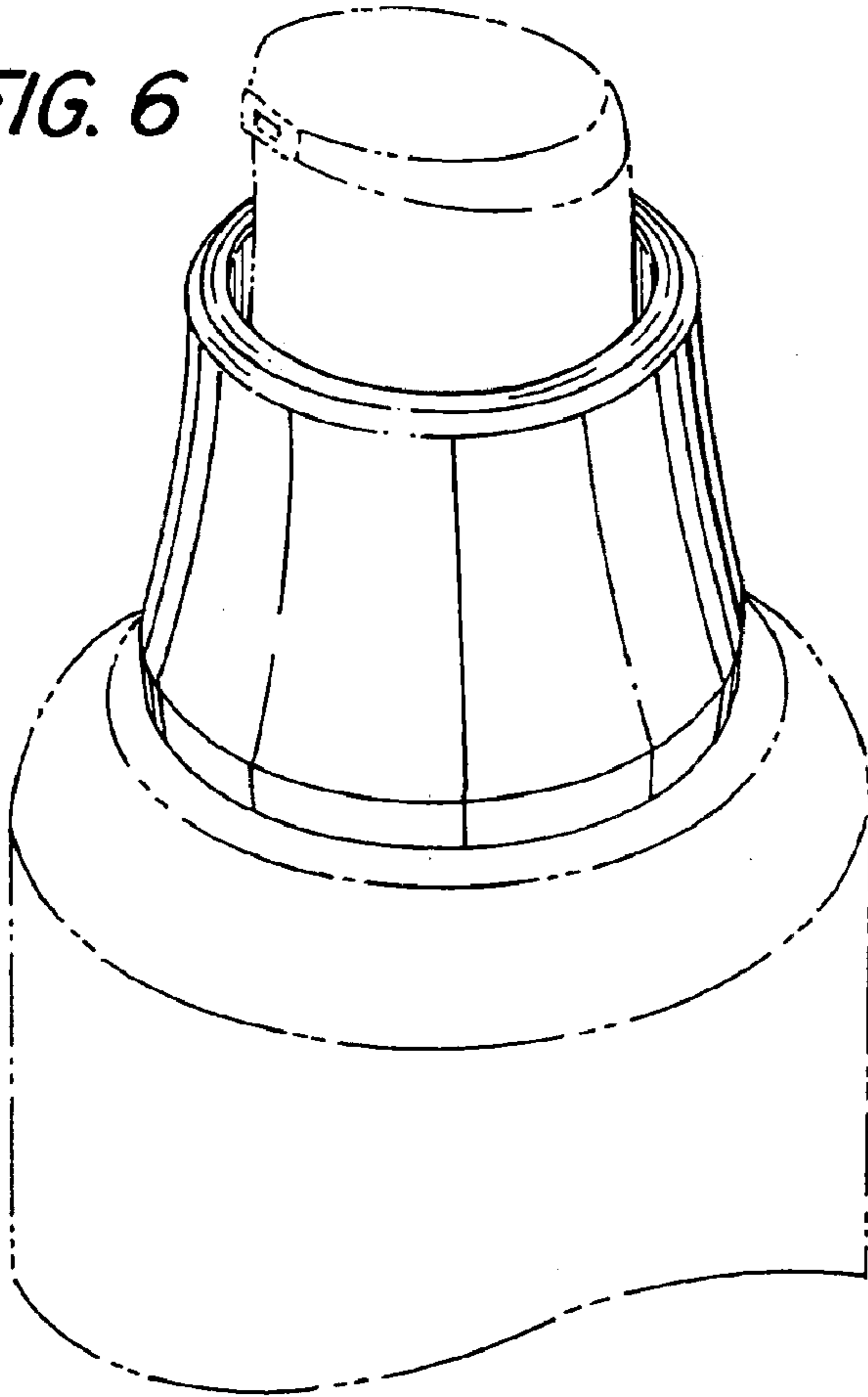


*FIG. 5*

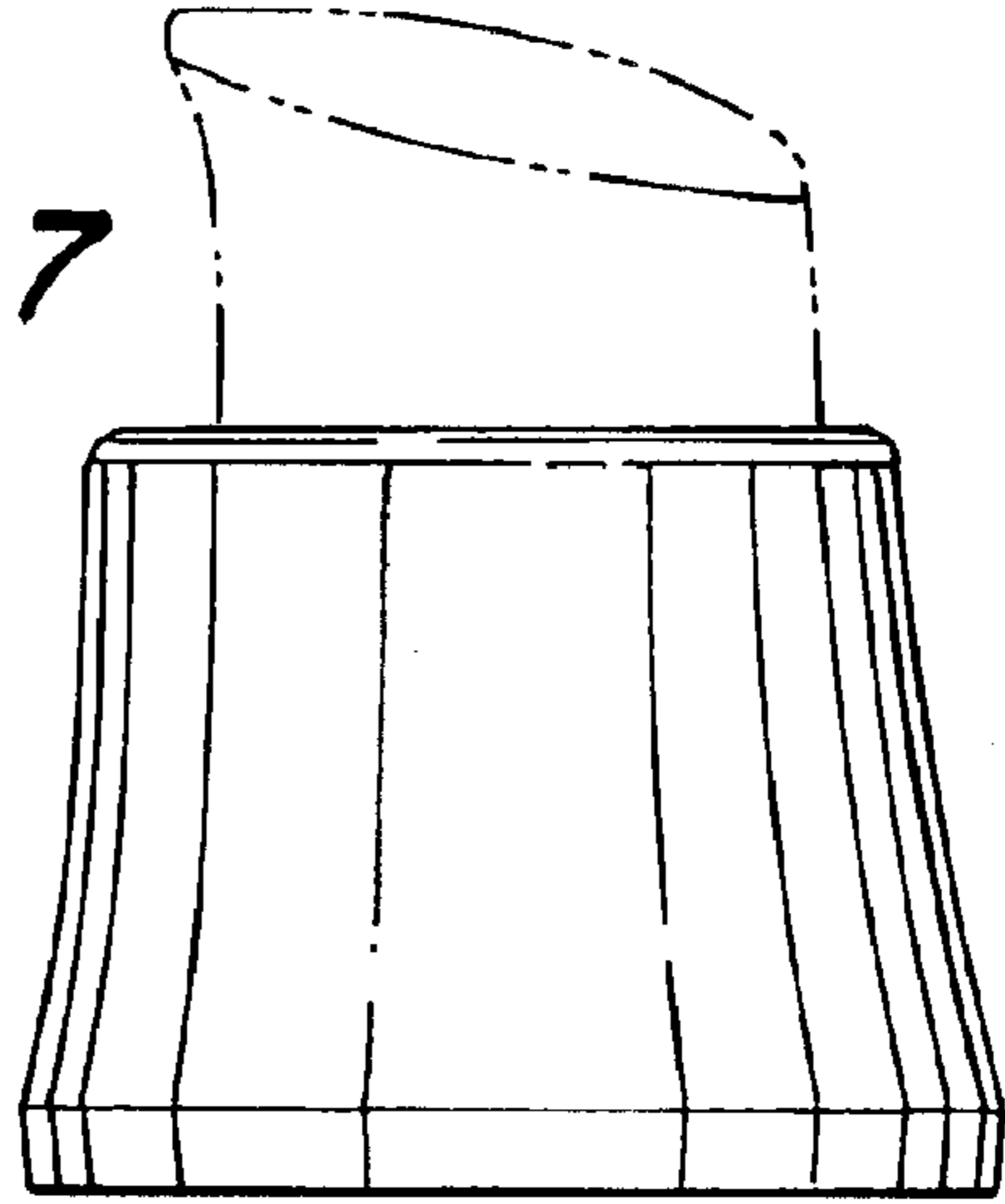


*FIG. 4*

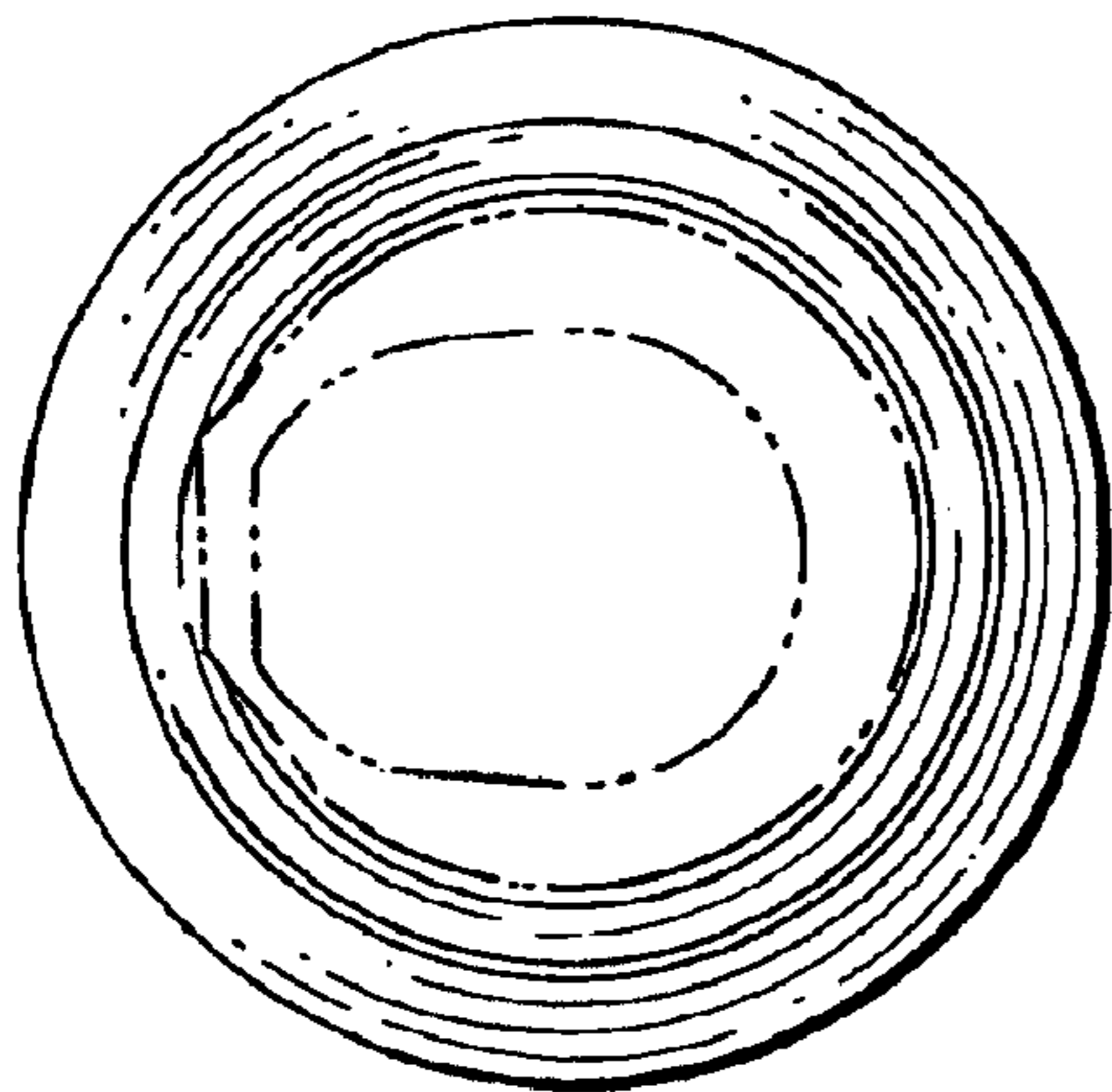
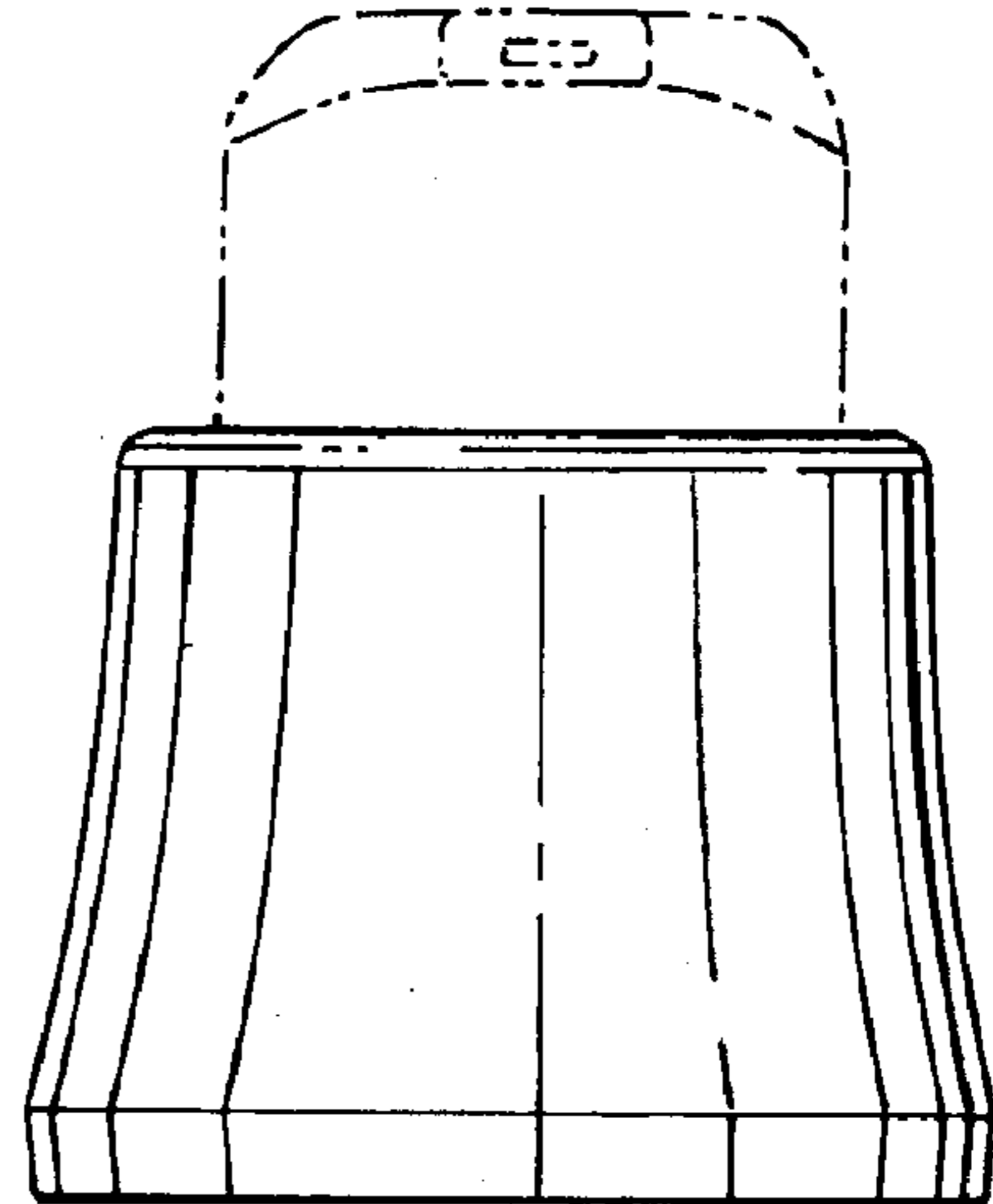
*FIG. 6*



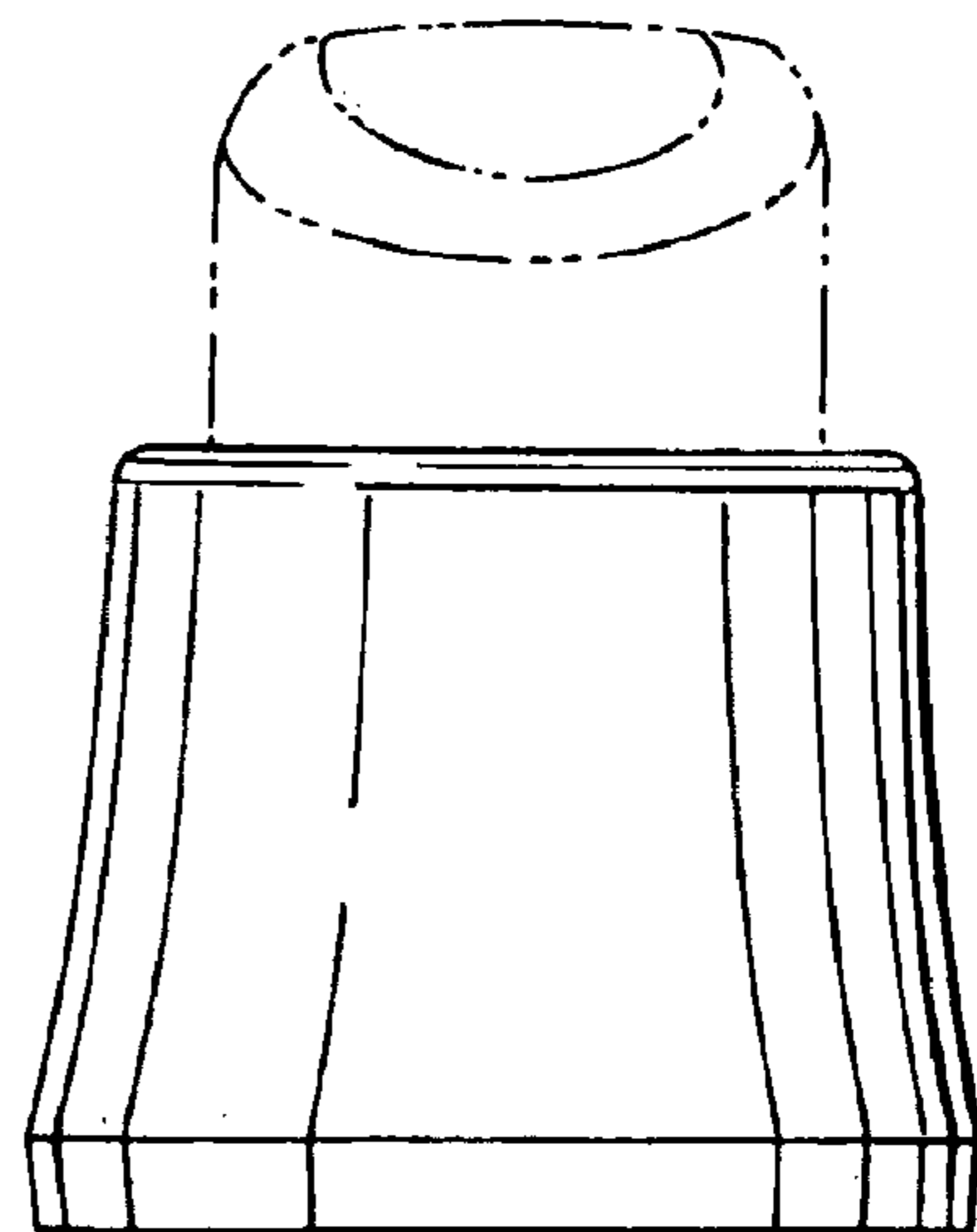
*FIG. 7*



*FIG. 8*



*FIG. 10*



*FIG. 9*