

US00D515417S

(12) **United States Design Patent**  
**Haggard**

(10) **Patent No.: US D515,417 S**

(45) **Date of Patent: \*\* Feb. 21, 2006**

(54) **GROOVED BEVERAGE LOCKING DEVICE**

(76) **Inventor: Mark Douglas Haggard**, 1111 Sweet Gum La., Kingwood, TX (US) 77339

(\*\*) **Term: 14 Years**

(21) **Appl. No.: 29/194,667**

(22) **Filed: Nov. 26, 2003**

(51) **LOC (8) Cl. .... 09-07**

(52) **U.S. Cl. .... D9/434; D8/343**

(58) **Field of Classification Search** ..... D9/443, D9/435, 434; 53/317; D8/499, 354, 349, D8/344, 343, 337, 331, 330; 70/54, 52, 51, 70/460, 431, 258, 19, 158, 1; 292/258, 256, 292/256.65; 248/552, 551, 315, 313, 312, 248/311.2

See application file for complete search history.

(56) **References Cited**

**U.S. PATENT DOCUMENTS**

588,211 A	8/1897	Abbott	
671,086 A	4/1901	Laible	
833,446 A	10/1906	Degener	
880,723 A	3/1908	Cumming	
1,155,947 A	10/1915	Mills	
2,836,386 A	* 5/1958	Iverson	248/311.2
3,206,955 A	9/1965	Horovitz	
5,464,109 A	11/1995	Greenwald	
5,487,519 A	* 1/1996	Grabowski	248/311.2
5,586,670 A	12/1996	Greenwald	

5,603,477 A	*	2/1997	Deutsch	248/311.2
5,911,764 A		6/1999	Wei Kong	
6,409,136 B1	*	6/2002	Weiss et al.	248/311.2
6,698,160 B2	*	3/2004	Peronek et al.	53/317
D494,837 S	*	8/2004	Vito	D8/331
D499,953 S	*	12/2004	Haggard	D8/343
2003/0019993 A1	*	1/2003	Yamada	248/311.2

\* cited by examiner

*Primary Examiner*—Robert M. Spear

*Assistant Examiner*—Susan Bennett Hattan

(74) *Attorney, Agent, or Firm*—Locke Liddell & Sapp LLP

(57) **CLAIM**

The ornamental design for a grooved beverage locking device, as shown and described.

**DESCRIPTION**

FIG. 1 is a perspective view of a grooved beverage locking device.

FIG. 2 is a side view of the grooved beverage locking device.

FIG. 3 is a top view of the grooved beverage locking device.

FIG. 4 is an end view of the grooved beverage locking device.

FIG. 5 is an opposite end view relative to FIG. 4 of the grooved beverage locking device; and,

FIG. 6 is a perspective view of the grooved locking device engaged with a bottle cap and bottle for environmental illustration.

**1 Claim, 2 Drawing Sheets**

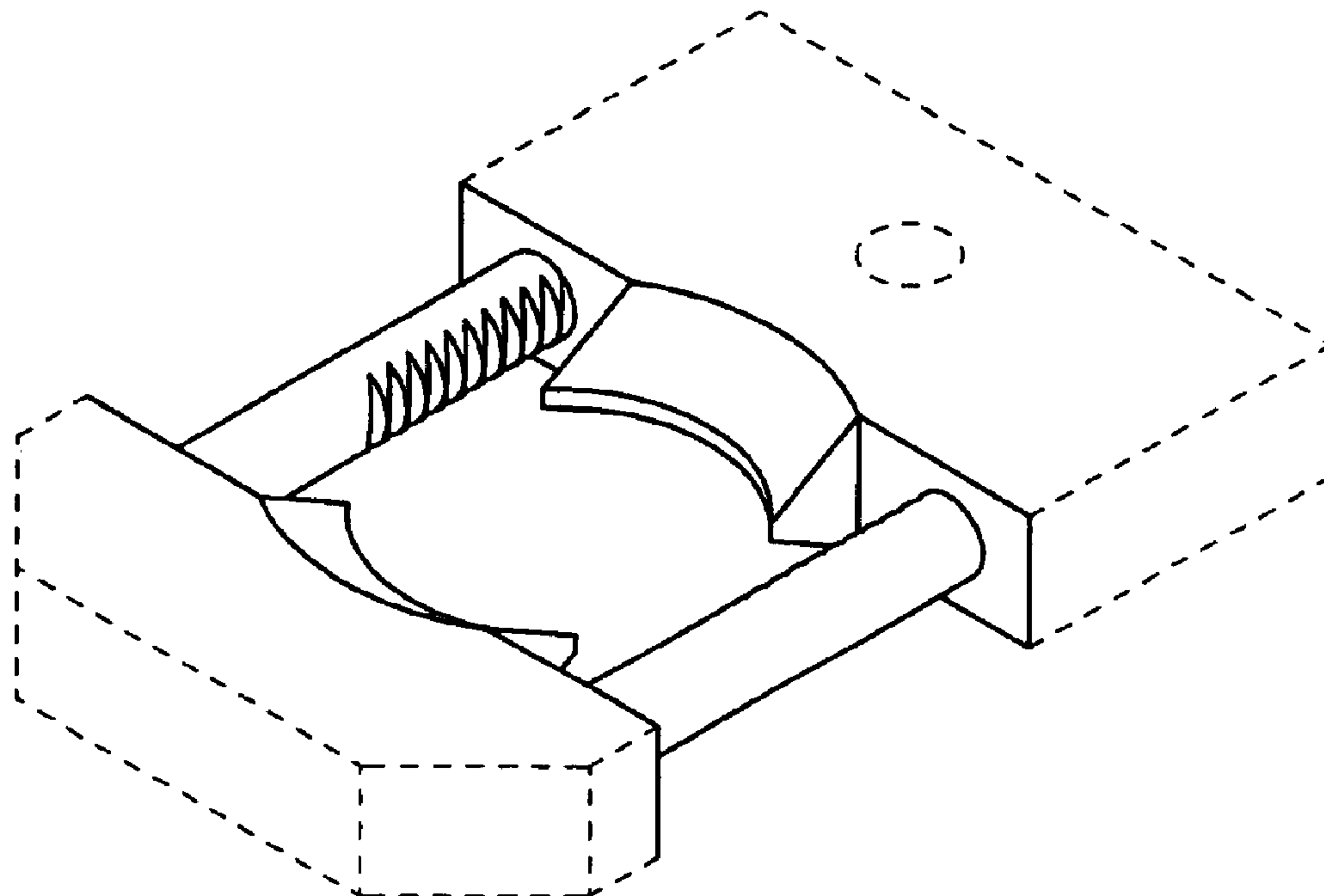


Fig. 1

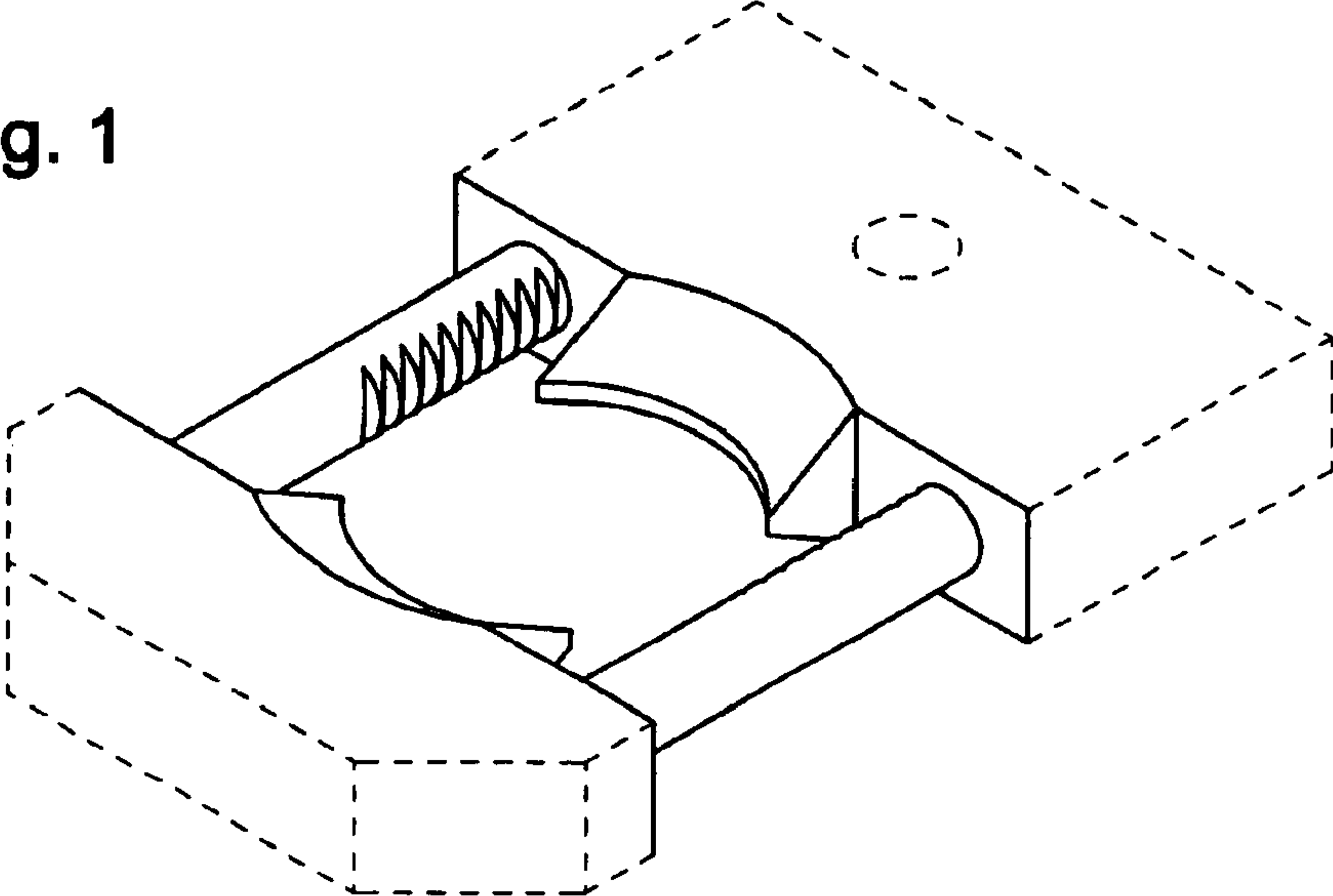


Fig. 2

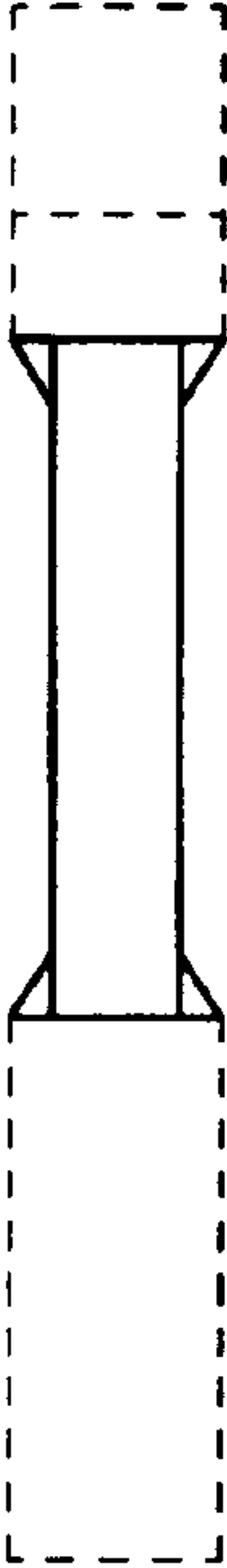


Fig. 3

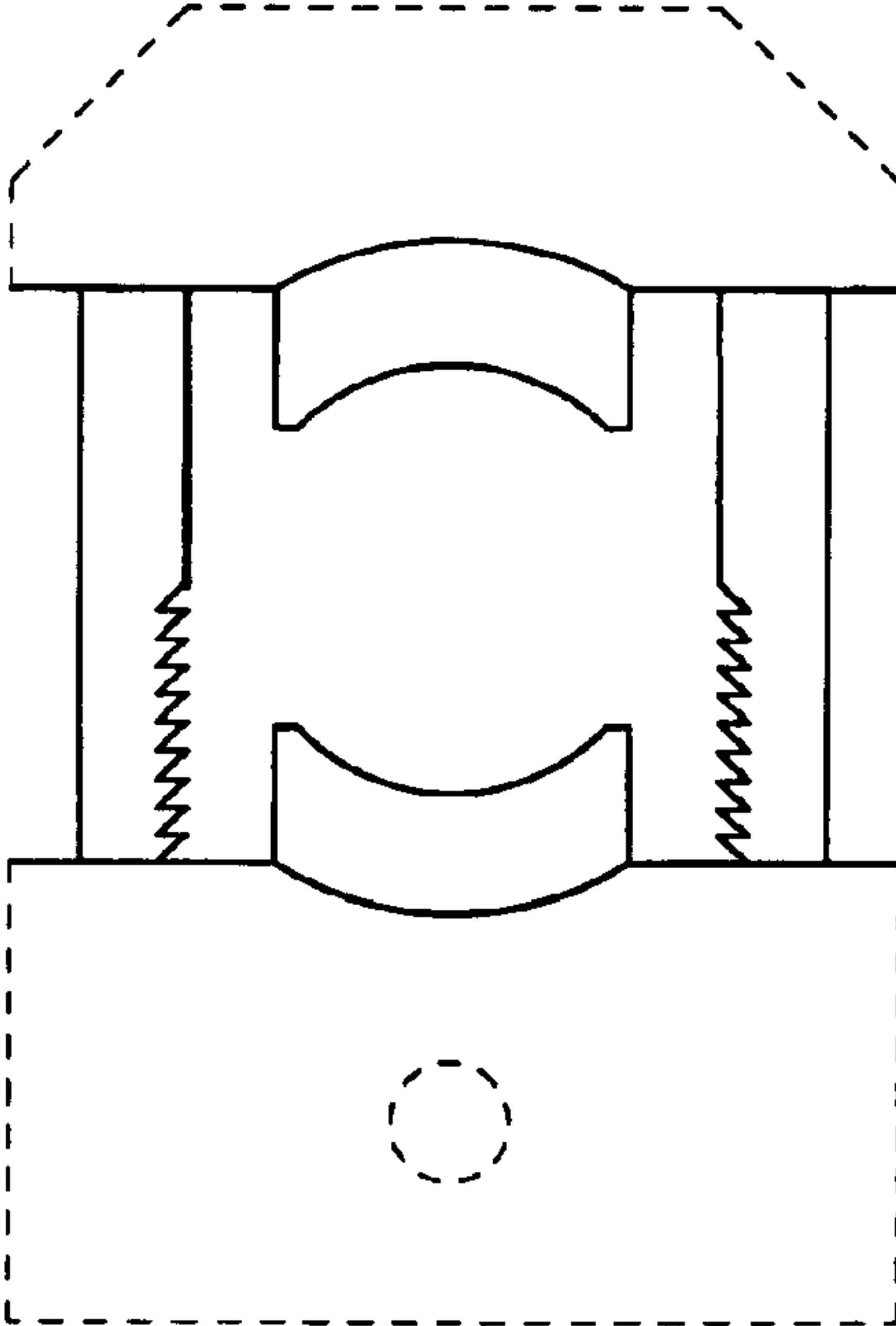


Fig. 4



Fig. 5



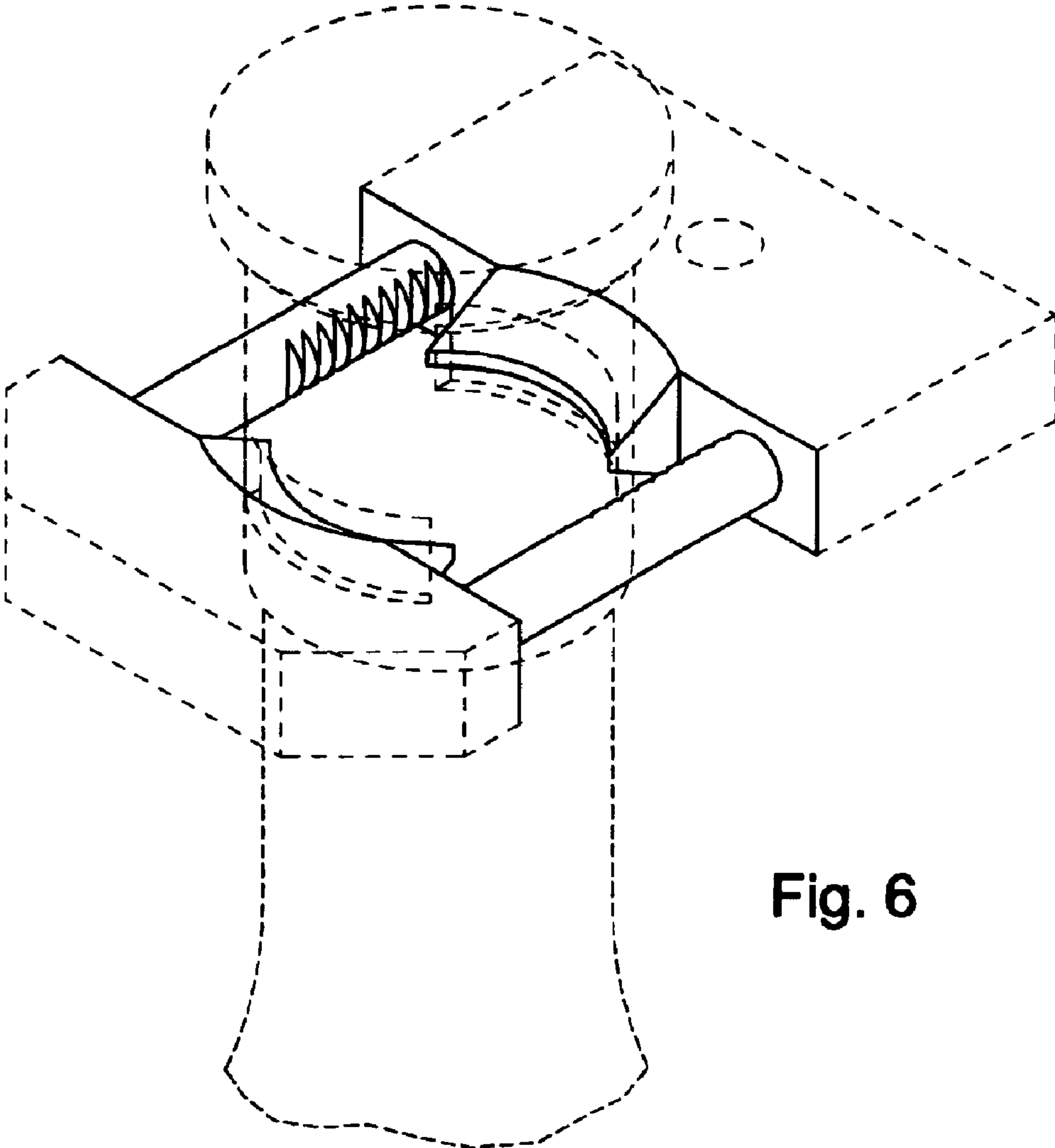


Fig. 6