



US00D515416S

(12) **United States Design Patent**
Haggard et al.

(10) **Patent No.:** **US D515,416 S**

(45) **Date of Patent:** **** Feb. 21, 2006**

(54) **SLIP BEVERAGE LOCKING DEVICE**

(76) Inventors: **Michael Joe Haggard**, 1111 Sweet Gum La., Kingwood, TX (US) 77339;
Mark Douglas Haggard, 1111 Sweet Gum La., Kingwood, TX (US) 77339

(**) Term: **14 Years**

(21) Appl. No.: **29/194,649**

(22) Filed: **Nov. 26, 2003**

(51) **LOC (8) Cl.** **09-07**

(52) **U.S. Cl.** **D9/434; D8/343**

(58) **Field of Classification Search** D9/443,
D9/435, 434; D6/528; D8/499, 354, 349,
D8/344, 343, 337, 331, 330; 70/54, 52, 51,
70/460, 431, 258, 19, 158, 1; 292/258, 256,
292/256.65; 248/552, 551, 315, 313, 312,
248/309.1

See application file for complete search history.

(56) **References Cited**

U.S. PATENT DOCUMENTS

588,211 A	8/1897	Abbott	
671,086 A	4/1901	Laible	
833,446 A	10/1906	Degener	
880,723 A	3/1908	Cumming	
1,155,947 A	10/1915	Mills	
3,206,955 A	9/1965	Horovitz	
3,214,388 A	* 10/1965	Calvert	248/313
D295,719 S	* 5/1988	DeLuca et al.	D8/331

5,464,109 A	11/1995	Greenwald	
5,586,670 A	12/1996	Greenwald	
5,911,764 A	6/1999	Wei Kong	
6,431,516 B1	* 8/2002	Cooner, Jr. et al.	248/551
D485,720 S	* 1/2004	Messinger	D6/528
D488,701 S	* 4/2004	Vito	D8/343
D489,244 S	* 5/2004	Vito	D8/343

* cited by examiner

Primary Examiner—Robert M. Spear

Assistant Examiner—Susan Bennett Hattan

(74) *Attorney, Agent, or Firm*—Locke Liddell & Sapp LLP

(57) **CLAIM**

The ornamental design for a slip beverage locking device, as shown and described.

DESCRIPTION

FIG. 1 is a perspective view of a slip beverage locking device.

FIG. 2 is a side view of the slip beverage locking device.

FIG. 3 is a top view of the slip beverage locking device.

FIG. 4 is an end view of the slip beverage locking device.

FIG. 5 is an opposite end view relative to FIG. 4 of the slip beverage locking device; and,

FIG. 6 is a perspective view of the slip beverage locking device engaged with a bottle cap and bottle for environmental illustration.

The broken line environmental showing is for illustrative purposes only and forms no part of the claimed design.

1 Claim, 2 Drawing Sheets

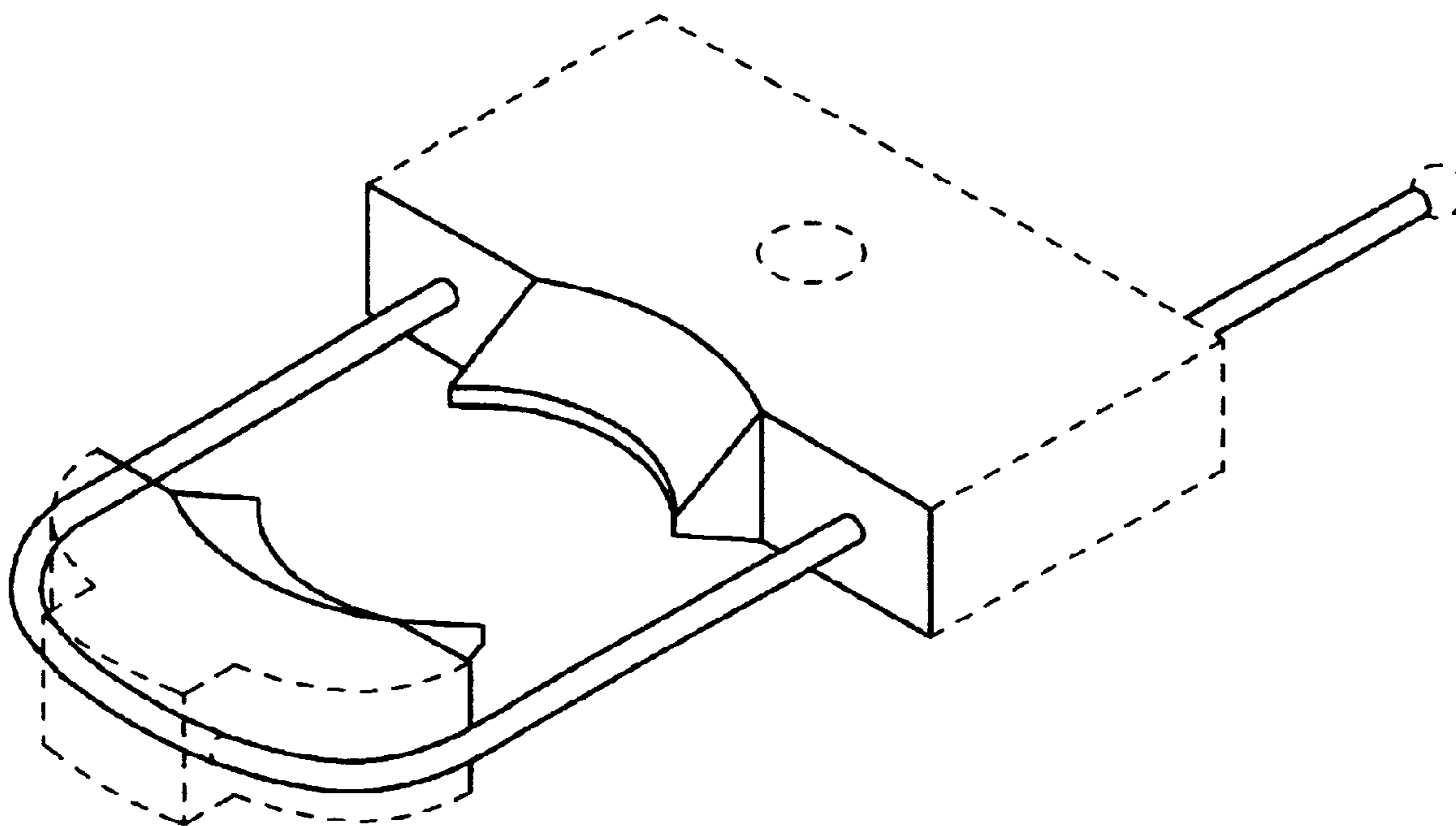


Fig. 1

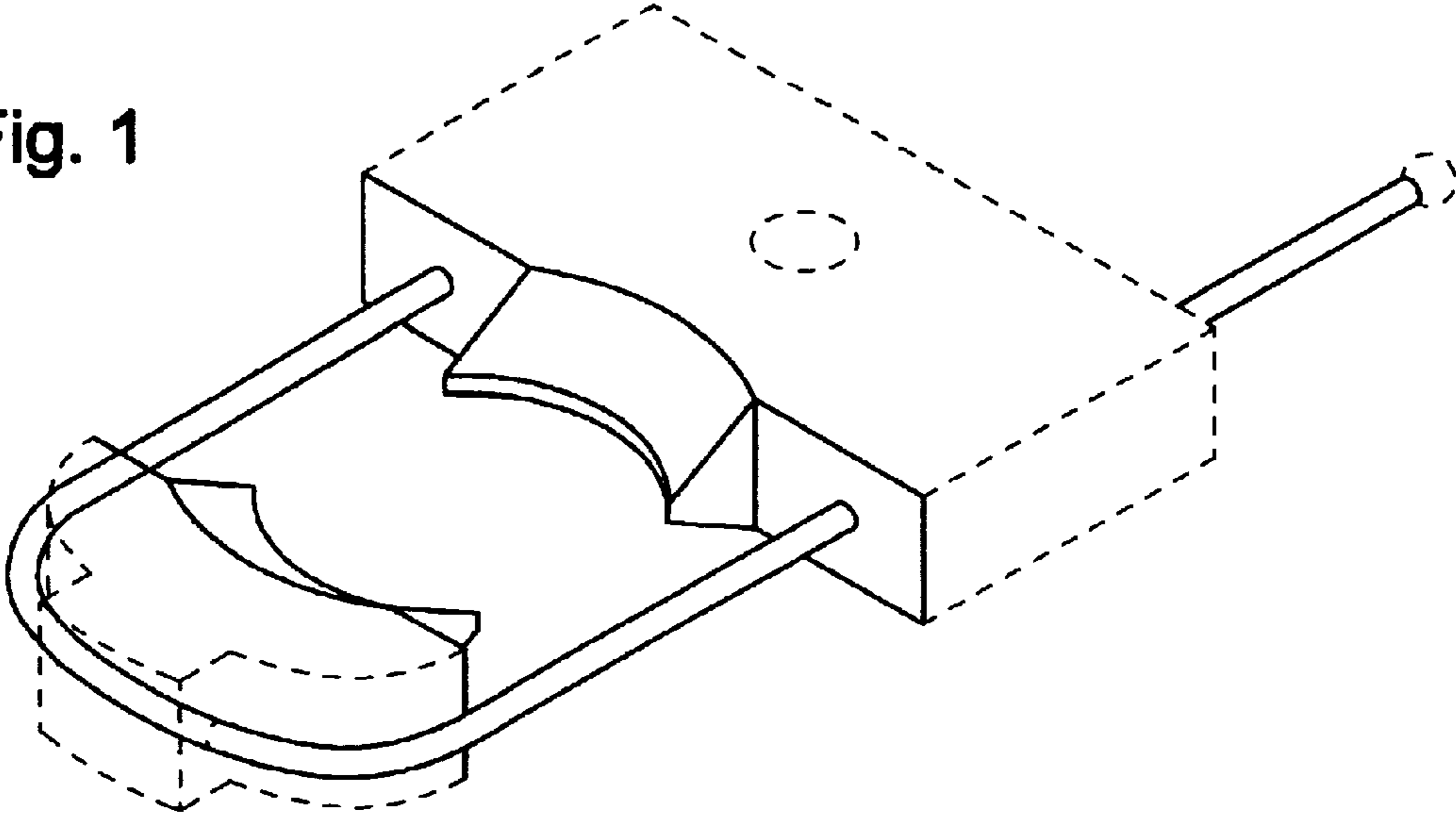


Fig. 2



Fig. 3

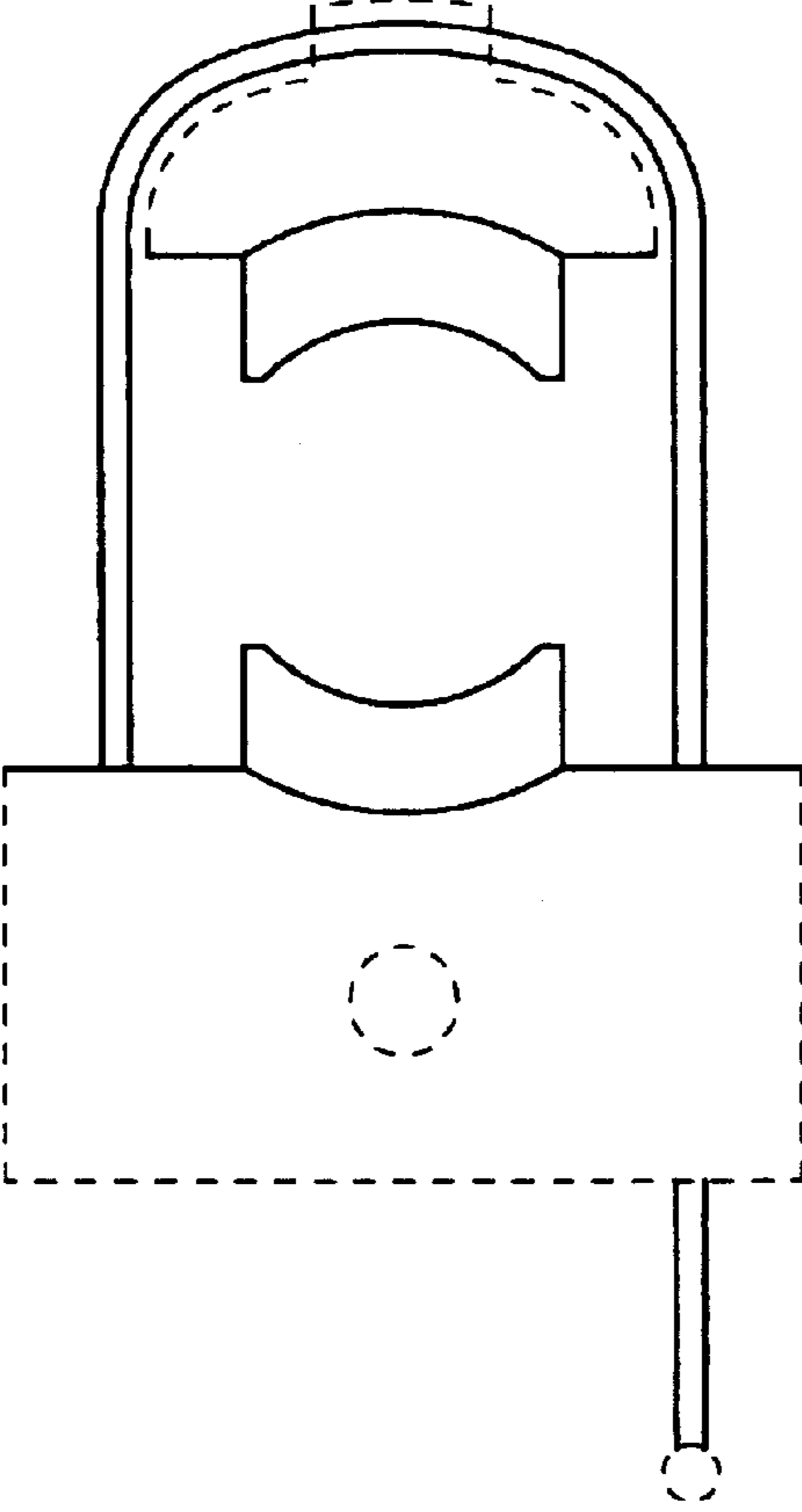


Fig. 4



Fig. 5

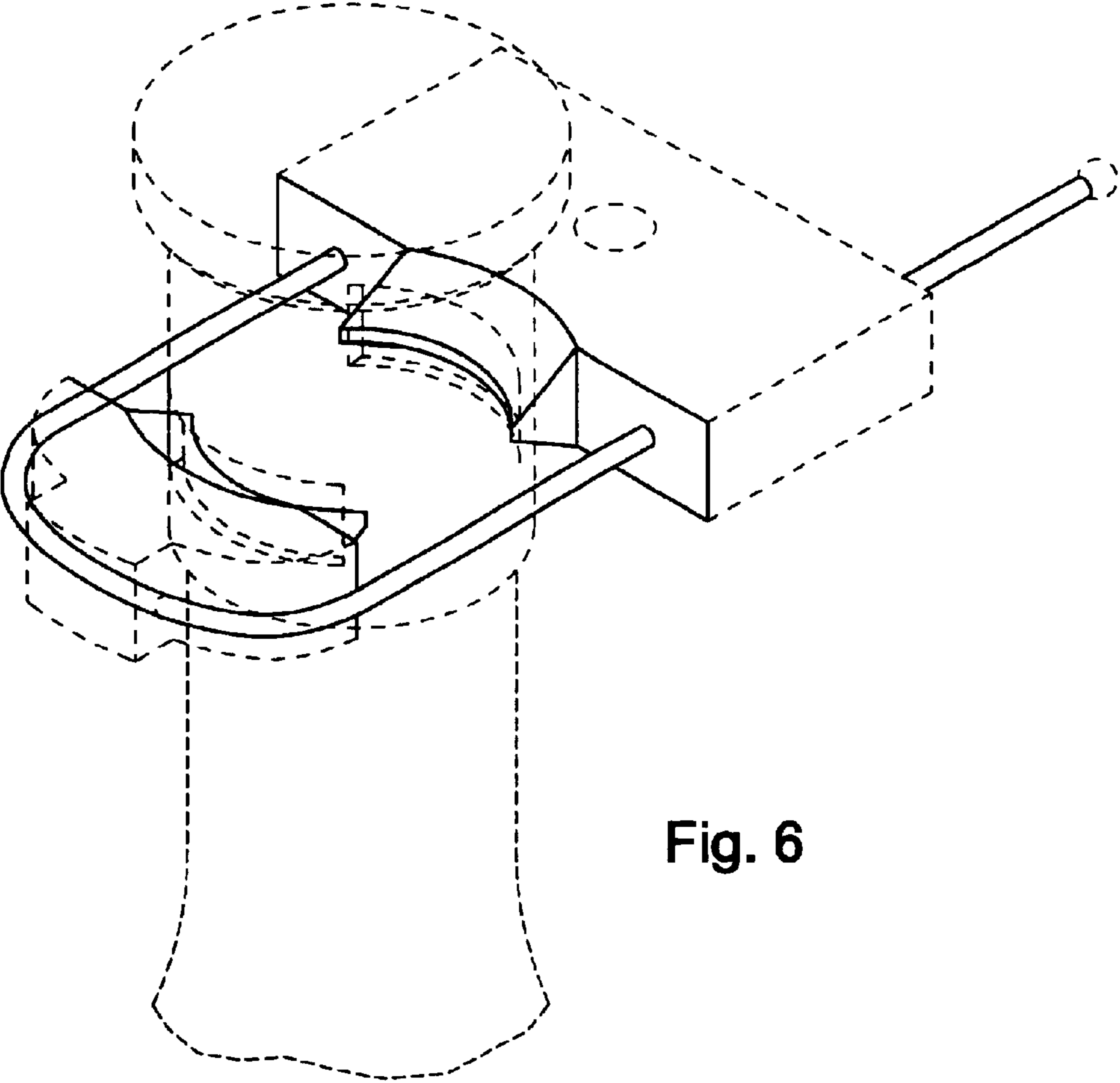
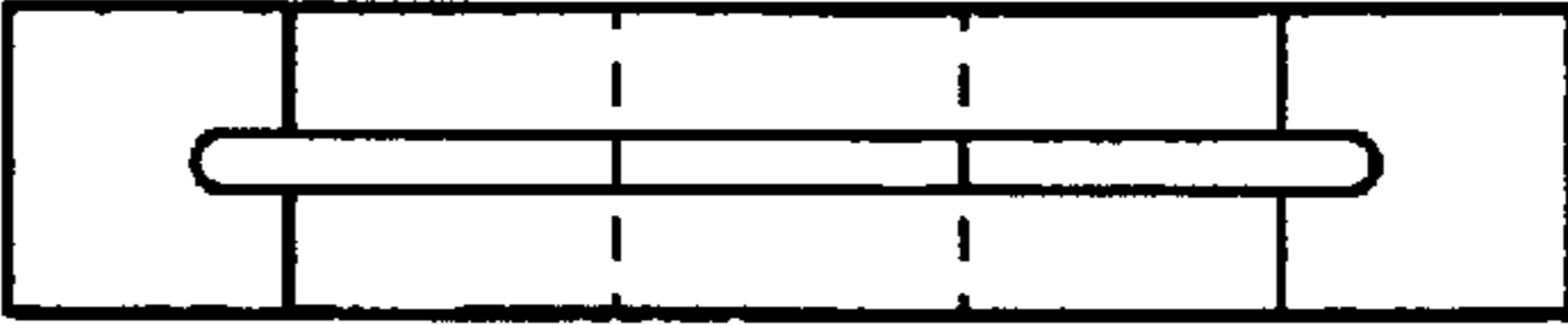


Fig. 6