



US00D515412S

(12) **United States Design Patent** (10) **Patent No.:** **US D515,412 S**
Waler et al. (45) **Date of Patent:** **** Feb. 21, 2006**

(54) **DRAPE CLIP**

FOREIGN PATENT DOCUMENTS

(75) Inventors: **Luke Waler**, Fort Collins, CO (US);
Mark J. Huseman, Broomfield, CO (US)

GB 1190488 5/1970

* cited by examiner

(73) Assignee: **Sherwood Services AG**, Schaffhausen (CH)

Primary Examiner—Doris Clark
Assistant Examiner—John Windmuller

(**) Term: **14 Years**

(57) **CLAIM**

The ornamental design for a drape clip, as shown and described.

(21) Appl. No.: **29/225,205**

(22) Filed: **Mar. 11, 2005**

DESCRIPTION

(51) **LOC (8) Cl.** **08-08**

(52) **U.S. Cl.** **D8/395**

(58) **Field of Classification Search** D8/356,
D8/371, 394–396, 499, 53, 100, 365; D12/51;
D19/65; D28/39, 40, 42; 24/546, 563, 327,
24/334, DIG. 8, DIG. 9, DIG. 13, DIG. 28;
248/74.2, 300, 301, 316.7, 229.26

See application file for complete search history.

FIG. 1 is a top, perspective view of a drape clip shown in closed position showing our new design;
 FIG. 2 is a bottom perspective view thereof;
 FIG. 3 is a top plan view thereof;
 FIG. 4 is a bottom plan view thereof;
 FIG. 5 is a right side elevational view thereof;
 FIG. 6 is a left side elevational view thereof;
 FIG. 7 is a rear elevational view thereof;
 FIG. 8 is a front elevational view thereof;
 FIG. 9 is a top perspective view of the drape clip shown in open position at a reduced scale;
 FIG. 10 is a bottom perspective view thereof;
 FIG. 11 is a top plan view thereof;
 FIG. 12 is a bottom plan view thereof;
 FIG. 13 is a right side elevational view thereof;
 FIG. 14 is a left side elevational view thereof;
 FIG. 15 is a rear elevational view thereof; and,
 FIG. 16 is a front elevational view thereof.

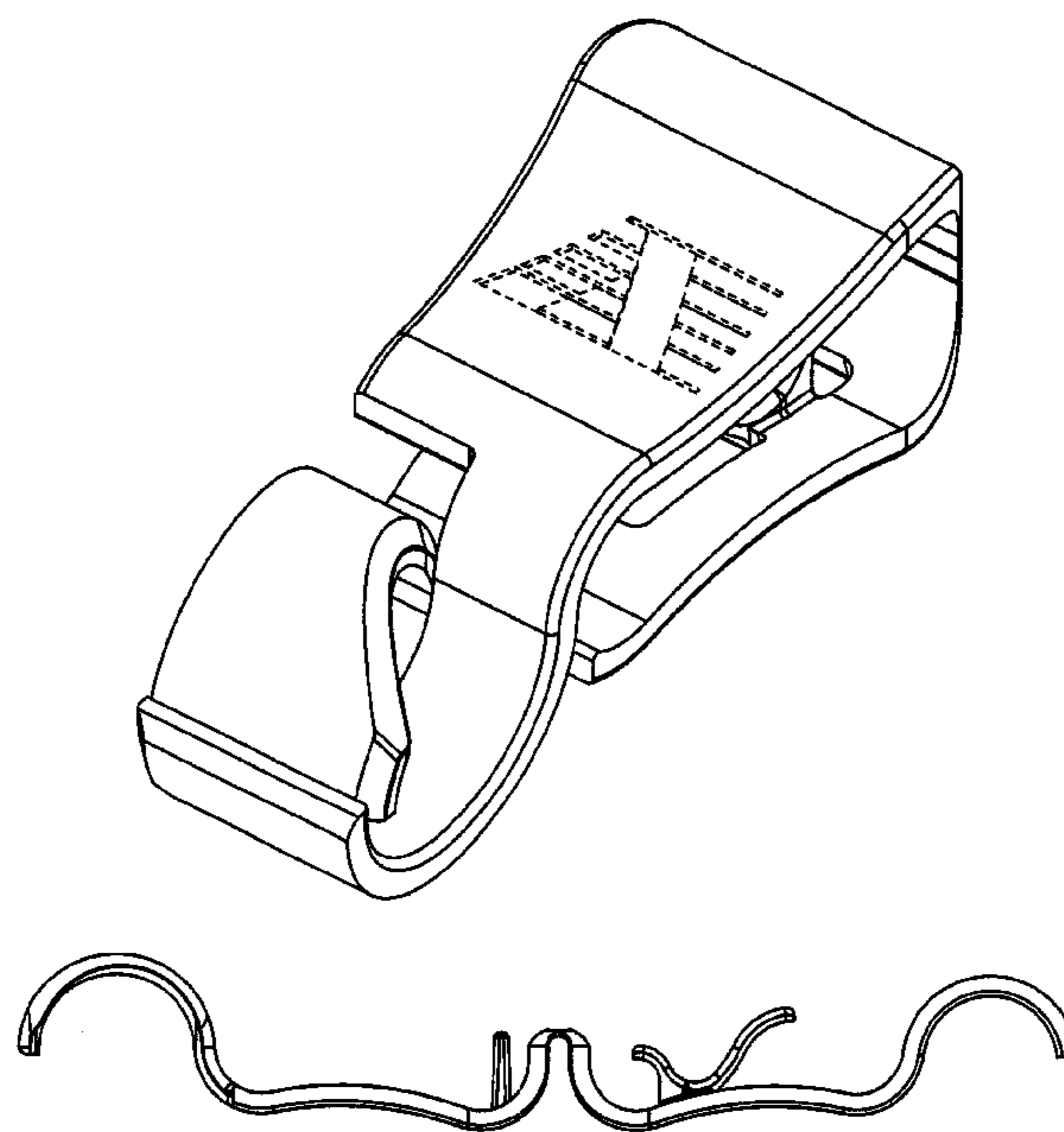
The broken line showing of a logo on the clip is for illustrative purposes only and forms no part of the claimed design.

(56) **References Cited**

U.S. PATENT DOCUMENTS

D28,694 S	*	5/1898	Wood	D8/382
D55,524 S	*	6/1920	Mueller	D8/395
2,471,606 A		4/1946	Burns		
3,140,519 A	*	7/1964	Johnson	24/30.5 R
3,456,262 A		9/1967	Coon		
D249,927 S	*	10/1978	Takahashi et al.	D8/395
4,605,990 A		8/1986	Wilder et al.		
D298,703 S		11/1988	Arnold		
D316,333 S		4/1991	Maki		
5,075,935 A		12/1991	Abdi		
5,318,292 A		6/1994	De Marco		
5,402,558 A		4/1995	Santapa		
D373,304 S	*	9/1996	Russo	D8/395

1 Claim, 7 Drawing Sheets



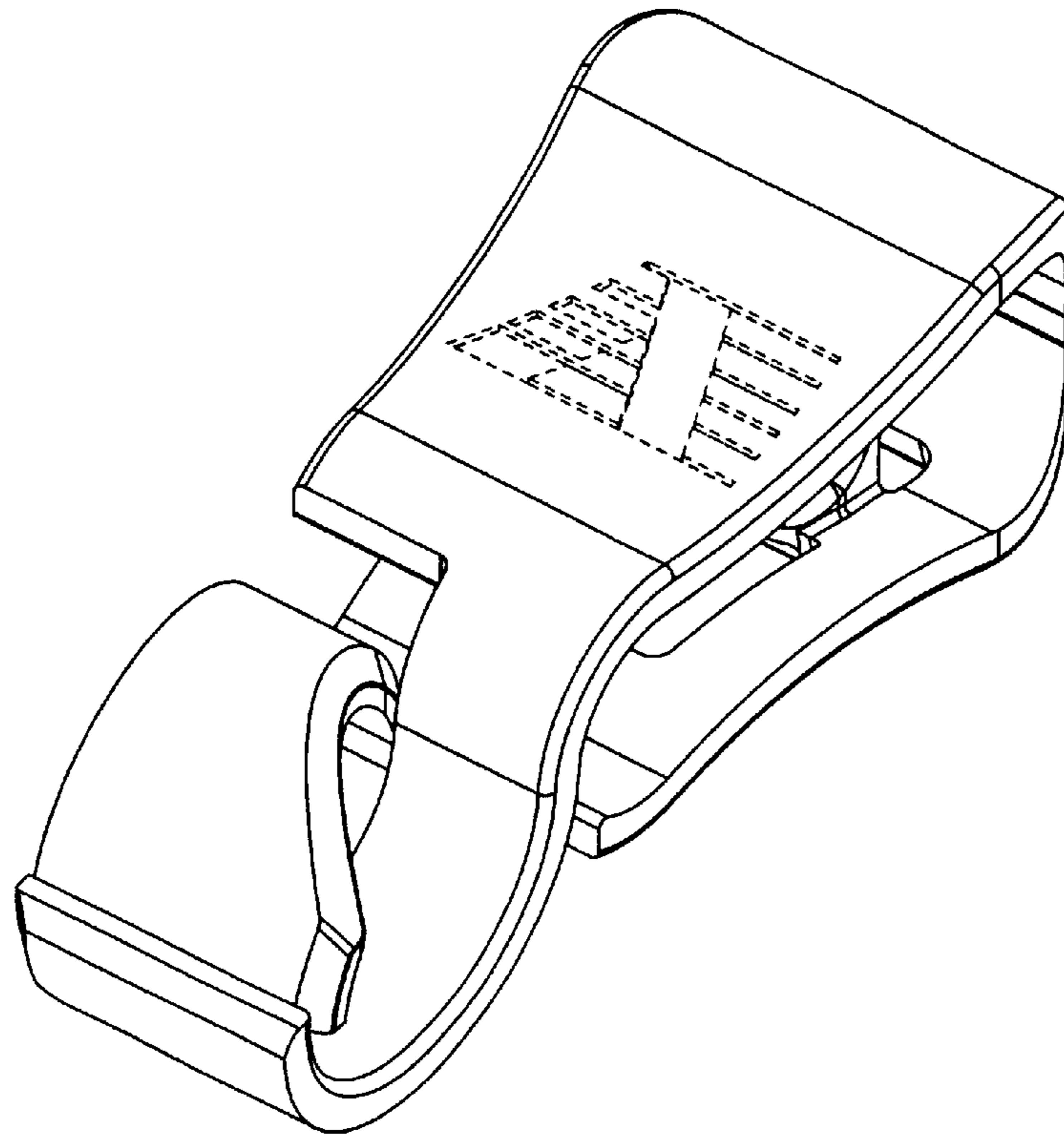


FIG. 1

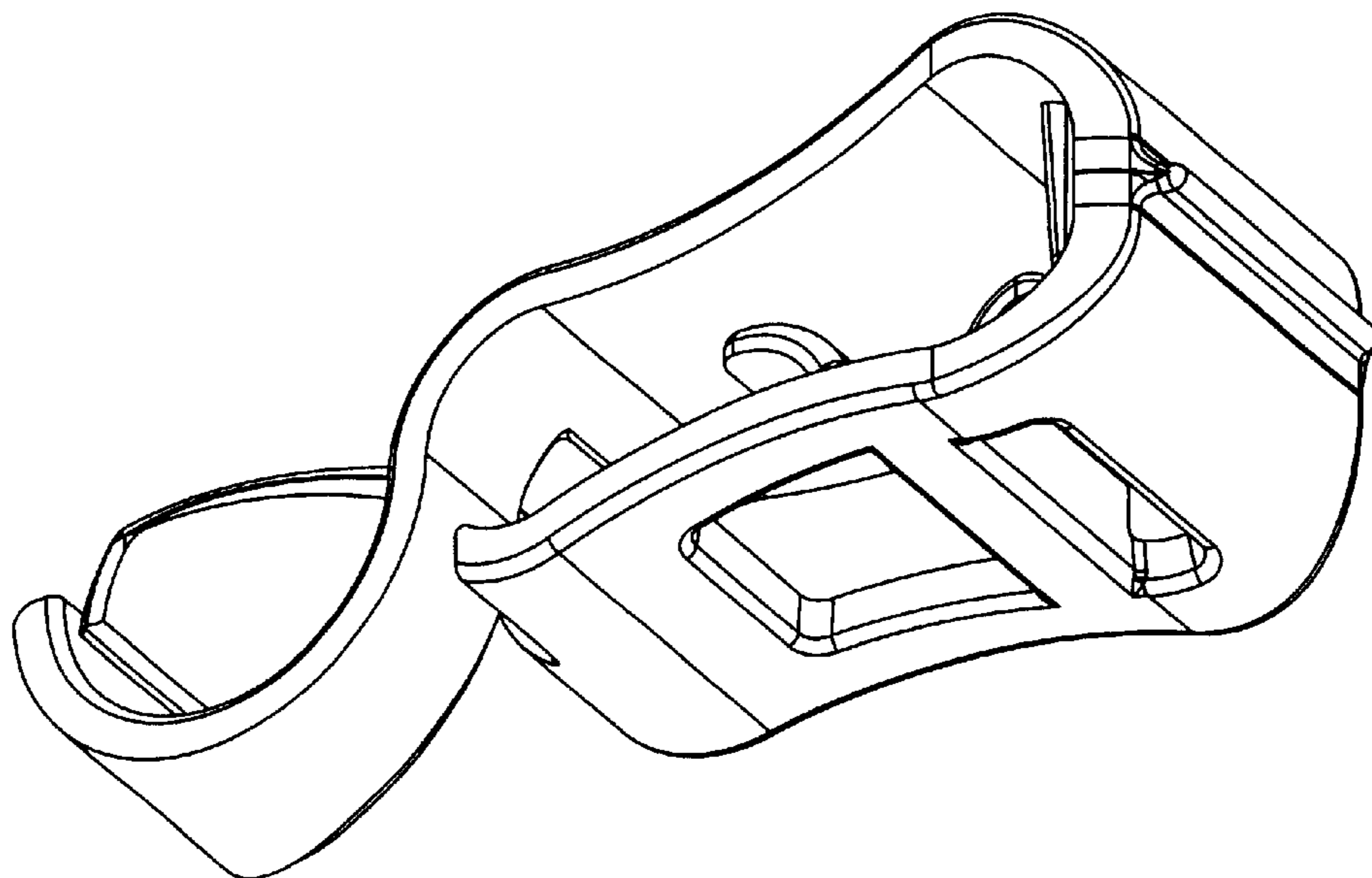


FIG. 2

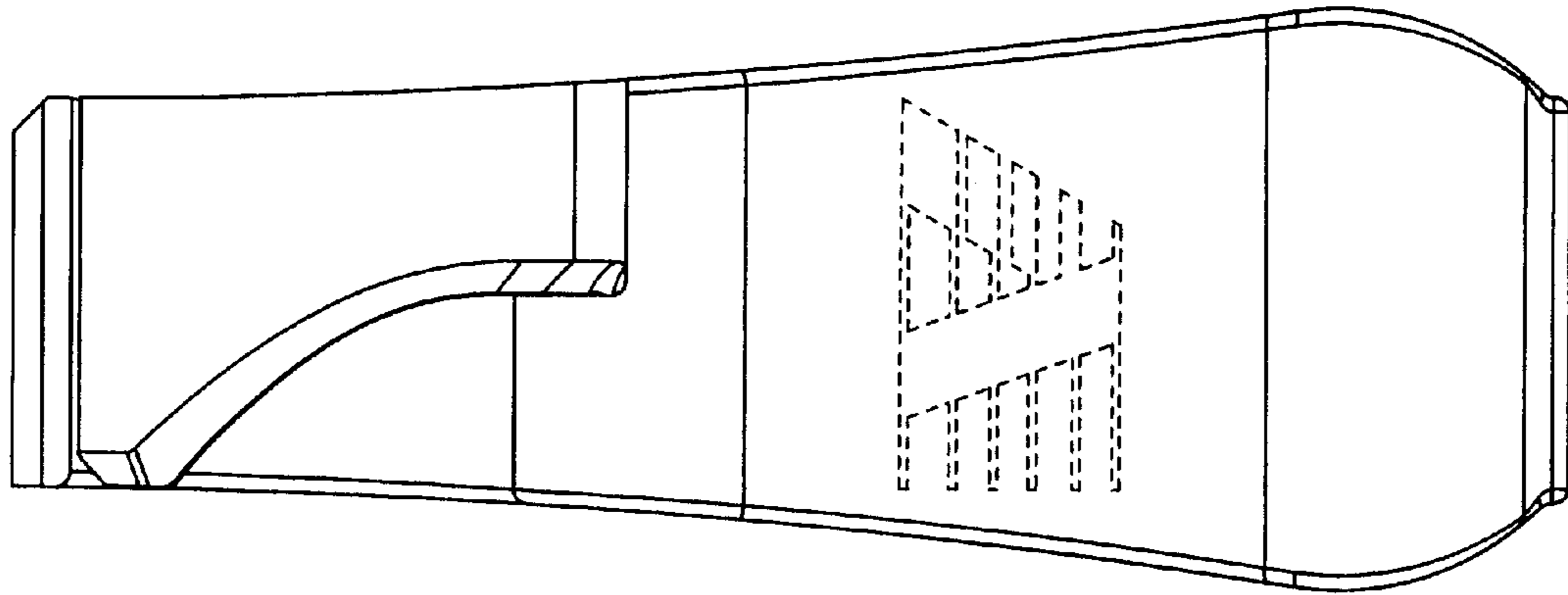


FIG. 3

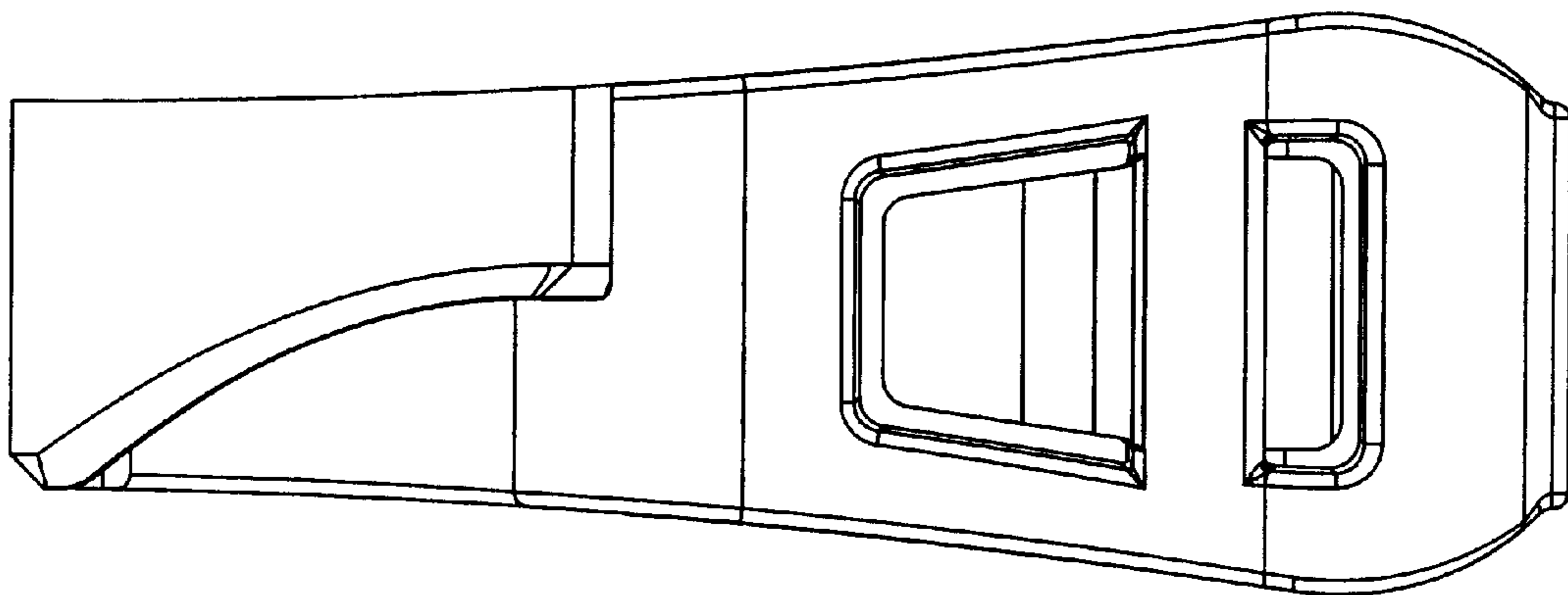


FIG. 4

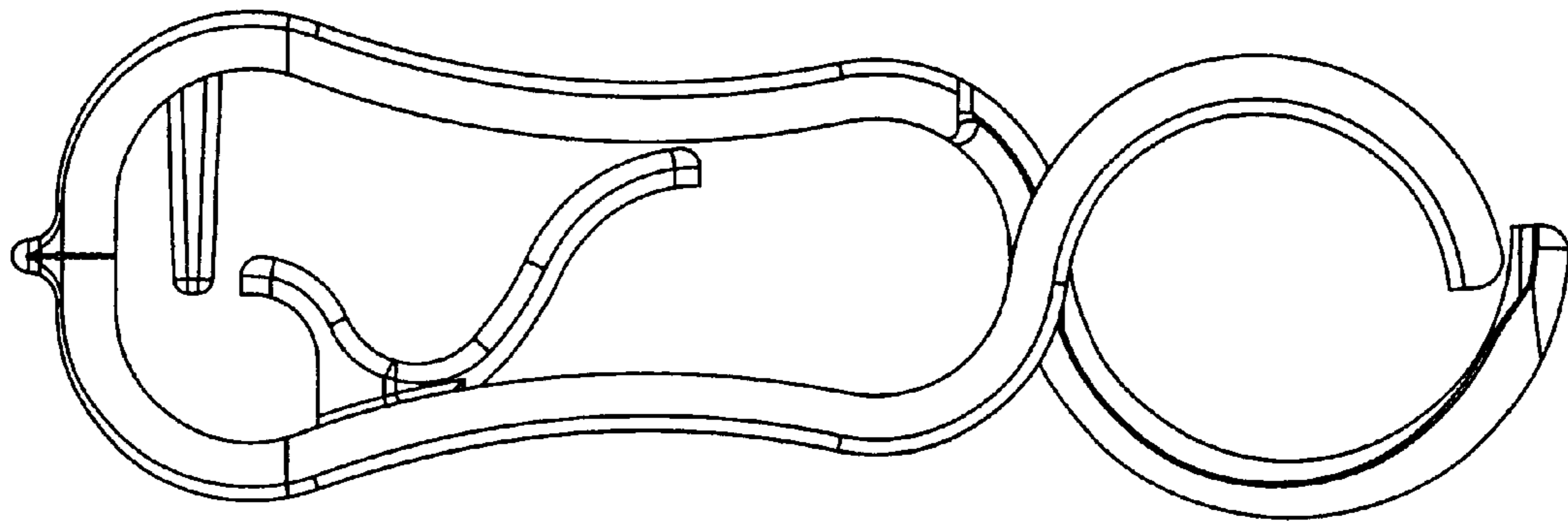


FIG. 5

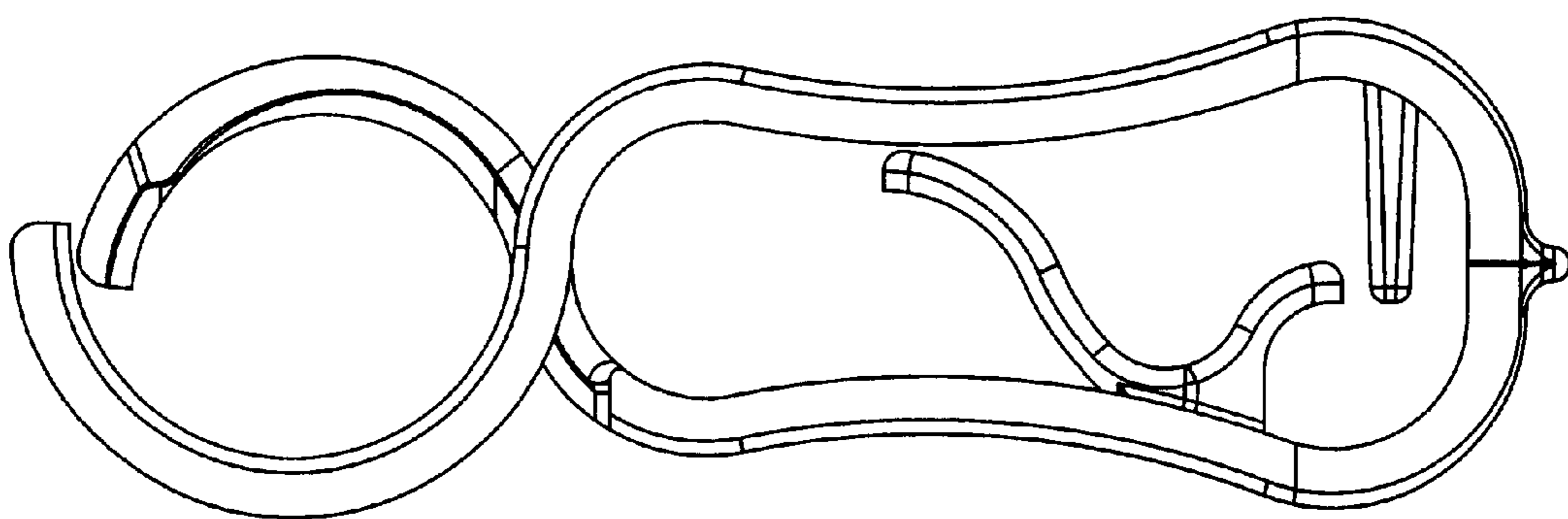


FIG. 6

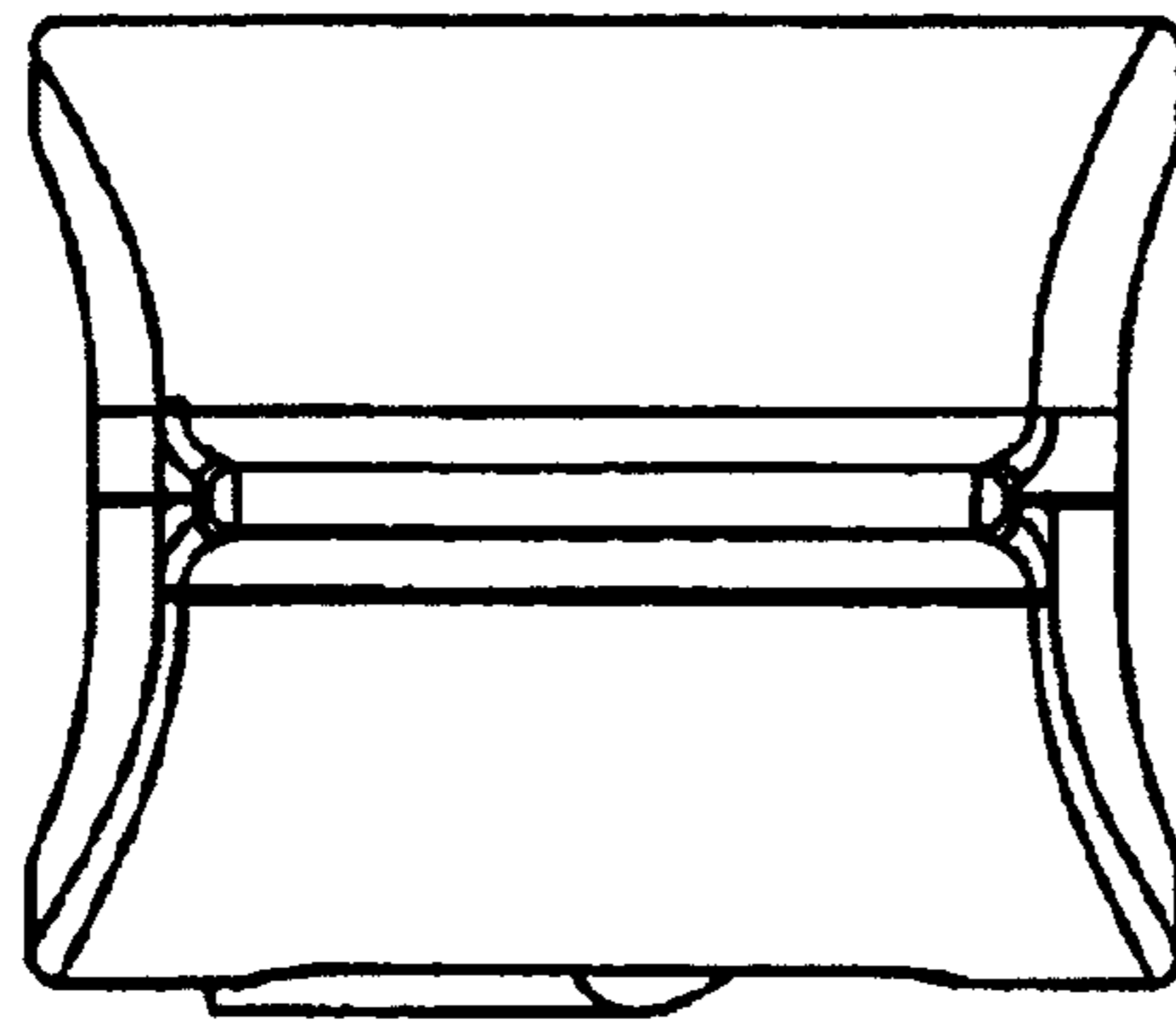


FIG. 7

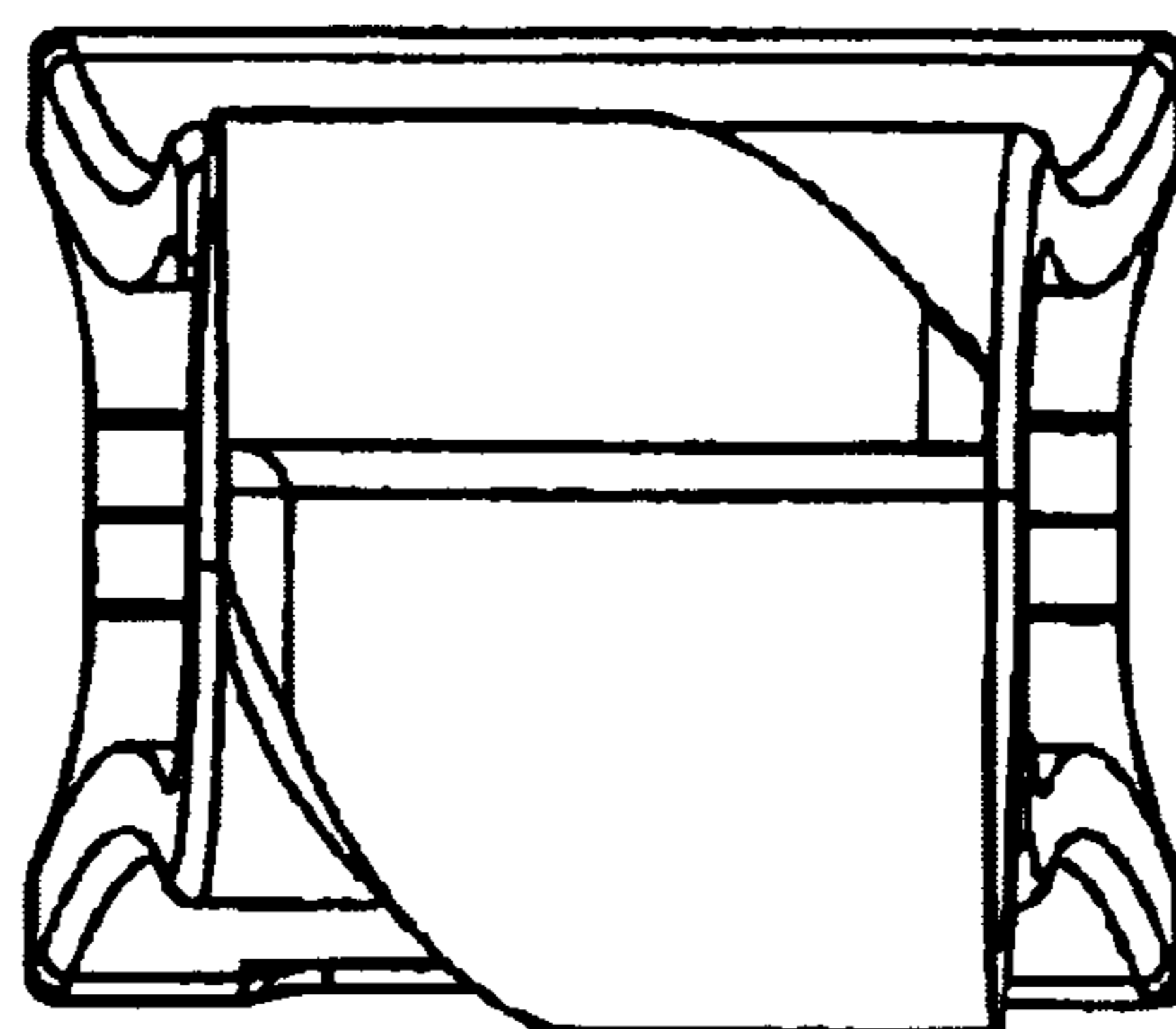


FIG. 8

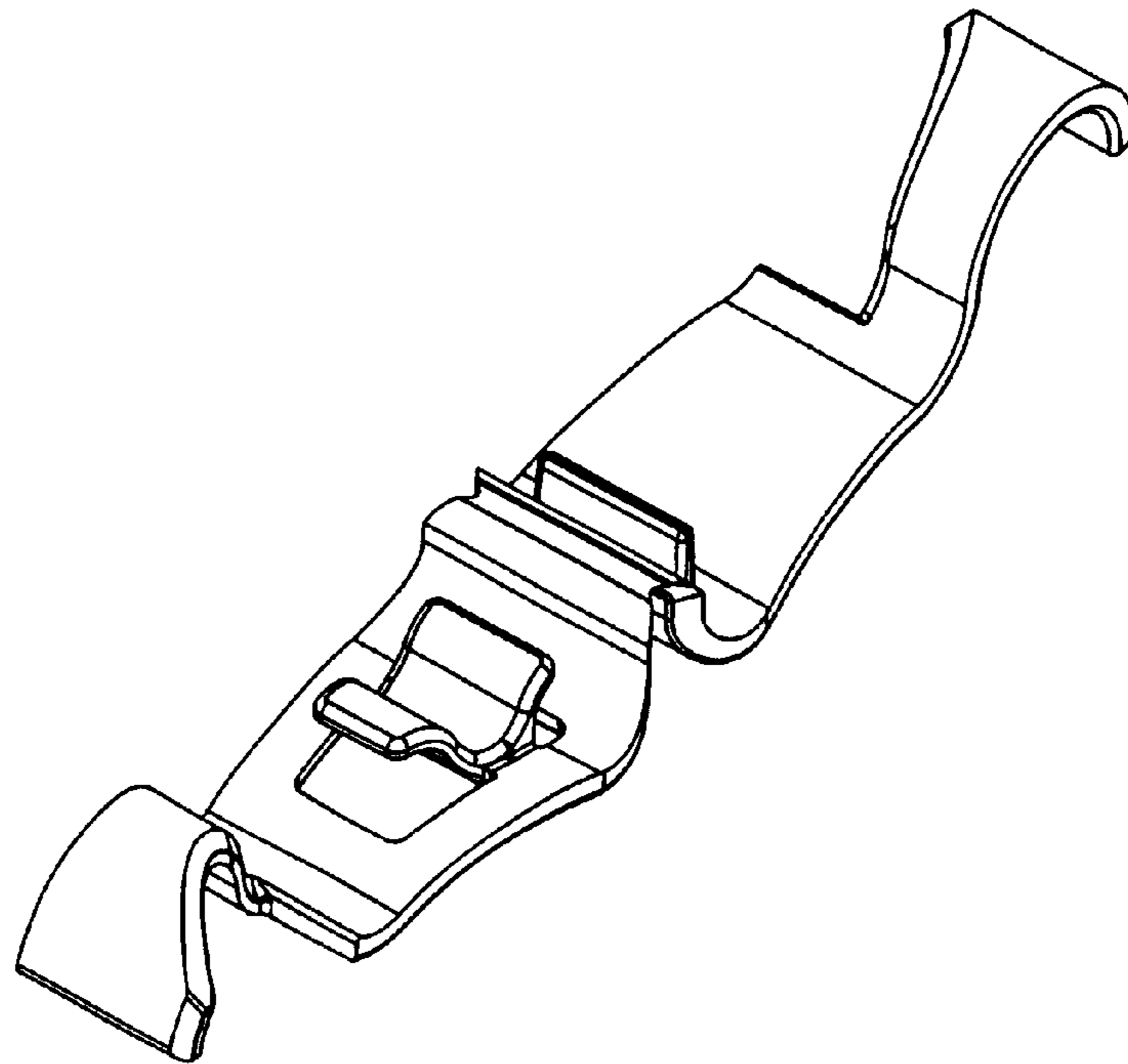


FIG. 9

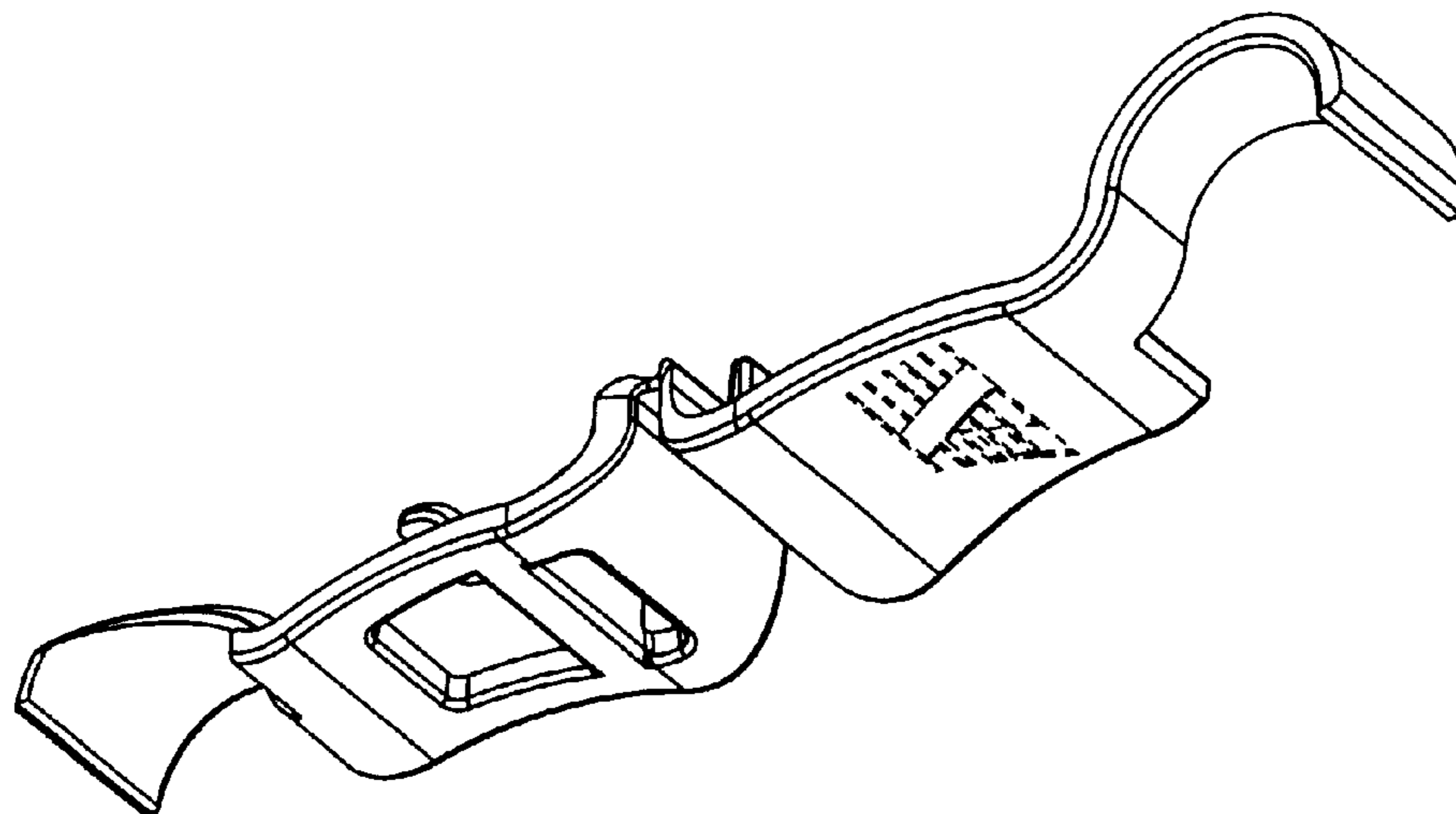


FIG. 10

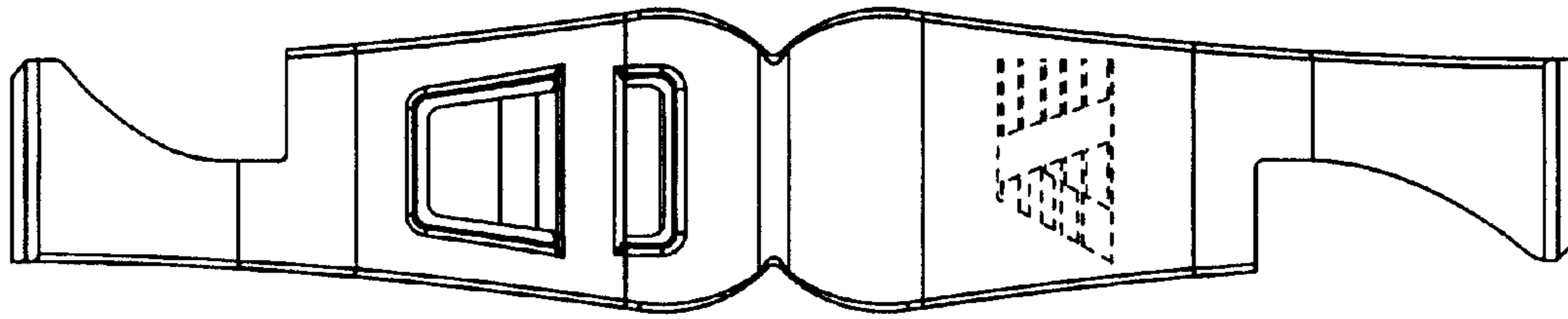


FIG. 11

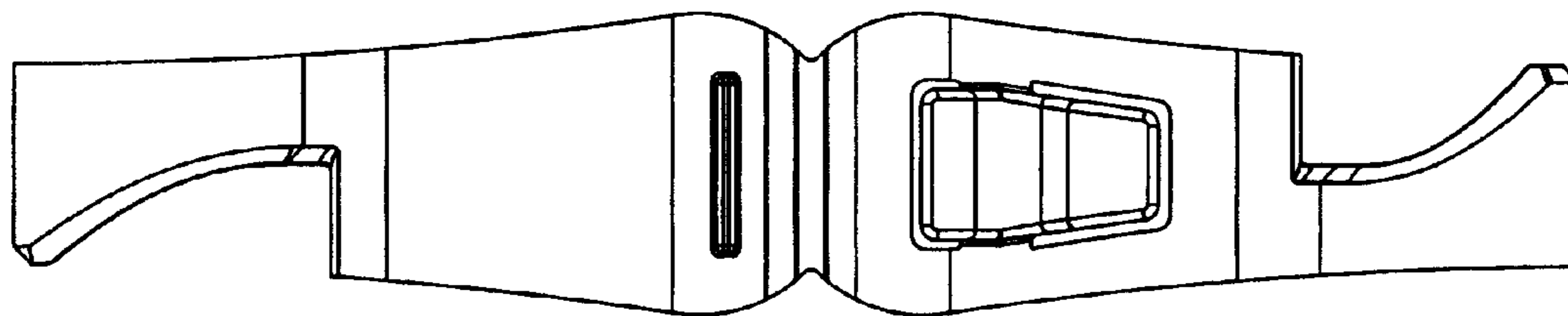


FIG. 12

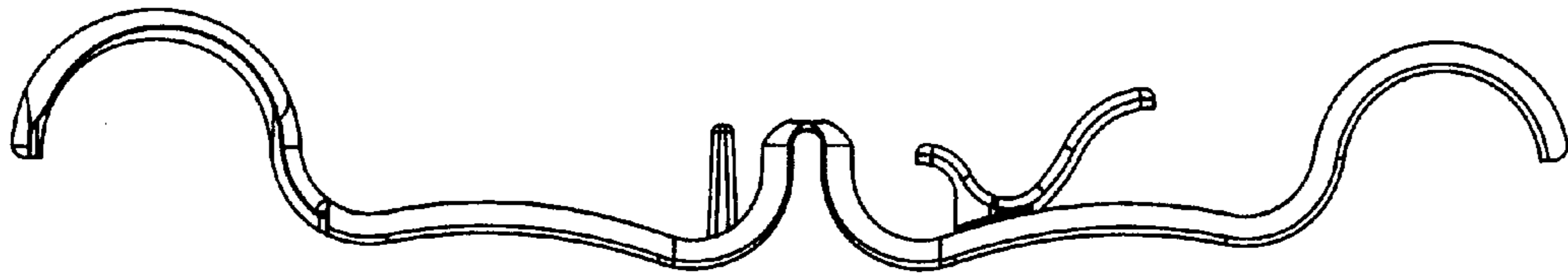


FIG. 13

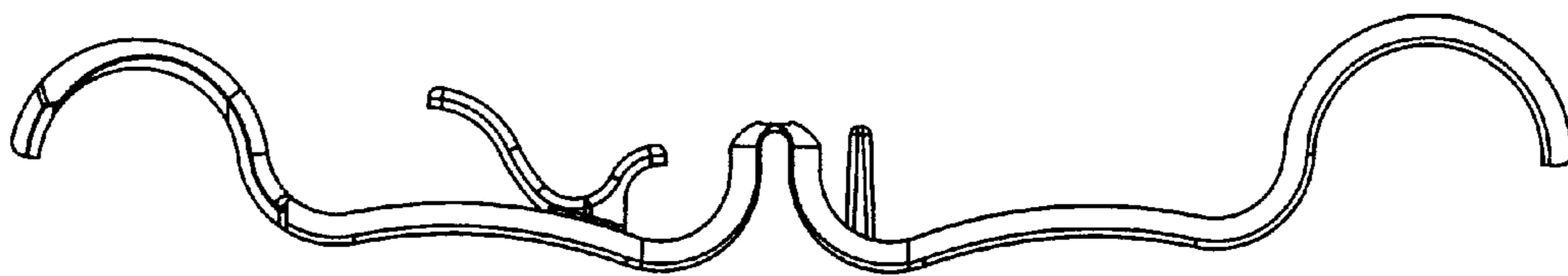


FIG. 14

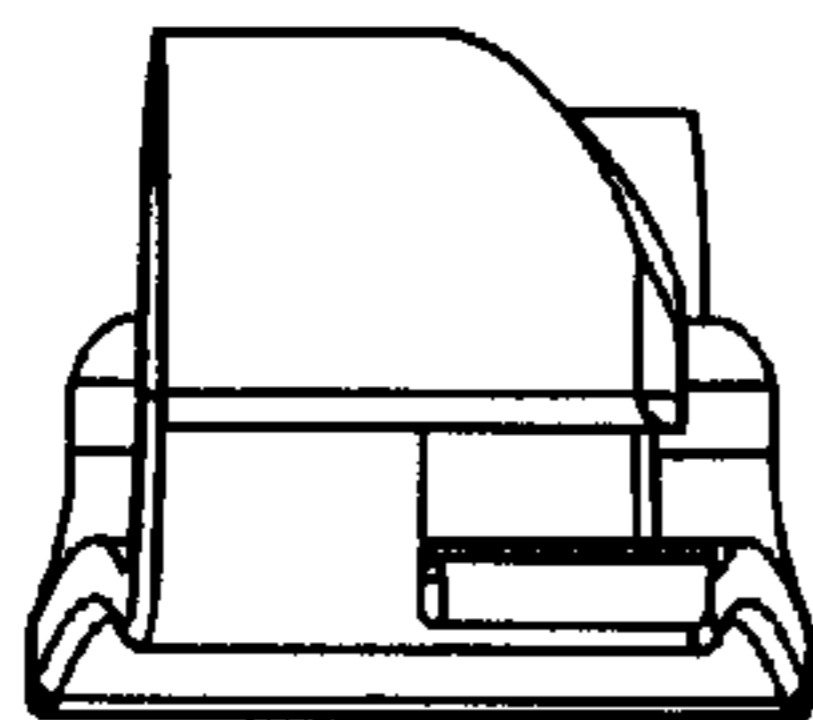


FIG. 15

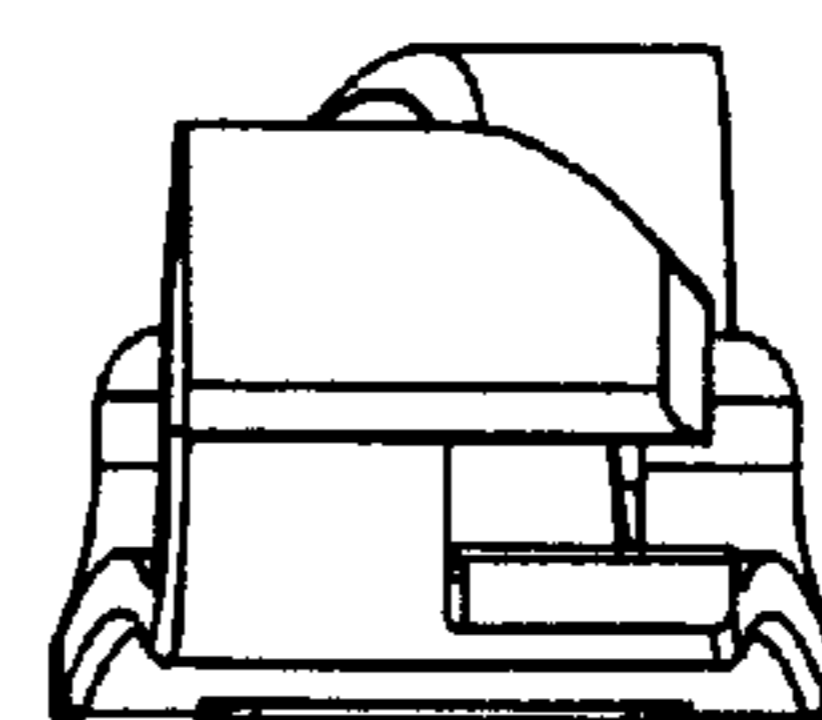


FIG. 16